



CACTUS STYLE CAT WATER FOUNTAIN

READ BEFORE YOU START

Please identify and sort all components shown below.

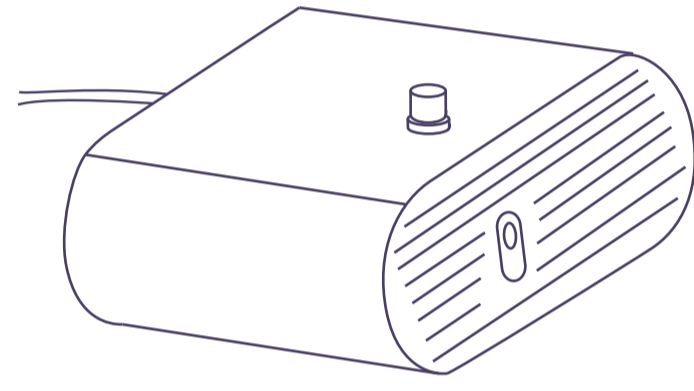
For any issues during installation, please ask for assistance at service@happyandpolly.com or check our YouTube Channel https://www.youtube.com/channel/UCbPD98rZ-jOYrTCQA_0eNLg.

SAFETY GUIDELINES TO PREVENT INJURIES

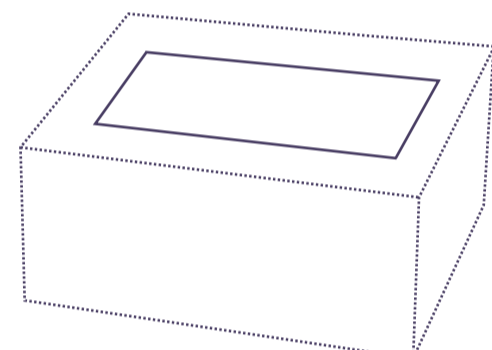
- When using electrical appliances, basic safety precautions must always be followed to avoid the risk of fire, electric shock, and/or injury to persons.
- To avoid the risk of injury, close supervision is necessary when any appliance is used by or near children.
- To protect against electric shock, do not place the electrical power cord or plug in water or other liquids.
- Indoor household use only. Do not use outdoors or run dry.
- Unplug the fountain, then disconnect the in-line plug.
- To avoid the risk of electric shock, do not place or store an appliance where it can fall or be pulled into a bathtub or sink.
- Always unplug an appliance when it is not in use, before putting on or taking off parts, and before cleaning.
- Do not use an appliance for anything other than its intended use.
- Do not allow pets to chew on or swallow any parts. If you are concerned about the power cord, purchase a cord conduit (a hard plastic protector) at any hardware store.
- Do not attempt repairs on the pump.
- To avoid the possibility of the plug or electrical outlet getting wet, the electrical outlet should always be above the level of the fountain.
- If an extension cord is necessary, an extension cord with a proper rating should be used.

IMPORTANT

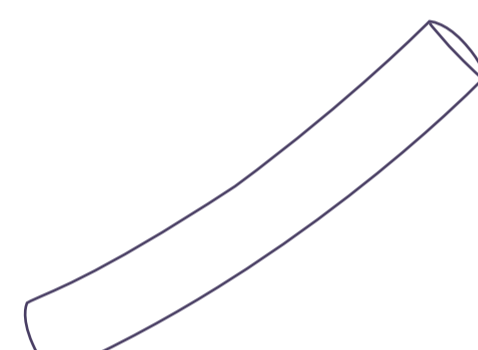
- Please identify and sort all components shown below.
- Only rinse the filter with water. Never wash the filter with soapy water as the soap residue will seep into the filter permanently.
- Use replacement filters authorized by Happy & Polly only. Using unauthorized filters may void the warranty.



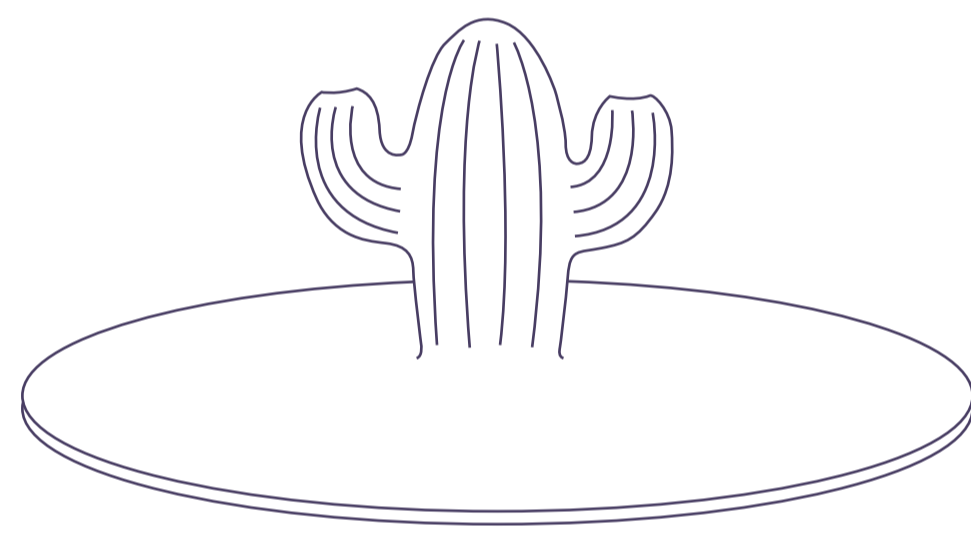
A Detachable Pump x 1



B External filter cotton x 1



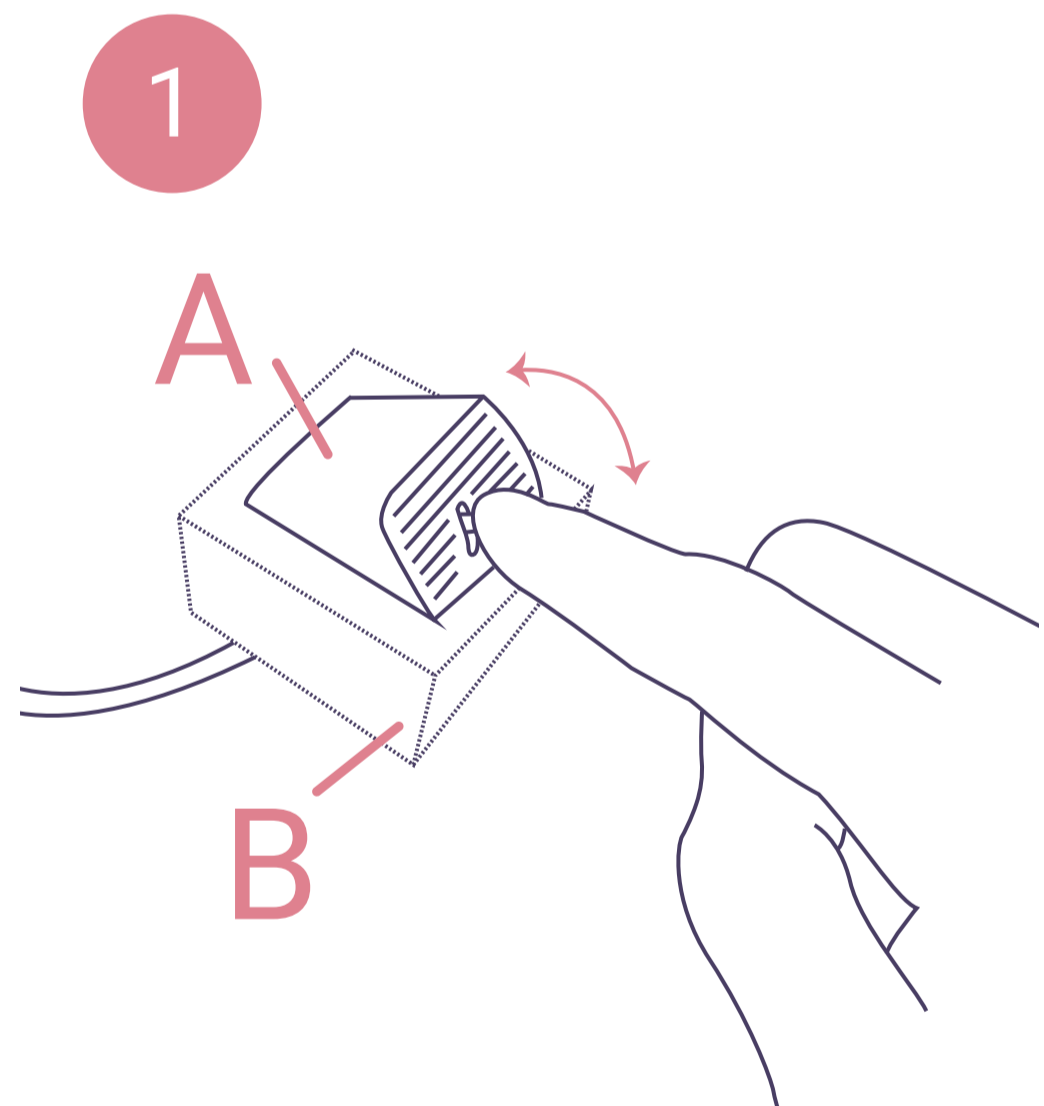
C Hose x 1



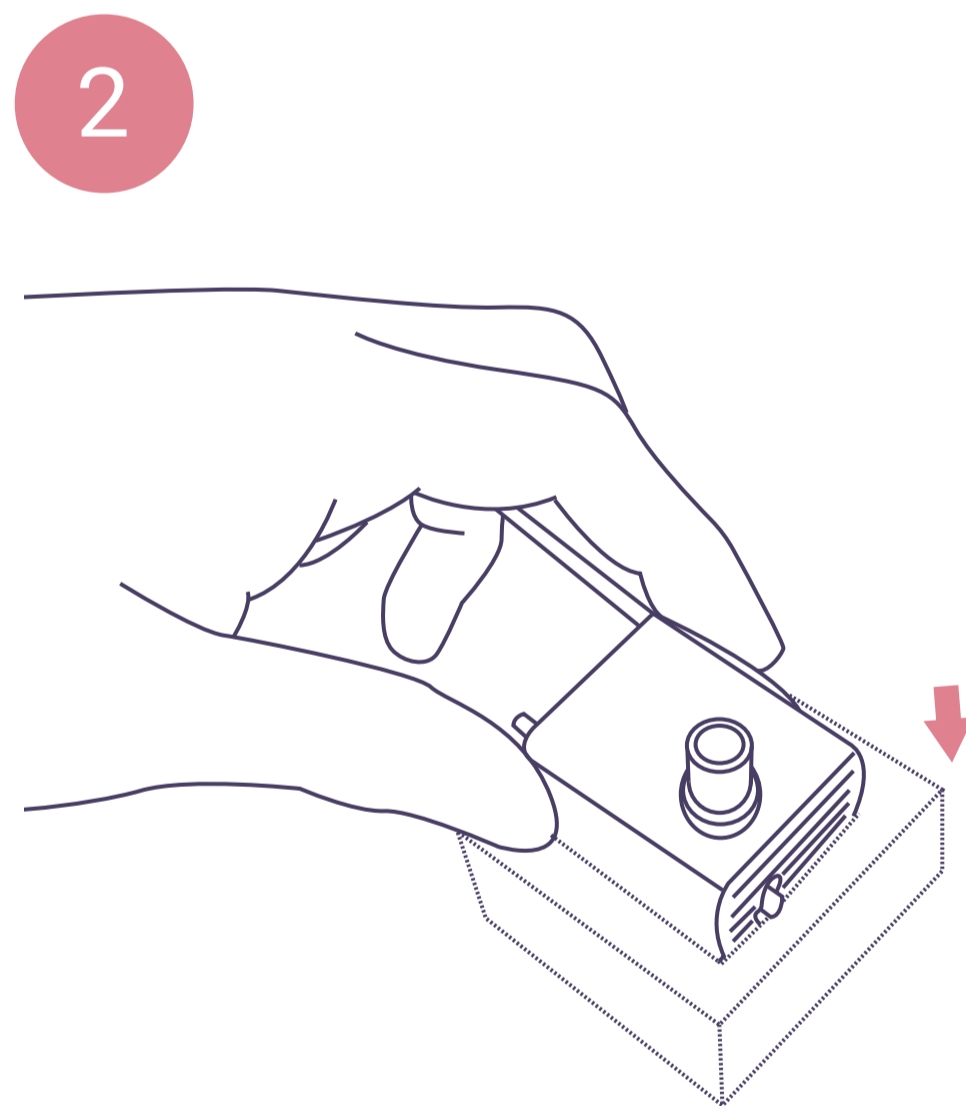
D Fountain With Detachable Lid x 1

ASSEMBLY INSTRUCTIONS

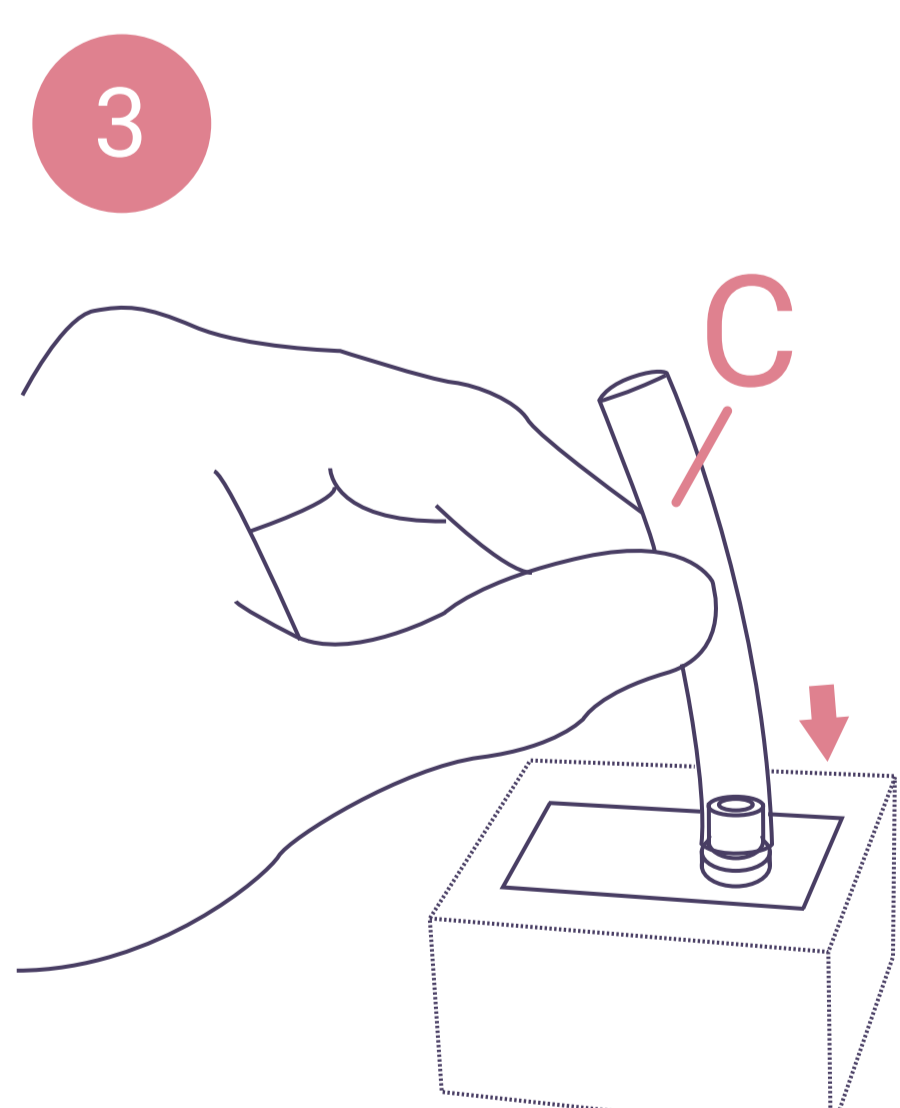
<https://www.youtube.com/watch?v=59rgkerunEc>



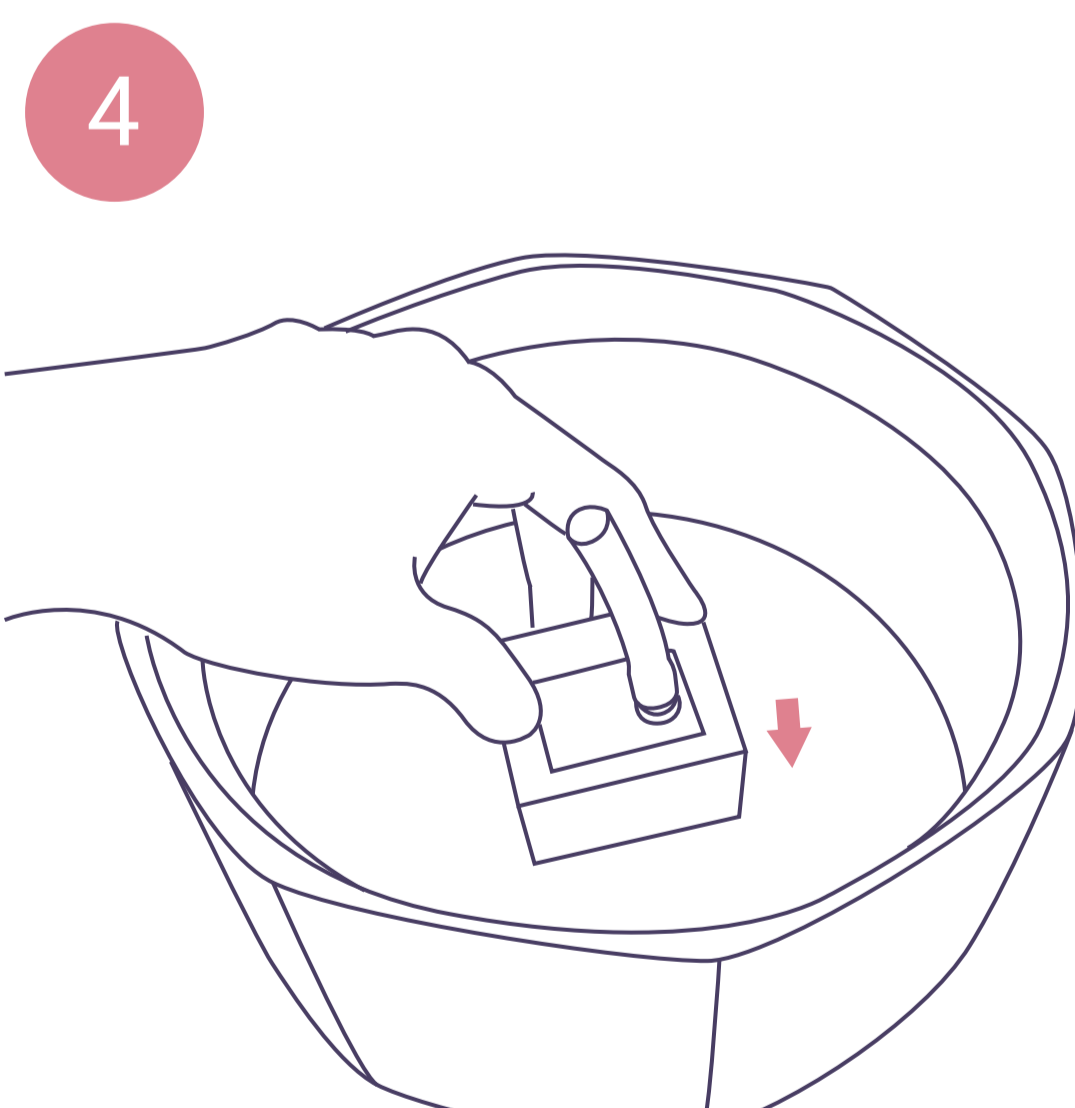
Switch the button to adjust the water flowing.



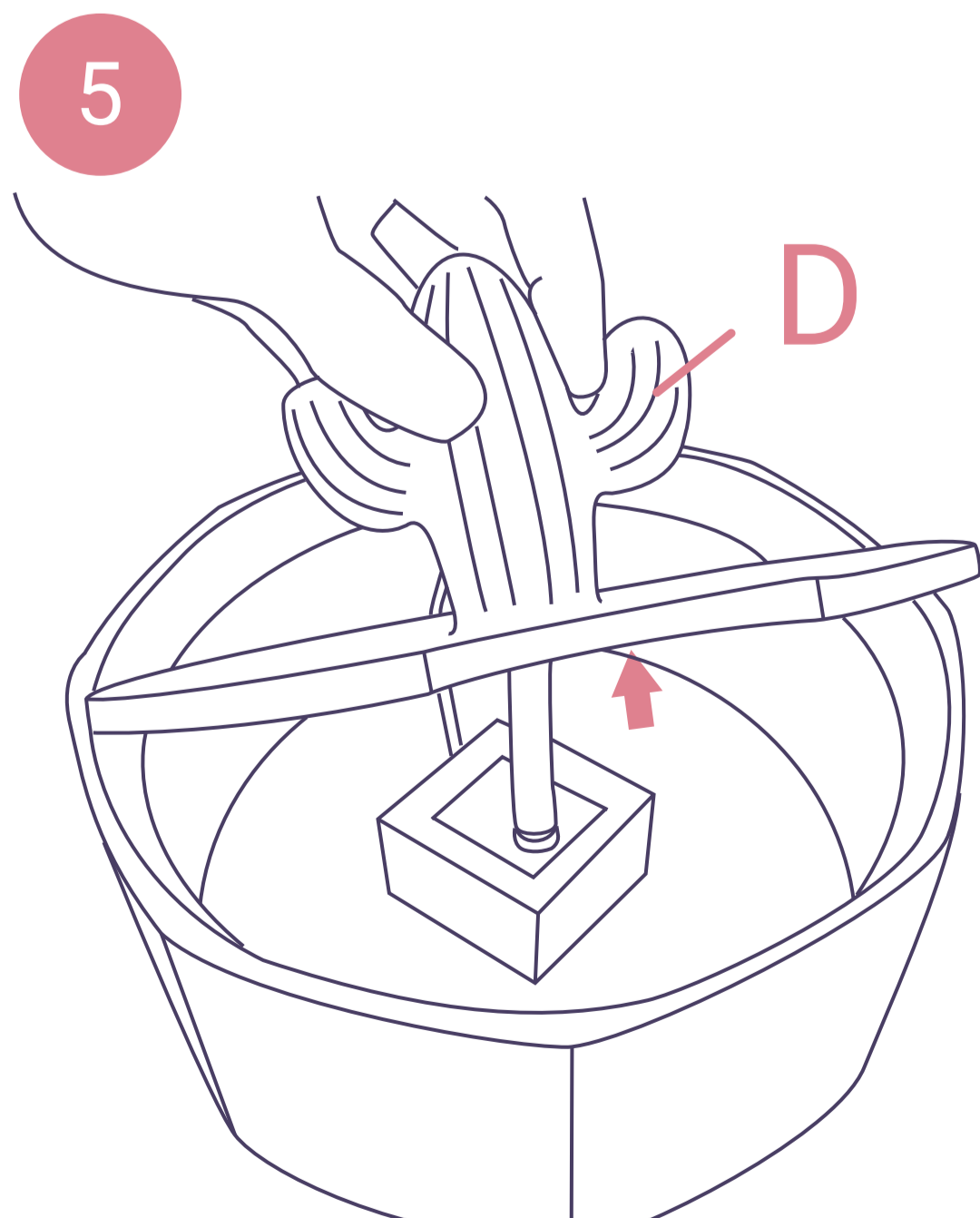
Put the pump into the black filter cotton frame.



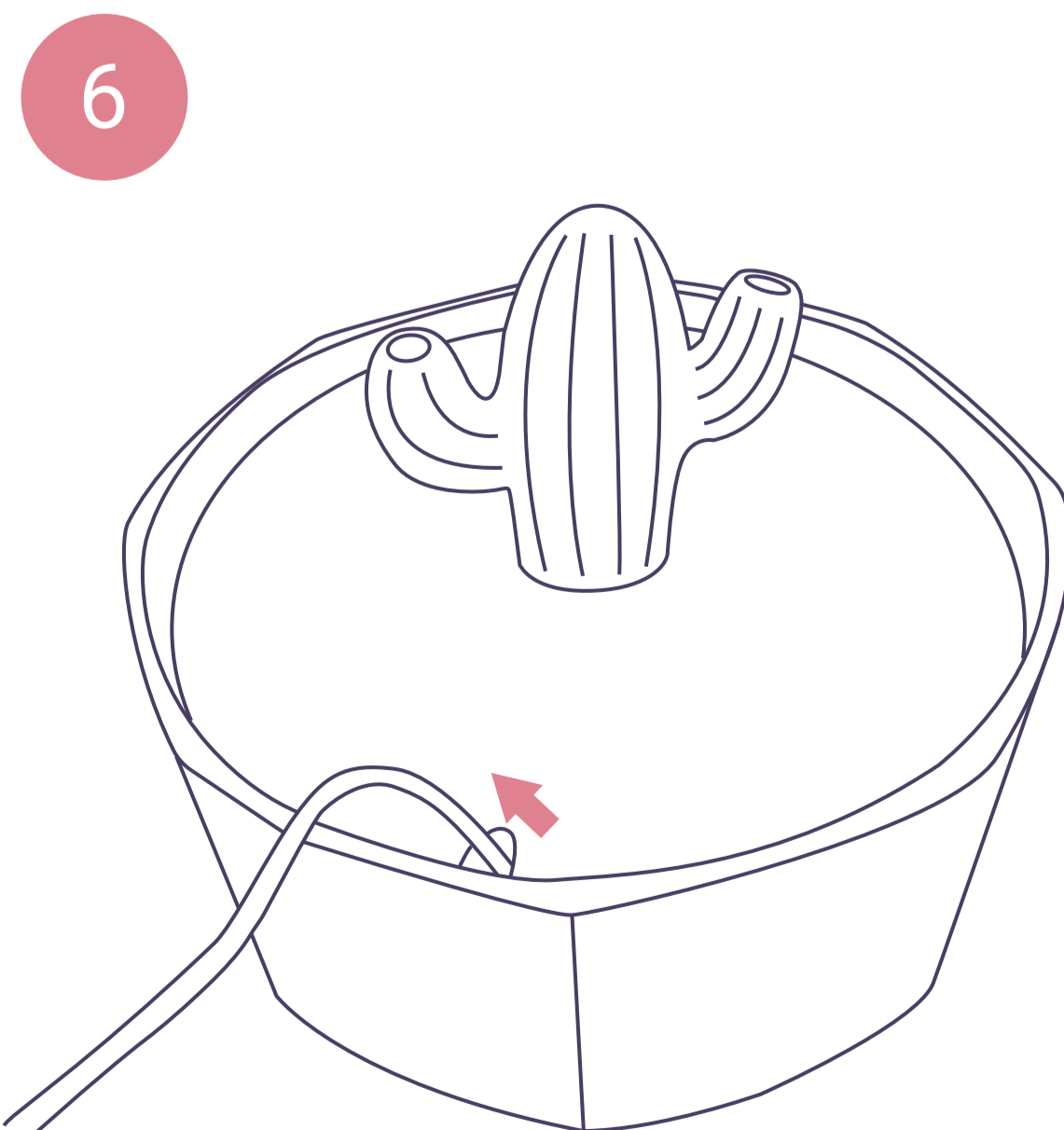
Connect with the hose.



Place the pump with the hose into the groove.



Let the hose through the cover.



Put on the cover, let the USB line pass through the small hole above the base.

CARE INSTRUCTION:

- When using for the first time, please rinse the filter box for 2 minutes to flush out impurities caused by collision.
- Clean the Water Fountain every 7 days.
- To achieve the ideal filtering effect, it is recommended to replace the filter box once a month.