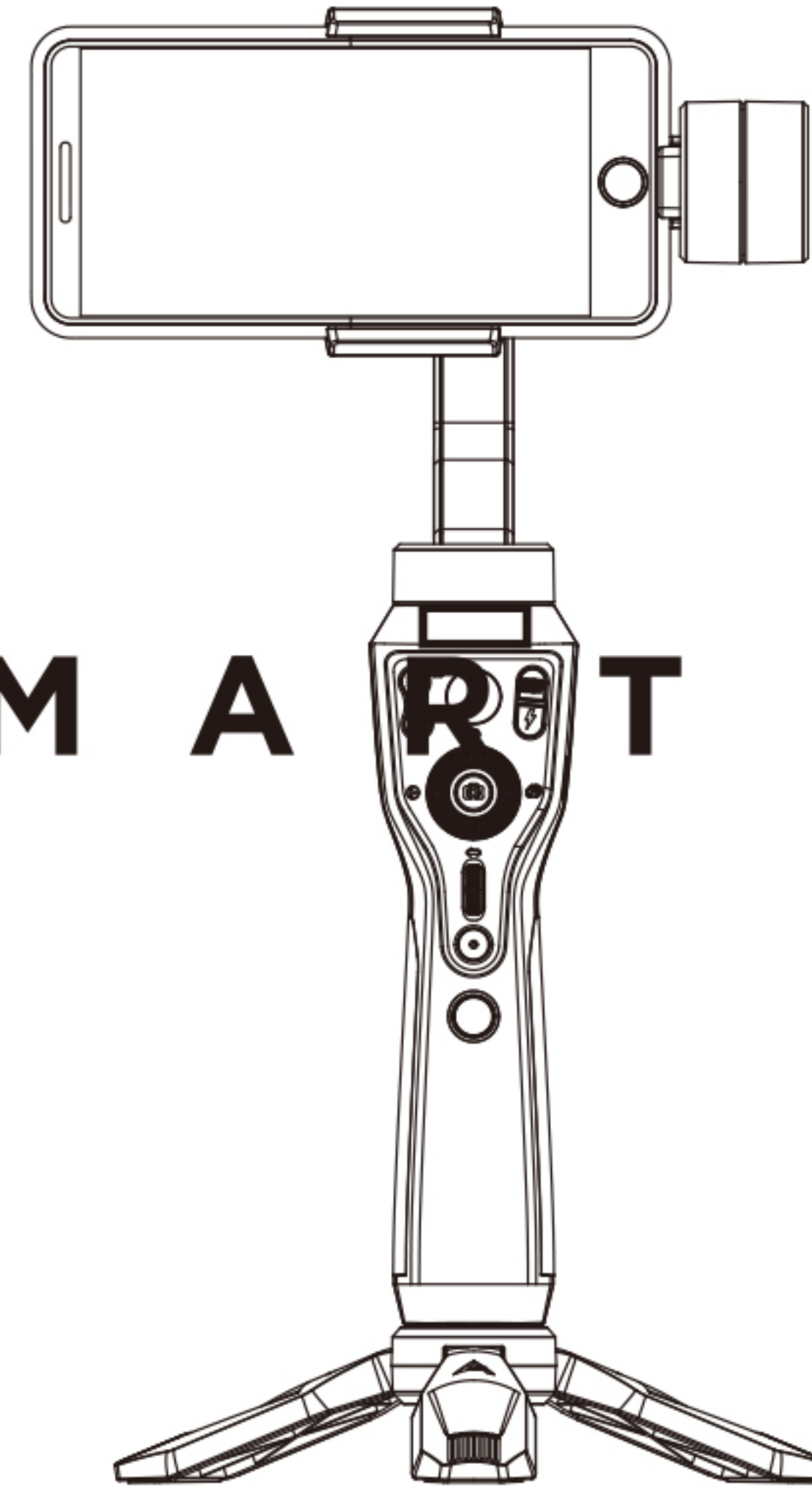




DESIGNED BY YANGGUO TECH



**S M A R T S 1**

中山市央果电子科技有限公司  
ZHONGSHAN YANG GUO ELECTRONIC TECHNOLOGY CO.,LTD.

地址：中山市小榄镇华园路9号

电话：+86(0)760-22289841

传真：+86(0)760-22289842

官网：www.yg-free.com

邮箱：as@yg-free.com

产品使用说明

便携三轴稳定器

**中文**

<b>产品清单</b>	4	<b>设备参数及功能支持</b>	
<b>使用四步曲</b>		设备参数	15
APP下载	5	功能支持	16
安装手机及调节平衡	5	<b>服务</b>	
连接APP	6	注意事项	17
获取使用教程	6	保修服务	18
<b>认识SMART S1</b>		保修卡片	19
产品概览	7		
电池及充电说明	8		
三脚架安装	8		
<b>功能介绍</b>			
操作面板介绍	9		
APP功能介绍	11		
工作模式介绍	13		
手调定位	14		
手机充电	14		

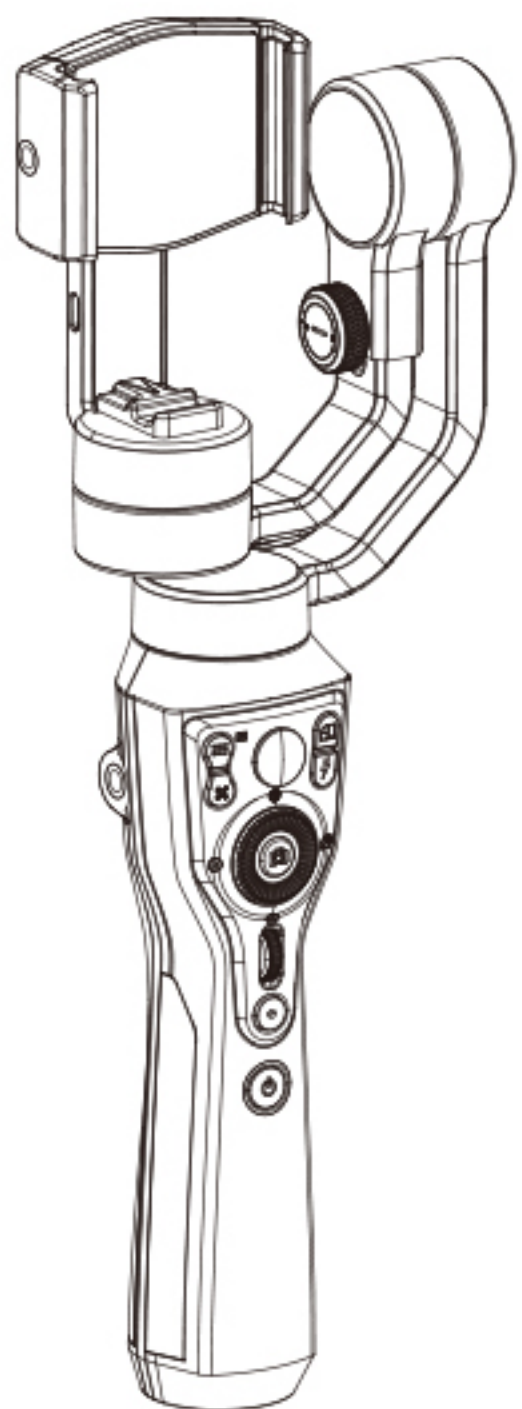
**EN**

<b>Product list</b>	20	<b>Product parameters and function support</b>	
<b>Four steps of using</b>		Device parameters	31
APP downloading	21	Function support	32
Install phone and adjust balance	21	<b>Services</b>	
Connect the APP	22	Matters needing attention	33
Get a tutorial on using	22	Warranty service	34
<b>Know the SMART S1</b>		Warranty card	35
Product overview	23		
Battery charging	24		
Tripod installation	24		
<b>Function introduction</b>			
Operation panel introduction	25		
APP function introduction	27		
Introduction of working mode	29		
Manual positioning	30		
Mobile phone charging	30		

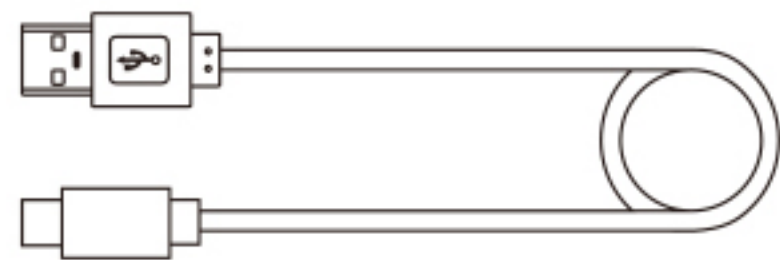


# 产品清单

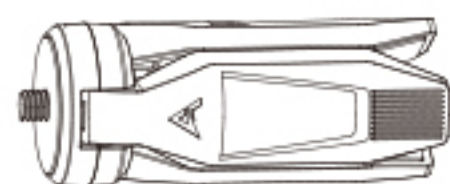
使用本产品前，请仔细检查产品包装内是否包含以下所有物品，若有缺失，请联系客服或您的代理商。



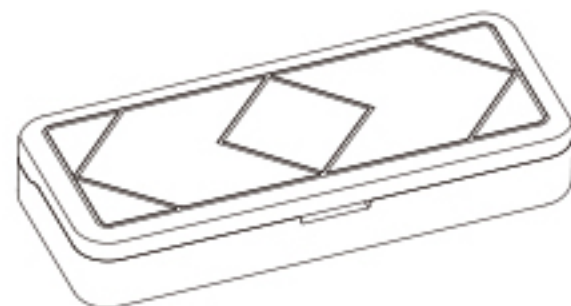
主机 x 1



Type-C USB 数据线 x 1



三脚架 x 1



收纳盒 x 1



说明书 x 1

# SMART S1使用四步曲

## 1. 下载APP

IOS可以通过App Store搜索“AC play”下载



IOS/苹果

Android可以通过下方二维码下载或在应用宝/谷歌Play应用平台搜索“AC play”下载



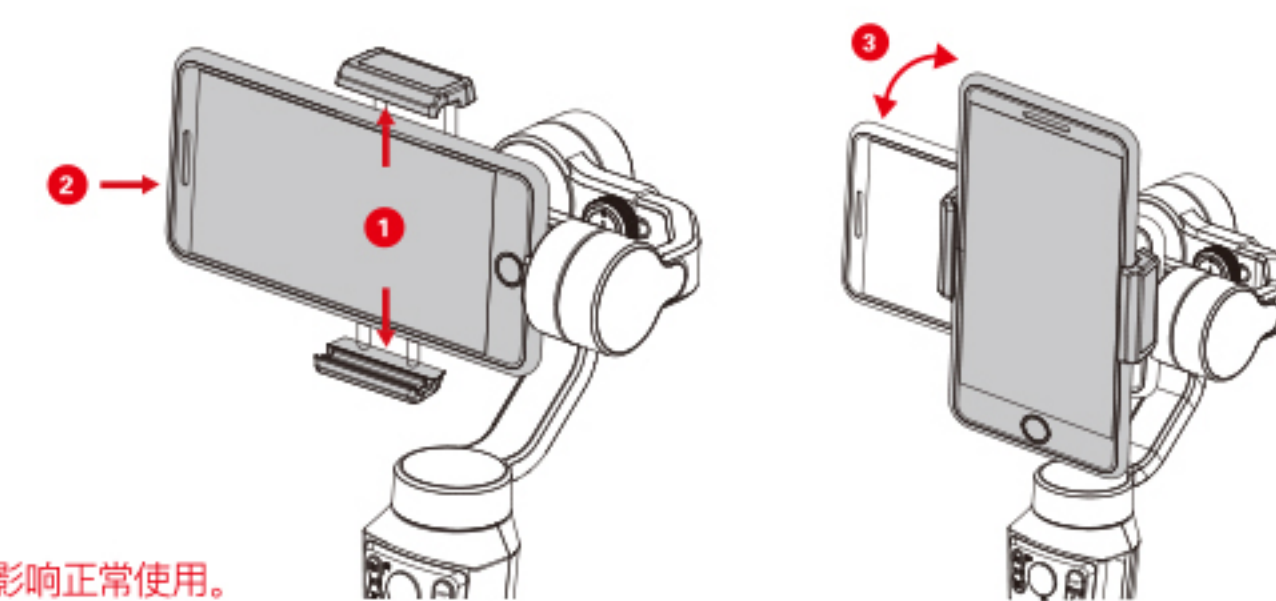
Google/谷歌



Android/安卓

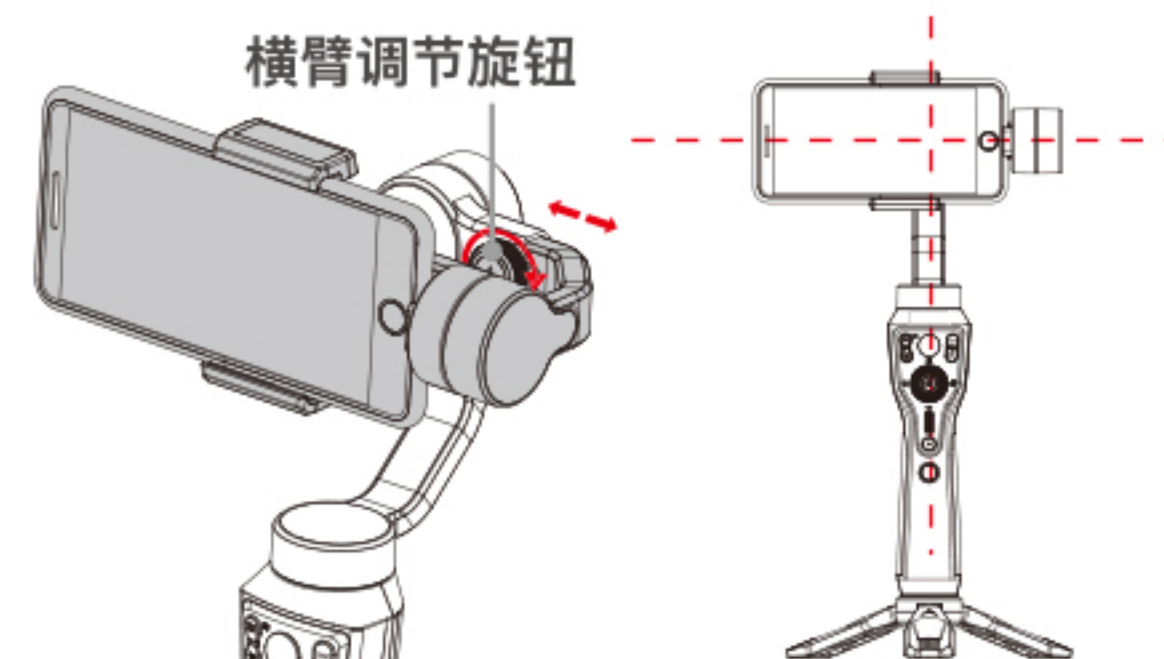
## 2. 安装手机及调节平衡

- 按图示方向拉开手机夹
- 装入手机，使手机右侧紧贴手机支架
- 然后直接旋转手机夹来调整手机的横竖拍方向。



⚠ 在未装入手机前，请勿开机。  
请确认手机后置摄像头处于云台外侧，确保不影响正常使用。

拧松横臂调节旋钮，向左或向右移动俯仰轴电机，使稳定器在如下图放置时，手机能保持左右水平不动，说明平衡适当。



⚠ 手机的平衡状态对稳定器的续航时间有很大影响。手机不平衡时稳定器仍可工作，但电机更多地消耗电量，同时用于增稳的扭力也会变小。



# SMART S1使用四步曲

## 3. 连接APP

1. 打开手机蓝牙, 打开稳定器电源。
2. 打开"AC Play", 选择与SMART S1对应的产品页面, 点击"立即连接"。

## 4. 获取使用教程



### 奥川订阅号:

品牌动态/视频教学/在线商城/业务合作, 更多精彩, 敬请关注。

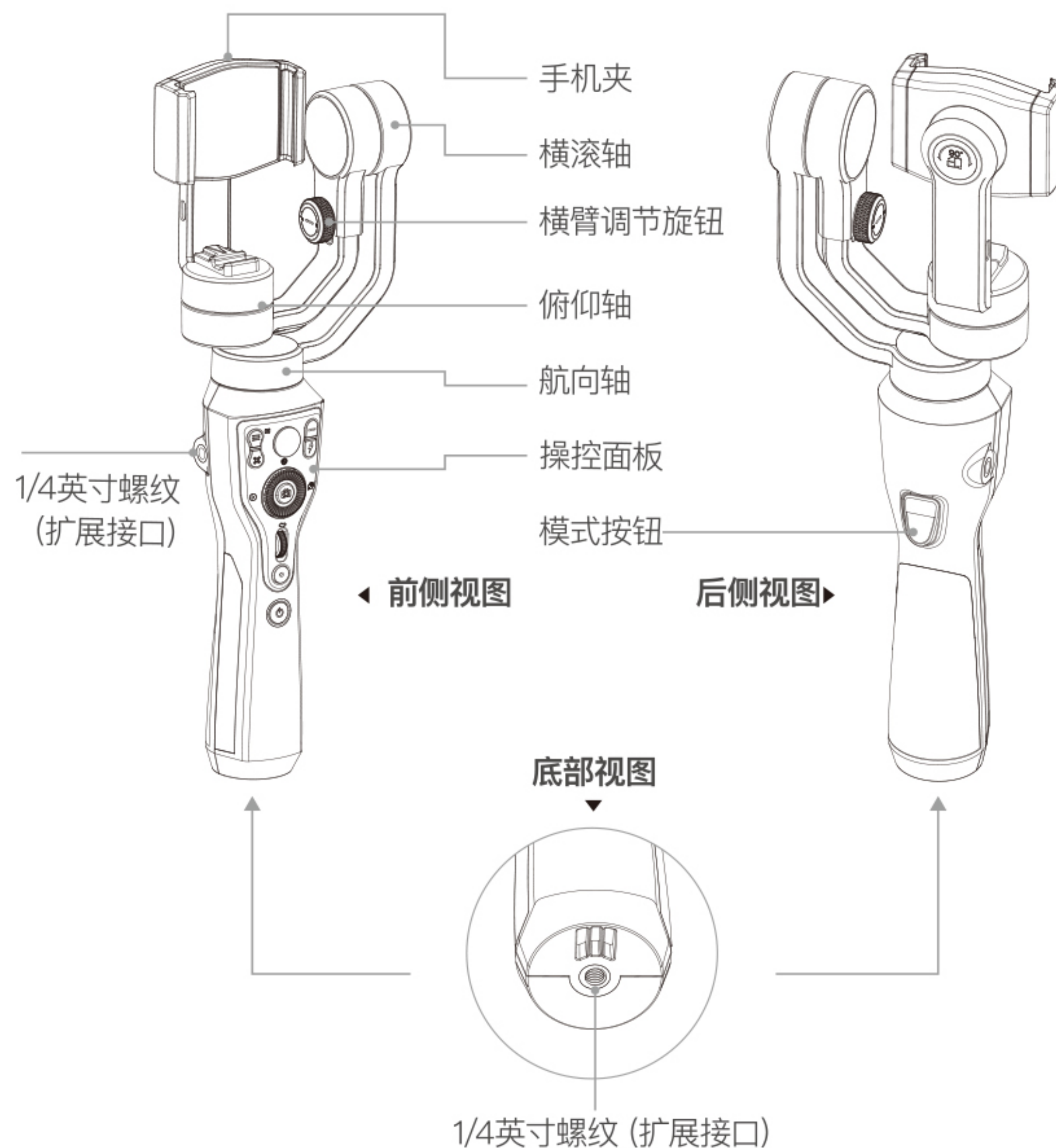


### 官方抖音号:

关注抖音更多视频教学及精彩视频不断更新。

# 认识SMART S1

## 产品概览



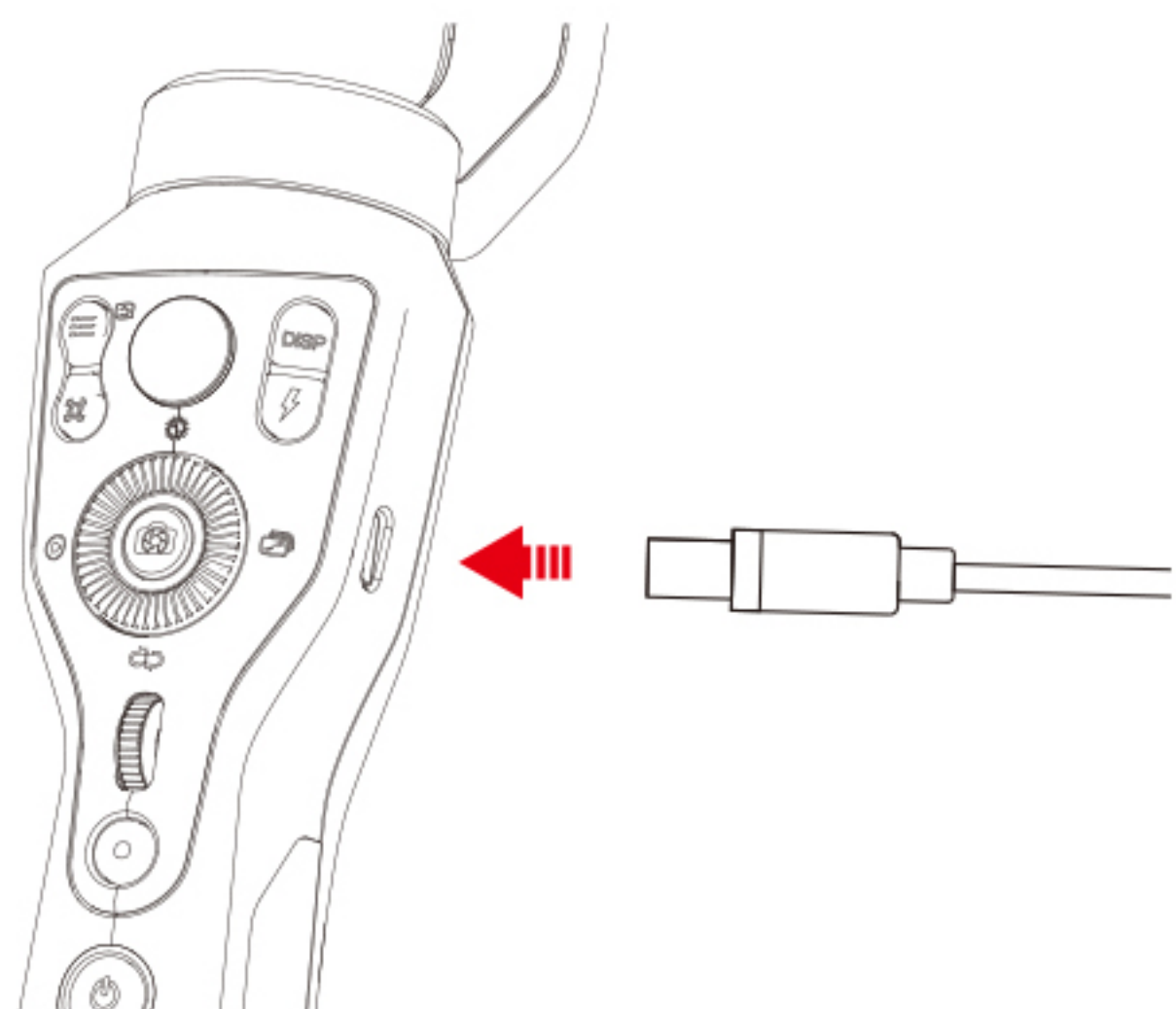


# 认识SMART S1

## 电池及充电说明

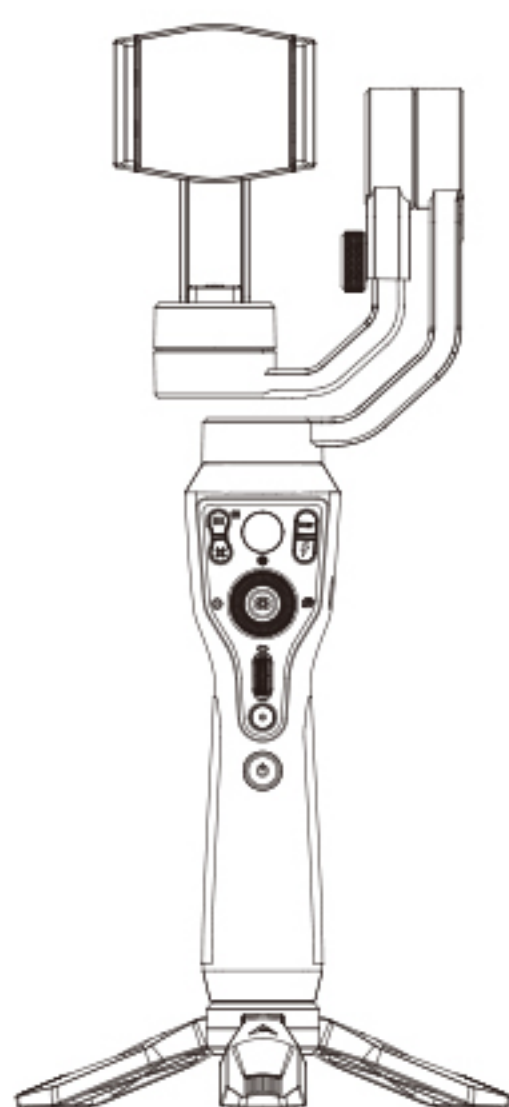
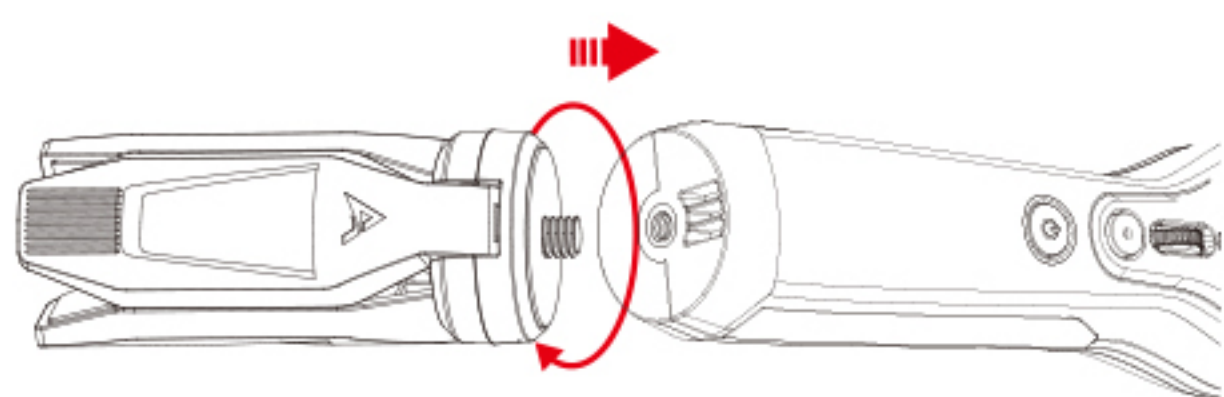
SMART S1内置锂电池, 首次使用前, 充电指示灯长亮, 蓝色状态为充满; 再继续充电1小时, 可保证电池寿命延长。

**充电方法:** 使用包装内提供的Type-C线连接适配器和稳定器进行充电。



## 三脚架安装

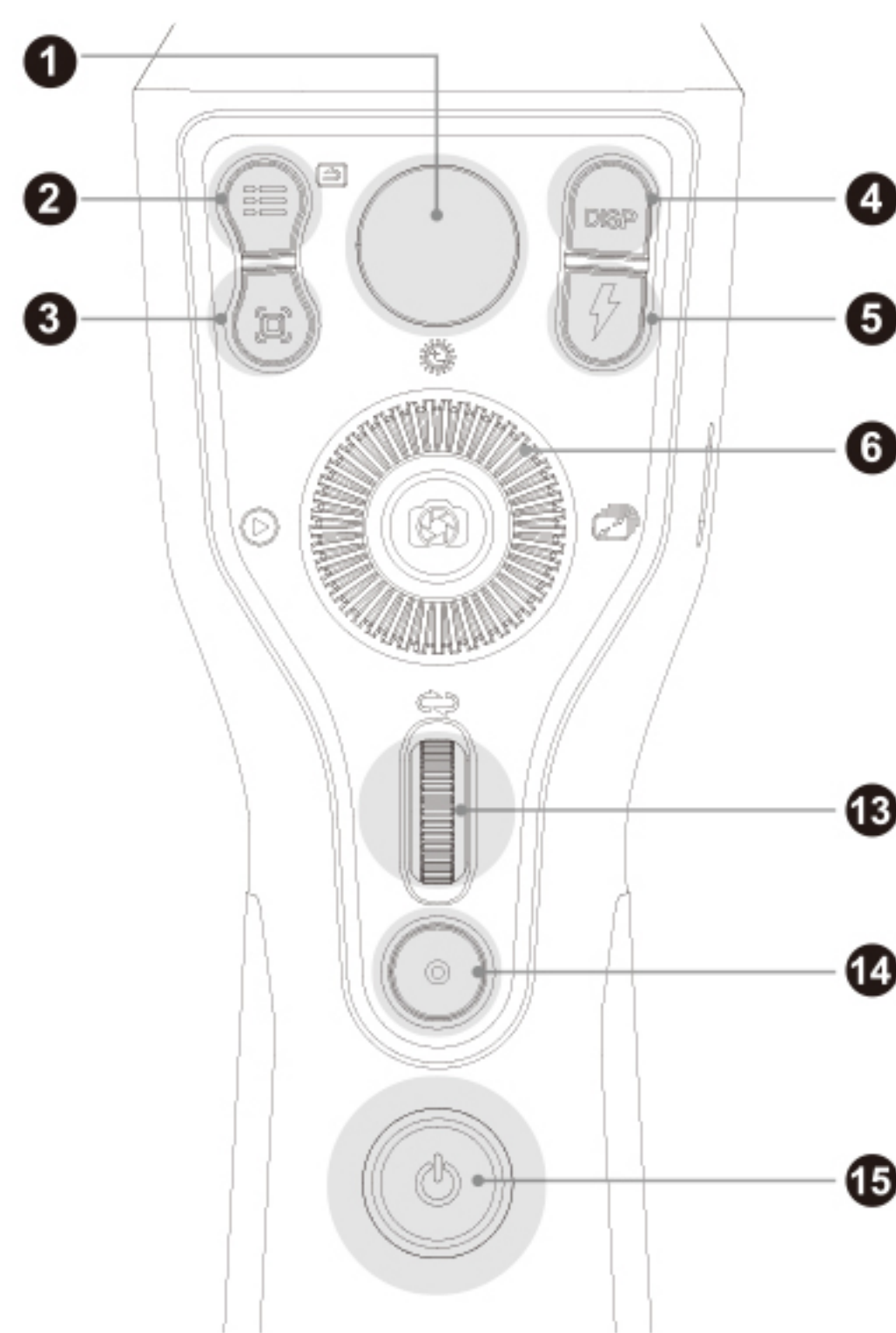
取出三脚架, 将三脚架拧紧到稳定器底部1/4螺口中, 然后打开三脚架将稳定器放在水平面上。



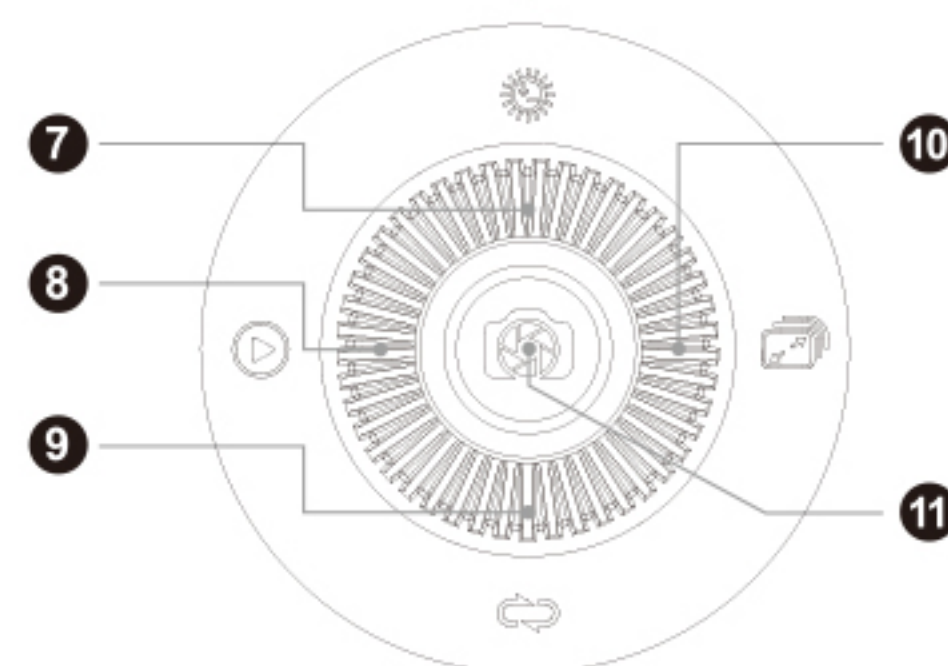
# 功能介绍

## 操作面板介绍

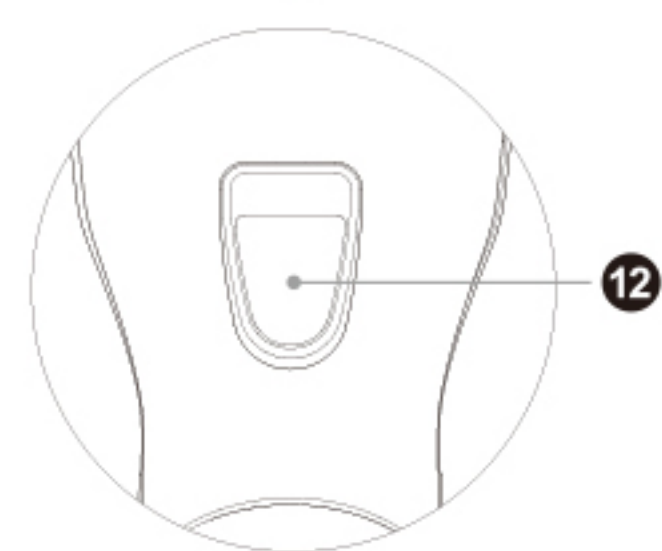
- 1 万向摇杆**
  - 控制手机镜头上下左右移动
- 2 菜单/返回键 { ☰ / ↩ }**
  - 每单击切换 { 📷 / 📷 } 或者退出
  - 在菜单中单击返回上一级
- 3 跟随切换 { 🔄 }**
  - 每单击切换物体跟随/人脸跟随/关闭跟随
- 4 DISP键 { DISP }**
  - 单击弹出手机相机参数
  - 单击退出
- 5 闪光灯键 { ⚡ }**
  - 每单击切换关闭/开启/自动/常亮
- 6 拨轮**
  - 进入功能菜单 上下切换



拨轮局部放大图



背面模式按键





# 功能介绍





## 操作面板介绍

- 7 定时切换 {  }**
  - 每单击切换定时3秒/5秒/关闭切换
- 8 相册模式键 {  }**
  - 单击进入相册, 回看照片和视频
  - 在相册单击返回
- 9 切换摄像头 {  }**
  - 单击切换手机镜头反转
- 10 变焦/聚焦切换 {  }**
  - 每单击切换变焦/聚焦  
(结合调焦滚轮实现变化)
- 13 调焦拨轮**
  - 拨动滚轮实现镜头调焦变焦。
- 15 电源键 {  }**
  - 指示灯亮起红色时电量为: 0%–20%
  - 指示灯亮起绿色时电量为: 20%–60%
  - 指示灯亮起蓝色时电量为: 60%–100%
  - 指示灯亮起蓝色闪烁为充电状态, 蓝色全亮为完成充满状态。
- 11 拍照与选择键 {  }**
  - 单击拍照/确定键
- 12 模式切换键**
  - 模式键单击: 切换半跟随/全跟随/全锁定
  - 模式键双击: 归位
  - 模式键三击: 盗梦空间
  - 模式键长按不放: 快速转场
  - 模式键四击: POV模式
- 14 录像键 {  }**
  - 单击开始或停止录像
  - 双击切换拍照/录像

# 功能介绍

## APP功能介绍



- 01 **  
**设置** 相机设置、云台设置。
- 02 **  
**相机功能** 滤镜、定时、美颜、HDR、防抖、白平衡、网格、手动模式。
- 03 **  
**闪光灯** 【开启/关闭/自动/常亮】闪光灯功能。
- 04 **  
**拍摄功能** 慢动作、延时拍摄、移动延时、连拍、长曝光、全景、人脸拍。



# 功能介绍

## APP功能介绍

05 

蓝牙【连接/断开】功能。

06 

退出 返回主界面

07 

人脸/物体跟踪

08 

镜头翻转

09 

录像/拍照

10 

录像/拍照 切换

11 

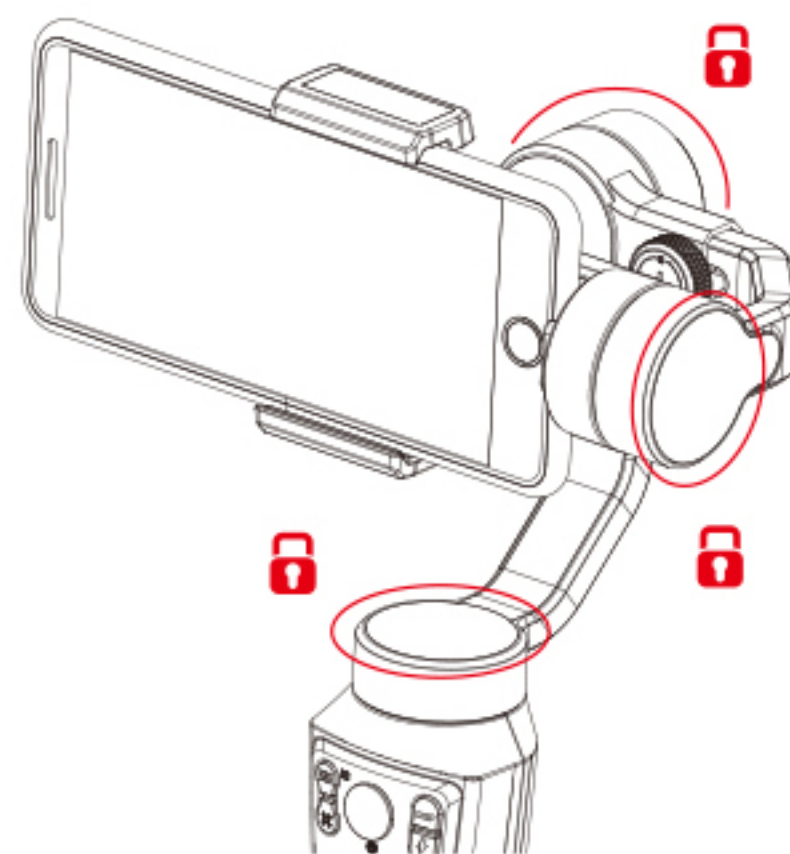
相册 进入照片/视频查看。

# 功能介绍

## 工作模式介绍

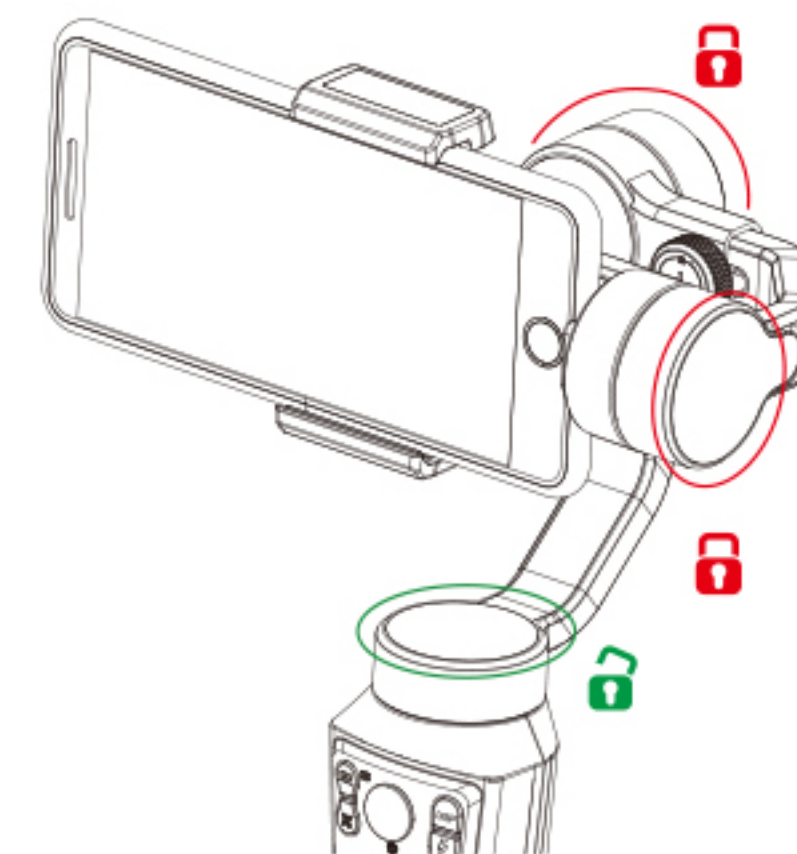
### 全锁定: 航向+俯仰+横滚锁定

三个电机全部锁定, 相机镜头将始终保持当前拍摄方向不变。



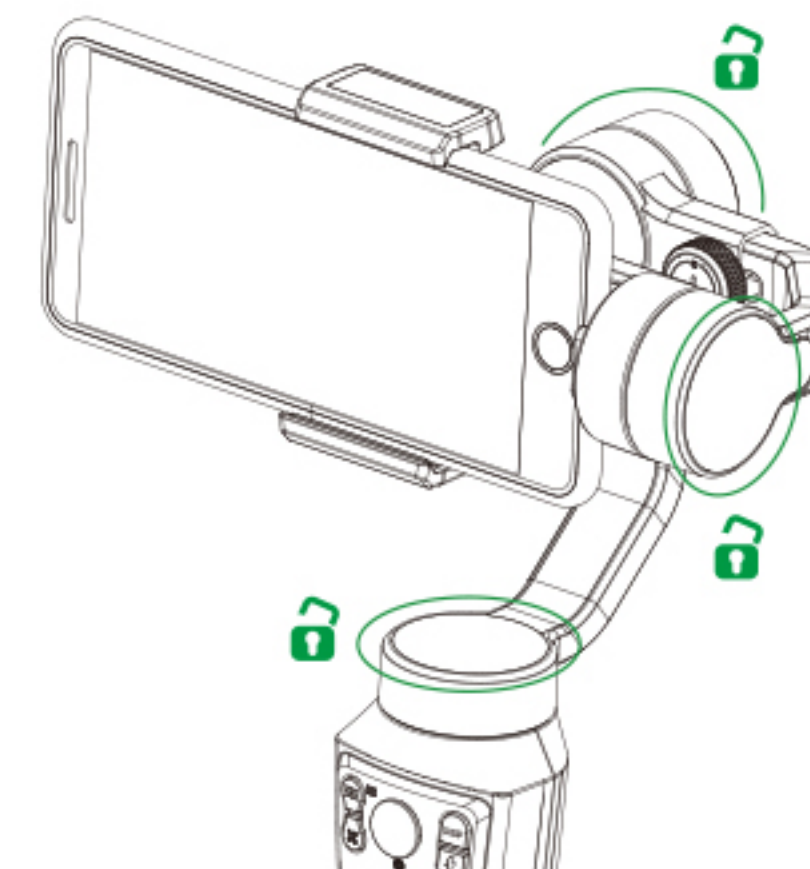
### 半跟随: 航向电机跟随

横滚轴和俯仰轴都固定, 航向轴可以运动。



### 全跟随: 航向+俯仰+横滚跟随

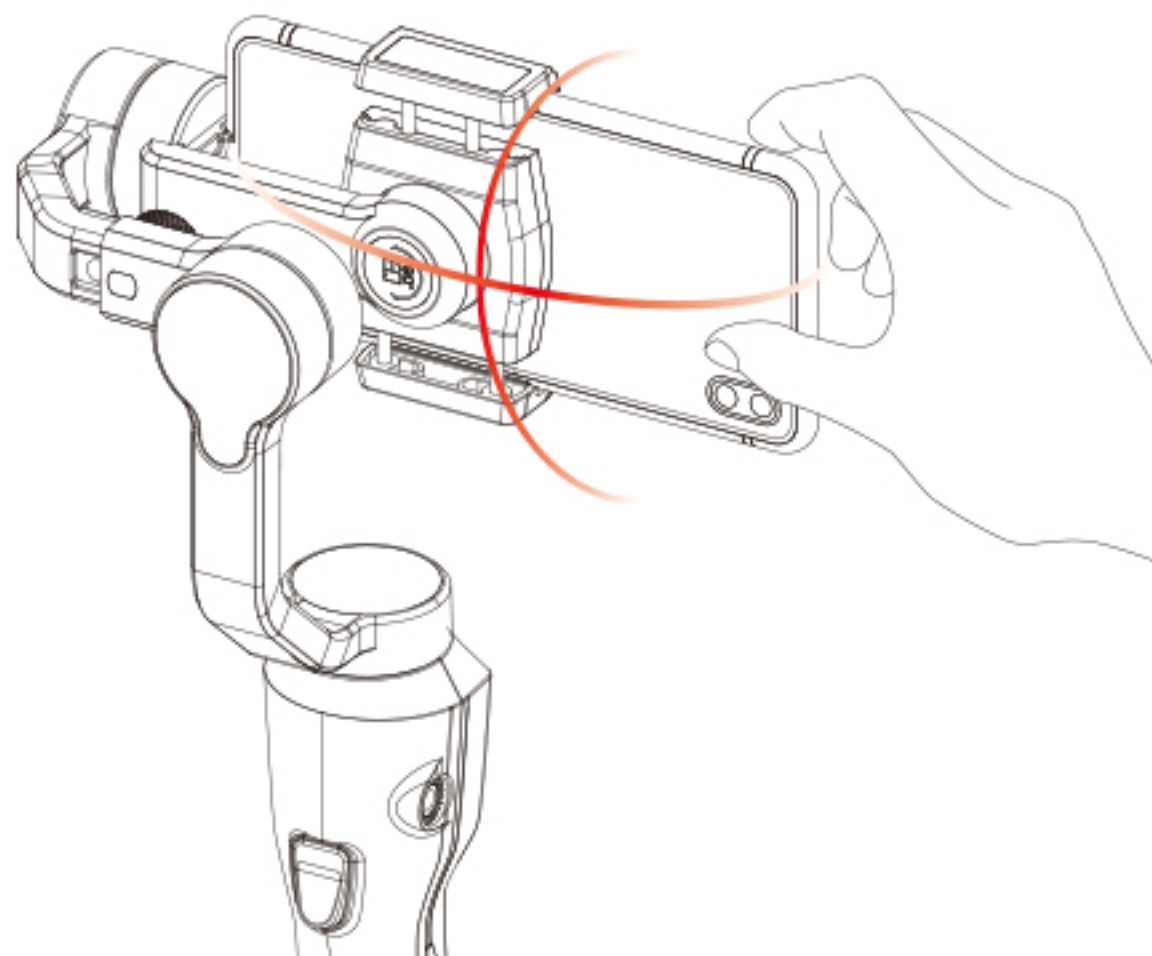
横滚轴、俯仰轴和航向轴都可以运动。



# 功能介绍

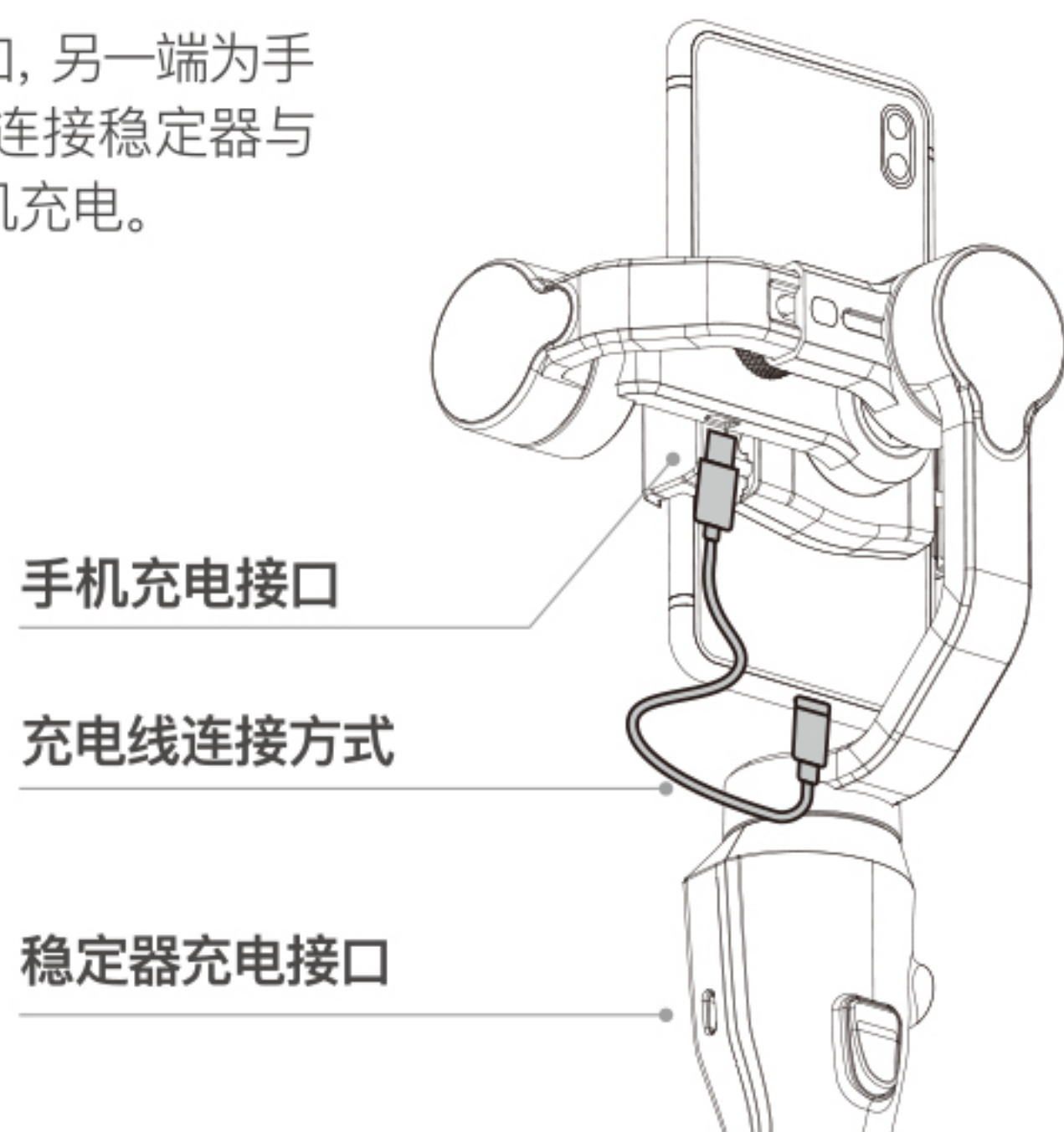
## 手调定位

可手动调节俯仰轴角度。



## 手机充电

使用一端为Micro USB接口, 另一端为手机对应充电接口的充电线, 连接稳定器与手机, 即可使用稳定器为手机充电。



# 设备参数及功能支持

## 设备参数

产品型号	SMART S1	
产品信息	产品尺寸	328*116*52mm
	产品重量	490g
	承载重量	≤280g
电池参数	续航时间	18h
	充电时间	3h
	工作电压	7.4V
	电源输入	5V
	电源输出	5V
	充电工作温度	-10℃~50℃
	锂离子电池	2600mAh x 2
	云台参数	适用手机宽度
角度精度		±0.02°
航向角度		360°水平旋转
横滚角度		270°
俯仰轴角度		270°
模式键每单击切换		半跟随
		全跟随
		全锁定
模式键双击		归位原始位置
模式键三击		盗梦空间
模式键按不放		快速转场
模式键四击	pov模式	



# 设备参数及功能支持

## 功能支持

以下功能为基本功能分类, 更多功能请进一步了解APP

基本功能	IOS	Android
人脸跟随	支持	支持
物体跟随	支持	支持
美颜	支持	支持
滤镜	支持	支持
白平衡	支持	支持
相机参数	支持	支持
延时摄影	支持	支持
移动延时摄影	支持	支持
希区柯克	支持	支持
全景拍摄	支持	支持

\*本手册所涉及的任何数据均为央果实验室内部测试结果, 在不同的客观情况下, 数据会有不同程度的误差, 请以实机体验为准.

# 注意事项

1. 请勿投入火中或靠近高温物体;
2. 掉落或受到外力碰撞可能损坏产品, 请小心使用;
3. 请勿靠近液体或使用清洁剂清洗;
4. 请勿自行拆卸、修理或改装;
5. 本产品不适合儿童使用。

感谢您购买SMART S1, 本文所有提及的内容关系到您的安全以及合法权益和责任。使用本产品前, 请仔细阅读本说明书, 并按照产品的说明与警告来操作设备, 避免给您和周围的人带来伤害或损坏设备。所有相关的文档最终解释权归本公司所有。如有更新, 恕不另行通知。请访问[www.yg-free.com](http://www.yg-free.com)官方网站以获取最新的产品信息。

一旦使用本产品, 即视为已经仔细阅读免责声明与警告, 理解、认可和接受本声明全部条款和内容。您承诺对使用产品以及可能带来的后果负全部责任。您承诺仅出于正当目的使用本产品, 并且同意本条款以及本公司制定的任何相关条例、政策和指引。

本公司对于直接或间接使用产品而造成的损失、伤害以及任何法律责任不予负责。用户应遵循不限于本文所提及的所有安全指引。

本指南仅供参考, 不构成任何形式的承诺。产品(包括颜色、尺寸等)请以实物为准。

# 保修服务

## 保修条例

- 1.自签收之日起7天内, 产品如出现性能故障, 可按发票价格退货或换货;
- 2.自签收之日起1年内, 产品如出现质量问题, 可享受免费维修;
- 3.无自拆、改装等行为;
- 4.需提供购买证明。

## 非保修条例

- 1.擅自拆机、改装、跌落在地等;
- 2.不可抗力(火灾、水灾等)造成的损坏;
- 3.未按说明指导使用造成的损坏;
- 4.超过保修有效期限。

## 注意事项

- 1.用户需将问题产品寄回售后服务中心。我们收到产品后将对产品进行故障检测以确定问题责任。
- 2.若经过检测, 产品不符合免费维修条件, 我们将根据问题性质收取合理维修费用。用户可选择维修或原件寄回。
- 3.用户需随机器附寄购机发票及保修卡。保修卡需售方盖章后方可生效。保修卡不得涂改, 否则视作无效凭证。
- 4.本公司保有最终解释权。

# 保修卡

## 用户信息

姓名

电话

邮箱

地址

## 经销商信息

姓名

电话

邮箱

地址

## 产品信息

型号

产品编号

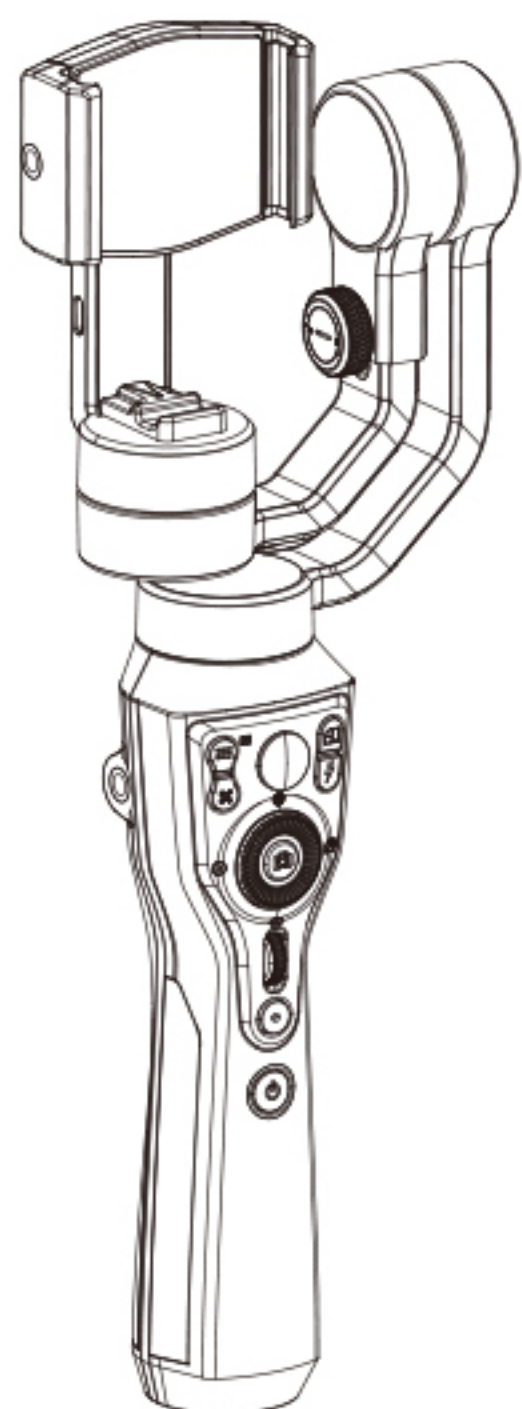
购买日期

检查日期	维修日期	故障原因	处理结果	维修员签字

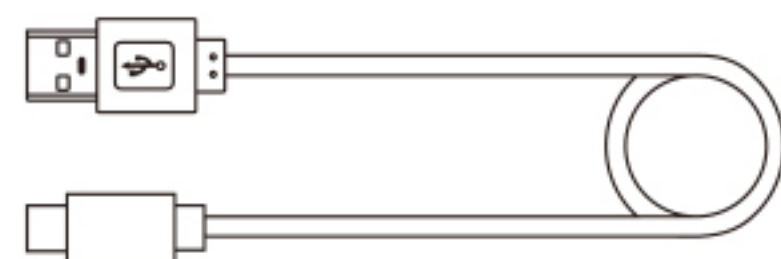


# Product list

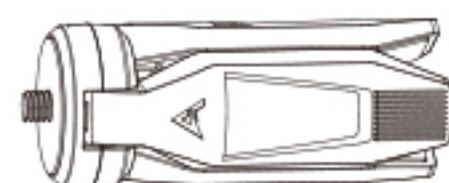
Before using this product, please carefully check whether the product package contains all the following items, if there are any missing items, please contact customer service or the merchant.



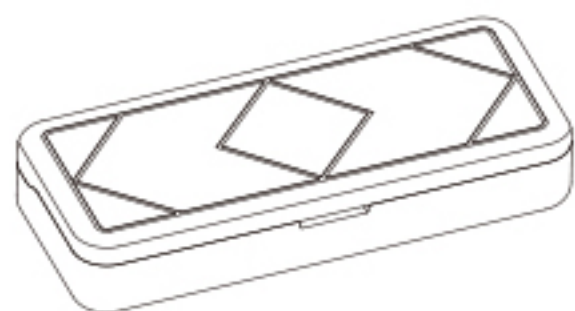
Host x 1



Type-C USB  
Charging cable x 1



Tripod x 1



Storage box x 1



User manual x 1

# Four steps of using SMART S1

## 1. App Downloading

IOS and Android can be downloaded via the QR code below or by searching for AC play on the Myapp/Google play APP platform.



IOS



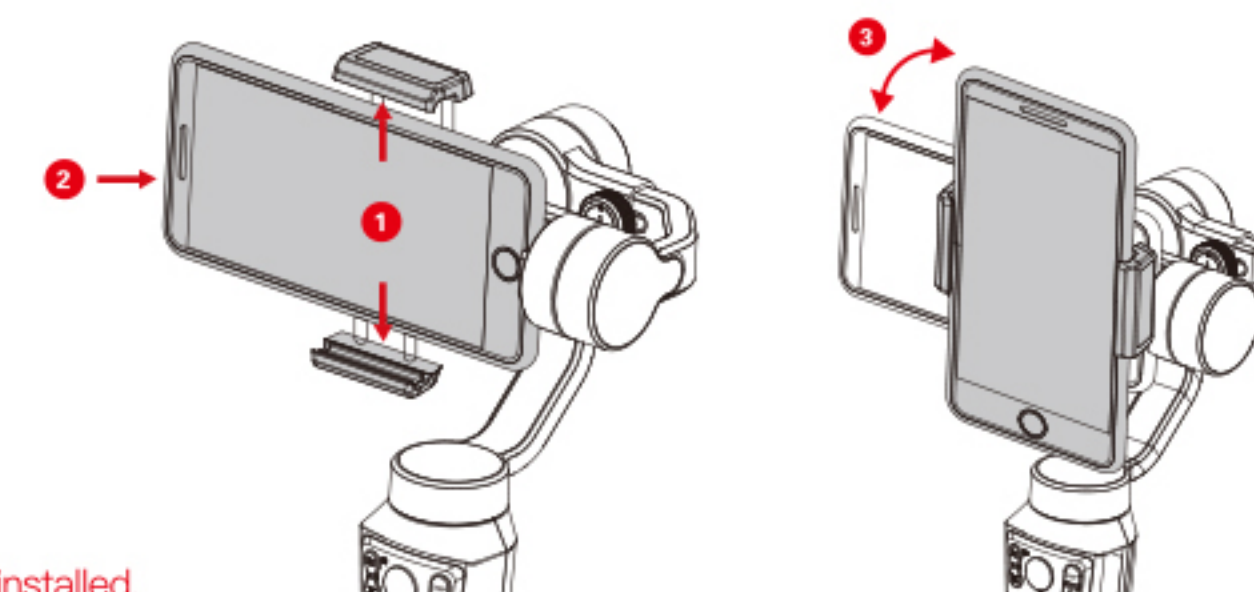
Google



Android

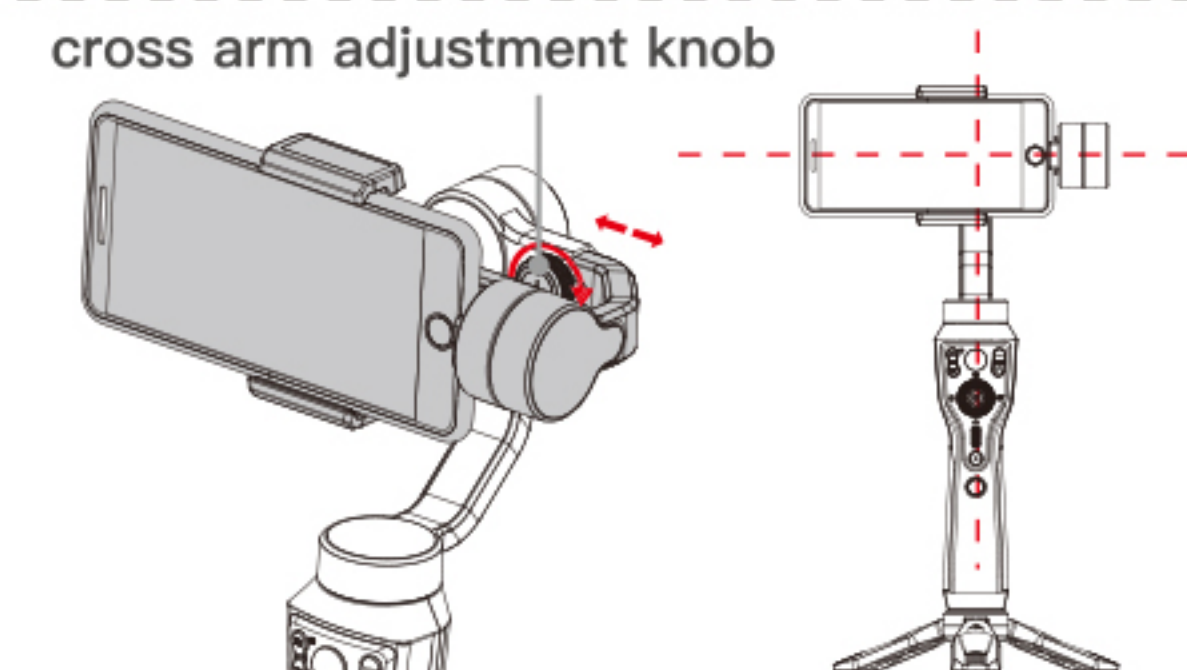
## 2. Install phone and adjust balance

- 1 Pull open the phone clip as shown
- 2 Put your phone in and keep it close to the tilt axis motor
- 3 Then directly rotate the phone clip to adjust the direction of horizontal and portrait screen



⚠ Please do not switch on before the phone is installed.  
Please make sure that the back camera of the phone is located outside the gimbal, ensure that normal use is not affected.

Loosen the adjustment knob and move the tilt axis motor to the left or right until the phone is at rest and level with the ground so that the balance is appropriate.



⚠ The balance of the phone has a significant effect on the duration of the stabilizer. The stabilizer will still work when the phone is unbalanced, but it will consume more power, and the torque needed to stabilize it will be reduced.



# Four steps of using SMART S1

## 3. Connect the APP

1. Turn on the Bluetooth and the power to the stabilizers
2. Open "AC play", select the product page corresponding to the SMART S1, and Click "connect now" .

## 4. Get a tutorial on using



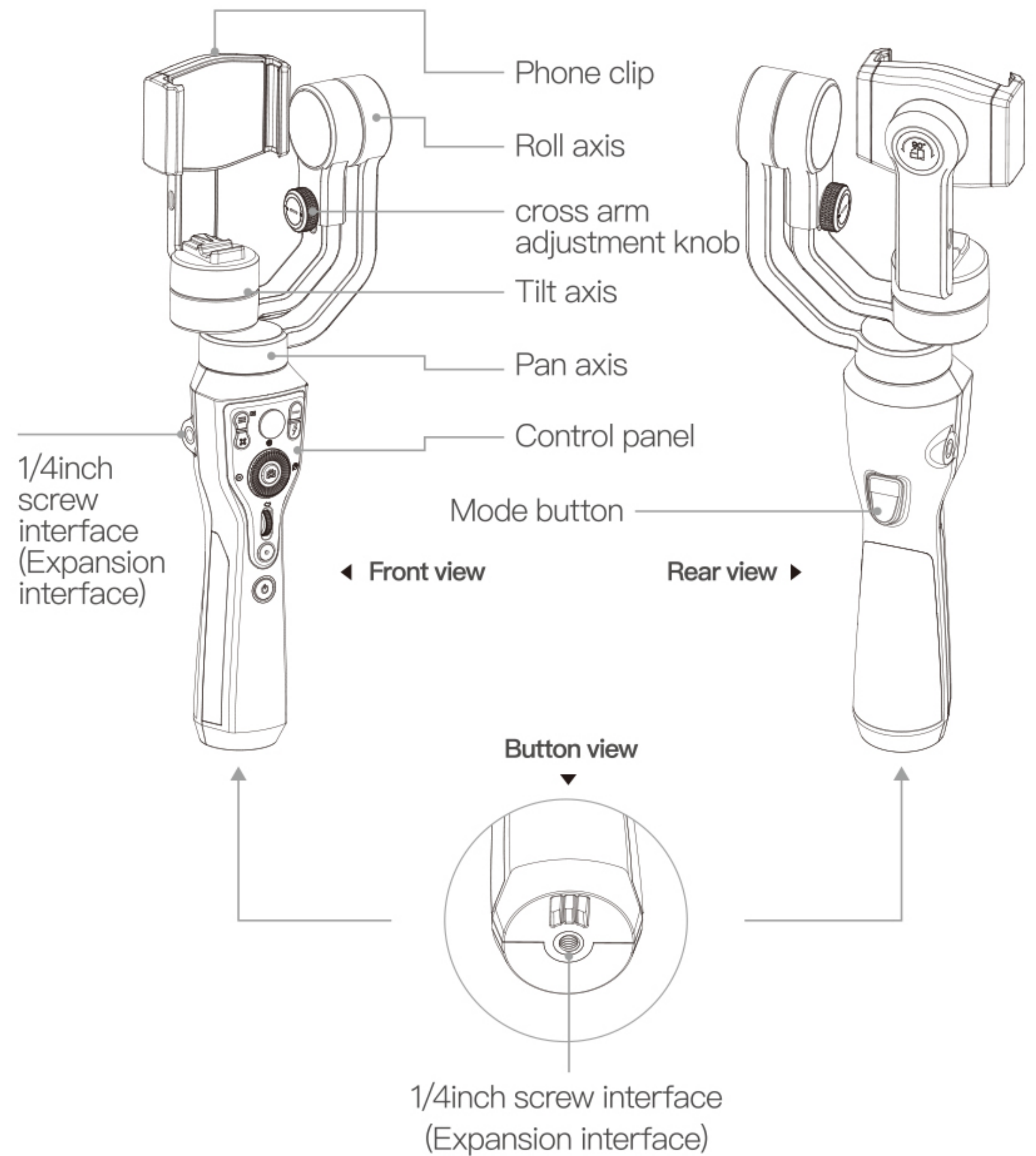
**official Tik Tok number:**  
Follow Tik Tok(Chinese version)for more video teaching and excellent video constantly updated.



**Aochuan official subscription number:**  
various shooting skills and the latest information,a variety of the latest gameplay to share.

# Know the SMART S1

## Product overview



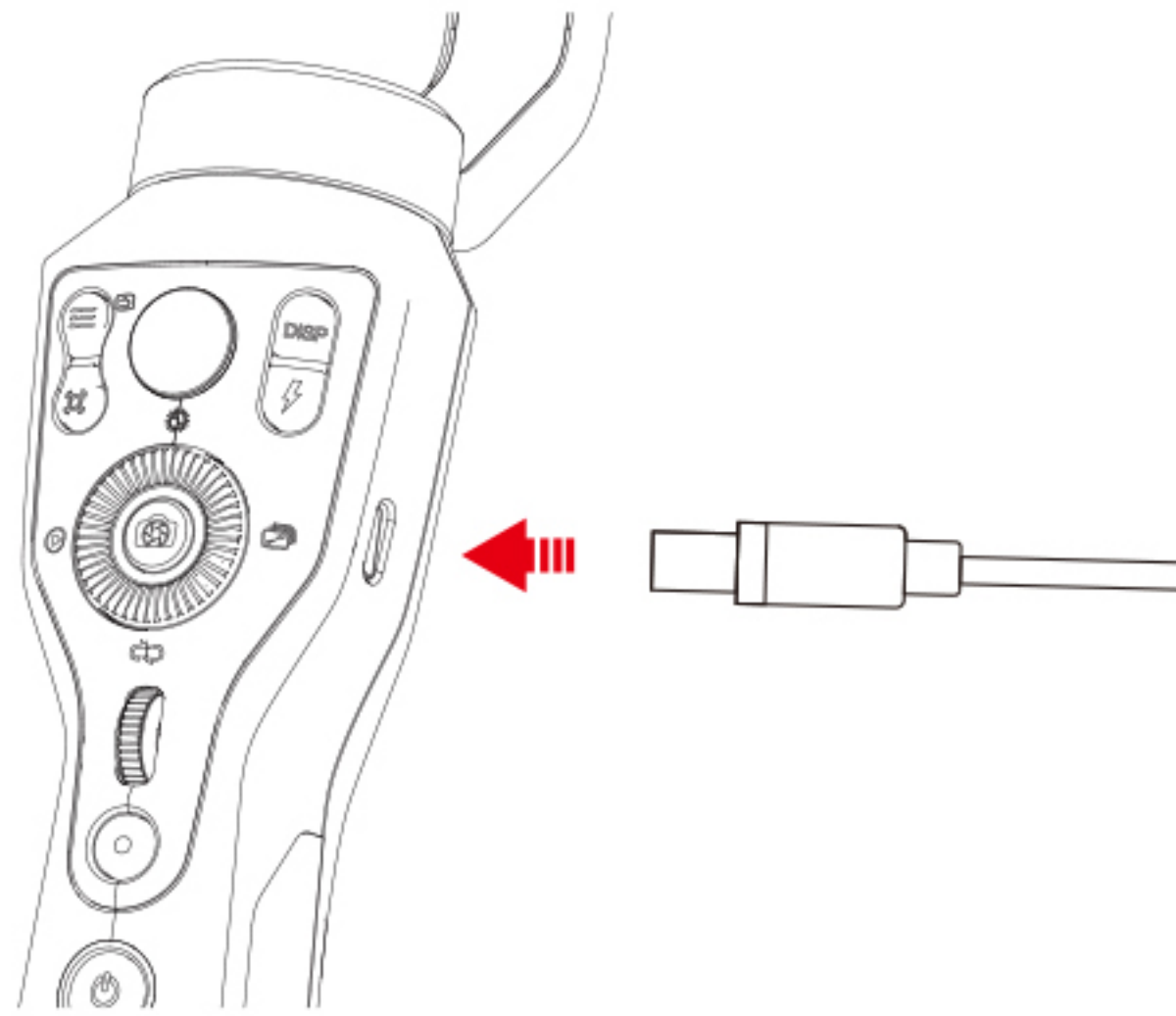


# Know the SMART S1

## Battery charging

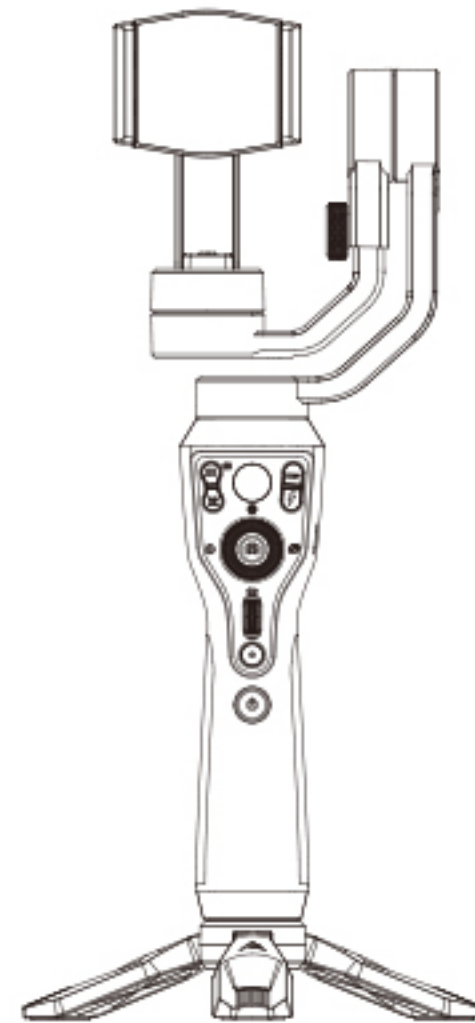
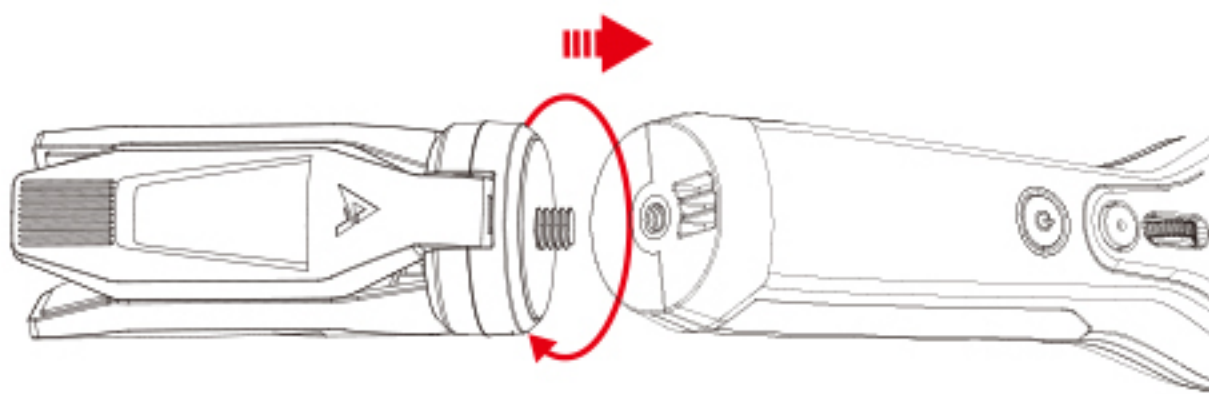
The SMART S1 has a built-in lithium battery. Before the first use, the charging indicator light is always on and the blue state is full charged

**Charging method:** Connect the adapter and the stabilizer using the Type-C cable provided to charge in the package



## Tripod installation

Take out the tripod, tighten the tripod into the bottom 1/4 screw of the stabilizer, then open the tripod and place the stabilizer on the horizontal surface



# Function introduction

## Operation panel introduction

### 1 Joystick

- Move the camera up and down, left and right

### 2 Menu/Return button { ☰ ↩ }

- Switch { 📷 ⚙️ } or exit with each click
- Click on the menu to return to the last page

### 3 Follow-up switch { 📷 }

- Switch object tracking/face tracking/close tracking with each click.

### 4 DISP Button { DISP }

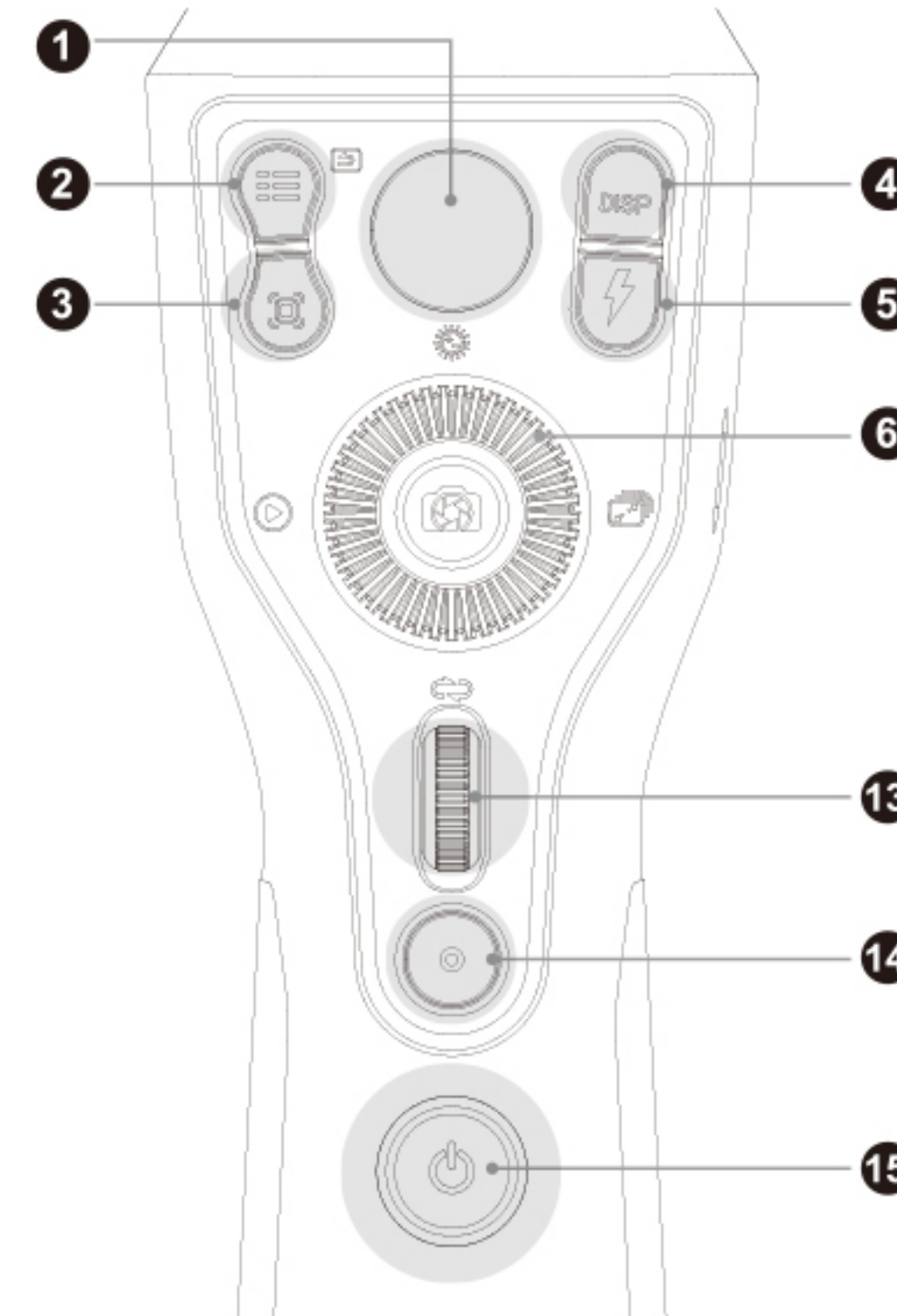
- Click it to pop up phone camera parameters
- Click exit

### 5 Flash lamp Key { ⚡ }

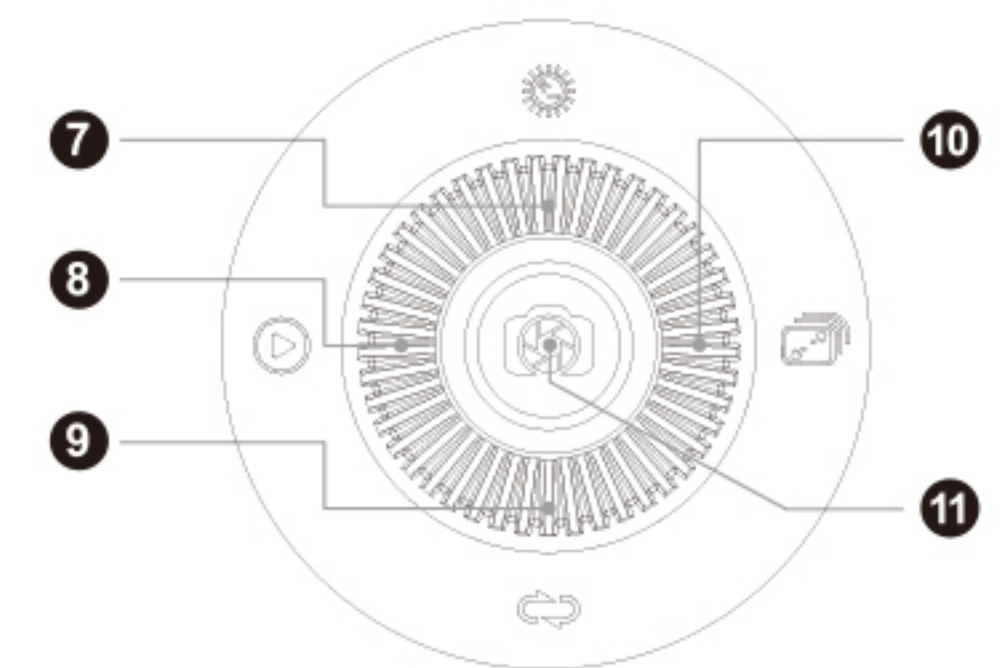
- Switch off/on/auto/always on with each click

### 6 Dial wheel

- Enter the function menu to switch up and down



A partial enlarged drawing of dial wheel



Back mode button





# Function introduction

## Operation panel introduction

### 7 Timing switch { }

- Switch timing for 3s/5s/off with each click

### 8 Album mode key { }

- Click to go to the album to view photos and videos
- Click return in the album

### 9 Switch camera button { }

- Click to switch the camera of the phone

### 10 Zooming/focusing switch { }

- Switch zoom/focus with each click (combined with the focusing roller to achieve change)

### 13 focusing roller

- Focusing/zooming of lens by pulling the roller

### 15 Power button { }

- When the indicator light is on red,the power is 0%–20%
- When the indicator light is on green,the power is 20%–60%
- When the indicator light is on blue,the power is 60%–100%
- When the indicator light flashes blue,it is in charge state, When the blue indicator light is always on,it is in full charge state.

### 11 Photo and select key { }

- Click to shoot/Confirm key

### 12 Mode switch key

- Mode key click:Half Following /Full Following /Full Locking
- Double-click mode key: Return to the original
- Mode key three clicks: Inception
- Mode key long press: fast transition mode
- Mode key four clicks:POV mode

### 14 Record key { }

- Click start or Stop recording
- Double-click to switch between photographing and recording

# Function introduction

## APP function introduction



### 01

**Setting** Camera setting/gimbal setting

### 02

**Camera function** Filter/timing/beauty/HDR/anti-shake/white balance/grid/manual mode

### 03

**Flash light** {on/off/auto/always on}


### 04

**Shooting function** Slow motion/time lapse/time lapse move/continuous shooting/long exposure/panorama/face shooting



# Function introduction

## APP function introduction

05 

Bluetooth {connection/disconnection}function

06 

Exit Return to main interface

07 

Face/object tracking

08 

Transitions of shots

09 

Video/photo

10 

Video/photo switching

11 

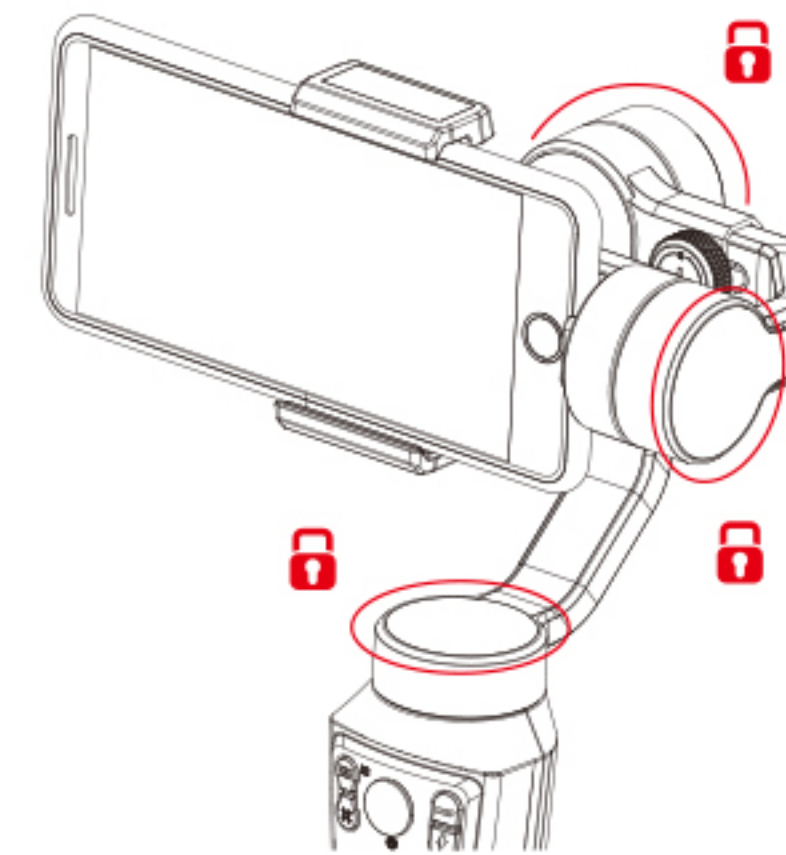
Album View photo/video

# Function introduction

## Introduction of working mode

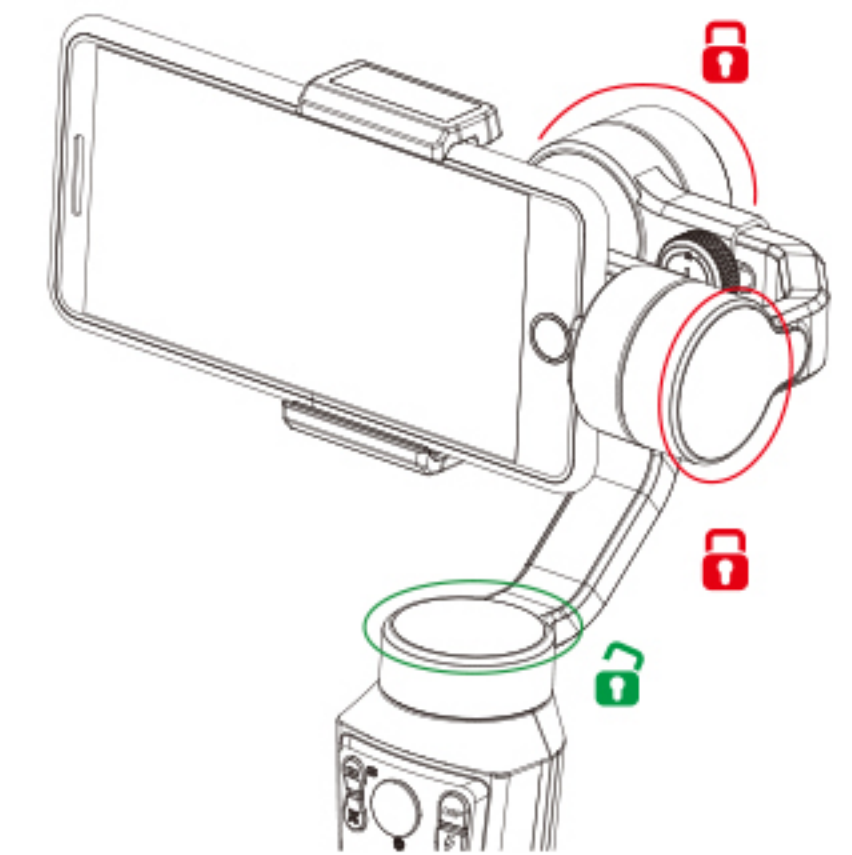
### Full-lock: Pan+Tilt+Roll locking

All three motors are locked, and the camera lens will always keep the current shooting direction unchanged



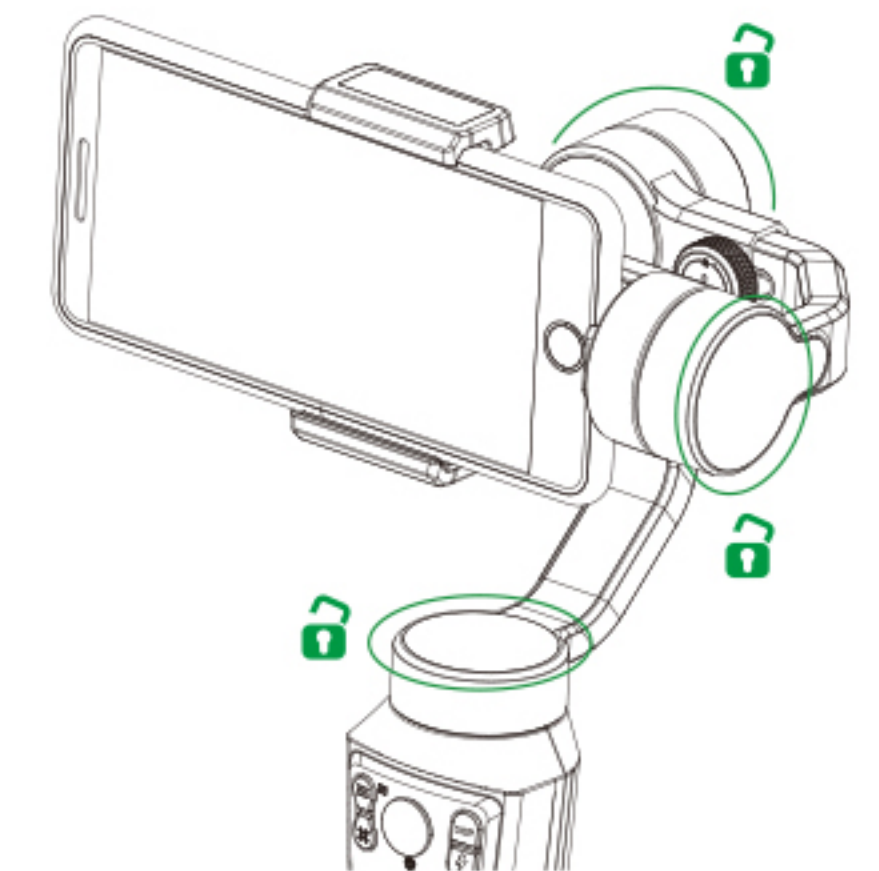
### Half-follow: Pan motor follow

Both the roll and tilt axis are locked while the pan axis can move



### Full-follow: Pan+Tilt+Roll Follow

Roll, tilt and pan axis can move

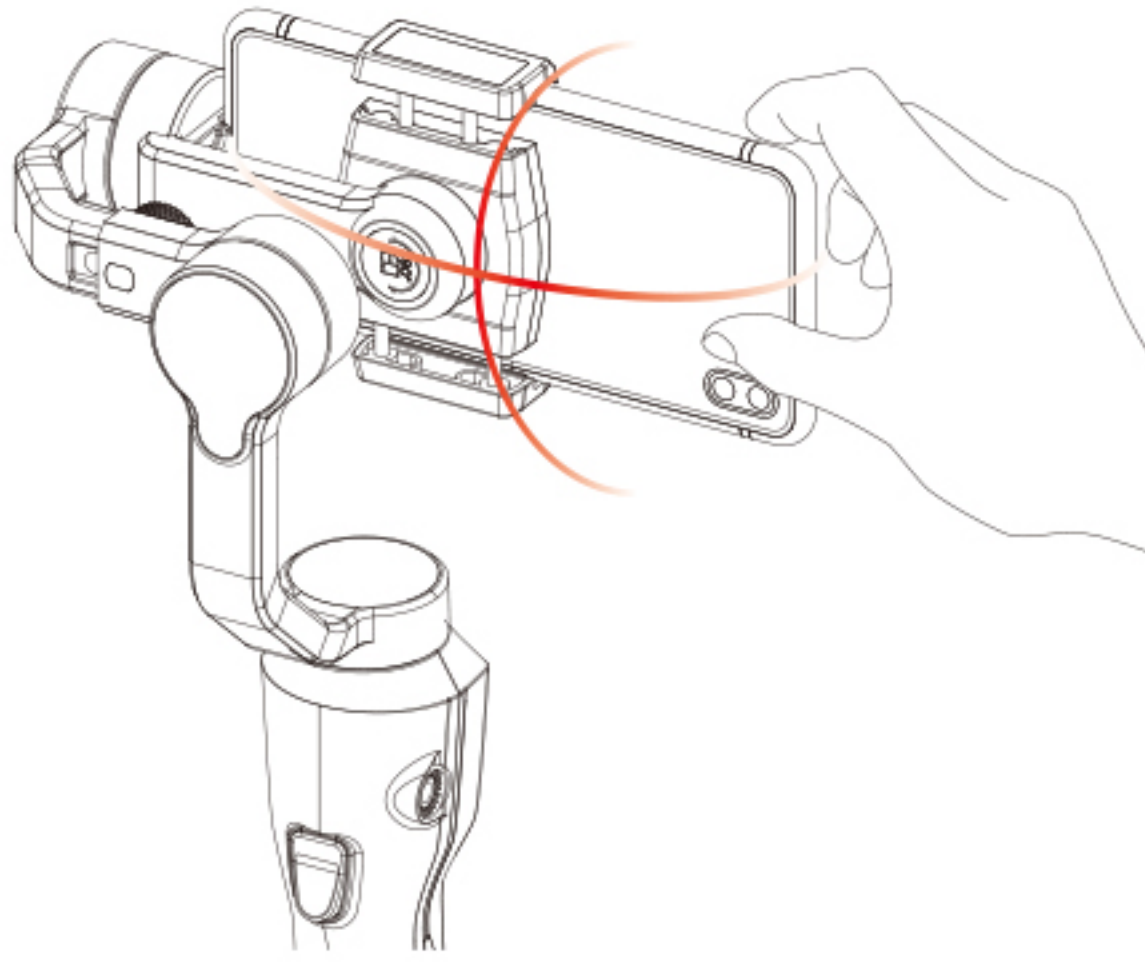




# Introduction of working mode

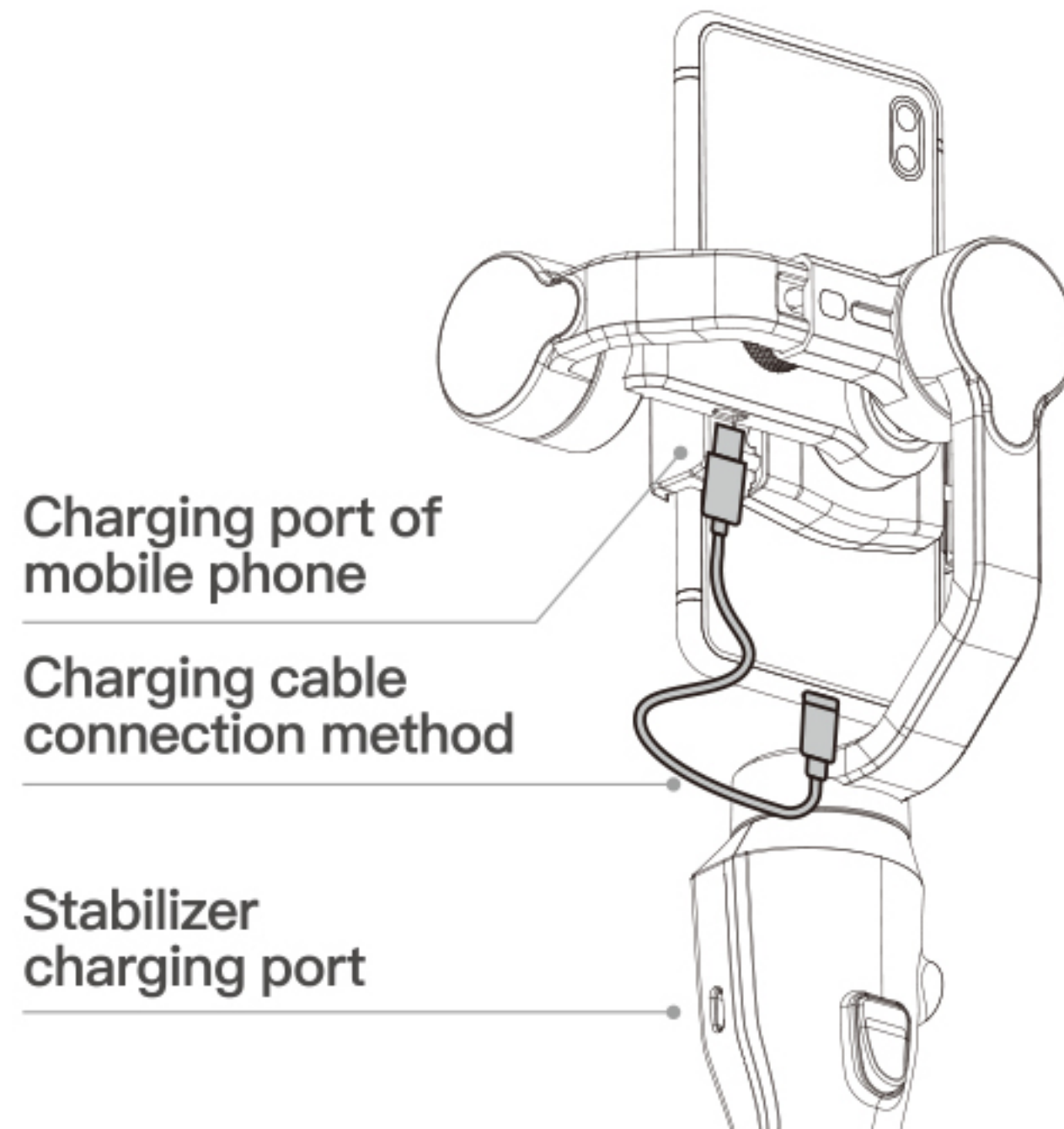
## Manual positioning

Tilt axis angle can be manually adjusted



## Mobile phone charging

Use a Micro USB port at one end and the other end is the charging cable corresponding to the charging interface of the phone. Connect the stabilizer to the phone, which can be charged when the stabilizer is turned on.



# Product parameters and function support

## Device parameters

category	SMART S1		
Product information	product dimension	328*116*52mm	
	Product weight	490g	
	Weight capacity	≤280g	
Batter parameters	Working time	18h	
	Charging time	3h	
	Working voltage	7.4V	
	Power input	5V	
	Power output	5V	
	Charging working environment	-10°C~50°C	
	Li-ion battery	2600mAh x 2	
Gimbal parameters	Applicable width of mobile phone	60-88mm	
	Angular accuracy	±0.02°	
	Pan angle	360°Horizontal rotation	
	Roll angle	270°	
	Tilt angle	270°	
	Mode key switches with each click		Half-follow
			Full-follow
			Full-lock
	Mode key double-click		Return to original position
	Mode key three clicks		Inception
	Long press the mode key		Mad "dog" mode
Mode key four clicks		POV mode	



# Product parameters and function support

## Function support

The following functions are the basic categories of functions, more functions please further understand the APP

Function support	IOS	Android
Face tracking	Support	Support
Object tracking	Support	Support
beauty	Support	Support
filter	Support	Support
White balance	Support	Support
Camera parameters	Support	Support
Time lapse	Support	Support
Hitchcock	Support	Support
Panoramic shooting	Support	Support
Time lapse move	Support	Support

\*Any data involved in this manual are the internal test results of Yang Guo laboratory. Under different objective conditions, the data will have different degrees of error. Please refer to the real machine experience.

## Matters needing attention

1. Do not put into the fire or near high temperature objects.
2. Dropping or external force collision will damage the product please use it carefully.
3. Do not approach the liquid or clean with detergent.
4. Do not disassemble, repair or refit by yourself.
5. This product is not suitable for children.

Thank you for purchasing Smart S1. All mentioned in this article is related to your safety and legal rights and responsibilities. Before using this product, please read this article carefully and operate the equipment according to the instructions and warnings of the product to avoid causing injury and damage to you and the people around you. The company reserves the right to interpret all relevant documents. If there is any update without prior notice. Please visit the official website of [www.yg-free.com](http://www.yg-free.com) for the latest product information.

Once using this product, it is deemed that the disclaimer and warning have been carefully read. Understand, endorse and accept all terms and contents of this statement. You promise to take full responsibility for the use of the product and the consequences that may result. You undertake to use this product only for legitimate purposes and agree to these terms and to any regulations, policies and guidelines formulated by the company.

We shall not be liable for any loss, injury or legal liability caused by direct or indirect use of the products. Users should follow all security guidelines not limited to those mentioned in this article.

This guide is for reference only, does not constitute any form of commitment, products (including color, size, etc.) Please refer to the actual product.



# Warranty service

## Warranty regulation

- 1.You may return or replace the product according to the invoice price if the product occurs performance failure within 7 days from the date of receipt.
- 2.Within 1 year from the date of receipt, if there is any quality problem, you can enjoy free maintenance.
- 3.No self–disassembly machine, modification and other acts.
- 4.Proof of purchase required.

## Non–warranty regulation

- 1.Disassemble,modify or unintentional falls.
- 2.Damage caused by force majeure (fire, flood, etc).
- 3.Damage caused by not following instruction.
- 4.Beyond the warranty period.

## Matters needing attention

- 1.Uses need to send the problem product back,After the after–sale service center received the product,the product failure detection will carry out to determine the responsibility of the problem.
- 2.After inspection, if the product does not meet the conditions of free maintenance, we will charge the maintenance cost according to the nature of the problem.Users can choose to repair or return the original.
- 3.Customers are required to send the product and attach the purchase invoice and warranty card.The warranty card shall not become effective until it is sealed by the seller;The warranty card cannot be altered, otherwise it will be regarded as invalid certificate.
- 4.YangGuo reserves the right of final interpretation.

# Warranty card

## User information

Name

Telephone

E–mail

Address

## Distributor information

Name

Telephone

E–mail

Address

## Product information

Model

Identification of product

Date of purchase

Date of inspection	Maintenance date	Failure cause	Result of handling	Signature of maintenance personal