

15/20 Amp 120/277 Volt AC Decorator Rocker 4-Way Quiet Switch Model: USP-LS05

WARNINGS AND CAUTIONS:

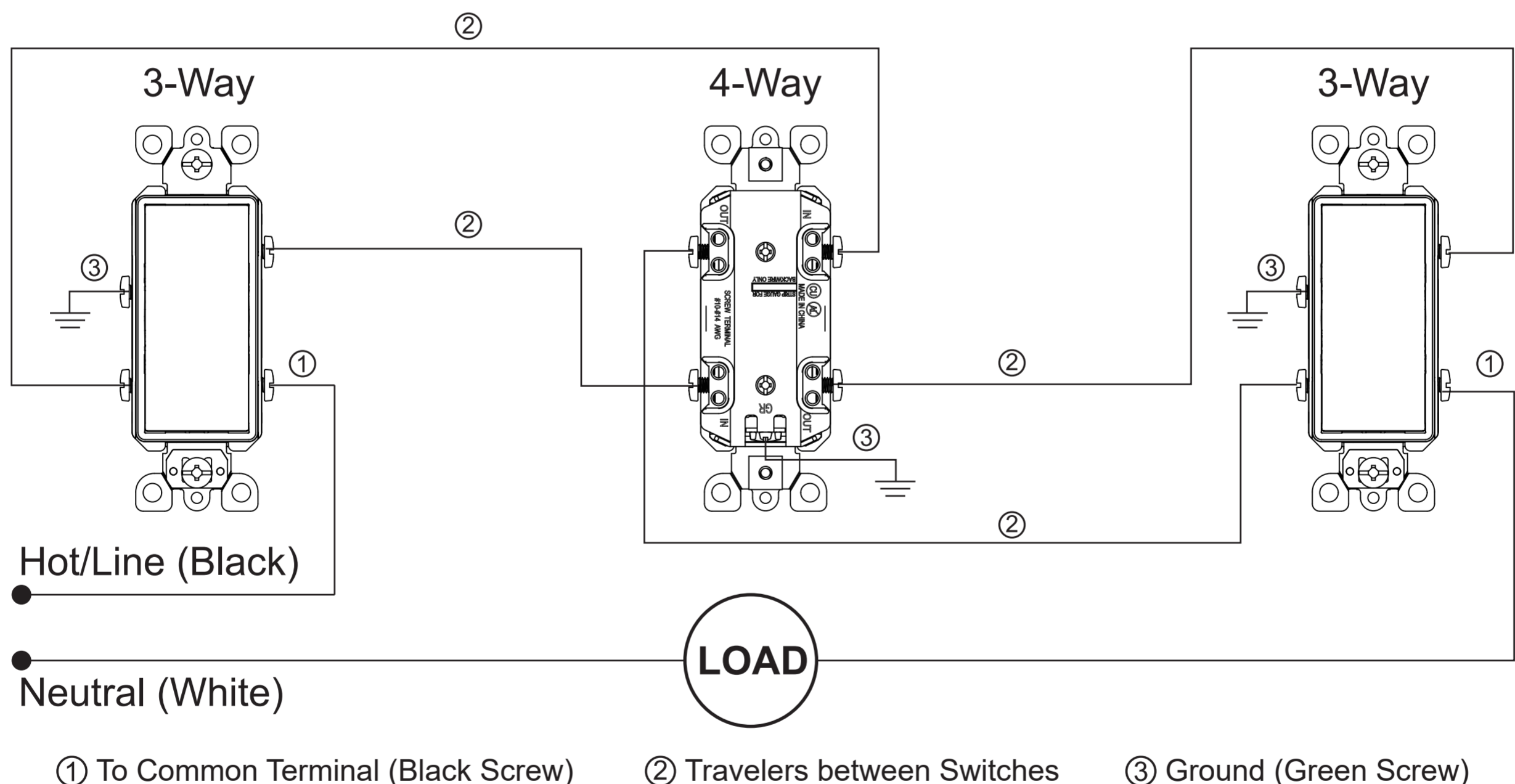
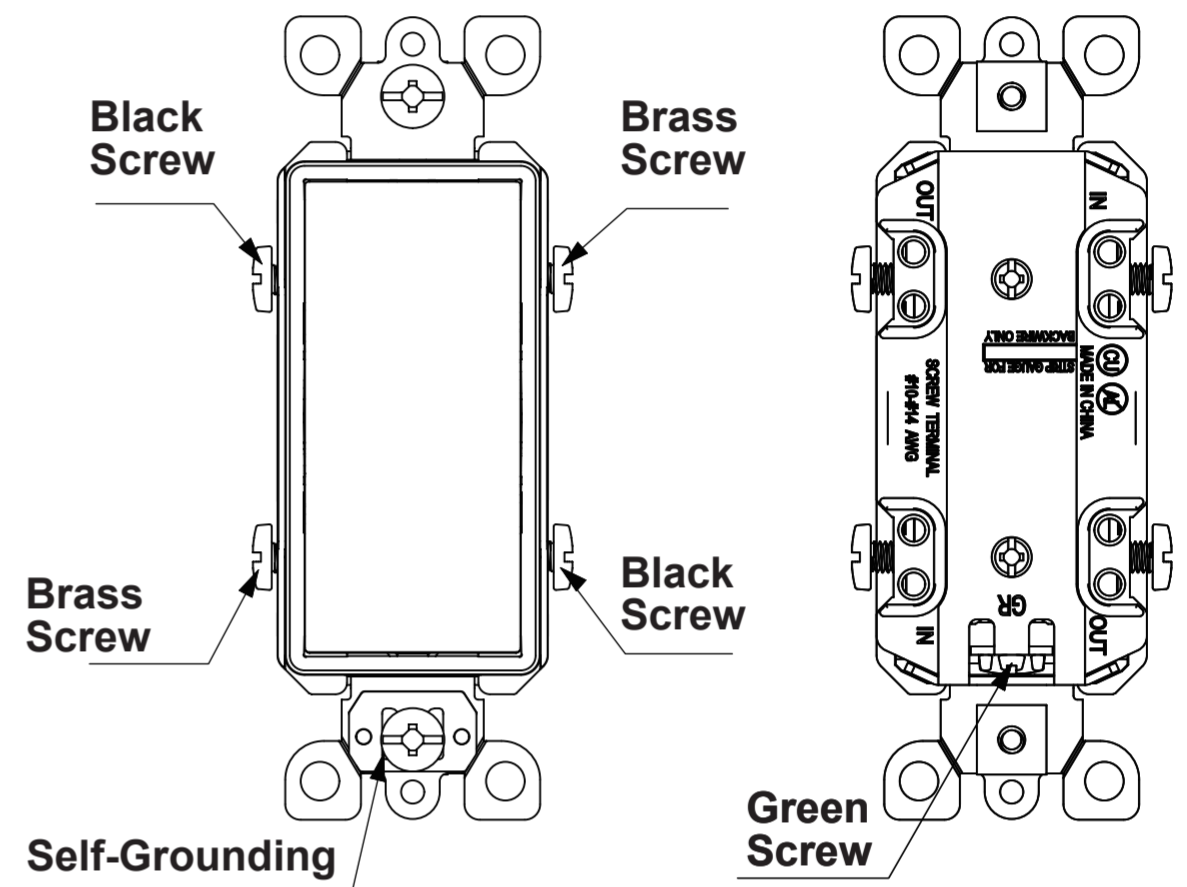
- **TO AVOID FIRE, SHOCK, OR DEATH; TURN OFF POWER AT CIRCUIT BREAKER** or fuse and test that the power is off before wiring!
- To be installed and/or used in accordance with appropriate electrical codes and regulations.
- Use the device with **copper or copper clad wire only**.

INSTALLATION

- 1A. Side Wire:** Remove insulation approx. 3/4" (1.91cm). Connect wires per diagram as follows: Loop wires clockwise 3/4 turn around terminal screws. Firmly tighten screws over wire loops.
- 1B. Back Wire:** Remove insulation per strip gauge on device approx. 5/8" (1.59cm). Insert wires into holes next to appropriate terminal screws. Tighten screws firmly.
2. Mount switch using long mounting screws. Mount wallplate.
3. Restore power at circuit breaker or fuse. Installation is complete.

Note:

- Side Wire: Use copper #14 AWG to copper #10 AWG.
- Push Wire: Use copper #14 AWG ONLY.



WIRING DIAGRAM

Warranty

BESTTEN warrants to the original customer that this product is free of defects in materials and workmanship for one year from the purchase date. Within this period, simply contact BESTTEN CARE with proof of purchase and reason of claim. We will replace the product for free.

Any product which is subject to misuse or accidental damage is excluded from this warranty.

support@ibestten.com

1-800-358-6160(M-F9AM-5 PM PST)