

ISSUE	OPTIONS
Unit will not turn on (no power)	Cause: Yellow/red wire not connected or incorrect voltage Action: Check connections for proper voltage (11-16VDC)
	Cause: Black wire not connected Action: Check connection to ground
	Cause: Fuse blown Action: Replace fuse
Unit has power (but no sound)	Cause: Speaker wires not connected Action: Check connections at speakers
	Cause: One or more speaker wires touching each other or touching chassis ground Action: Insulate all bare speaker wires from each other and chassis ground
Unit blows fuses	Cause: Yellow/red wire touching chassis ground Action: Check for pinched wire
	Cause: Speaker wires touching chassis ground Action: Check for pinched wire
	Cause: Incorrect fuse rating Action: Use fuse with correct rating

VX100

**MARINE USB/MP3 PLAYER
WITH AM/FM RADIO &
BLUETOOTH A2DP STREAMING**

Instruction Manual



4x40Watt

160W MAX POWER

1. Before Starting

Read instructions and the precautions on page 2

2. Installing The Unit

Selecting the Location

Location of the player varies

Before you begin installation of the player, verify

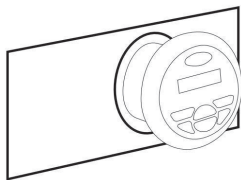
that you have sufficient clearance in the desired location.

Note that 80mm of mounting depth (behind the mounting surface) is required to avoid cable damage. A flat surface is required in order to ensure a watertight seal when installation is complete

WARNING!

Before cutting any panel, ALWAYS ensure that there is sufficient clearance behind the panel, and that no wire harnesses, fuel lines, moving linkages, or any other critical components are exposed to damage by your choice of location. NEVER risk damage to the hull while cutting your opening. Prepare the place for installation by carefully removing interior trim panels as necessary. Route wire harnesses away from sharp edges, and ensure that no harnesses will be pinched or pierced during reassembly

1. Determine the mounting location on a flat surface with sufficient rear clearance (80mm) and access. Ensure that the installation can be successfully completed before continuing!
2. The player requires a 81 mm diameter round hole. Cut the hole and insert the player as shown.



~1~

Bluetooth Audio Streaming (A2DP)

This unit supports bluetooth A2DP wireless audio streaming from a smartphone or similar bluetooth device.

Pairing

To pair your phone to the Vx100 press the source button to select "BT" mode, the LCD will enter bluetooth pairing mode and flash "CONNECT" on the screen (if no device is paired).

Select bluetooth pairing mode on your smartphone to search for new devices. Connect with device "VX100" when found (If a phone is requesting for a pin number, enter 0000 to pair). Once pairing is successful "CONNECTED" will be displayed on the screen.

Bluetooth Operation

Press the up or down arrows to select next or previous track.

Press the band button to pause or continue play back.

Clock Display and Adjustment

Press and hold the SEL button for 2 seconds to display the clock, press SEL again to exit or wait 10 seconds for auto exit. To adjust the clock, while viewing the clock press and hold the SEL button until the hour number is flashing, use volume buttons to adjust the hour, short press SEL button again to adjust the minute. When time is set, press and hold the SEL button to save and exit.

Specifications

General

Power supply requirements: DC 12V, Negative Ground
Load impedance: 4-8 Ohms/channel
Maximum output power: 40Wx4 (CH)
Operate temperature: -10~+50°C

FM Tuner: Tuning range: 87.5MHz-108MHz (EUR)

AM Tuner: Tuning range: 522KHz-1620KHz

Usable sensitivity: >5uV

USB Music player

Signal to Noise Ratio: 55dB

Frequency Response: 50Hz-20KHz

A/D Conversion Filter: 16BIT

USB Storage Capacity: 16GB Max

Bluetooth

Version: 3.0

*Note: Specification May Change Without Notice

~6~

Radio Operation

Press BAND to select between FM1,FM2,FM3 and AM1,AM2 band.

Manual Radio Station Tuning

Press and hold up or down arrow buttons to manually seek next or previous radio stations.

Automatic Radio Station Tuning

Press and hold band button for AMS (Auto Music Scan), this will scan and store all available stations.

Press up or down arrows to select stored preset radio stations.

USB Operation

Connecting a USB Device(not supplied)

Play MP3,WMA or FLAC(16bit)files using USB mass storage device by connecting it to the MA3BT USB port.(16GB MAX)

Playing Music

When a USB device is first connected, playback will begin automatically. Depending on the number of files and folders the device may take several seconds to begin playback. If no valid audio file is detected, "NO FILE" will be displayed.

Track Select

Press up button to skip to the beginning of the next track. Press down button to return to the beginning of the previous track.

Fast Forward and Reverse

Press and hold up or down button to fast forward or reverse a track.

Pause

Press band button to temporarily stop playback.

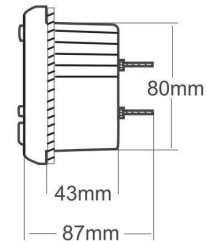
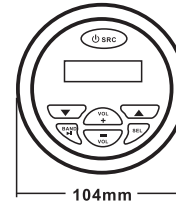
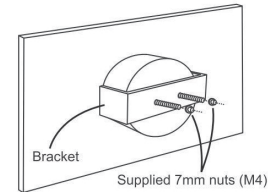
Press band button again to resume playback.

AUX Input Operation

Insert a 3.5mm connector in the rear AUX port. Connect the other end of the 3.5mm connector to the headphone output of an audio device, MP3 player, etc. (3.5mm audio cable sold separately).

3. Insert the player into the opening. Make sure that the gasket behind the player face seats completely against the mounting surface.

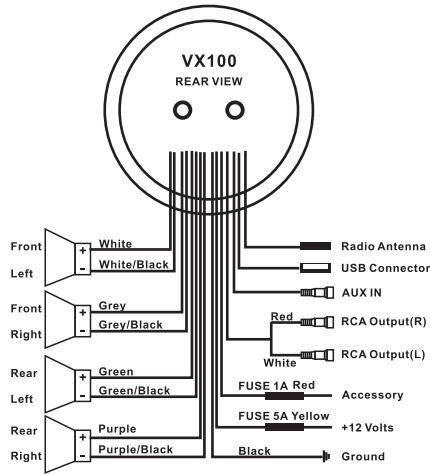
4. Position the bracket onto the rear of the player, sliding the two threaded studs on the rear of the player through the two holes in the mounting bracket (as shown below). Tighten the 7mm hex nuts onto the bracket, again ensuring that the gasket seals tightly to the front of the mounting surface. Avoid pinching the cable.



Note:

Ensure all wiring including USB, AUX and ANTENNA connections are taped up using electrical tape for added water protection.

WIRE CONNECTION DIAGRAM



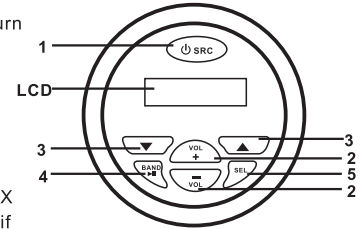
Bridged Mode-2 Speakers Setup



If only connecting 2 speakers to the Vx100 for added power output use the following wiring diagram.

1. POWER

Press this button once to turn the unit on.
Press and hold to turn the unit off.



SOURCE

Short press this button to select between RADIO, AUX IN, BT (Bluetooth) and USB if connected.

2. Volume +/-

Press volume buttons to increase/decrease the volume.

3. UP ▲ / DOWN ▼ ARROWS

- AM/FM: Short press arrow buttons to select radio preset stations.
Press and hold arrow buttons to seek next/previous stations.
- USB: Short press arrow buttons to select next/previous tracks.
Press and hold arrow buttons to fast forward/reverse tracks.
- BT: Press arrow buttons to play next/previous tracks.

4. BAND ►◄

- AM/FM: Press and hold band button for AMS (Auto Music Scan).
Short press band button to select radio bands FM1, FM2, FM3, AM1 and AM2.
- USB: Press band button to play/pause music track.
Press and hold band button to enter TRKSCH, use VOL +/- to select the music track number and then press SEL button to confirm selection.
- BT: Press band button to play/pause music track.

5. SEL

Press SEL button to select the audio setup menu option, VOL, BASS, TREBLE, BALANCE, FADE, LOUD (ON/OFF), EQ (Flat-Classic-Rock-Pop-EQ Off), DX/LOCAL, STEREO/MONO, AREA EURO/SUA