



YEEUU S1 Smart Lock Box

Installation and Operation Guide

(V1.0)

— Important Notes —

- Please read all the instructions before contacting customer support.
- Please contact customer support before returning the product.
- Follow the instructions in sequential order!
- If you have previously installed this lock on another door, you must perform a Factory Default Reset FIRST! See 2.3 for Reset the Lock.
- You must use 3 AAA Alkaline Batteries, don't use Lithium or Rechargeable Batteries.

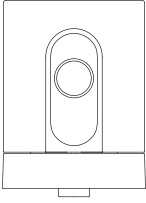
— YEEUU Terms & Policies —

Before using all YEEUU products, please read all applicable terms, rules, policies and usage provisions found at www.yeeuu.com. By using your YEEUU Lock, you agree to be bound by the YEEUU Privacy Policy.

Need Help?

For technical documents and more
Please visit www.yeeuu.com/pages/support
Email: support@yeeuu.com

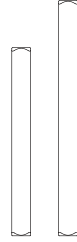
— Included in the Box —



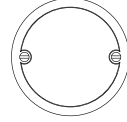
Front Lever



Back Lever



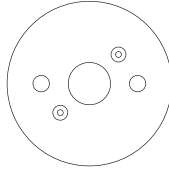
Spindle 80mm
x1/100mm x1



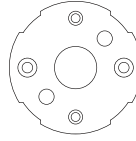
Rear Decorative
Cover



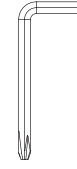
Spring x1



Baffle x2



Back Lever
Cover x1



Screwdriver



Lever Screw x2
(M4 *8)



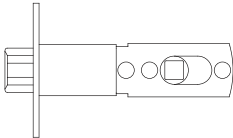
Connecting
Rod Bolt x2



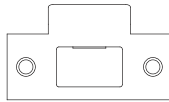
Bamboo Screw
x2 (M4 *80)



Self-Tapping
Screw x4 (M4 x20)



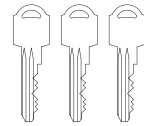
Single Latch
Lock Body



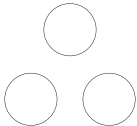
Strike



Auxiliary Ring

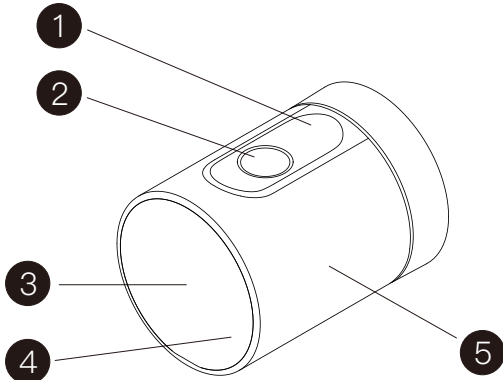


Key x3

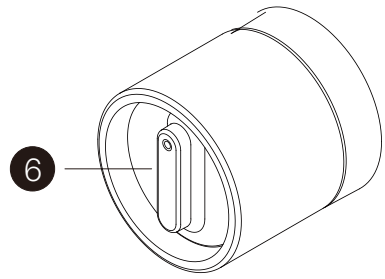


Door Card x3

— Lock Parts —

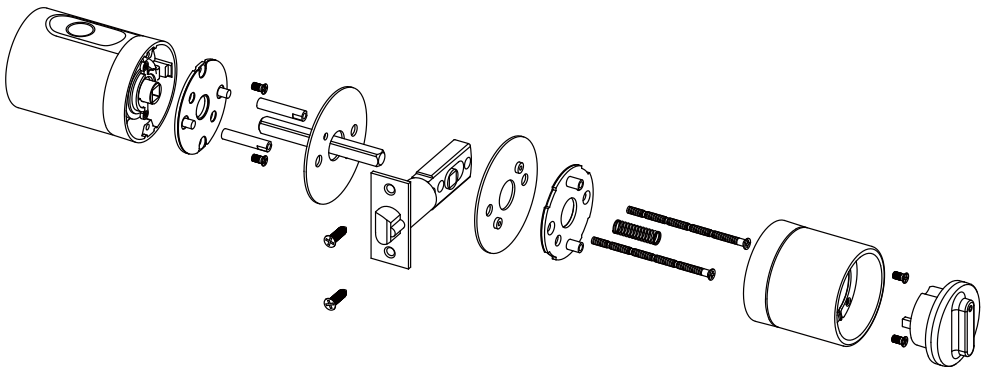


Front Lever



Back Lever

- ① Door Card Identification Area
- ② Fingerprint Identification Area
- ③ Key Open Area
- ④ Password Area
- ⑤ Battery Compartment Area
- ⑥ Anti Lock Knob



— Parameters —

Access Methods: Fingerprint, Password, App, Card, NFC Devices, Mechanical Keys.

Storage Capacity: 100 PCs of Door Cards, fingerprints, passwords together.

Working Voltage: 3 AAA Alkaline Batteries

Battery Life: Up to 12 Months (Unlock 10 times a Day)

Working Temperature: -4 °F ~ 158 °F (-20°C ~ 70°C)

Working Humidity: 40%RH ~ 80%RH

Front Lever material: Zinc Alloy

Back Lever material: Aluminum Alloy

— Install the Lock —



Installation Video

Please watch our easy step by step installation video before attempting to install your Smart Lock.

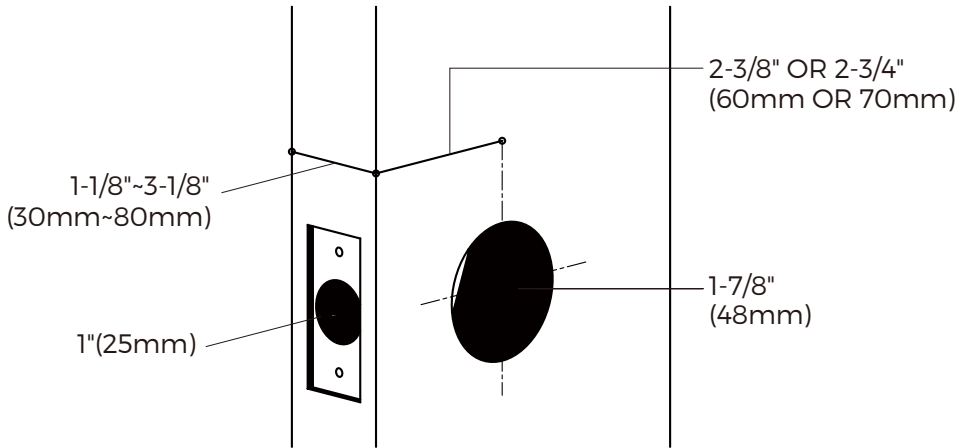
Or you can also view the website directly.

www.yeeuu.com/pages/support

1.1 Preparing the Door

Check the door's dimensions.

- Measure to confirm that the door is between 30-80mm thick.
- Measure to confirm that the diameter of the hole is 48mm.
- Measure to confirm that the backset is either 60mm or 70mm.
- Measure to confirm that the diameter of the hole in the door edge is 25.5mm.

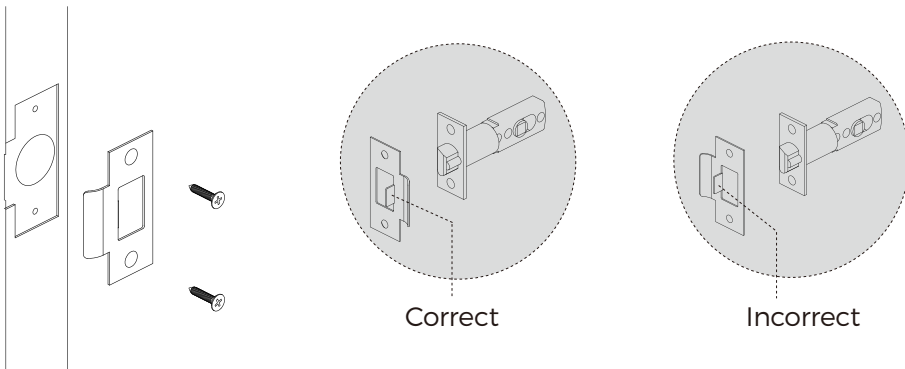


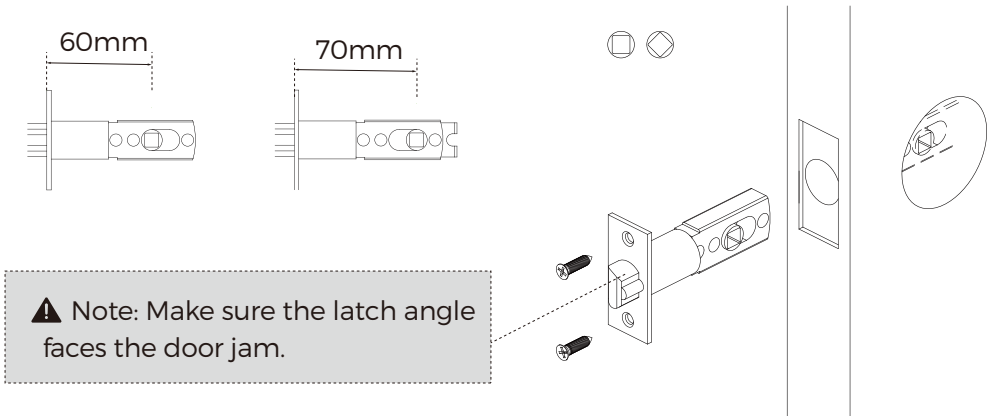
1.2 Installing Latch and Strike



Note: If you are installing your S170 Smart Lock on a door with an existing lock, please remove the current strike and latch.

- Install the latch on the lock. Make sure the latch angle faces the door jam.
- Install the strike on the door frame, ensuring the latch will match the strike.

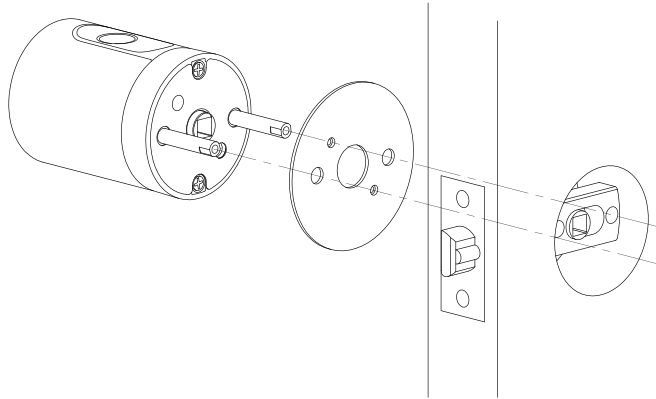




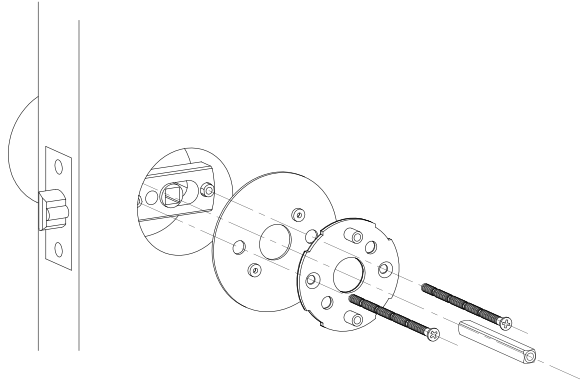
1.3 Installing the Lock

▲ Note: The front and back baffle is optional up to the diameter of the hole. Place the front baffle before assembling the front lever with the bamboo screws, so as the back baffle.

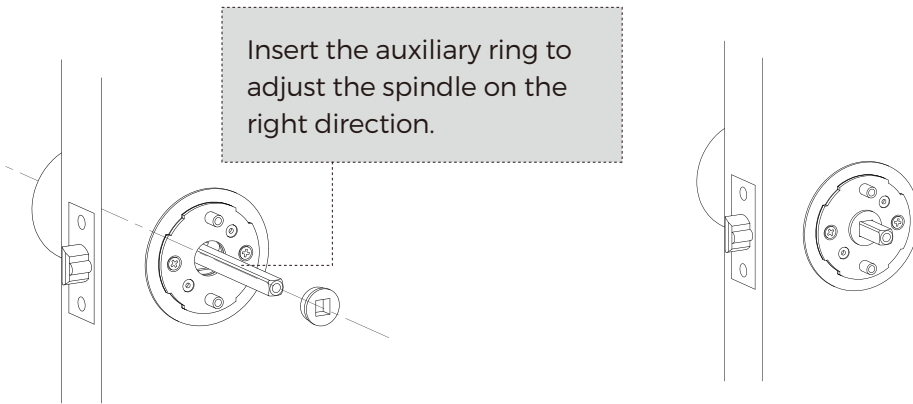
- Place the 2 connecting rod bolts on the front lever.
- Assemble the front lever on the door, the fingerprint area should be facing upwards.



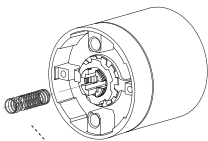
- Align the spindle with the slot in the latch , slide it into the front lever.
- Secure the back cover with 2 bamboo screws with the 2 connecting bolts. (Do not tighten the screws yet.)



- Insert the auxiliary ring into the hole, adjust the spindle to the right direction.
- Tighten the screws, take out the auxiliary ring.

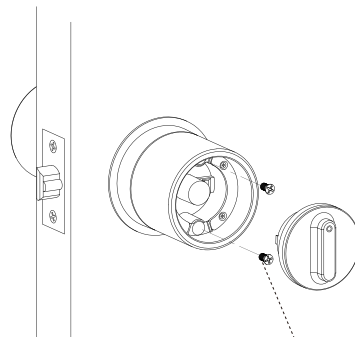


- Pull out the rear cover of the back lever, put the spring in the hole, align the spindle and insert it in.



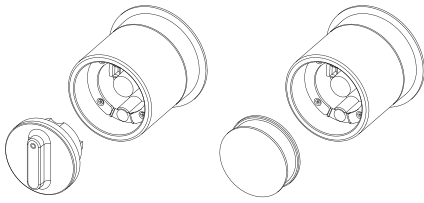
Assemble the Spring into the center hole of the Inside Lever first.

- Secure the back lever with 2 lever screws.

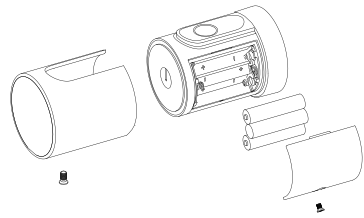


Pull out the rear cover to tighten the screws.

- Insert the knob cover or decorative cover according to your needs.
- Twist the back lever, see if can rotate neatly.



- Take away the cover of the front lever and battery cover and install 3 AAA batteries.



1.4 Testing the Lock



Note: Please test the lock with the door open to avoid being locked out. Any fingerprint or code can unlock S170 Smart Lock in factory default mode.

- Input any code or fingerprint, the LED light should turn on.
- Twist the handle, the latch should retract smoothly, if it doesn't please follow the instructions carefully and repeat the installation.

— Use the Lock —

2.1 Operation

Step 1

Search "YEEUU" in App Store (ios) and Google Play (android).



Step 2

Open the App, register your YEEUU account and log in the account.

Step 3

Make sure the lock is in Factory Default Mode. Turn on the Bluetooth on your smart phone, stay near the lock (within 10 feet / 3 meters) and search the lock in the App.

Step 4

Pair the lock in the App, the lock will flash blue light when paired.

2.2 Using your Lock

2.2.1 Fingerprint

Step 1: Log into your account, select the device and go to "Settings" page.



Step 2: Fingerprint Management---Add fingerprints.



Step 3: Put your finger on the identification area to collect your fingerprints.

2.2.2 Password

Step 1: Log into your account, select the device and go to "Settings" page.



Step 2: Password Management---Add Password

⚠ Note: The Default password is 123456.

Password Touch board: 0-9, YEEUU.

(YEEUU is the confirm key.)

Permanent password: 6-10 numbers, valid forever.

One-time password: 6-10 numbers, set the start and end time for one time only use.

Periodic password: 6-10 numbers, set the valid time, schedule time for repeat use.

Dynamic password: 10 numbers, can be generated offline, valid within 5 minutes.

Virtual password: unlimited number + correct password + up to 9 numbers.

2.2.3 NFC Card

Step 1: Log into your account, select the device and go to “Settings” page.



Step 2: “Add Door Card” at the upper right corner



Step 3: Put the door card or other NFC devices on the card identification area for collecting.

2.2.4 Smartphone

Use your smart phone to unlock by clicking the unlock button.

2.2.5 View Records


Check the lock and unlock records in “Opening Record.”

2.2.6 Stay unlock status

Turn On: YEEUU+111+YEEUU+Admin Password+YEEUU (White Light Flash).

Turn Off: YEEUU+222+YEEUU+Admin Password+YEEUU (Green Light Flash).

2.3 Reset the Lock

 Note: All data will be erased if you reset S170 to factory default settings.

Remove the device in the YEEUU App.

Click the “” on the right corner.

2.4 Lock Status

Low battery status: Yellow light flashes 2 times.

Operation Failed: Red light flashes 2 times, buzzing 2 times.

Error Lock: Red light flashes 5 times.



Hidden High Tech

YEEUU S170 Smart Lock
Hangzhou Ujia Technology Co., Ltd.

