

AOFAR[®]

HUNTING RANGEFINDERS

HX-1200T

www.aofar.com

AOFAR BRAND CUSTOMER SERVICE SUPPORT: service@aofar.com

- English manual-----Contact us: service@aofar.com
- Manuel en français ----- Contactez-nous: service@aofar.com
- Deutsches Handbuch ----- Kontaktieren Sie uns: service@aofar.com
- Manuale in italiano ----- Contattaci: service@aofar.com
- Manual en español ----- Contáctenos: service@aofar.com
- Manual em português ----- Contate-nos: service@aofar.com
- Nederlandse handleiding ----- Neem contact met ons op: service@aofar.com
- 日本語マニュアル ----- お問い合わせ: service@aofar.com

TABLE OF CONTENTS

1.	TABLE OF CONTENTS	3
2.	OPERATION INSTRUCTIONS	4
	Focus adjustment; Units switch; Range mode; Hunting mode; Hunting Mode Instruction	
3.	PRODUCT SPECIFICATIONS	7
4.	DESCRIPTION OF THE SCREEN DISPLAY	8
5.	COMPONENTS NAME	9
6.	HOW TO WORK AND RANGING ACCURACY	9
7.	READY TO START (Inserting the battery)	10
8.	LIST OF ARTICLE	11
9.	USE SAFETY INSTRUCTIONS	12
10.	PRECAUTIONS OF LITHIUM BATTERY	14
11.	MAINTENANCE OF THE INSTRUMENT	14
12.	TROUBLE SHOOTING TABLE	15
13.	CUSTOMER SERVICE/WARRANTY	16

2.OPERATION INSTRUCTIONS

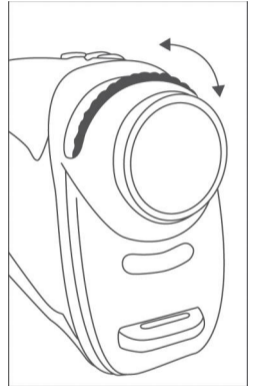
Focus adjustment

HX-1200T range finder is constructed with an adjustable eyepiece (+/-3 Diopter). People with different visions don't need to wear glasses, they can observe LCD with naked eyes.

Rotating the eyepiece until the reticle and object display to your eye clearly.

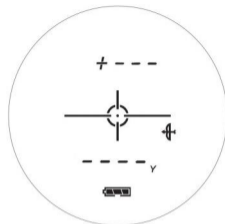
Units switch

The HX-1200T range finder can be used to measure distances in yard or meter. The unit of measure indicators are located in the lower right portion of the LCD. To select yard and meter, just press and release "M" button quickly to change " Y" (yard) and "M" (meter).



Range mode

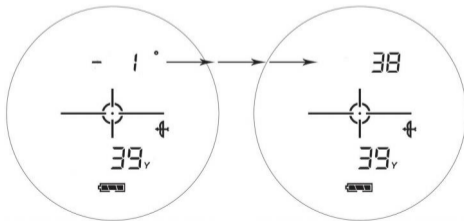
Look at LCD through the eyepiece, then press Power button and release quickly, you will see the display as right picture. Pressing Power button again to measure. (The laser rangefinder will auto power-off if no operation within 8 seconds.)



Hunting mode

Placing the aiming circle (located in the center of view) on a target over than 5 yards away, press Power button and release quickly. The range and angle, horizontal distance reading will be displayed on LCD.

The upper part of LCD shows the angle of uphill / downhill then change to the horizontal distance that is the true distance.



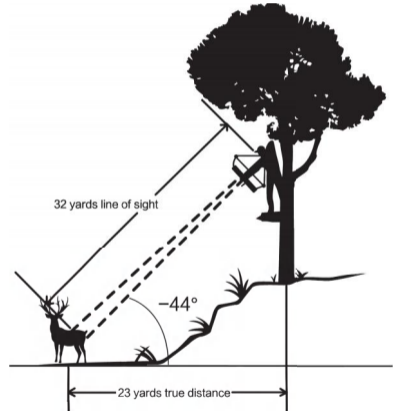
Hunting Mode Instruction

Straight-line distance between hunter and prey is 32 yards, angle is -44 -degree, horizontal distance is 23 yards. You should shoot as 23 yards instead of 32 yards. You will shoot over the top of deer if you shoot as 32 yards because of the angle.

Bow-hunters want to know true horizontal distance because that is how they practice shooting, and once they confidently know that, they can make any necessary adjustments. Giving the bow-hunter anything else other than horizontal distance creates additional confusion and uncertainty.

Many people mistakenly believe that uphill shots perform differently from downhill shots because of gravity. However, it is not due to gravity, but more of an aberration of the sighting system used on bows.




The sighting pin on a bow resides inches above the mechanical axis of the arrow. For example, when one is aiming 23 degree up an incline, the arrow is at a different angle.



3.PRODUCT SPECIFICATIONS

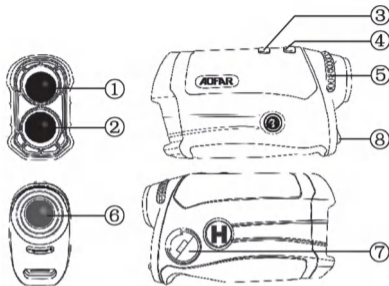
1.	Model	HX-1200T
2.	Size	106 x 72 x 43mm
2.	Weight	191g
3.	Battery	CR2-3V
4.	Measurement range	5 ~ 1200 Y
5.	Measurement error	$\pm 1 Y$
6.	Magnification	6 Times
7.	Objective diameter	25mm
8.	Eyepiece diameter	16mm
9.	Exit pupil diameter	3.5mm
10.	Laser wavelength	905nm
11.	Laser type	Class I
12.	Diopter	$\pm 3^{\circ}$
13.	Operating temperature	-10~50°C
14.	Storage temperature	-20~60°C
15.	IP Rating	IPX4 waterproof

4.DESCRPTION OF THE SCREEN DISPLAY

	+	Uphill display: The target is uphill
	-	Downhill display: The target is downhill
	1000°	Angle and horizontal distance
		Battery indicator
		Target marker: Please superimpose the center circle with target object to be measured
	10000	Measuring distance: Straight-line distance
	m Y	Distance unit display: The distance unit at your option

5.COMPONENTS NAME

- ① Laser Transmitting Objective Lens
- ② Laser Receiving Objective Lens
- ③ Units Switching Button/ "M" button (m: Meter/Y: Yard)
- ④ Power/Reading Button
- ⑤ Rotary Focusing
- ⑥ Observing Eye lens/LCD (Liquid crystal display)
- ⑦ Battery Cap
- ⑧ Sling Connecting Hole



6.HOW TO WORK AND RANGING ACCURACY

The HX-1200T range finder emits invisible, eye safe, infrared energy pulses. Sophisticated digital technology instantaneously calculates distances by measuring the time, which it takes for each pulse to travel from the rangefinder to the target and back to rangefinder.

The color, surface smoothness, size and sharpness of target will affect its reflectivity and range.

It is difficult to test in the following conditions and environments:




Raining or fogging / the target is too small / Low reflectivity of the measured object (black color, complex shape, curved surface, water surface, glass surface, mirror surface. etc.) / Low battery.


7.READY TO START (Inserting the battery)

- Remove the battery cap by rotating the cap counter-clockwise.
- Insert a CR2-3V battery.
- Put the negative pole of lithium battery into battery compartment first.
- Replace the battery cap.

Note: It is recommended that the battery should be replaced once every 12 months.

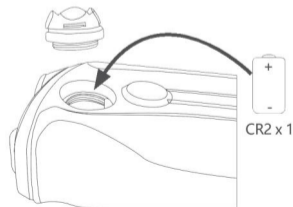
Notice: Replace the battery when Low battery indicator shows.

Display	Description
	Sufficient power available
	60%power left.
	Low battery indicator flash: Replace the battery now! *It can be turned on, but it can't shows any data. Meanwhile, vibration will be paused.

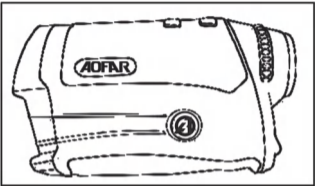
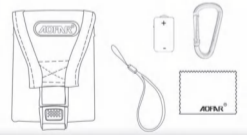
If the "  " displays and flash on LCD, which means "low battery". **It can be turned on, but it can't shows any data. Meanwhile, vibration will be paused.**

Install/Change battery

1. Open the cap counter-clockwise
2. The positive pole "+" of the lithium battery CR2 should be placed outwards. (look at the picture)
3. Tightening the battery cap clockwise after installing the battery.



8.LIST OF ARTICLES

	<p style="text-align: center;">AOFAR[®] HUNTING RANGEFINDERS</p> <p style="text-align: center;">HX-1200T</p> <p style="text-align: center;">www.aofar.com</p>
<p style="text-align: center;">Laser Rangefinder</p>	<p style="text-align: center;">Instruction Manual</p>
	
<p>Handbag, lanyard, cleaning cloth, battery and carabiner</p>	

9. USE SAFETY INSTRUCTIONS

- Preventing your instrument from falling or getting damaged and never tamper it. If there is abnormal noise, please contact customer service department of our company.
- The operating temperature for this product is $-10\text{ }^{\circ}\text{C}\sim 50\text{ }^{\circ}\text{C}$. Please use or keep the instrument within the operating temperature range and avoid using in a sharp temperature change environment.
- Please do not keep the product under the sunlight directly, high temperature or low temperature environment for a long time. (e.g. in trunk of car).
- Do not expose and aim at the sunlight.
- Do not use or store the product in the environment with strong electromagnetic radiation or magnetic field.
- If the product isn't be in use for a long time, please remove the battery and store it in a cool, dry place. It is also recommended to put this product in a dry box.
- Do not disassemble, modify or repair the product by yourself, the damage of the instrument and the irradiation of the laser may cause the visual damage and other harm.
- Please do not use it in dusty areas in order to avoid failures.
- Although the product has waterproof function, please do not get it wet or immersed in water intentionally. When there is moisture around the button, please operate it after wiping it off, and do not use it in water.
- Please confirm that the battery cover is closed tight when it be used.

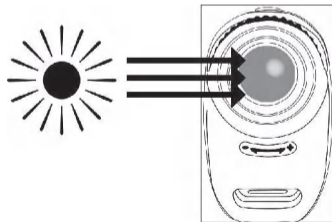
Warning!

- Do not look at the Laser Transmitting Objective Lens ①.
- Do not measure eyes of others.
- It is forbidden to detach this product yourself.
- It should be kept out of reach of the children.

Attention!

- It is normal for lens to be wet when the temperature changes suddenly. In this situation, remove the battery and do not use the device until it becomes dry.
- Moving from a cold place to a hot room of the product may dew on the appearance and internal parts. To avoid this phenomenon, please put the device in a waterproof plastic bag and take it out after its temperature has gradually increased.
- To avoid failures, do not store the product in:
 1. Unventilated and humid places
 2. The car or trunk exposed to the sun
 3. Environment with humidity over 90%

※**Please don't preserve or place the lens under the sun!**
Its radiation convergence function can harm the LCD



10.PRECAUTIONS OF LITHIUM BATTERY

- To prevent leakage, heat and fire, etc.
 - Do not disassemble and modify the product by yourself.
 - Do not throw it into fire or store it in high temperature.
 - Avoid direct contact with metal objects such as coins or keys (in a pocket or bag).
- If skin touch the leaked liquid accidentally, please rinse under cool water immediately. If eyes or mouth touch liquid leaking, do not rub. Rinse under cool water and consult a doctor.
- It must be kept out of reach of children.
- Observe treatment methods in your native policy when dropping a used lithium battery.

11.MAINTENANCE OF THE INSTRUMENT

Gently wipe the surface of lens with a clean, soft cloth to remove stains which would damage it.

If there are stains on the surface of the lens, which may damage lens. Do not touch the lens with your finger to protect the coating from the appearance.

12. TROUBLE SHOOTING TABLE

If LCD can't be turned on:

- Pressing Power button again.
- Check battery or replace it if necessary.(Determine if there is an insulator blocking the battery power)

If Distance measurement is abnormal:

- Please confirm whether the lens have dirt.
- Please make sure that the mark circle overlap your target.

It can be turned on, but the data will not be displayed:

- Low battery voltage,please change the battery.
- Out of measurement range or less than 5 yards.
- Change the measurement target.

Measurement error:

- M/Y is not switched.
- Rain and fog and small target will also affect the measurement results.

Battery power runs out quickly:

- Low ambient temperature will cause the battery power runs out quickly.
- If the battery has not been used for a long time after unpacked, the battery power will run out quickly.

13.CUSTOMER SERVICE/WARRANTY

Customer service:

Website : www.aofar.com

Customer service: service@aofar.com

Facebook: Aofar Us

AOFAR focuses on the research and development of outdoor products especially in range finder and compass, AOFAR has first-class production technology and R&D experts. Nowadays, our products are sold all over the world and very popular. We dedicate to improve customers' outdoor life by rich experience and expertise.

Warranty

The product warranty period is two years from the date of purchase.

- Please take a few minutes to register your product at www.aofar.com/account/register
- In the event of a need for service or repair, please contact AOFAR Product Service at: service@aofar.com
- For product questions, consult the AOFAR Website at: www.aofar.com or contact Customer service:service@aofar.com

Our customer service will reply you within 24 hours after receiving your message.

AOFAR UK CA

Name:Range Finder	Manufacture Date: 2022
Model: HX-1200T	Serial Number: 2561801004
Company Name: CHANGZHOU JIANFU OPTOELECTRONIC INSTRUMENT CO.,LTD.	
Address: No.2,Building 18, Chuangzhi Yungu,No.186 Hongxi Road Niutang Town, Wujin District,Changzhou City,Jiangsu,China	

AOFAR

www.aofar.com