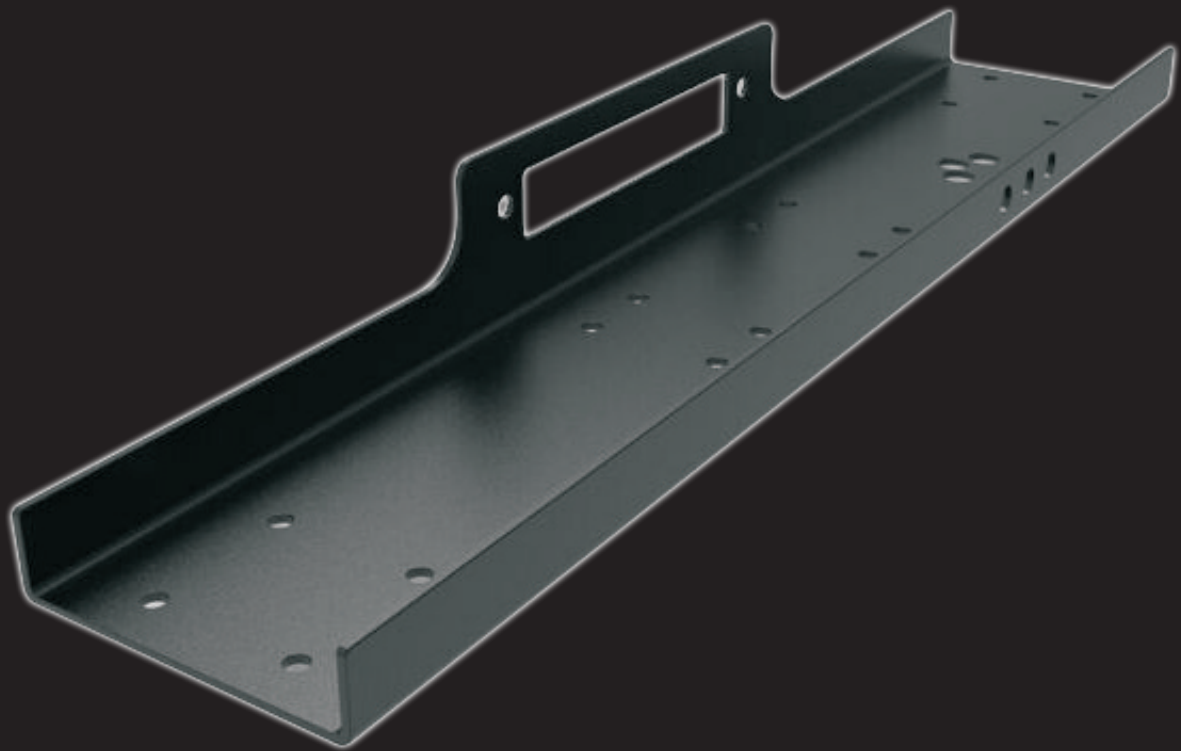


FIERYRED®
4x4 EQUIPMENT

Universal Winch Mount Plate USER MANUAL



Please read this manual carefully before use

V1.0

Fieryred, founded in March, 2016 and born of the passion to fulfill four-wheel drive lovers' demand for affordable, yet high quality 4x4 equipment, takes prides in designing, engineering and providing rock solid 4x4 products to let you rediscover the fun of off-roading.

Based in the United States, Fieryred is a professional supplier of 4x4 equipment, currently provides off-road recovery gears & tools as well as aftermarket vehicle parts that are designed to offer you ultimate experience with exceptional value.

It is the passion, coupled with a continuing commitment to quality and unswerving dedication to customer, that distinguishes Fieryred from the competition. At Fieryred, we strive to excel your expectation, and permeate that conviction into every product that wears the Fieryred brand.

Wherever your passion takes you, Make Your Own Path.

WARNINGS AND SAFETY INSTRUCTIONS

Read and understand all instructions. Failure to follow all instructions may result in serious injury or property damage.

WORK AREA SAFETY

- Keep work area clean, dry, free of clutter, and well-lit. Cluttered, wet, or dark work areas can result in injury.
- Keep children and bystanders away from the work area while operating the tool. Do not allow children to handle the mount.

PERSONAL SAFETY

- Stay alert, watch what you are doing, and use common sense when using the mount. Do not use it while you are tired or under the influence of drugs, alcohol, or medication. A moment of inattention while operating the mount may result in serious personal injury.
- Dress properly. Do not wear loose clothing, dangling objects, or jewelry.
- Do not overreach. Keep proper footing and balance at all times.

USE AND CARE

- Check for damage before each use. Carefully check that the mount will operate properly and perform its intended function.
- Store the mount when it is not in use. Store it in a dry, secure place out of the reach of children.
- Inspect it for good working condition prior to storage.
- Use only accessories that are recommended by the manufacturer for use with your mount.
- Do not weld the head of any bolt or capscrew. Metallurgical changes, after welding, can occur and cause the fasteners to become brittle and break, even under no-load conditions. This could result in personal injury or property damage.
- After use, wipe external surfaces with a clean cloth.

SPECIFICATION

Product Dimension: 36.22"L (92cm) x 6.69"W (17cm)x 3.86"H (9.8cm)

Product Weight: 18.30lbs (8.3kg)

Plate Thickness: 0.20" (5mm)

Automotive Part Type: Mount

General Part Type: Mount

Color: Black

Material: Forged Iron

Winch Compatibility: 9,000~14,500lbs (4,082~6,577kg) Winches with 6.57 x 4.49" (167 x 114mm) or 10.04 x 4.49" (255 x 114mm) Mounting Holes, 10" (254mm) Roller or Aluminium Hawse Fairlead

Surface Finish: Electrostatic Spray Painting

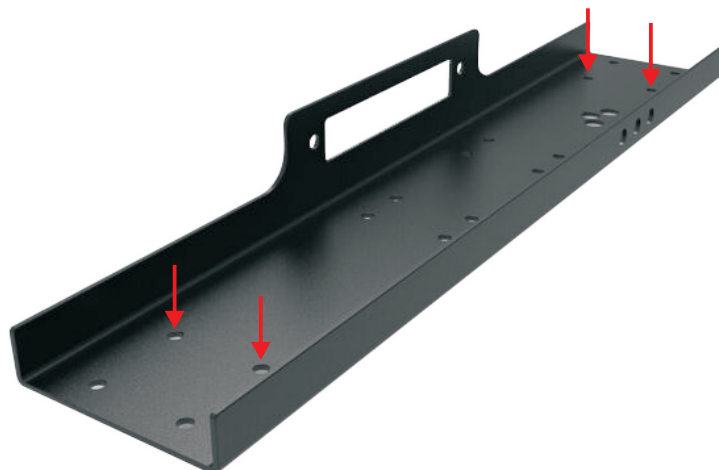
Mounting Holes: M10 & M19

MOUNTING

1. Front Mount

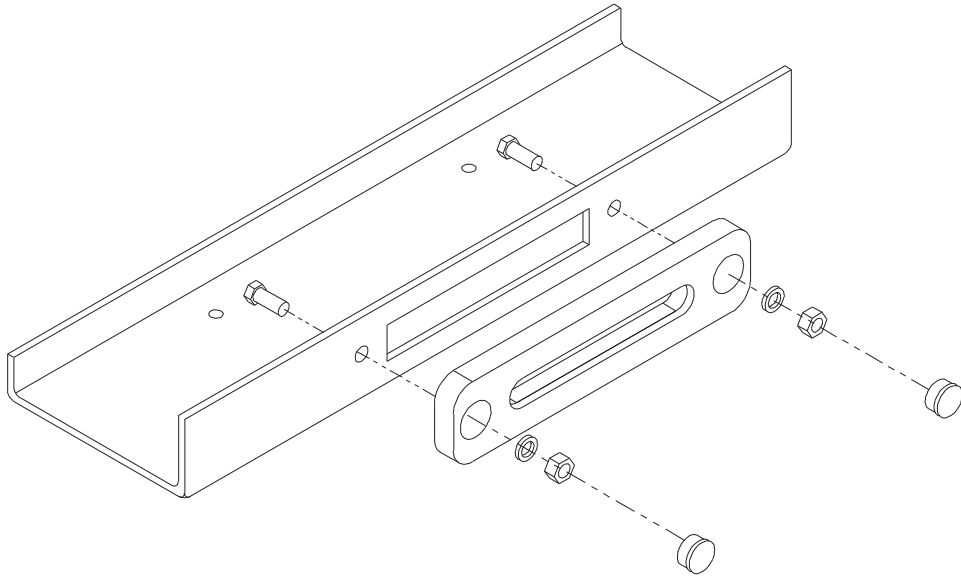
Preparing the Vehicle

- Locate an ideal area to install the winch mount plate on the bumper of the vehicle.
- Position the winch mount plate on the ideal area, and mark 4 proper holes on the bumper.
- Drill the 4 holes on the bumper. Make sure there are no electrical wires, plumbing lines, gas lines or any other hazards in the way.

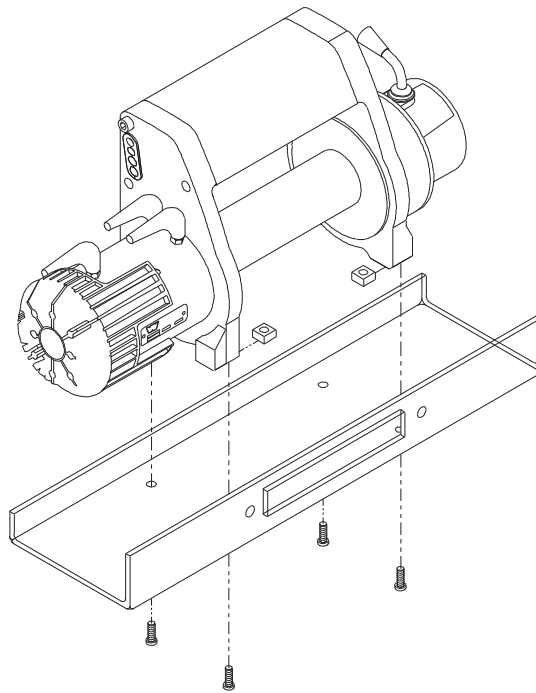


Mounting the Winch

- Install the fairlead on the front of the plate with capscrews, lockwashers, nuts & cap plugs (not included). Insert the fairlead capscrews from the inside of the plate with the lockwashers and nuts against the fairlead. This will provide clearance for the winch.



- Attach the winch to the plate with capscrews, lockwashers and nuts (not included).



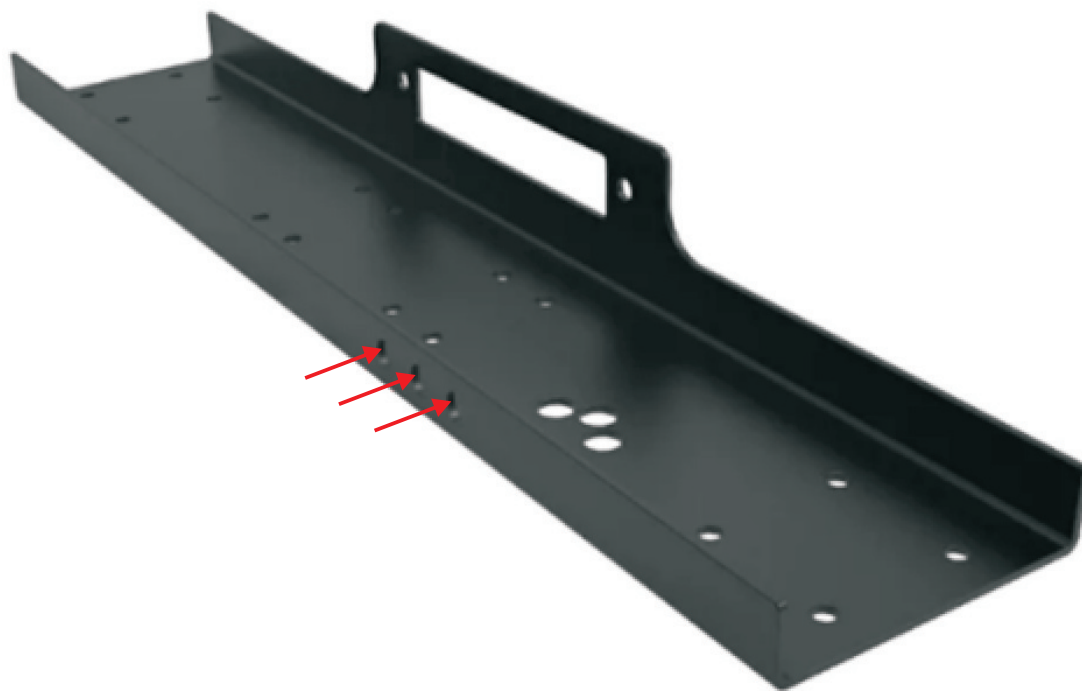
Mounting the Plate with Winch onto Vehicle

- Position the winch mount plate against the ideal area with the 4 holes aligned, and secure the plate with screws, washers and nuts (not included).

2. Rear Mount

Preparing the Vehicle

- Locate an ideal area to install the winch mount plate at the rear of the vehicle. To ensure a level installation, draw up a line as a guide to determine the preferred height.
- Position the winch mount plate against the drawn line. Once the winch mount plate is aligned at the preferred height, mark the 3 holes on the vehicle.
- Drill the 3 holes on the vehicle. Make sure there are no electrical wires, plumbing lines, gas lines or any other hazards in the way.



Mounting the Plate

- Position the winch mount plate against the ideal area with the 3 holes aligned, and secure the plate with screws, washers and nuts (not included).

Mounting the Winch

- Mount the winch according to the steps in the section Front Mount.



WARRANTY

Fieryred ("Manufacturer") warrants to the original buyer ("User") that its winch mount plate sold hereunder shall be free from defects in workmanship or materials and conform to Fieryred's specifications for this product under normal installation, use and maintenance conditions from the date sold and for the duration (the "Warranty Period") of 1 YEAR.

If it fails to operate during the limited warranty period due to defects in materials or workmanship, Fieryred will, at its option, replace it with the same or similar product, or issue a refund.

This limited warranty is provided by Fieryred and there are no other warranties, expressed or implied, except as required by law, including warranties of merchantability and fitness for a specific purpose, that are provided for herein, however all such implied warranties, if any, are limited to the duration of this specific limited product warranty. Oral statements or representations about the product do not constitute warranties.

THIS LIMITED WARRANTY DOES NOT COVER:

- normal wear and tear;
- damage through abuse, neglect, misuse, or as a result of any accident or in any other manner;
- damage from misapplication, overloading, or improper installation;
- improper maintenance and repair; and
- product alteration in any manner by anyone other than Us.

REPAIR AND REPLACEMENT:

If a Fieryred product is suspected of being defective, you'll need to provide proof of purchase (e. g. a screenshot of the order) and a picture and a video of the damaged goods in their entirety to sales@Fieryred.com. If the product is found to be defective and covered by this limited warranty, the remedy is repair, replacement or refund, at Fieryred's option. A repaired or replacement product will be warranted to be free from defects in workmanship and materials under normal use. Removal, installation, or reinstallation costs are not covered by this limited warranty.

