

CAR STORAGE BAG USER MANUAL

SH-CG-S4015-BN



ABOUT US

Founded in 2018, the San Hima brand stands for passion and enthusiasm for exploring the spectacular nature of the great outdoors. Since its inception, the trusted solutions and proven designs that San Hima offers to the market have made adventure and travelling flexible and enjoyable!

Based in Australia, San Hima has under its umbrella a wide selection of outdoor solutions, including cargo systems, vehicle protection accessories and tow & trailer parts, that are designed to help you carry your gear wherever your passion takes you and boost your performance when conquering the peaks!

At San Hima, we have wild souls and we are committed to designing products that are tough enough to take on any adventures and at the same time, making them safe and easy to use. These values in our conviction are what drive us to make innovations. Since pursuit your passion shouldn't be complicated.

Live the Peak, Conquer the Everest, San Hima is your brand of choice!

CAUTION

- Read all instructions thoroughly before installation.
- Please note that maximum weight rating of this car organizer is 20kg.
- Keep this car organizer away from excessive heat or direct sunlight.
- Use wet cloth to clean your organizer, DO NOT wash it.
- Fold up and store this car organizer in a clean and dry place when not in use.
- Before storing articles that have sharp edges or corners, wrap them in paper or a blanket so their sharp edges or corners will not damage the soft cargo organizer.
- This car organizer fits most cargo drawers, such as ARB Outback Solutions, TJM MOD X DRAWER SLIDING TOP 1400MM, TJM AEROKLAS DRAWER SYSTEM 1400, MSA Explorer Cargo Drawer Systems E930A, E930, E1030, E1350, and KINGS Titan 1300mm Single Ute Drawers.

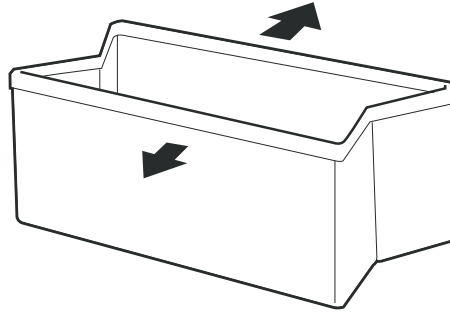
PARTS LIST

1 PC(s) San Hima Car Storage Bag

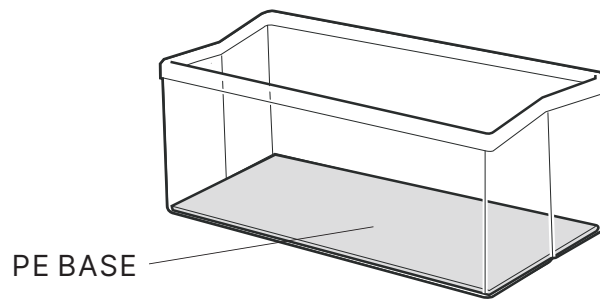


INSTALLATION INSTRUCTIONS

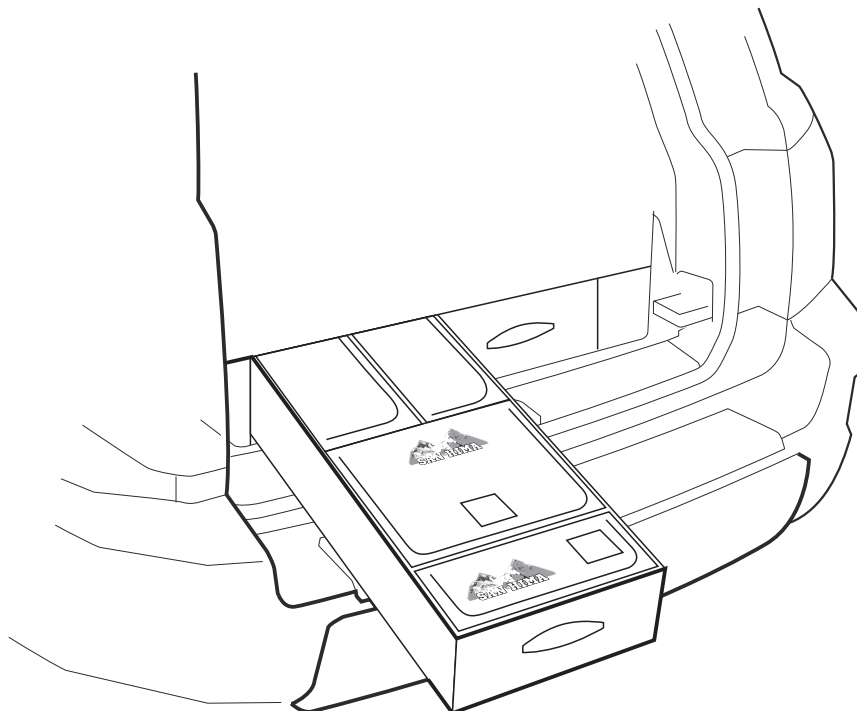
1. Open the storage bag.



2. Place the PE base to the bottom of the storage bag.



3. Place it in the drawer of the vehicle.





WARRANTY

Your car storage bag is covered by the following Limited Warranty provided exclusively by San Hima, which is the ONLY warranty made in connection with your purchase.

San Hima neither assumes nor authorizes any vendor, retailer or entity to assume for it any other obligation or liability in connection with this product or Limited Warranty.

What is covered: subject to the terms, exclusions and limitations herein and with respect only to San Hima branded accessories, San Hima warrants to the initial purchaser ONLY that your San Hima accessory shall be free of defects in material and workmanship: for a period of ONE (1) year from date of purchase.

This Limited Warranty is not assignable and shall terminate upon sale of the vehicle upon which the San Hima accessory is installed.

San Hima reserves the rights to:

- (a.) require invoice or other proof your accessory is within the terms of this Limited Warranty as a condition of warranty service and,
- (b.) make future revisions to this product and Limited Warranty without prior notice or obligation to upgrade your product.

What is Not Covered:

This Limited Warranty does not cover products or parts San Hima determines to have been damaged by or subjected to:

- (a.) installation damage, alteration, modification, failure to maintain or improper repair or service,
- (b.) normal wear & tear, cosmetic damage or damage from moisture or water immersion,
- (c.) accidents, misuse, negligence, inadequate mounting or impact with vehicle(s), obstacles or other aspects of the environment,
- (d.) theft, vandalism or other intentional damage.