

**E-BIKE HITCH BIKE RACK SGBR015
INSTALLATION INSTRUCTIONS**

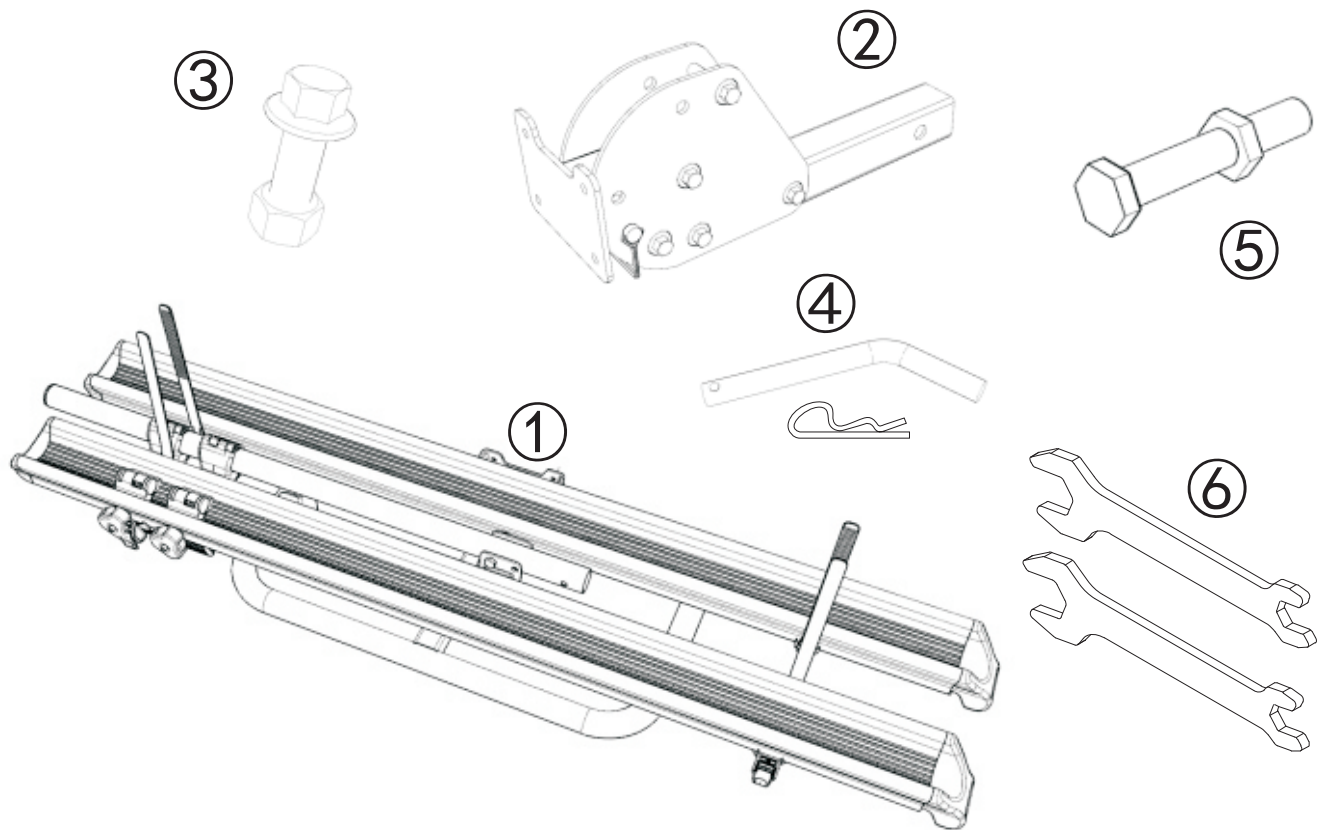


WARNING

- The rack and its parts must not be modified in any way.
- Remove this rack before entering an automatic car wash, and when not in use.
- Ground clearance of 10" or higher is recommended.
- Drive slowly over speed bumps, 5-10 mph (8-16 kph) max.
- The vehicle's total length or height may increase when a rack is mounted. The e-bikes themselves may increase the vehicle's total width or height. Take special care when reversing or entering garages.
- Be aware that the vehicle's driving characteristics and braking behavior might change and that the vehicle might become vulnerable to side winds when the rack is fitted.
- Do not position e-bike tires directly in back of your vehicle's hot exhaust.
- Please note that this e-bike rack accommodates tires up to 3.35" (8.5cm) wide and bike wheelbases up to 53.15" (135cm).
- Not for use with tandems or recumbents.
- Do not transport e-bikes with attached baby seats, panniers, wheel covers, or full bike covers.
- Be sure all hardware is secured according to these instructions.
- Verify that e-bikes are secured to the rack before operating your vehicle.
- Read your e-bike owners manual about safe keeping of the battery. Follow all guidelines and consider removing the battery if concerned about theft, damage or performance loss from prolonged heat/cold.
- The vehicle's tail lights can be obstructed. If that is the case, an external light board must be fitted.
- An additional number plate might be required. This should be attached to the appropriate part of the rack in accordance with local laws.
- Be aware that wind noise may be generated during transport and may vary depending on the vehicle and load.

CONTENTS

1	San Hima E-Bike Rack With Ramps	1x
2	Tongue	1x
3	Bolt,Nut & Washer	4x
4	Clevis Pin & R Clip	1x
5	Hitch Bolt & Nut	1x
6	Wrench	2x



PARAMETER

Hitch size: 2"

Maximum load capacity:

2 e-bike capacity, 77lbs (35kg) per bike on road, 46lbs (21kg) per bike off road

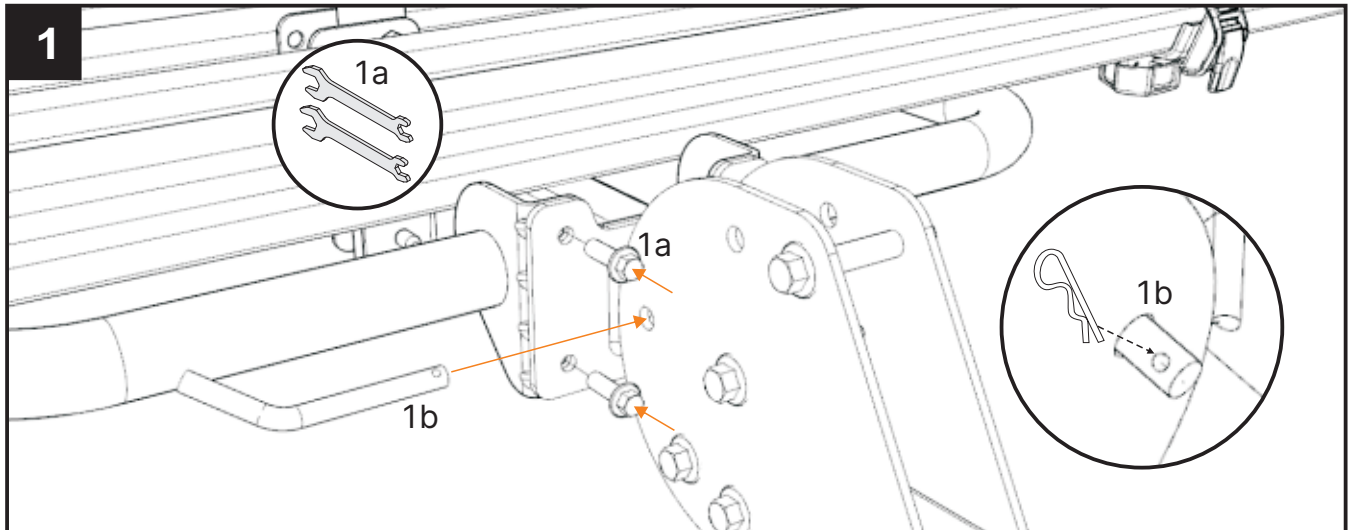
Tire width: up to 3.35" (8.5cm)

Wheelbase: up to 53.15" (135cm)

INSTALLATION

1. Assemble the tongue to the rack

- Align holes on the tongue to those on the rack.
- Install bolts, washers and nuts, and tighten them with wrenches.(1a)
- Install the clevis pin & R clip on the tongue.(1b)

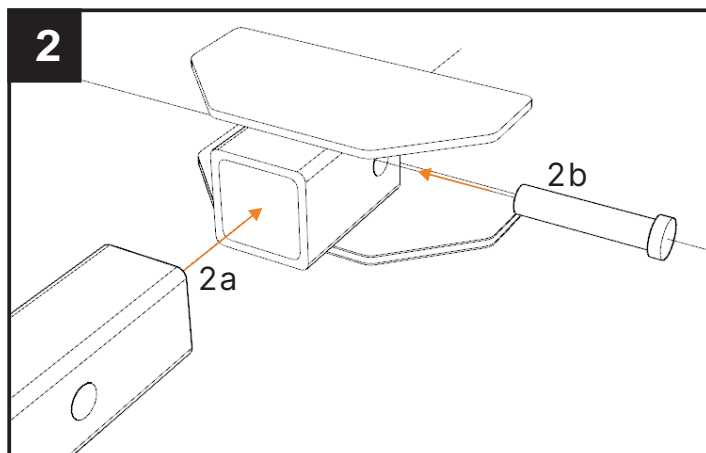


2. Install the tongue into your hitch receiver

- Insert the tongue into the hitch receiver.(2a)
- The hole on the tongue must align with that on the hitch receiver.
- Install the hitch bolt & nut.(2b)

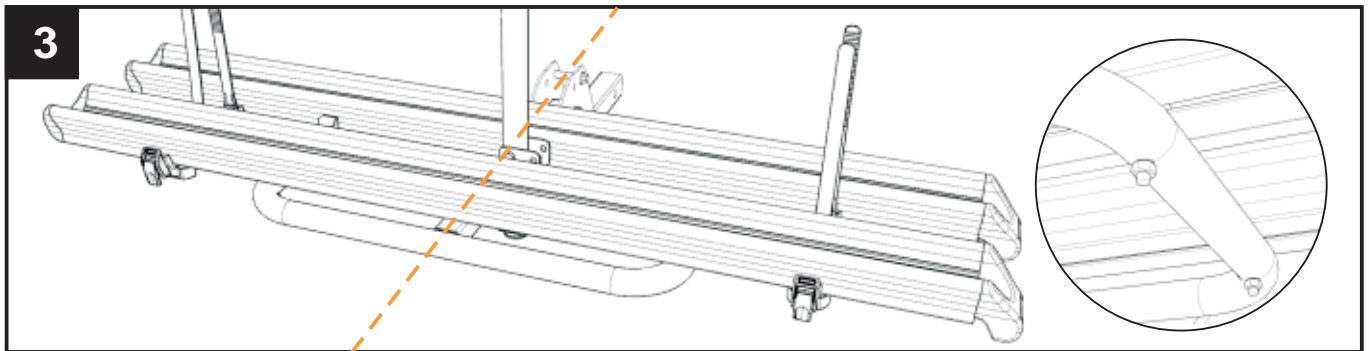
Warning: Attachment hardware can loosen over time. Check before each use, and tighten if necessary.

Note: This product is not designed for vehicles with a rear mounted spare tire. For vehicles with a rear mounted spare tire, a hitch extension is required.



3. Center the trays

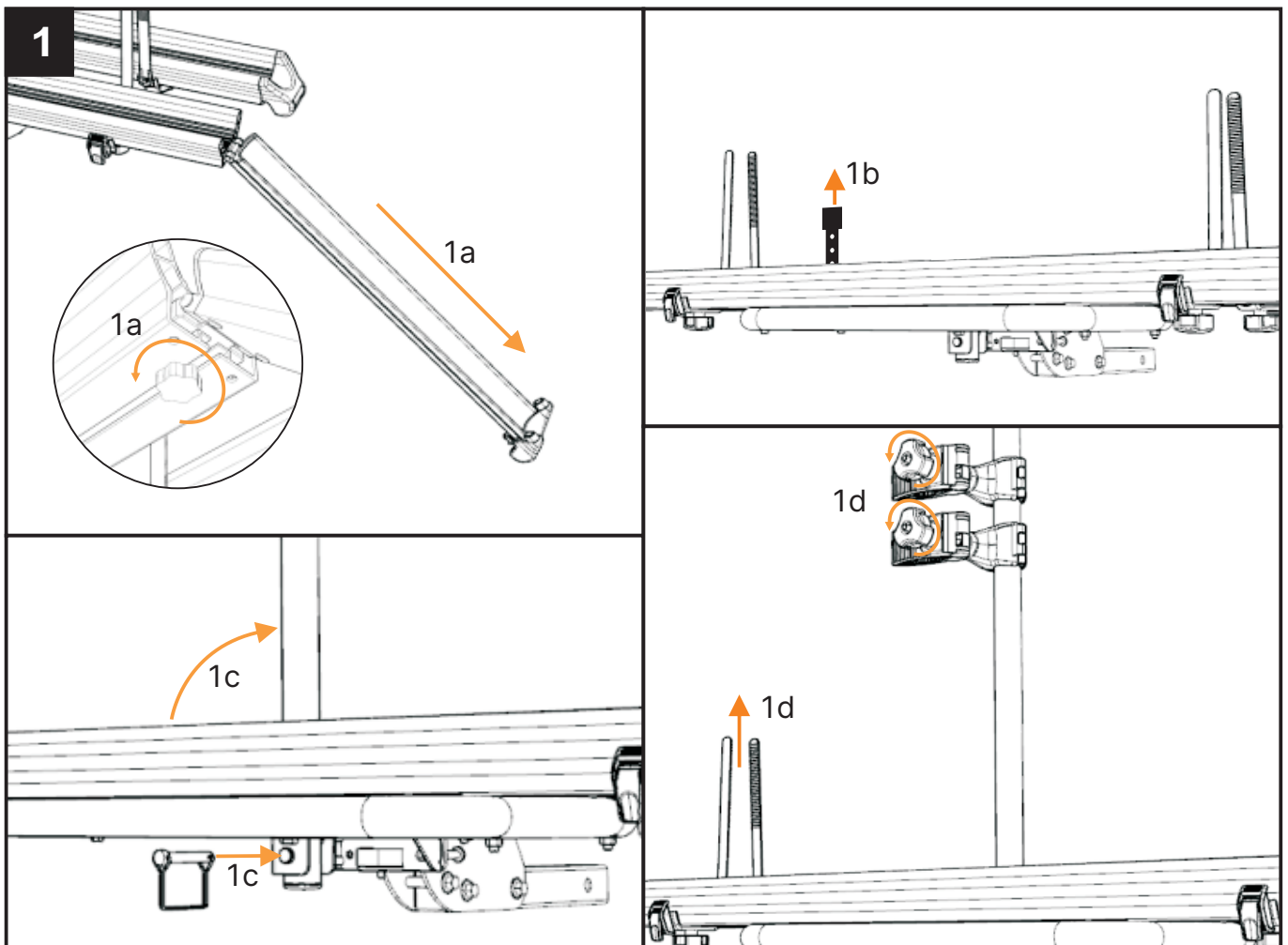
- Loosen the underside nuts and center the trays. Then tighten the underside nuts.



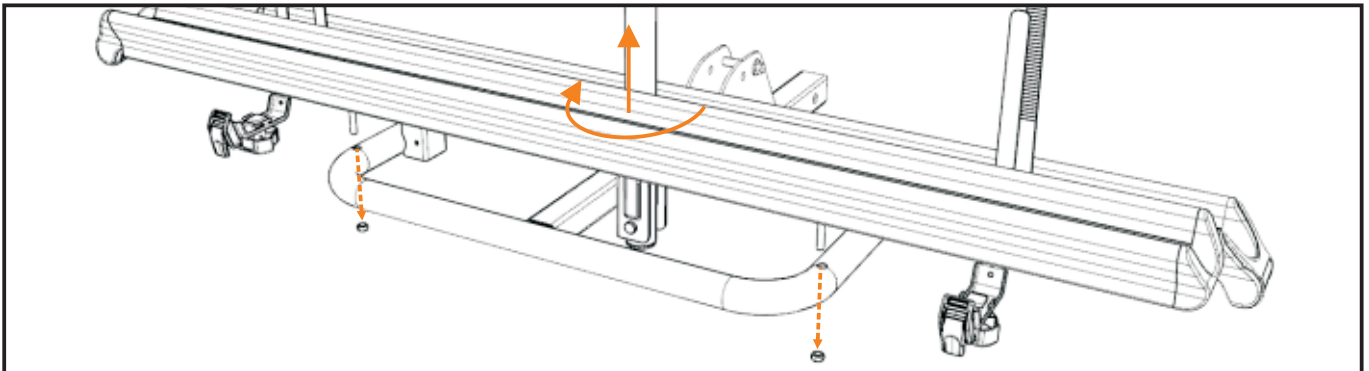
LOADING

1. Prepare for loading

- Loosen the ramp knobs and pull out the whole ramps.(1a)
- Unbuckle the strap that secures the mast.(1b)
- Pull the security pin & clip and raise the mast. Then insert the security pin & clip in place.(1c)
- Slightly loosen the stabilizer knobs and rotate them out of the way. Unbuckle the straps.(1d)



Note: You can roll your e-bikes onto the trays from either the left or the right by unscrewing the screws under the trays, then lifting and reversing the whole trays.



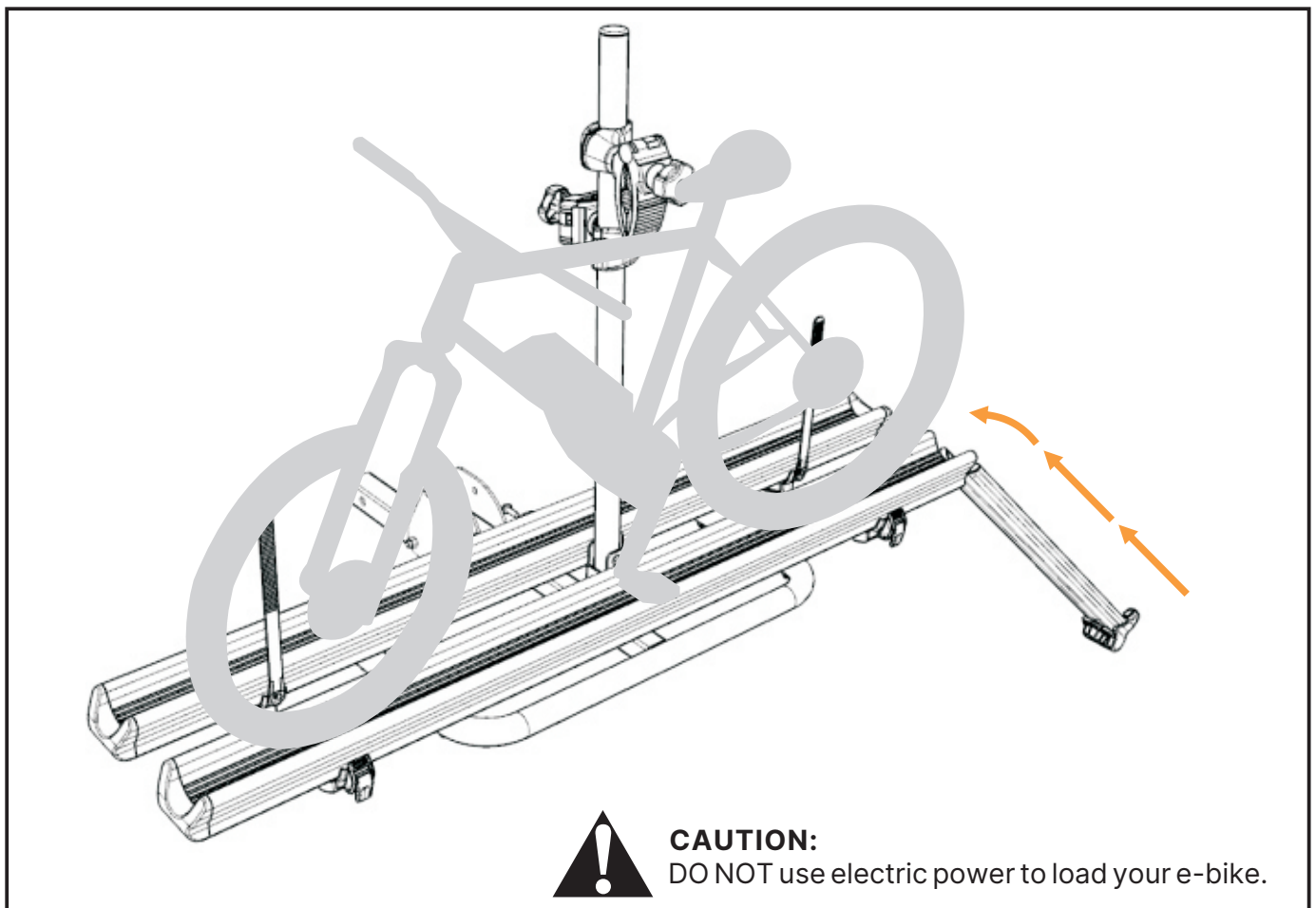
2. Roll your e-bikes into place

- Roll your e-bikes up the ramps and onto the trays.

Note: E-bikes can be loaded in the same or opposite directions.

Caution: Do not use electric power to load your e-bikes.

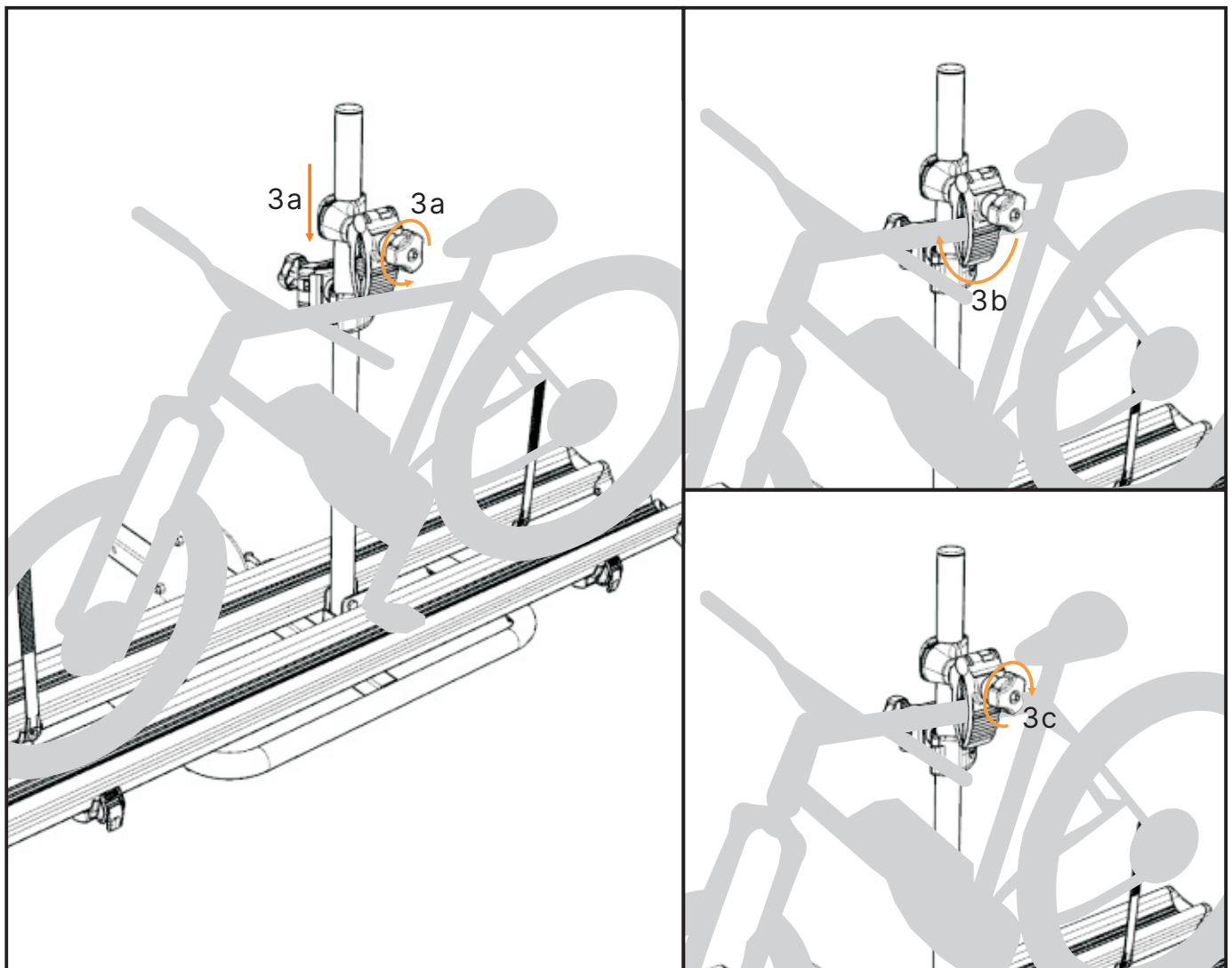
Recommendation: Carry the heavier e-bike on the inside tray. Always center e-bikes on the trays.



3. Secure the e-bikes with the stabilizers

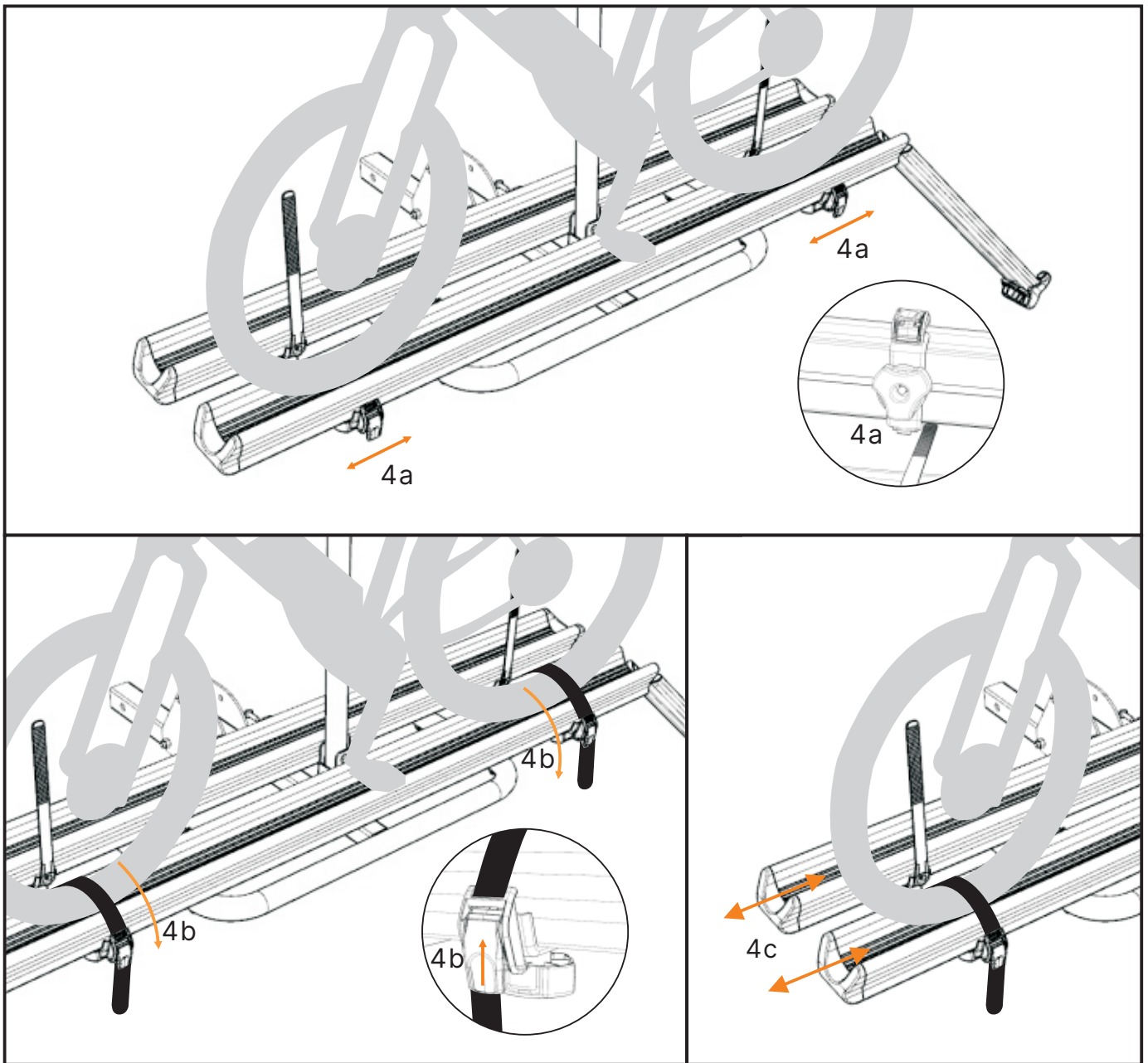
- Loosen the stabilizer knobs and adjust the height of stabilizers.(3a)
- Rotate the stabilizers toward the e-bikes and adjust their positions so that they engage with the frames or seat posts of the e-bikes.(3b)
- Clamp the frames or seat posts. Once positioned, tighten the stabilizer knobs.(3c)

Caution: Loose stabilizer knobs may cause damage to e-bikes, vehicle and persons.



4. Secure the wheel straps

- Loosen the strap knobs and adjust the straps so that they are located below the axles. (4a)
- Thread the straps around the tires and through the buckles, and pull up the gray release tabs to tighten. (4b)
- If you load 2 e-bikes, you can offset the trays as needed to clear saddles and handlebars.(4c)



Store the ramps (see Figure 1.)

When the ramps are not in use, push them into the trays and tighten the ramp knobs.

Unloading

- Loosen the ramp knobs and pull out the ramps.
- Press the gray release tabs on the buckles and release the straps.
- Loosen the stabilizer knobs to release the clamps.
- Roll your e-bikes onto the ground.
- Push the ramps into the trays and tighten the ramp knobs.

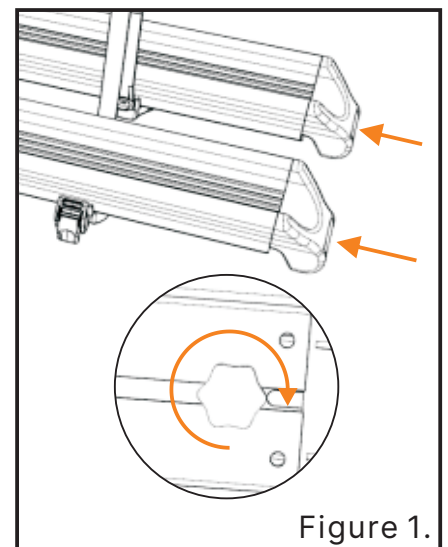


Figure 1.

Tilt (see Figure 2.)

- Remove the clevis pin & R clip and install them into the lower hole.(a)
- Remove the security pin & clip while supporting the load.(b)
- Slowly and carefully lower the rack.(c)

Caution! The tilt feature requires 2 PEOPLE to operate. One person MUST support the load while the other removes the security pin & clip. Do not put any part of your body under the rack while tilting. Be careful to avoid hitting your head.

Storage (see Figure 3.)

- Unload your e-bikes by following Unloading steps.
- Remove the security pin & clip of the mast and fold down the mast.
- Then insert the security pin & clip in place.
- Buckle the strap to secure the mast.
- Remove the clevis pin & R clip.
- Fold up the e-bike rack.
- Install the clevis pin & R clip into the higher hole.

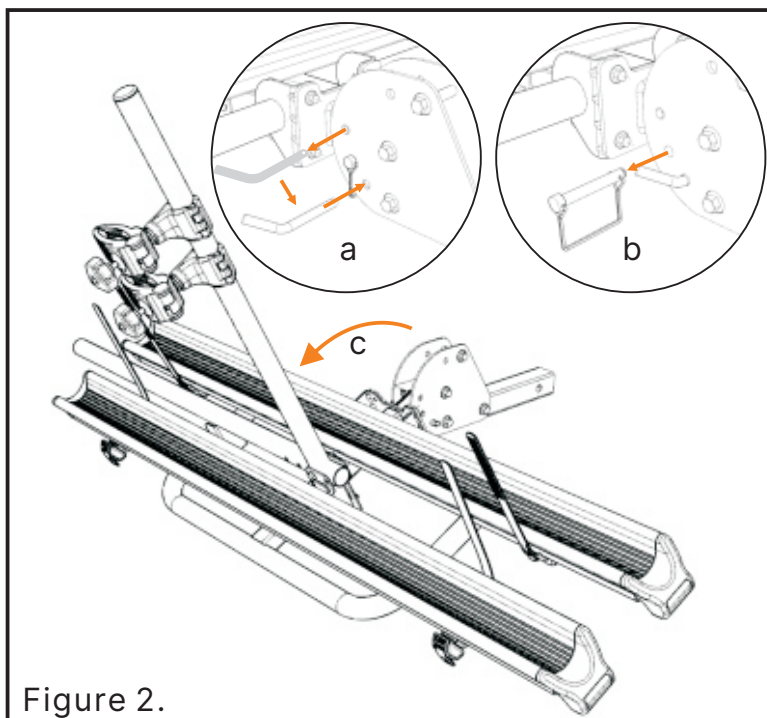


Figure 2.

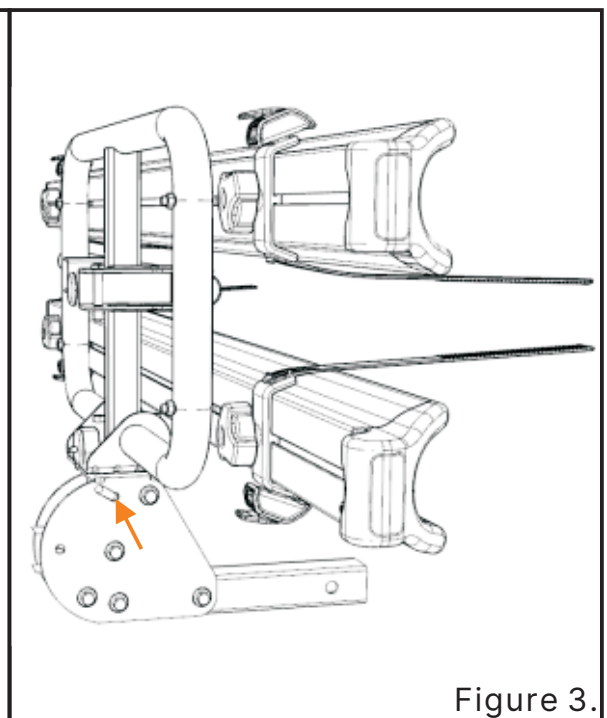


Figure 3.

Removal

- Unload your e-bikes.
- Remove the hitch bolt & nut.
- Remove the rack from your vehicle.
- Store the rack in a safe place.



WARRANTY

San Hima warrants that each of e-bike rack that is purchased while this Warranty is in effect will be free from defects in materials and workmanship for a period of 5 years from the date of receiving the product from San Hima or its authorized distributor/dealer. If it is believable to be defective during the 5-Year Warranty Period, San Hima will, at its option, repair it, replace it with the same or similar product, or will issue a refund for the defective San Hima product. And San Hima will pay for the cost of shipping or transportation of a defective component. This warranty terminates if a purchaser transfers the product to any other person. And please retain your purchase receipt for your records.

Please ensure that the San Hima e-bike rack should be fit in accordance with warnings and recommendations listed in the user manual, and should be used for the purpose for which it was designed.

Any and all warranty coverage does not cover: normal wear and tear, incorrect fitting, damages as a result of failure to follow information in the user manual, unusual, improper or negligent use or misuse or overloading, using the San Hima e-bike rack other than for the purpose for which it was originally designed, failure to follow relevant vehicle safety and compliance laws, misuse or neglect, improper repair or maintenance, alteration, abuse, acts of nature, terrorism, vandalism, collision, road hazards or adverse conditions.

If further information or investigation is required or if the claim does not meet the requirements under our warranty, San Hima'll let you know.