

FIERYRED®
4x4 EQUIPMENT

7" LED DRIVING LIGHT USER MANUAL



Read and understand the warning and cautionary points and installation instructions and keep this manual close at hand for reference.

V1.0

Fierired, founded in March, 2016 and born of the passion to fulfill four-wheel drive lovers' demand for affordable, yet high quality 4x4 equipment, takes prides in designing, engineering and providing rock solid 4x4 products to let you rediscover the fun of off-roading.

Based in the United States, Fierired is a professional supplier of 4x4 equipment, currently provides off-road recovery gears & tools as well as aftermarket vehicle parts that are designed to offer you ultimate experience with exceptional value.

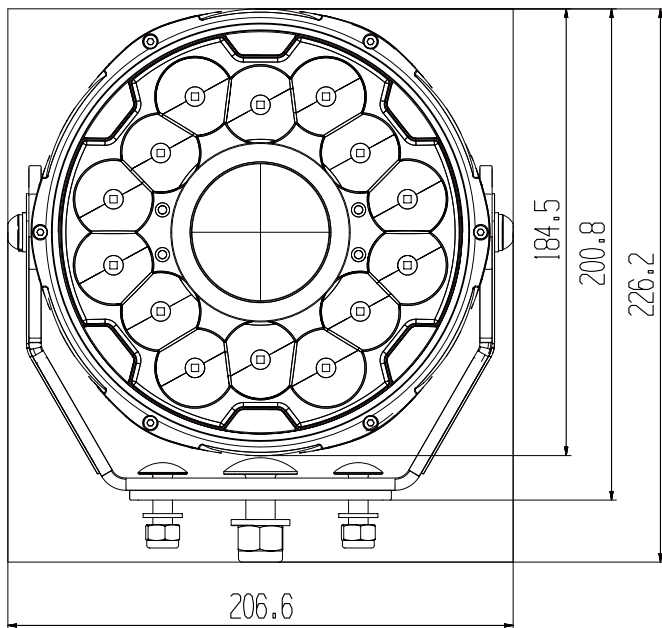
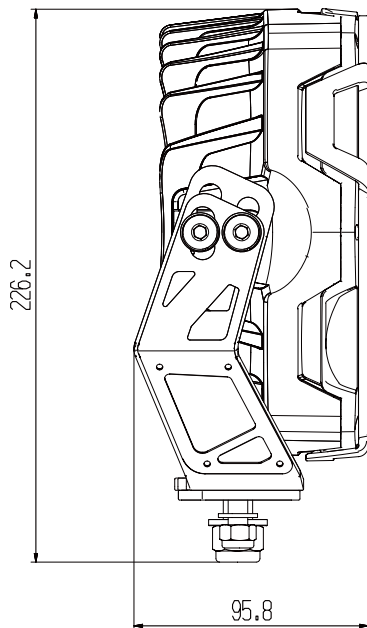
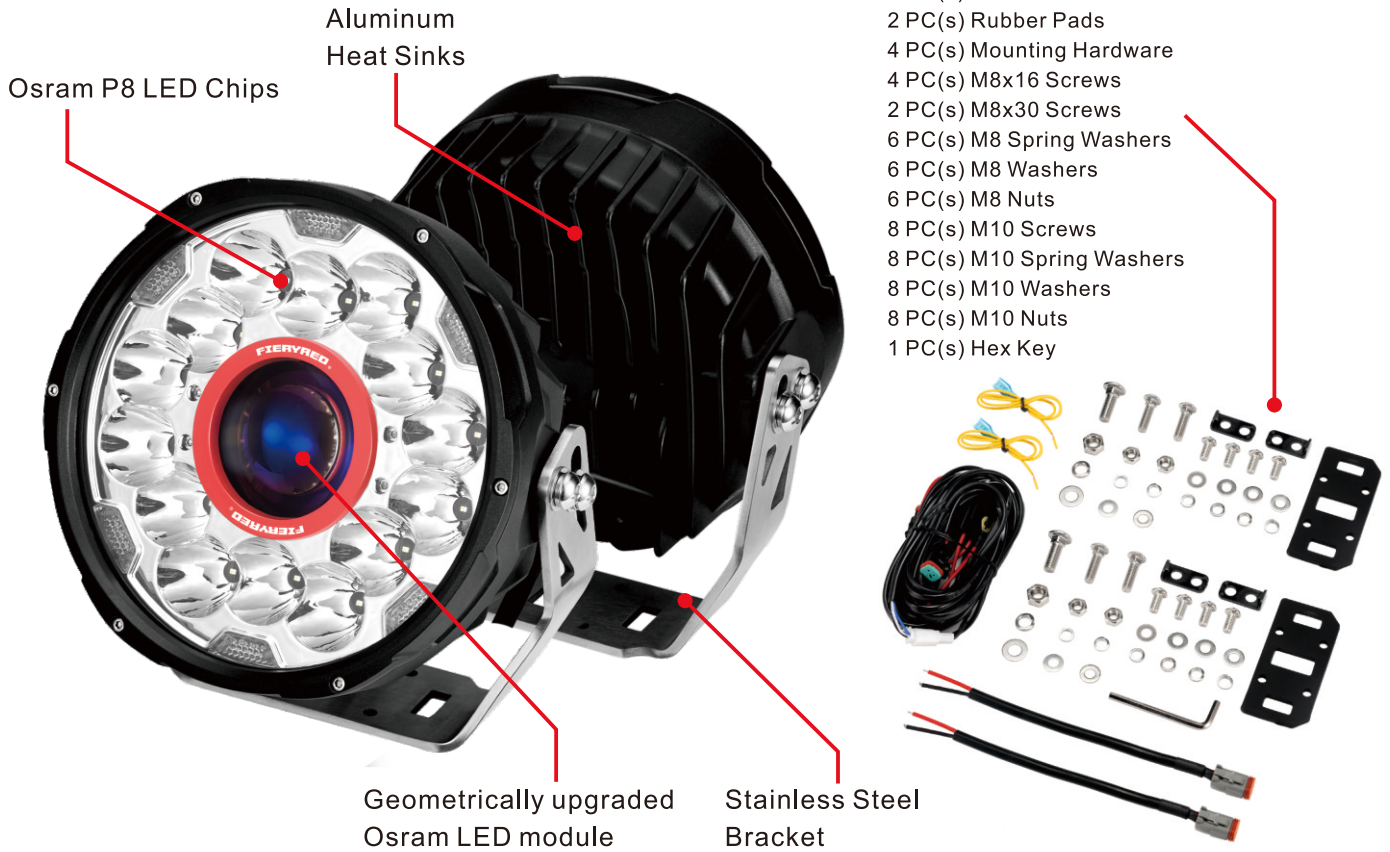
It is the passion, coupled with a continuing commitment to quality and unswerving dedication to customer, that distinguishes Fierired from the competition. At Fierired, we strive to excel your expectation, and permeate that conviction into every product that wears the Fierired brand.

Wherever your passion takes you, Make Your Own Path.

WARNING AND CAUTIONARY POINTS

- For your safety, read and understand this manual thoroughly before installing, operating the Fieryred LED driving light.
- To properly install this product, you must have a good understanding of automotive mechanical and electrical procedures and systems, along with proficiency in the installation of this product. ALWAYS refer to the vehicle's service manuals when performing equipment installations on your vehicle.
- When drilling into a vehicle, ensure that both sides of the surface are clear of anything that could be damaged. All drilled holes should be deburred, and all sharp edges should be smoothed. Failure to observe this warning could cause serious injury or death.
- Before installation, please make sure that there is no signs of damage. Should there be any, consult Fieryred and DO NOT use this product.
- DO NOT install this light in an area that would block, impair or blind the driver's vision.
- Make sure the light is installed securely before driving. Check for any loose screws that hold the light in place before driving. If you find any loose screws or bolts, tighten them securely.
- Please wear protective eyeglasses and insulating gloves before installation. DO NOT wear any metallic items such as watches, bracelets, etc.
- AVOID flames or corrosive chemicals during installation or operation.
- ALWAYS disconnect any power sources connected to your vehicle before servicing fuses or electrical systems.
- DO NOT switch the light on and off in short intervals, as such action will shorten its lifespan.
- DO NOT disassemble the light as such action will not only cause potential damage to your light, but also void the warranty.
- The light and its harness are intended for automobile use ONLY. DO NOT use for any other purpose.
- If the light is kept on when the engine is not running, it may drain the battery.
- Make sure the engine compartment is adequately cool before starting work. DO NOT begin work if engine parts such as radiator, oil-cooler or turbo part are still hot.
- DO NOT add additional holes to the main body of the light. Also, DO NOT apply adhesives or stickers to the light parts.
- DO NOT modify the harness in any way. Such modifications may cause it to overheat or short. In some cases, it may cause the vehicle to catch fire.
- After installing the light, make sure the headlight, wipers and horn are working normally.
- This Fieryred LED driving light is designed to operate from 9V-32V ONLY.
- DO NOT leave any part of the light within children's reach, as they might cause potential danger.
- DO NOT use a caustic or petroleum based cleaner on any surface of the driving light.
- Regularly inspect condition of the wiring and ensure the connections are clean and tight.
- Disconnect ground connection from battery (-) to avoid accidental short circuits before attempting to connect electrical wires.

PRODUCT DETAILS



Dimension: 7"

Housing: Aluminum

Lens Cover: Strengthened PC

Operating Temperature Range: -40°C (-40°F) ~ 150°C (302°F)

Waterproof: IP67 Rating

Expected Lifespan: 50,000 Hours

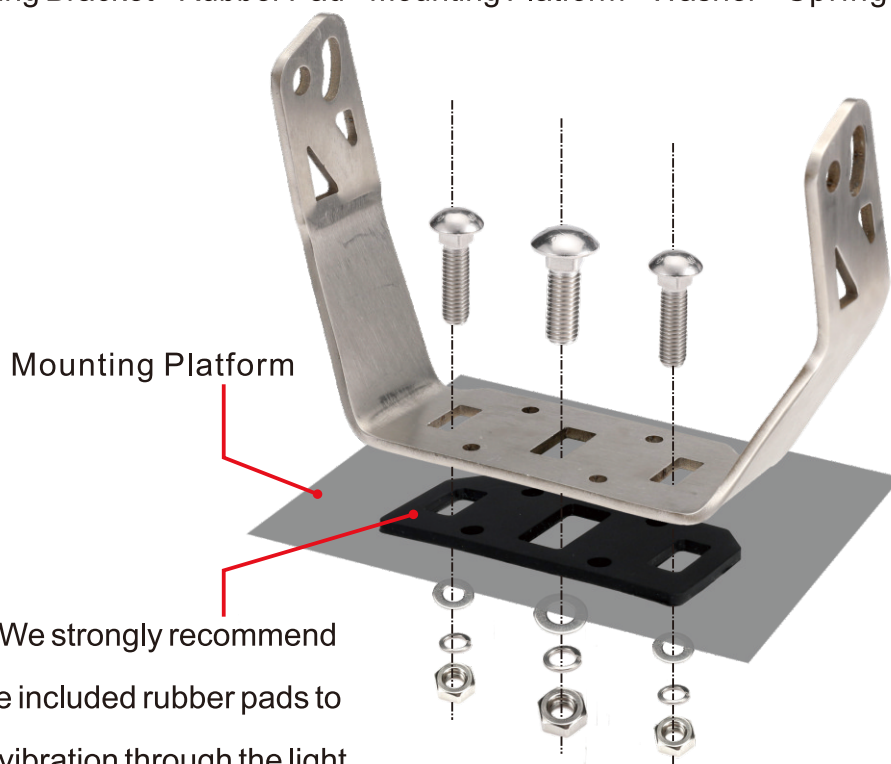
Relative Light Intensity: 78% (150°C)

INSTALLATION INSTRUCTIONS

1. Please follow the order of installation displayed in the diagram.
2. Best described using the diagram below, the mounting bracket should be assembled in order of components: Black Mounting Hardware> Mounting Brakcet> Washer> Spring Washer> Bolt.

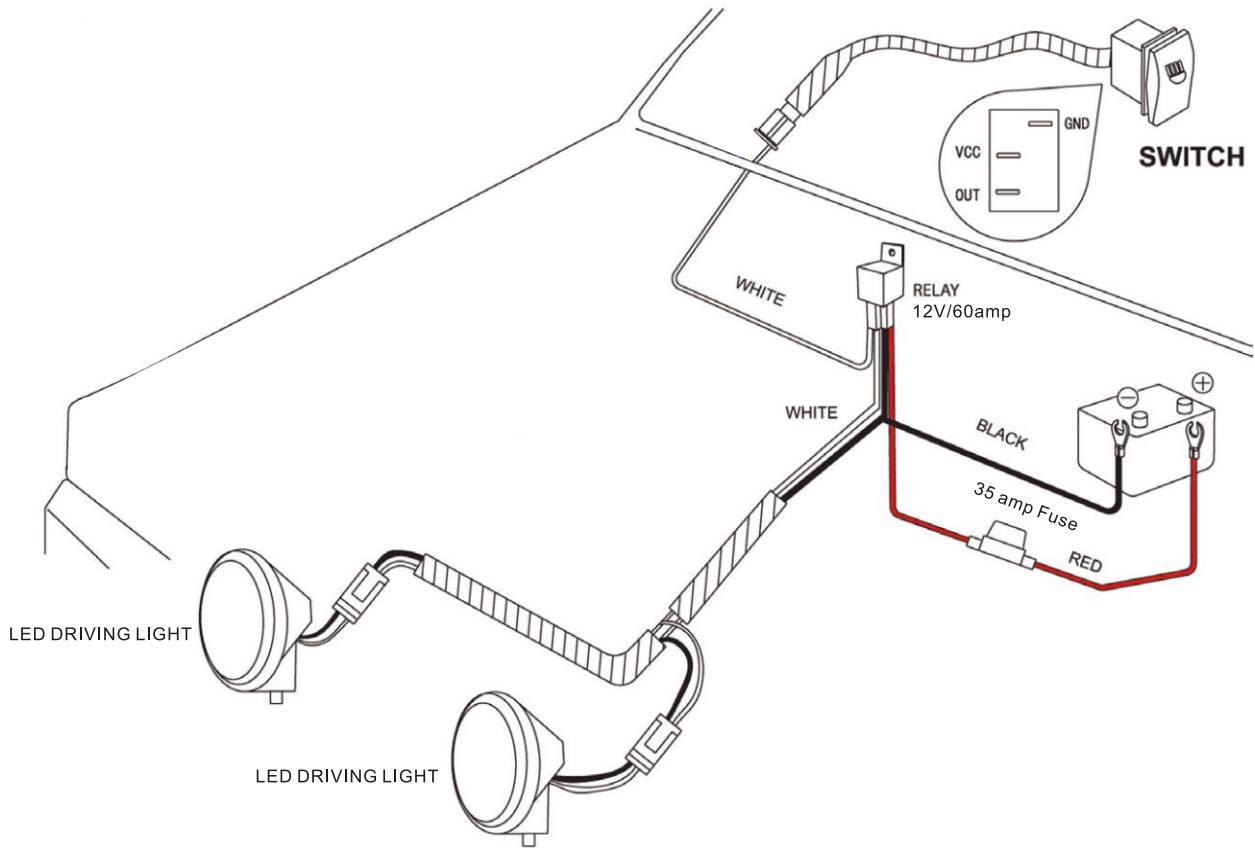


3. When mounting to the desired application, the order of the hardware is as follows: Bolt > Mounting Bracket> Rubber Pad> Mounting Platform> Washer> Spring Washer> Nut.



NOTE: We strongly recommend using the included rubber pads to prevent vibration through the light.

WIRING DIAGRAM



Warning! We recommend contacting your local dealership if you are unable to locate the accessory fuse slot in your car.



WARRANTY

Fieryred warrants to the original buyer that on the date of purchase, this product will conform to Fieryred's specifications for this product and will be free from defects in materials and workmanship. This limited warranty extends for 5 YEARS from the date of purchase. If it fails to operate during the limited warranty period due to defects in materials or workmanship, Fieryred will, at its option, repair it, replace it with the same or similar product, or issue a refund.

Fieryred makes no other warranties, expressed or implied. The implied warranties for merchantability, quality or fitness for a particular purpose, or arising from a course of dealing, usage or trade practice are hereby excluded and shall not apply to the product and are hereby disclaimed, except to the extent prohibited by applicable law. Oral statements or representations about the product do not constitute warranties.

THE WARRANTY DOES NOT COVER:

Damage to parts or products resulting from tampering, accident, abuse, misuse, negligence, unapproved modifications, fire or other hazard; improper installation or operation; unauthorized repairs, submersion, theft, vehicle crash; or not being maintained in accordance with the procedures set forth in Fieryred's instructions voids this limited warranty.

Damages whatsoever (including, without limitation, consequential damages, incidental damages, or damages for loss of use, loss of profits, loss of time, inconvenience, or other losses, etc) arising out of the misuse, or inability to use a Fieryred product.

REPAIR AND REPLACEMENT:

If a fieryred product is suspected of being defective, you'll need to provide proof of purchase (e. g. a screenshot of the order) and a picture of the damaged goods in their entirety to *fieryred.com*.

If the product is found to be defective and covered by this limited warranty, the remedy is repair, replacement or refund, at Fieryred's option. A repaired or replacement product will be warranted to be free from defects in workmanship and materials under normal use. Removal, installation, or reinstallation costs are not covered by this limited warranty.

For more information, please visit <https://fieryred.com/>

