



Solar Panel Mounting Brackets

USER MANUAL



ABOUT US

ATEM POWER, born in June 2017, as a synonym for exciting outdoor experience, is an Australian company with dedication and passion for the R&D of high quality products in the field of renewable energy products, batteries and related accessories.

Since the company was founded, we have committed to innovation that aims to make your life infinitely more convenient. And the belief in our conviction for quality and commitment allows us to innovate in developing products that are optimally tailored to the needs of our amazing customers.

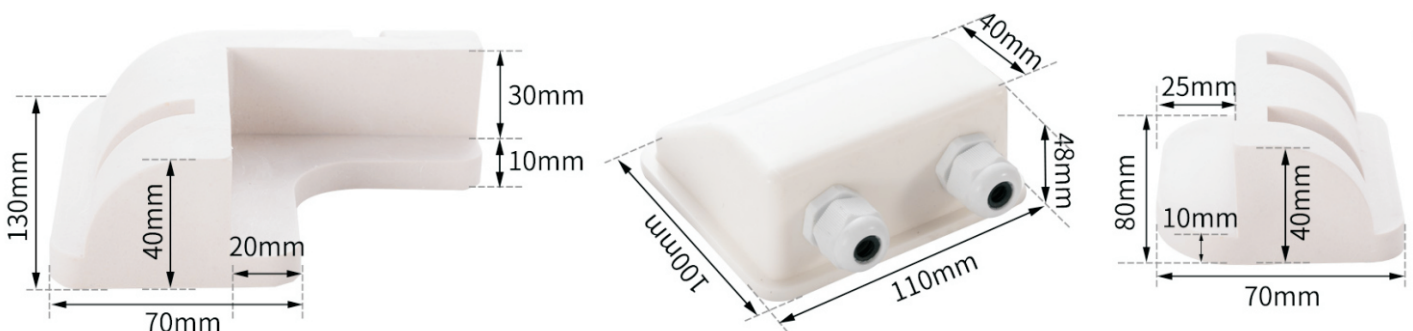
We engineer and supply solar products for homes, 4x4s, recreational vehicles and virtually any application you can think of. And we also develop reliable, high performing deep-cycled batteries and lithium batteries for standby or daily power needs. Accessories include battery chargers and inverters that are ideal for RV's, commercial vehicles, boats, yachts and many more applications!

At ATEM POWER, we stay true to our DNA by prioritizing technological innovation designed to improve our products and striving to provide excellent customer care. Because we are motivated to explore the limits of solar power!

WARNINGS & CAUTIONS

- Read all of the warnings and cautions in the manual before installation.
- It is recommended to have a professional contractor to carry out installation so that damages that may be incurred due to improper sealing can be avoided.
- DO NOT substitute parts from other manufacturers, which will void the warranty and/or result in an unstable system.
- This system does NOT comply with residential structural codes and should NOT be used in place of a system required by local regulations.
- It is user's responsibility to ensure installation compliance and compatibility with all system components and the environment including but not limited to roofing, system components, etc, and verification that all project information is accurate.
- You are advised to refer to instructions on the bonding agent being used, particularly its safety warnings and use.
- For the optimal bond between the structure and solar panel bracket, the pre-treatment of the mounting surface is very important as improper cleaning may cause premature failure of the bond.
- Please clean the surface upon which the solar panel bracket are to be glued, removing all traces of oil, fat, grease and other contaminants, using a suitable cleaning agent.
- Always keep the mounting system flat (do not bend or twist etc.)
- It is recommended to use bonding adhesives that are sufficiently strong and weather resistant.

DIMENSIONS:



IDENTIFICATION OF COMPONENTS



ATEM POWER solar panel bracket - Pack of 4

A set of four corner mounts to attach each corner of your solar panel to your desired mounting surface.



ATEM POWER Side Brackets - Pack of 2

This pair of side mounts is intended to be attached to the long edge of the solar panel, adding extra mounting strength.



ATEM POWER Cable Entry Housing - Pack of 1

To avoid unsightly and potentially leaky cable entries, you can use it and drill out your cable entry point, and then cover it over giving you two waterproof then cover it over giving you two waterproof cable entries.

INSTALLATION:

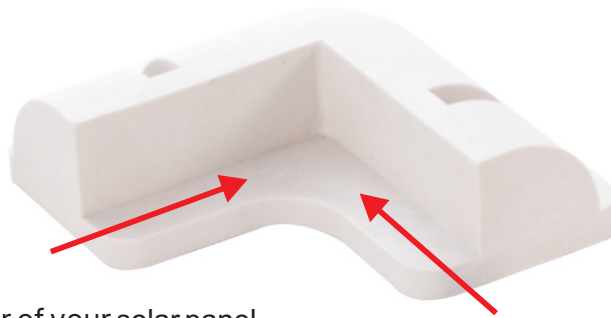
The instructions below are to serve as a guideline for installing the solar panel mounting brackets.

Recommended tools to have before installation: Assembly Adhesive; Hand Pads.

1. Adhesive Method

(1) Mount solar panel brackets to your solar panel.

- Apply adhesive to the top side of the bracket where your panel will be installed.



- Match bracket to the corner of your solar panel.
- Apply pressure to ensure proper contact.

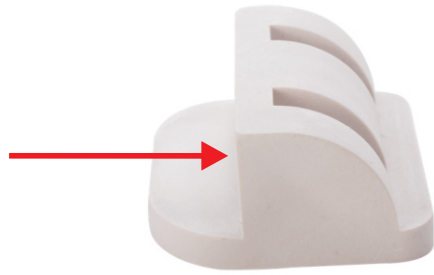


- Repeat the same steps for the other 3 brackets.

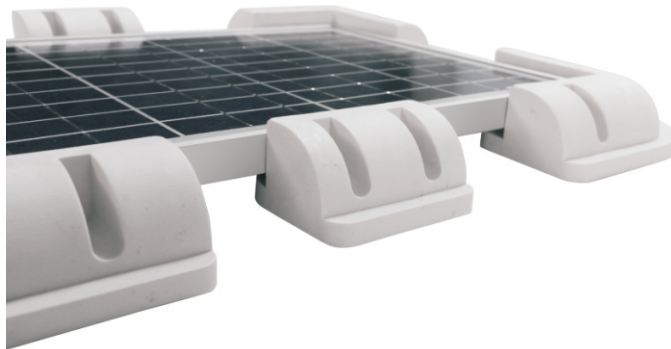


(2) Mount side brackets to your solar panel.

- Apply adhesive to the top side of the side mount where the panel will be placed.



- Place the bracket to the side of your solar panel. Adjust for symmetry as needed.



- Apply pressure to ensure proper contact.
- Repeat the same steps for the other side.



(3) Apply adhesive to the bracket and install it on a flat surface.

- Clean the surface of the bracket and of the flat surface to ensure maximum bonding.
- Apply adhesive to the bottom side of all the brackets where they will make contact with the flat mounting surface.
- Apply pressure to ensure proper contact.

NOTE:

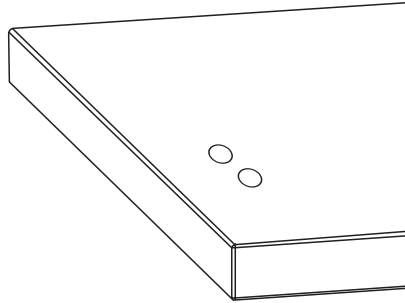
Mark where the solar panel will be located before applying adhesive.

Ensure proper orientation so that the wires are coming out of the your desired side.

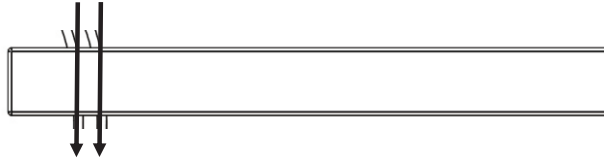
(4) Mount cable entry housing.

① Set up mounting area.

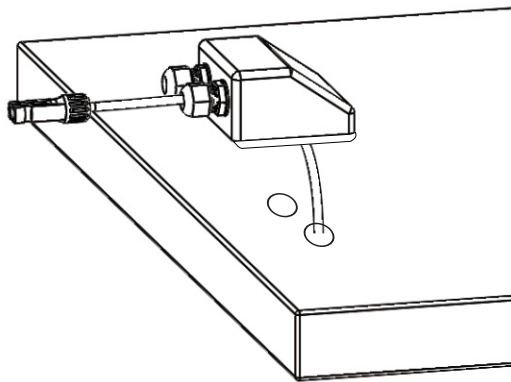
- Choose a flat surface, and mark the area where the cable will feed through.



- Drill small holes at the chosen spot for wire feeding. Then smooth out rough edges.

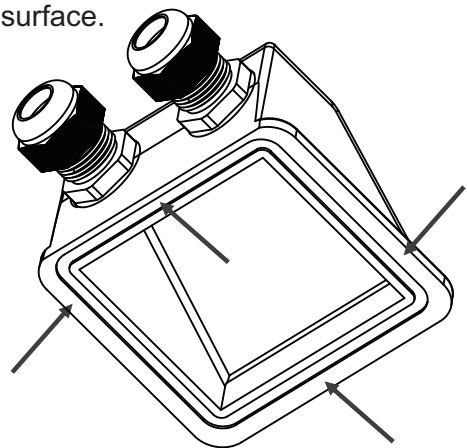


- Pass the cable through the ATEM POWER cable entry housing and into the roof.

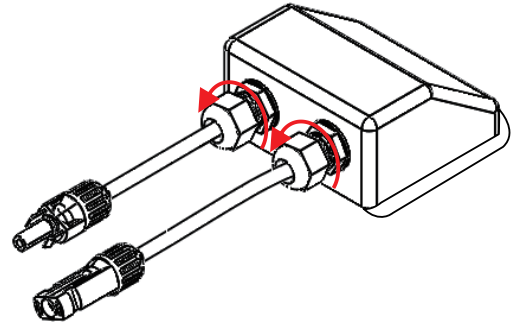


② Apply adhesive to the cable entry housing and install it on a flat surface.

- Clean the surface where the housing will be located to ensure maximum bonding potential.
- Apply adhesive to the bottom sides of the housing where they will make contact with the flat mounting surface.
- Apply pressure to ensure sufficient contact.

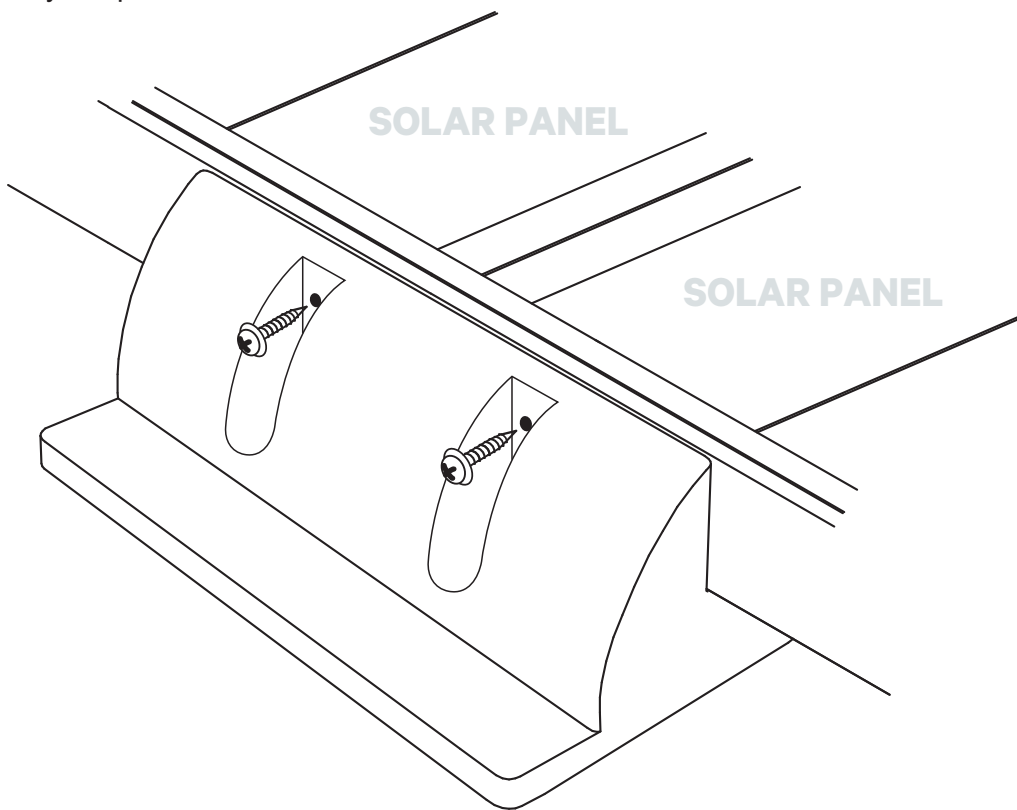


- ③ Tighten cable gland at your desired length.
- Tighten cable glands by rotating clockwise.
- Rotate until wire feed is no longer mobile through the gland.
- Repeat the same steps for the other gland.



2. Drilling Method

- ① Drill a clearance hole in the mounts at the recessed ports.
- ② Place the panel mounts on a flat surface, then position the panels onto the mounts. Drill a pilot hole through mount directly into panel frame.



- ③ Attach the brackets to the solar panel frame using stainless steel or galvanized screws.
- ④ Mark the mounting location for the panel on which it will be mounted.
- ⑤ After applying the adhesive to your brackets, you need to install them on the pre-marked position on your roof. Ensure you have the panel properly orientated so the cables coming out are on the correct side.
- ⑥ Refer to the instruction of the adhesive and allow it to completely dry before connecting the wires.



WARRANTY



ATEM POWER (“Manufacturer”) warrants, to the original purchaser, (“User”) that its solar panel mounting bracket, if purchased from Manufacturer or an authorized distributor or dealer, will be free of defects in material and/or workmanship under normal application, installation, use and service conditions from the date sold and for the duration (the “Warranty Period”) of 2 YEARS. Within the Warranty Period, subject to the exclusions listed below, the Manufacturer will replace or repair the solar panel bracket, if the components in question are determined to be defective in material or workmanship. If the Manufacturer deems the solar panel bracket to be not repairable, a new, similar bracket will be offered. This Limited Warranty is to the original purchaser of the solar panel bracket and is not transferable to any other person or entity.

EXCLUSIONS:

This warranty does not cover defects that are caused by normal wear and tear, inadequate maintenance, transportation, storage or faulty repair, misuse, neglect, accident or abuse, modification, failure to observe installation instructions or improper installation. It is recommended that the installation should be performed by suitably qualified technicians or the warranty will be voided. For further clarity, this warranty is also void if the solar panel brackets:

- is used for applications other than which it was designed and intended for.
- is not properly installed in accordance with the user manual.
- is disassembled, altered, or repaired by someone other than an authorized Manufacturer’s agent.
- has been subject to misuse, abuse or physical damage, or has been modified.
- has been damaged by force majeure (e.g. flash of lightning, overvoltage, storm, fire).
- selected by the user is not of the correct size and design for the intended application.
- is damaged due to improper installation.

CLAIMS:

Request return authorization. No returns will be credited without an authorization. In the case of returned products, Manufacturer’s exclusive liability for breach of any warranty on the product shall be to replace the solar panel bracket within the warranty period in accordance with the terms of this limited warranty. In no event shall Manufacturer be liable for any loss or damages of any other kind, whether direct, incidental, consequential including lost profits, exemplary, special or otherwise, including any lost profits or removal, shipping, or installation expenses.