



UHF ANTENNA USER MANUAL

MODEL: ANTE-UHF720-SAN / ANTE-UHF1030-SAN



ABOUT US

Founded in 2018, the San Hima brand stands for passion and enthusiasm for exploring the spectacular nature of the great outdoors. Since its inception, the trusted solutions and proven designs that San Hima offers to the market have made adventure and travelling flexible and enjoyable!

Based in Australia, San Hima has under its umbrella a wide selection of outdoor solutions, including cargo systems, vehicle protection accessories and tow & trailer parts, that are designed to help you carry your gear wherever your passion takes you and boost your performance when conquering the peaks!

At San Hima, we have wild souls and we are committed to designing products that are tough enough to take on any adventures and at the same time, making them safe and easy to use. These values in our conviction are what drive us to make innovations. Since pursuit your passion shouldn't be complicated.

Live the Peak, Conquer the Everest, San Hima is your brand of choice!

SAFETY WARNINGS AND INSTRUCTIONS

- Always fit in accordance with your local road and traffic safety guidelines.
- Ensure vehicle mounting location is strong enough to fit your antenna.
- Please note that the antenna will always perform better when mounted on the bull bar top, in a clear and elevated position.
- The antenna should be mounted to allow for clear visibility for the driver of the vehicle.
- Mount the antenna as far away from other antennas and metallic objects as possible to avoid interference and distortion at least 350mm of side clearance.
- Mount the antenna vertically, not at an angle.
- Do not route cable near hot pipes, moving objects or where water will congregate.
- ALWAYS leave some slack in the cable. Failure to follow this advice can put the coaxial cable under excessive tension, which can cause the coaxial cable to become detached from the connection point.
- Make sure the antenna is secured before your vehicle starts.

PACKAGE LIST

- 1PC SAN HIMA UHF Antenna
- 1PC FME Male to PL259 Male Adaptor
- 1PC Spanner



SPECIFICATIONS

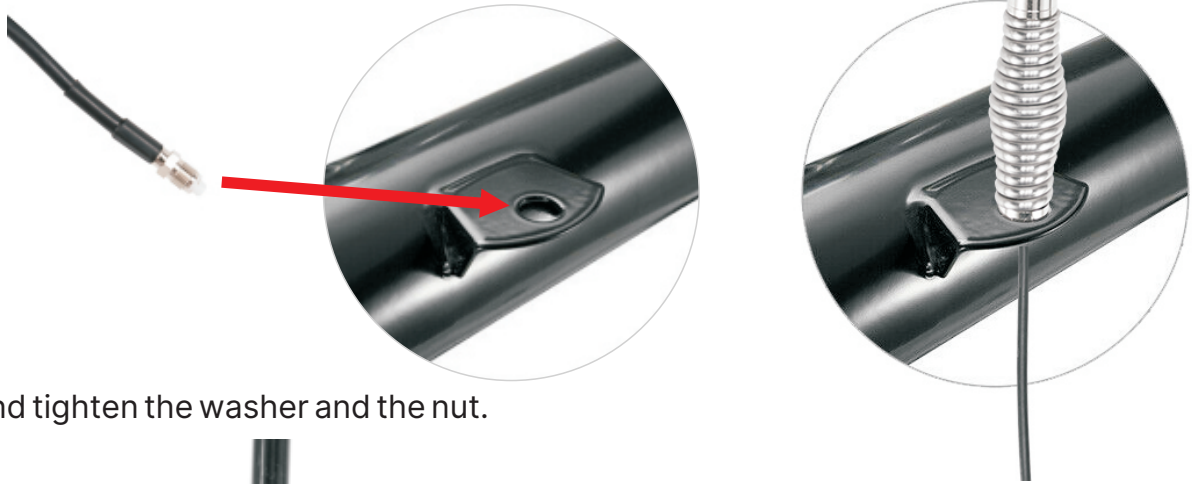
SKU:	ANTE-UHF1030-SAN	ANTE-UHF720-SAN
Product Length:	3.38ft (1.03m)	2.36ft (0.72m)
Product Diameter:	0.63" (16mm)	
Cable Length:	15.42ft (4.7m)	16.08ft (4.9m)
Cable Diameter:	0.20" (5mm)	
Product Weight:	1.56lbs (707g)	1.39lbs (632g)
Gain:	6.6dBi	5.0dBi
Frequency:	477 MHz	
Tube Material:	Fibreglass	
Spring Material:	Steel	
Cable:	Rg58 Coaxial Cable	
Connector:	FME	
Warranty:	2 Years	

INSTALLATION

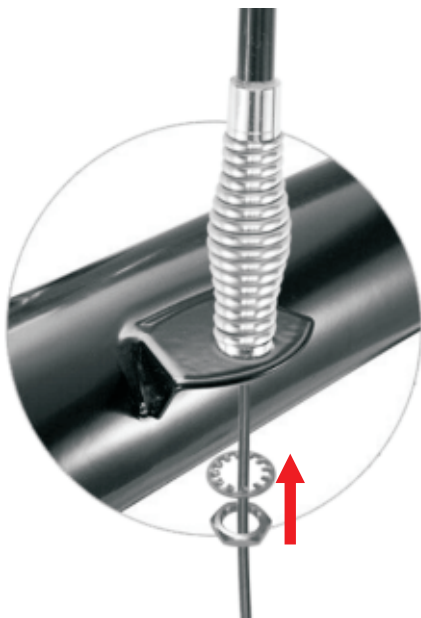
- Disassemble the washer and the nut.



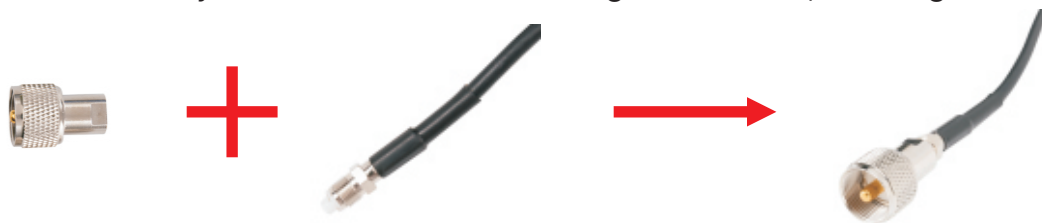
- Insert the cable through a proper mounting hole on a bull bar, roof rack or rear bar, and insert the base into the mounting hole.



- Install and tighten the washer and the nut.



- Connect the adaptor to the wire, and then connect the wire with the adaptor to the back of your radio. Never switch on your radio before connecting the antenna, as doing so could damage the unit.





WARRANTY

San Hima warrants that each antenna that is purchased while this Warranty is in effect will be free from defects in materials and workmanship for a period of 2 years from the date of receiving the product from San Hima or its authorized distributor/dealer. If it is believable to be defective during the 2-Year Warranty Period, San Hima will, at its option, replace it with the same or similar product, or issue a refund for the defective San Hima product. And San Hima will pay for the cost of shipping or transportation of a defective component. This warranty terminates if a Purchaser transfers the product to any other person. And please retain your purchase receipt for Your records.

Please ensure that the San Hima antenna should be fit in accordance with warnings and instructions listed in the user manual, and should be used for the purpose for which it was designed.

Any and all warranty coverage does not cover: normal wear and tear, incorrect fitting, damages as a result of failure to follow information in the user manual, unusual, improper or negligent use or misuse, using the San Hima antenna other than for the purpose for which it was originally designed, misuse or neglect, improper repair or maintenance, alteration, abuse, acts of nature, terrorism, vandalism, collision, road hazards or adverse conditions.

If further information or investigation is required or if the claim does not meet the requirements under our warranty, San Hima'll let you know.