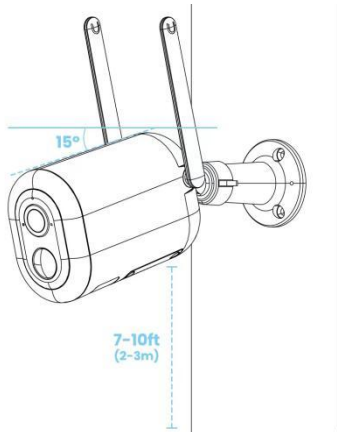
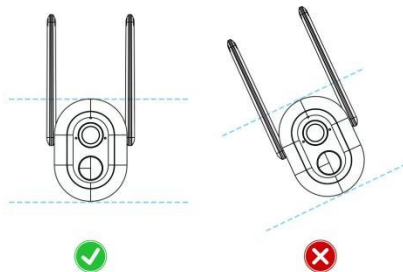


1. It is not recommended to install the camera perpendicular to moving objects, otherwise it may fail to detect motion events or cause delays.
2. A camera motion sensor that is more sensitive to lateral motion within its field of view than to motion directly toward or away from the camera.



1. Recommended installation height: 7-10 feet from the ground.
2. Recommended installation angle: the down-tilt angle of the lens is 15° to obtain the best alarm detection range.



1. Keep the PIR lens level for best results.