

ABOUT QUICTENT

Quictent is among the highest rated importers of outdoor equipments in US, as shown by the thousands of delighted customers leaving positive feedbacks. We have established an excellent reputation in the US tent market by focusing on Quality, Value and Reliability. These three words sum-up the Quictent approach.

FRIENDLY ADVICE

1. Be Sure to use tie down ropes and stakes to secure the canopy well. It will be better, if you use sand bags or extra weights.
2. It is better to use it in a sunny day. If it is windy or rainy, please use extra weights to secure it. Please do not use it in bad weather, such as strong wind or heavy rain.

CONTACT US

Email us: sales@quictents.com
Call us: 302-216-5366

Warranty

12 Months Limited Warranty on Cover
6 Months Limited Warranty on Frame

How to get quick response from Quictent?

You can send email to sales@quictents.com
Please with the following information:

1. Order reference number
2. SKU number
3. Part number
4. Photos of damaged parts (not necessary)

***Any product issues, please kindly contact us.
Each email will be replied within 24 hours.***

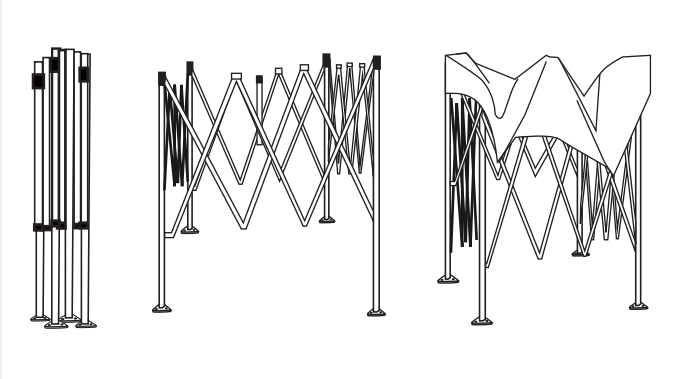
Global Mainland International LLC.
c/o Exchange Logistics Warehouse Ltd.
3113 Glenfield Ave. Dallas, TX 75233
Phone: 302-216-5366
Email: sales@quictents.com

Quictent

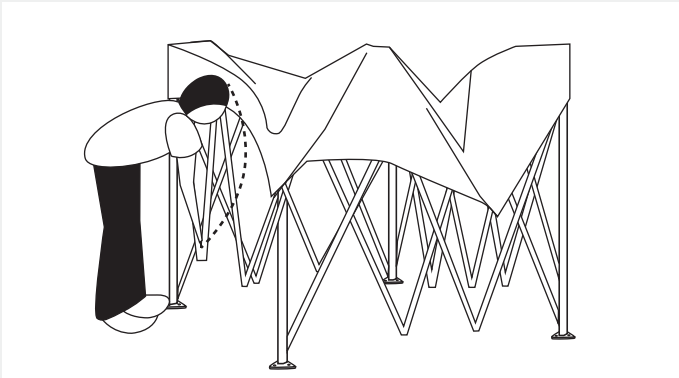


USERS MANUAL
Quictent Pop up Canopy Tent

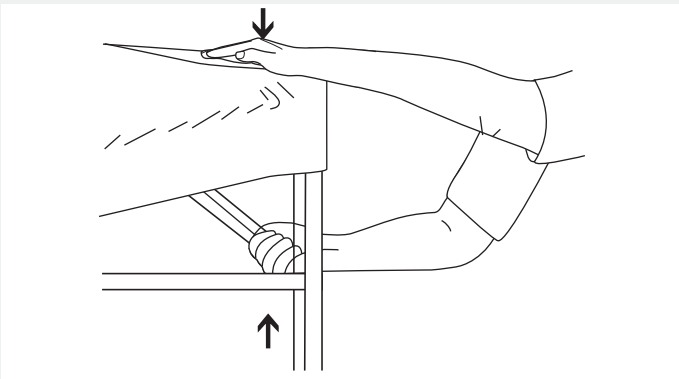
01/ Open gazebo like below, attach the top fabric on the frame with the velcro on the corners



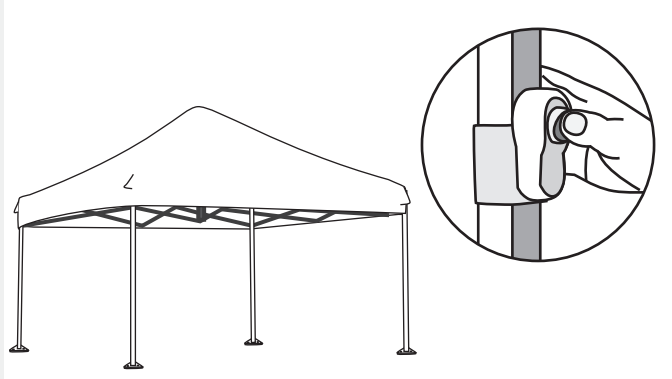
02/ Fully Open the frame



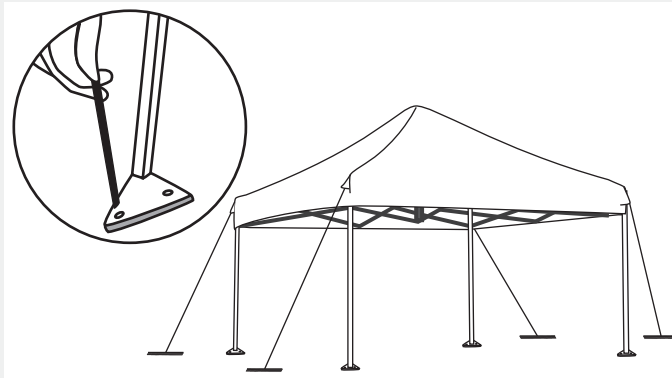
03/ Lock each upper leg like this



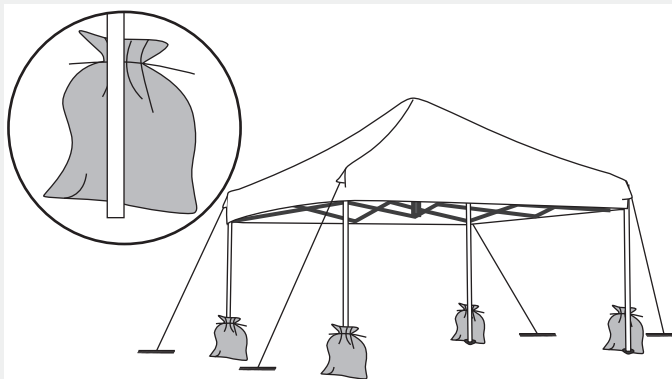
04/ Push the leg release button and pull down the leg to extend each leg to the desired height



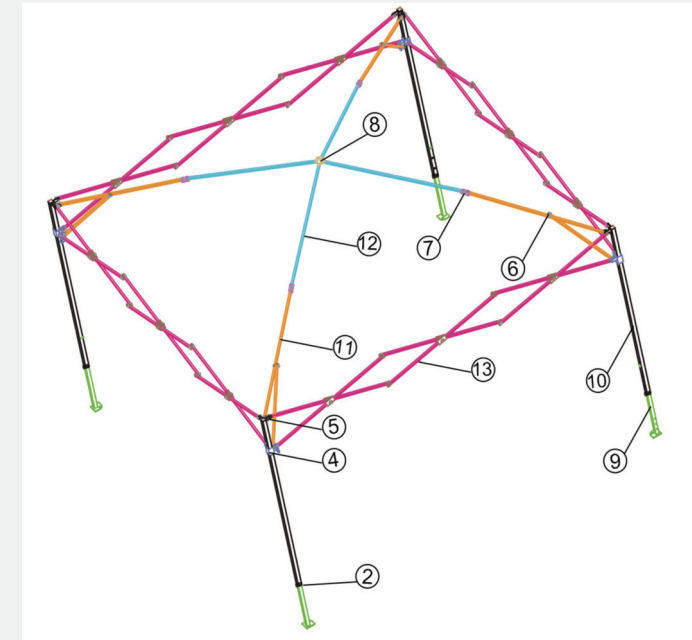
05/ Tie down your gazebo with the 4 ropes and the 4 stakes



06/ Use Extra sand bags or weights to secure the canopy



Part List



2		4PCS
4		4PCS
5		4PCS
6		4PCS
7		4PCS
8		1PCS
9		4PCS
10		4PCS
11		4PCS
12		4PCS
13		12PCS