



NSW-X120354
User Manual



12" (320MM) SLIM SVC SUBWOOFER

INTRODUCTION

Thank you for your purchase of our Nakamichi product and we warmly welcome you to the Nakamichi family! Do keep your original invoice and purchase receipt in a safe place in case of future service and warranty claims. You may also contact your appointed Nakamichi service agent for any future technical support requirements.

PRODUCT INFORMATION

Model	NSW-X1203S4
Nominal Diameter	12" (Ø320 mm)
Nominal Impedance	4 ohm
Power Rating	250W RMS
Sensitivity(1w/1m)	83 ± 3 dB
Frequency Range	40~2.7k Hz
Voice Coil Diameter	Ø50 mm
Voice Coil Length	18 mm
Air Gap Height	8 mm
Magnet Dimension	Ø140 x 20 mm
Resonant Frequency, FS	40 ± 3 Hz
D.C. Voice Coil Resistance, Re	3.6 ohm
Mechanical Quality Factor, Qms	6.528
Electrical Quality Factor, Qes	1.251
Total Quality Factor, Qts	1.050
Equivalent Air Volume to Cms, Vas	0.868 Ft
Mechanical Compliance, Cms	63.356 uM/N
BL Factor, Bl	13.458 T/M
Effective Surface Area, Sd	52.3 m ²
Linear Excursion, Xmax	5 mm
Basket	Die Cast Iron
Cone and Dust Cap	PP Injection and Aluminum
Surround	Treated Foam
Voice Coil Wire	SV
Voice Coil Bobbin	Aluminum
Magnet	Ferrite
Overall Diameter	Ø320 mm
Bolt Circle Diameter	Ø300 mm
Baffle Cutout Diameter	Ø286 mm
Depth	89 mm
Net Weight	Approx. 4.37 kg

IMPORTANT

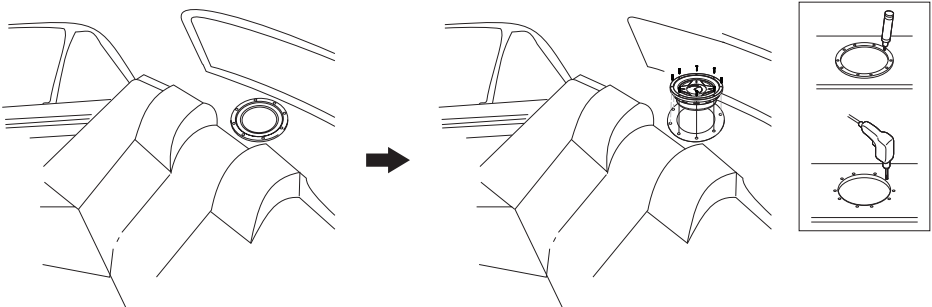
- Read and understand all instructions before you use the apparatus. If damage is caused by failure to follow instructions, the warranty does not apply.
- Use only the supplied mounting hardware for a safe and secure installation.
- Do not continuously use the speaker system beyond the peak power handling capacity.
- Keep credit cards, watches, recorded tapes etc. with magnetic coding away from the speaker system to prevent damage caused by the magnets in the speakers.
- Clean the apparatus with soft, damp cloth. Never use substances such as alcohol, chemicals or household cleaners on the apparatus.

MOUNT ON REAR TRAY

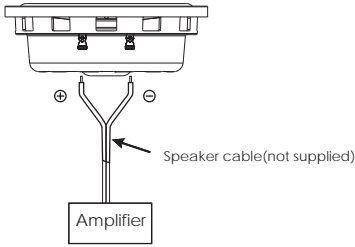
You can mount the subwoofer on the rear tray.

- Set the wiring firmly on the floor of the vehicle, taking the utmost care not to break wires while installing.
1. Turn off the car ignition key.
If the power is on, the click noise generated by the connection may damage the subwoofer.
 2. Cut out the mounting template from the packing box and paste it onto the location selected for mounting the subwoofer.
 3. Mark the cut-off hole and the 8 bolt holes.
 4. Cut out the marked area and drill the bolt holes.
 5. Connect the subwoofer to the amplifier.

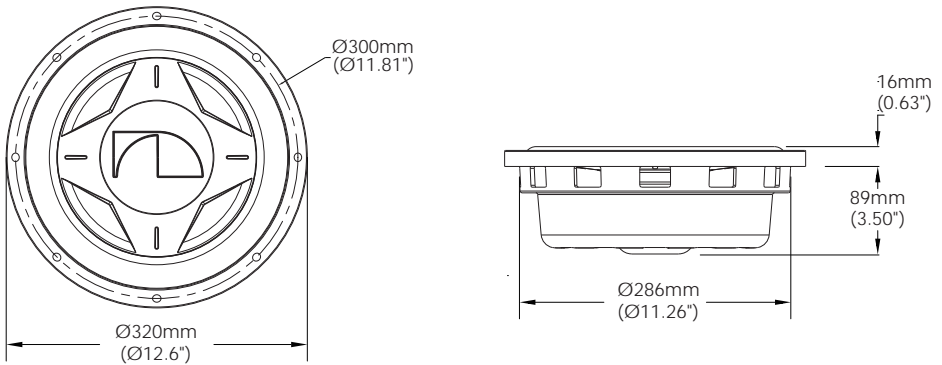
Consult the diagram below. Be sure to connect. connection with reversed polarity will degrade the quality of production.



MOUNT ON REAR TRAY



DIMENSIONS (UNIT: INCH/MM)



WHAT'S IN THE BOX

Check and identify the contents of your package:

1. 12" SVC Speaker (×1pc)
2. User manual (×1pc)
3. Installation template (×1pc)
4. Screws (×8pcs)

CONTACT WITH US

 [nakamichicaraudio.com](https://www.nakamichicaraudio.com)

 [Nakamichi.Global](https://www.facebook.com/Nakamichi.Global)

 [nakamichi.caraudio](https://www.instagram.com/nakamichi.caraudio)

MADE IN CHINA