



## NSE-T131 User Manual



SCAN OUR QR CODE OR VISIT [WWW.NAKAMICHICARAUDIO.COM](http://WWW.NAKAMICHICARAUDIO.COM)  
FOR COMPLETE AUDIO SETTINGS INSTRUCTIONS

 [nakamichi.global](https://www.facebook.com/nakamichi.global)  [nakamichi.caraudio](https://www.instagram.com/nakamichi.caraudio)

Made in China | 中国制造

---

## 13MM KSV TWEETER SYSTEM

---

 [nakamichicaraudio.com](http://nakamichicaraudio.com)

 [nakamichi.global](https://www.facebook.com/nakamichi.global)

 [nakamichi.caraudio](https://www.instagram.com/nakamichi.caraudio)

## NOTICE

- In order to perform a secure installation and to ensure perfect operation of your tweeters, please read the below instructions carefully.
- Plan your installation in advance, to avoid any situations where performance or reliability of your mobile audio system is compromised.
- While we are unable to recommend specific locations for installation as each individual vehicle is different, we are able to provide some tips as below.
- Avoid placing the tweeter above ear level, unless your corresponding woofers are also at the same level. This helps to maintain the sound staging in your vehicle.
- Before connecting the tweeters to your existing system, confirm that the power has been turned off. The clicking noise generated by the connection may damage the tweeters.
- When mounting the speaker, fix the speaker firmly with supplied screws by using both supplied spacer and brackets.
- Do not install it on moving parts. Be sure to install the speakers in a location that will not hinder safe driving.
- When you attach the speaker to the dashboard with screws, make sure not to damage the electrical wiring inside the dashboard.
- During daily use, check the speaker sometimes whether it is fixed firmly. Loose attachment is very dangerous.

## PRECAUTIONS

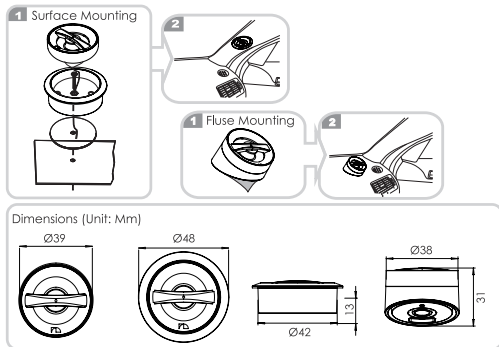
- Before connecting the speaker to the DVD/CD receiver or amplifier, confirm that the DVD/CD receiver or amplifier has been turned off. The click noise generated by the connection if the DVD/CD receiver or amplifier is on may damage the speakers.
- Make sure the setting of the crossover frequency on the DVD/CD receiver or amplifier is more than 1.2 kHz; otherwise the sound may be distorted and the speaker may be damaged by internal heat buildup.
- Do not overload the speakers by excessive input. Any excessive input may damage the speakers.
- When cleaning the speaker, use a soft cloth and wipe the surface gently. Do not apply thinner or solvent.

## SPECIFICATION

Speaker Type:	13mm KSV Tweeter	Sensitivity(dB/W/m):	84±3dB
Mounting Depth:	>0.55" (14mm)	Frequency Response:	4.5k-20k Hz
	>1.22" (31mm)	Impedance:	4Ω
N-power:	15 watts	Magnet Mass:	12.5×3
Peak Power:	80 watts	Net Mass (1pr):	Approx. 50g

## INSTALLING

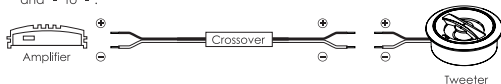
1. Prepare a screw driver, clean the place to install, to remove humidity, dust and stains.
2. Join the supplied parts to the speaker as illustrated.
3. Use flat countersunk screws to attack the brackets.
4. Detach the sheet from the spacer and place the speaker on the center position of the dashboard where it does not obstruct driver's sight.
5. Fix the speaker with binding screws firmly.



## CAUTION

Strip the speaker wires and connect them to the amplifier.

- Consult the diagram below. Be sure to connect corresponding terminals, i.e. "+" to "+" and "-" to "-".



## WHAT IS IN THE BOX

1. Tweeters x 2pcs
2. Angle Adapter x 2pcs
3. Ø4×8mm Screw x 2pcs
4. 50cm Crossover Cable x 2pcs
5. EVA x 2pcs
6. User Manual x 1pc