



NBX210A

User Manual



DUAL 10" ACTIVE SUBWOOFER BOX

CONTENTS

Precautions	2 EN
Warning	2 EN
Installation	2 EN
Adjusting The Sound Level	3 EN
Repair Guide	3 EN
What's In The Box	4 EN
Technical Specifications	4-5 EN
Installation Connection Diagram	6 EN
Power Connection Diagram	6 EN

Thank you for purchasing the Bass Tube. For the secure installation and perfect operation of your speaker, please read and understand all instructions before you use the apparatus.

PRECAUTIONS

The installation location must be dry and well-ventilated.

The supply voltage requirement is 12V DC with the negative connection grounded.

Please make sure that the characteristics of your vehicle correspond with this requirement before connecting the equipment.

For safe driving, we recommend that you operate your sound equipment at a listening level that does not drown out traffic noise.

WARNING

The performance of the NBX210A allows high sound pressure levels to be generated. We recommend that you adjust the level of your equipment correspondingly, keep your car audio volume moderate so that you can still hear sounds outside your car.

For safety reasons, it is essential that you securely fix the bass tube enclosure in the boot (make sure that you do not drill through any petrol lines, tank, or other sensitive and critical parts of your vehicle if you are securing it with screws.).

INSTALLATION

Decide the best location possible that suits your automobile and space available.

The best and most secure location for optimum sound quality is behind the rear seats, on the floor of the trunk.

Do not mount the product in the engine compartment of your vehicle or in any areas of extreme heat such as mufflers, silencers, exhaust pipes or other heat producing apparatus. Do not block any ventilation openings when installing this product.

*Securely mount the product so that it does not come loose in the event of a collision or as a result of repeated vibrations that might occur during normal operation.

ADJUSTING THE SOUND LEVEL

Turn the level controls of the amplifier to their minimum positions. Choose music with high dynamic content that you like, that you are familiar with and will be most often used in the system.

Turn the unit up to its highest undistorted output level. If you lack test equipment, this point occurs between 3/4 to full volume depending on the quality of your source unit. Listen for any audible distortion. If any distortion is audible, reduce the volume of the source unit until you have an undistorted output. Leave the volume control at this position during your system tuning.

Continuous exposure to sound pressure levels over 100dB may cause permanent hearing loss. High powered automotive sound systems can generate sound pressure levels in excess of 130dB. When playing your system at high levels, please use heat protection and prevent long term exposure.

REPAIR GUIDE

Issues	Causes	Solutions
Can't switch on the unit.	No +12V on the remote. No +12V on the supply. Ground not properly connected. Fuse broken.	Supply the terminal in +12V. Connect the supply in +12V. Check connections to ground. Change fuse.
The unit is on but no signal.	No signal. No remote.	Check signal cable. Check power on the remote.
Distorted output.	Source level too high. Gain of the amplifier too high.	Turn down the source level. Turn down the gain of the amplifier.
Blown fuses.	Output levels too high.	Turn the level or gain down.

WHAT'S IN THE BOX

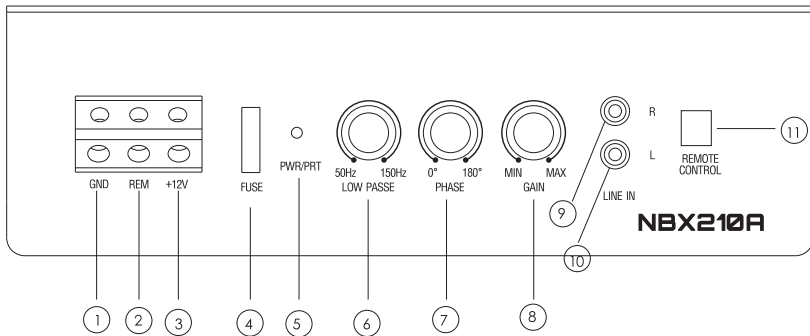
1. Subwoofer box (×1pc)
2. 3.0mm "L" type Wrench (×1pc)
3. Installation Connection Manual (×1pc)

★ Accessories are subject to change without notice.

Technical Specifications

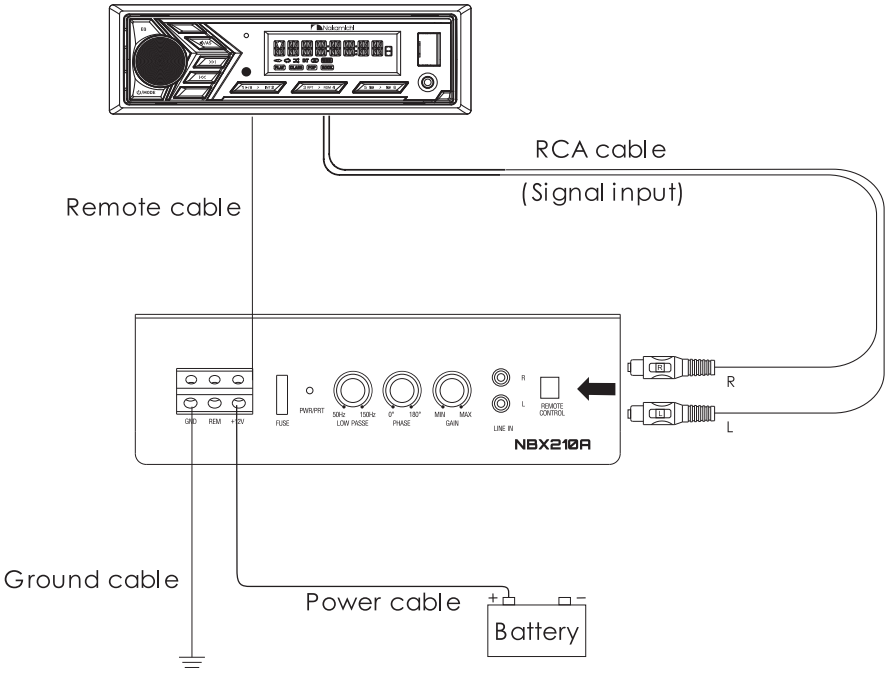
Model	NBX210A
Woofer	10" (256mm) × 2
N-power	120W
Peak Power	1200W
Impedance	2 ohm
Frequency Response	50Hz-1.3 kHz
Sensitivity(SPL/1W/1m)	83±2dB
Subwoofer Magnet	17.6 oz
Power Requirements	12V DC car battery (negative ground)
Power Supply Voltage	14. 4V (10.5V~16V)
Unit Dimensions	32.3"x13.9"5.9" (820x355x150mm)
Gift Box Dimensions	835x368x170mm

★ Design and specifications are subject to change without notice.

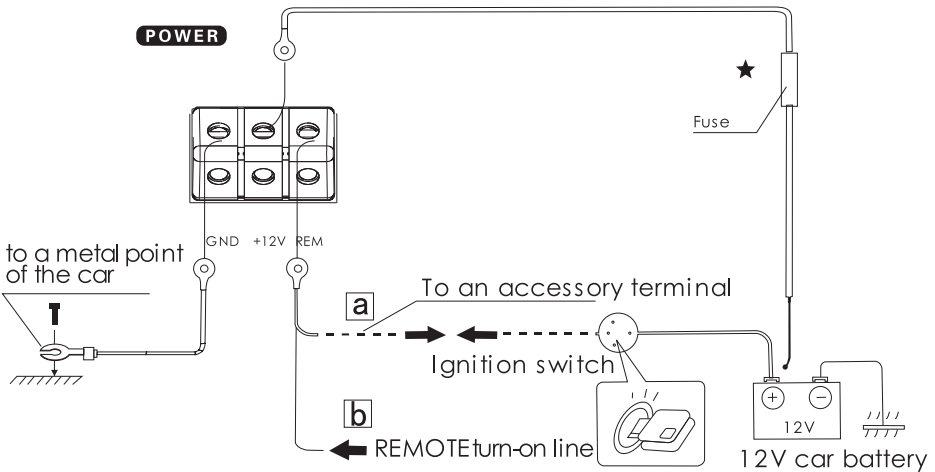


1. **POWER(GND)** Must be connected to the chassis of your vehicle with a perfect electrical connection (remove some paint to reveal bare metal if necessary) and with the ground cable.
2. **REMOTE** Connect the electrical aerial output or the remote output of your radio with the remote cable.
3. **+12V** Connect the +12V power supply of car battery with the power cable. (Note: power connections)
4. **FUSE** Protects the unit from damage made by dangerous volume of current.
5. **POWER INDICATOR LIGHT**
6. **FREQ** This control permits you define the frequency range you want the subwoofer amplifier to receive. The subwoofer will reproduce all sound below the frequency you set.
7. **PHASE** Use this switch to help compensate for time alignment problems in the system. Such problems usually result from having the listener than the other speakers in the system.
8. **GAIN** Slowly turn up the subwoofer input gain control until you hear a small amount of distortion. Then reduce the level the control at this setting.
9. **INPUT(R)** Connect to the RCA output of the car radio with the RCA cable.
10. **INPUT(L)** Connect to the RCA output of the car radio with the RCA cable.
11. **RVC** Attach the included remote level control to control the volume level of the subwoofer independently.

INSTALLATION CONNECTIONS



POWER CONNECTIONS



* Place the fuse in the power supply lead as close as possible to the car battery.



SCAN OUR QR CODE OR VISIT WWW.NAKAMICHICARAUDIO.COM
FOR COMPLETE AUDIO SETTINGS INSTRUCTIONS

 nakamici.global  nakamichi.caraudio

Made in China | 中國製造