

NBL12A

User Manual



CONNECT WITH US ONLINE TO EXPLORE NAKAMICHI'S COMPLETE RANGE, INSTRUCTIONS & SOFTWARE DOWNLOADS AND WARRANTY REGISTRATION.

WWW.NAKAMICHICARAUDIO.COM

 [nakamichi.global](https://www.facebook.com/nakamichi.global)  [nakamichi.caraudio](https://www.instagram.com/nakamichi.caraudio)

Made in China | 中國製造

12" ACTIVE TUNNEL TUBE

 nakamichicaraudio.com  [nakamichi.global](https://www.facebook.com/nakamichi.global)  [nakamichi.caraudio](https://www.instagram.com/nakamichi.caraudio)

YOUR SUBWOOFER

Dear Customer,

Congratulations on purchasing our Nakamichi mobile system product for your sound system.

This product has been designed and manufactured to Nakamichi's exacting standards to ensure many years of audio enjoyment. For the best performance, we recommend that you have your Nakamichi product installed by an authorized Nakamichi dealer.

If you would like to install this product on your own, we recommend for you to go through this manual to familiarize yourself with all the installation requirements and procedures.

If you encounter any issues or if you have any questions on the operation of this product, please contact your nearest authorized Nakamichi dealer for assistance, or you may also contact us through our website or social media channels.

Installation of Your Product

In today's modern vehicles, it is very easy to cause damage to existing systems through improper installation. Please follow and scrutinize all wiring diagrams to ensure that you have connected everything in its proper place.

If you find yourself uncomfortable or unfamiliar with understanding the wiring and installation diagrams or testing instructions, do contact your nearest Nakamichi dealer to perform the installation for you.

Safety Warnings and Considerations

- Clean only with a dry cloth or other similar materials.
- Install your product in a dry, well-ventilated location that

YOUR SUBWOOFER

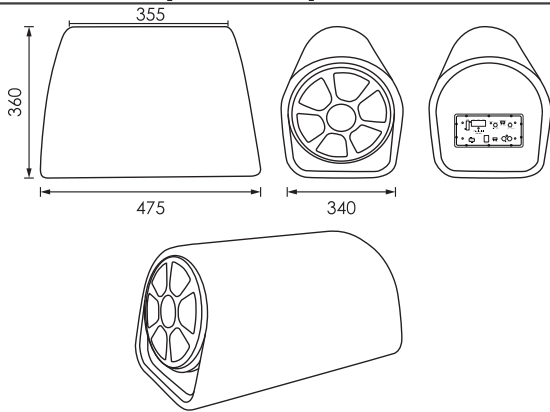
does not interfere with your vehicle's safety equipment.

- Do not block any ventilation openings when installing this product.
- Do not mount the product in the engine compartment of your vehicle or in any areas of extreme heat such as mufflers, silencers, exhaust pipes or other heat producing apparatus.
- Securely mount the product so that it does not come loose in the event of a collision or as a result of repeated vibrations that might occur during normal operation.
- Installation of the apparatus must be done with great care to prevent damage to your vehicle's fuel lines, power, and other electrical wiring, hydraulic brake lines, and other systems. If possible, always visit your nearest Nakamichi dealer to perform the installation.
- Do not run any wiring outside or underneath the vehicle. Keep all wires inside the vehicle.
- Take the necessary precautions when making connections to the vehicle's battery to avoid any potential shock.
- Protect all system wires from sharp edges by carefully routing them, always use rubber grommets to protect wiring and cables whenever you are installing them through metal openings.
- Secure all wiring using cable ties or wire clamps to protect them from moving parts and sharp edges.
- This apparatus shall not be exposed to dripping or splashing, and no object filled with liquids, shall be placed on the apparatus.

YOUR SUBWOOFER

- Refer all servicing to qualified service personnel. Servicing is required when the apparatus has been damaged in any way, such as the power input terminals are damaged, liquid has been spilled or objects have fallen into the apparatus, the apparatus has been exposed to rain or moisture, does not operate normally, or has been dropped.
- Fuses shall be replaced only with the correct type and fuse value, and only when the apparatus is powered off.
- Exposure to high sound pressure levels may lead to permanent hearing loss. Take every precaution to protect your hearing.
- This product is designed specifically for use with 12 volt, negative-ground electrical systems only. Using this product in systems with positive ground and/or voltages other than 12V may result in damage to the product and your system.

DIMENSIONS (UNIT: MM)



3 EN

SPECIFICATIONS

Subwoofer:	12" Active Tunnel Tube
N-power:	120 watts
MAX Power:	750 watts
Sensitivity(dB/W/m):	90 ± 3dB
Frequency Response:	20Hz - 12kHz
Impedance:	4 Ω
Voice Coil:	ASV Φ49.5mm
Subwoofer Magnet:	140x70x20mm, Y25
Magnet Mass:	38.9Oz (1102g)
Unit Dimensions	475/355 x 340 x 360 mm
Net Mass (1pc):	Approx. 9.0kg

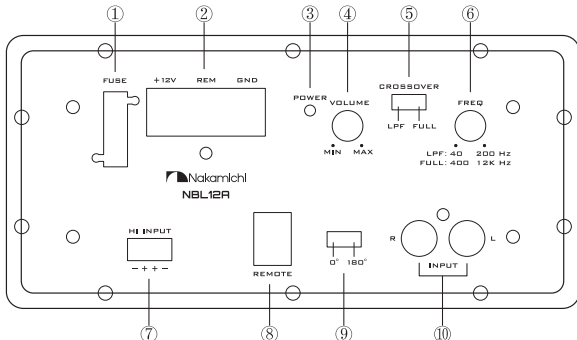
WHAT'S IN THE BOX

Check and identify the contents of your package:

- | | |
|----------------------|--------------------------------|
| 1. Tunnel Tube x 1pc | 4. High Level Input Line x 1pc |
| 2. User Manual x 1pc | 5. Remote (Optional) x 1pc |
| 3. Fuse (20A) x 1pc | |

4 EN

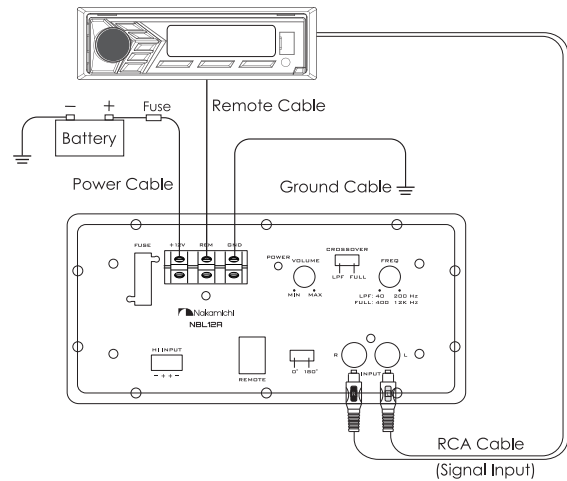
PANEL FUNCTION



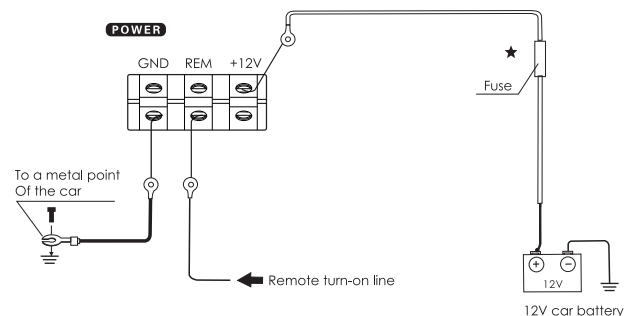
- Freq Socket** Always replace the fuse of the rating prescribed.
- Power Input Terminal**
 - POWER(GND) must be connected to the chassis of your vehicle with a perfect electrical connection (remove some paint to reveal bare metal if necessary) and with the ground cable.
 - REMOTE connect the electrical aerial output or the remote output of your radio with the remote cable.
 - +12V connect the +12V power supply of car battery with the power cable. (Note: power connections).
- Power** When the power is turned on, the power indicator shows green.
- Volume** increase or decrease the volume level.
- Crossover** Low Pass and Full Pass Filter switch.
- Freq** Low Pass Filter's frequency adjustment.
- High Input** The unit accepts high level signal inputs here.
- Remote** This unit is connected to the line control here.
- Phase Shift** Use this switch to help compensate for time alignment problems in the system. Such problems usually result from having the subwoofer at a different distance from the listener than the other speakers in the system.
- Low Level Inputs** The unit accepts low level RCA inputs here.

5 EN

INSTALLATION



Power Connections



* Place the fuse in the power supply lead as close as possible to the car battery.

6 EN