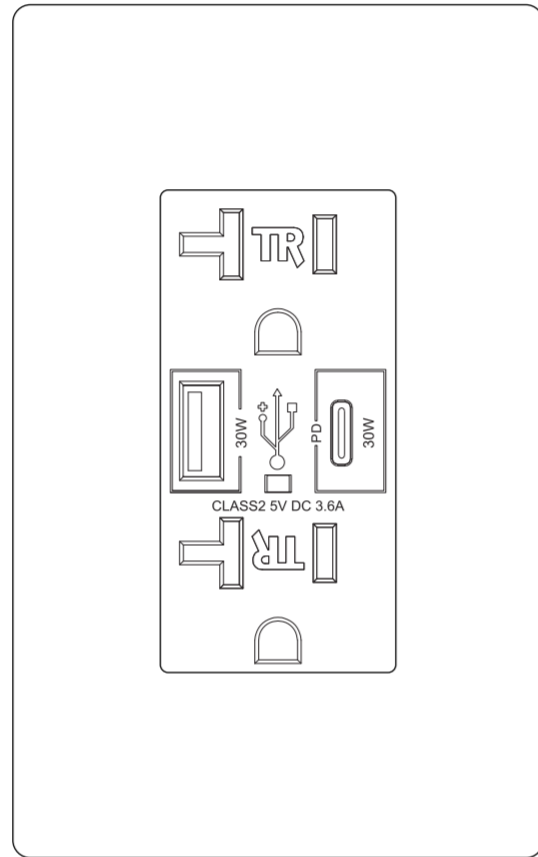
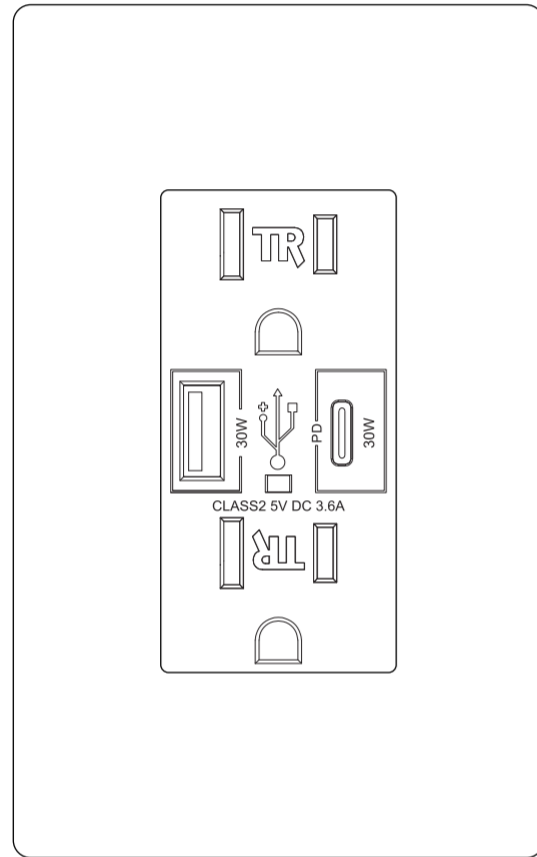


INSTALLATION INSTRUCTIONS



USB QUICK CHARGE 3.0 TYPE-A & POWER DELIVERY TYPE-C CHARGER WITH 15/20A TAMPER-RECEPTACLE



RECEPTACLE RATING	15/20 AMP 125VAC 60Hz
USB RATING	Single USB Output: 5V 3A, 9V 3A, 12V 2.5A, 15V 2A, 20V 1.5A Two USB Output Total 5V 3.6A
USB COMPATIBILITY	USB 1.1/2.0/3.0/3.1 Devices
WIRE TERMINALS	#14 - #12 (15A)/#12 (20A) AWG Copper
OPERATING TEMPERATURE	-4 to 140°F (-20 to 60°C)
RECEPTACLE DIMENSION	4.07×1.68×1.70 inch

This device complies with Part 15 of the FCC Rules. Operation is subject to the following two conditions:

1. This device may not cause harmful interference.
2. This device must accept any interference received, including interference that may cause undesired operation.

Note: This equipment has been tested and found to comply with the limits for a Class B digital device, pursuant to part 15 of the FCC Rules. These limits are designed to provide reasonable protection against harmful interference in a residential installation. This equipment generates, uses and can radiate radio frequency energy and, if not installed and used in accordance with the instructions, may cause harmful interference to radio communications. However, there is no guarantee that interference will not occur in a particular installation. If this equipment does cause harmful interference to radio or television reception, which can be determined by turning the equipment off and on, the user is encouraged to try to correct the interference by one or more of the following measures:

- Reorient or relocate the receiving antenna.
- Increase the separation between the equipment and receiver.
- Connect the equipment into an outlet on a circuit different from that to which the receiver is connected.
- Consult the dealer or an experienced radio/TV technician for help.

This device is to be installed in an outlet box that measures at least 3x2x2.5 inch and wired in accordance with NEC article 314 box fill requirements.

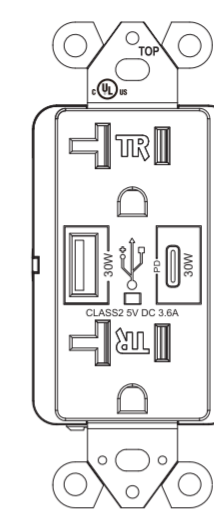
CAUTION:

- This device is to be used with Class 2 USB connectors and interconnecting cables.
- The Class 2 usb ports are not intended to physically support products or appliances.
- The Class 2 usb cables must be routed away from the 120V receptacles and inserted plugs.
- This device is to be used with copper or copper clad wire only.

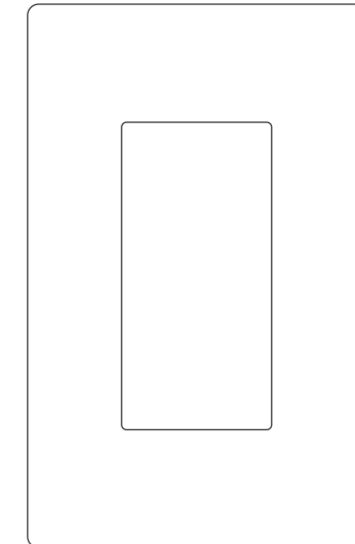
CAUTION:

To reduce the risk of fire and overheating, check for compatibility with the appliance manufacturer's charging instructions.

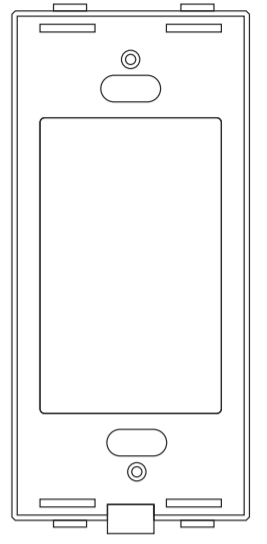
PARTS INCLUDED



Outlet × 1



Outer Plate × 1



Inner Plate × 1



Inner Plate Screws × 2



Mounting Screws × 2

WARNING



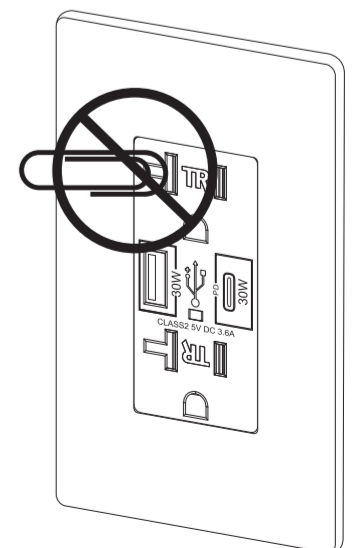
This product may represent a possible shock or fire hazard, if improperly installed or attached in any way. Product should be installed in accordance with the owners manual, current electrical codes and/or the current National Electric Code (NEC).

RISK OF ELECTRIC SHOCK: TURN OFF THE MAIN POWER AT THE CIRCUIT BREAKER BEFORE INSTALLING.

RISK OFF FIRE:

- DO NOT EXCEED ELECTRICAL RATINGS
- USE INDOORS ONLY

TAMPER RESISTANT RECEPTACLES
Built-in shutter keeps children safe.



INSTALLATION



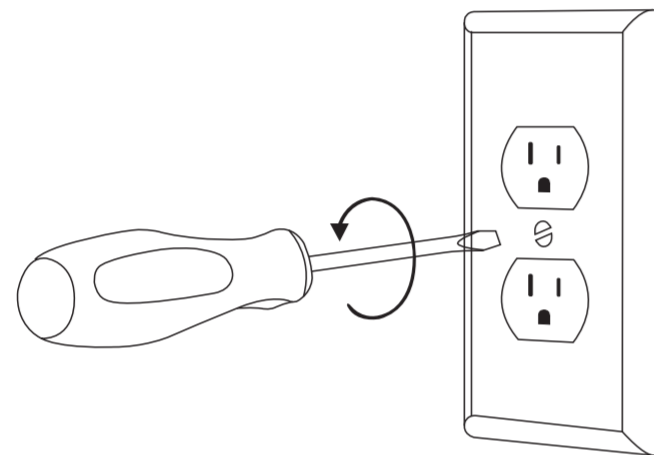
WARNING: SHOCK HAZARD MAY RESULT IN SERIOUS INJURY OR DEATH. TURN OFF POWER AT CIRCUIT BREAKER BEFORE INSTALLING.

IF YOU'RE UNFAMILIAR WITH PROPER ELECTRICAL WIRING, OBTAIN THE SERVICES OF A QUALIFIED PERSON.

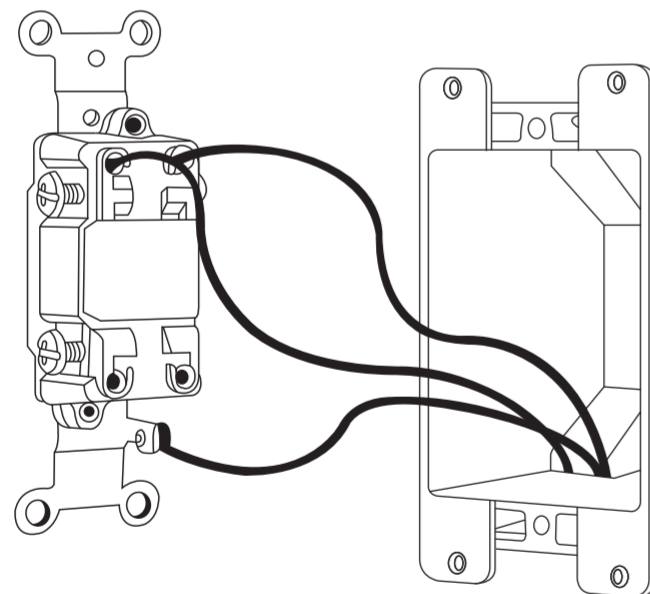
1. TURN POWER OFF

Turn power off at circuit breaker or remove fuse.

2. REMOVE EXISTING OUTLET



Take off wall-plate and outlet by removing mounting screws.



Carefully pull out outlet from wall.

Label wires connected to existing outlet box and disconnect wires.

3. STRIP WIRES

Strip wires to 0.5 inch if necessary. Use with #14 or #12 AWG copper or copper clad wire.

0.5 IN



READ AND SAVE THESE INSTRUCTIONS

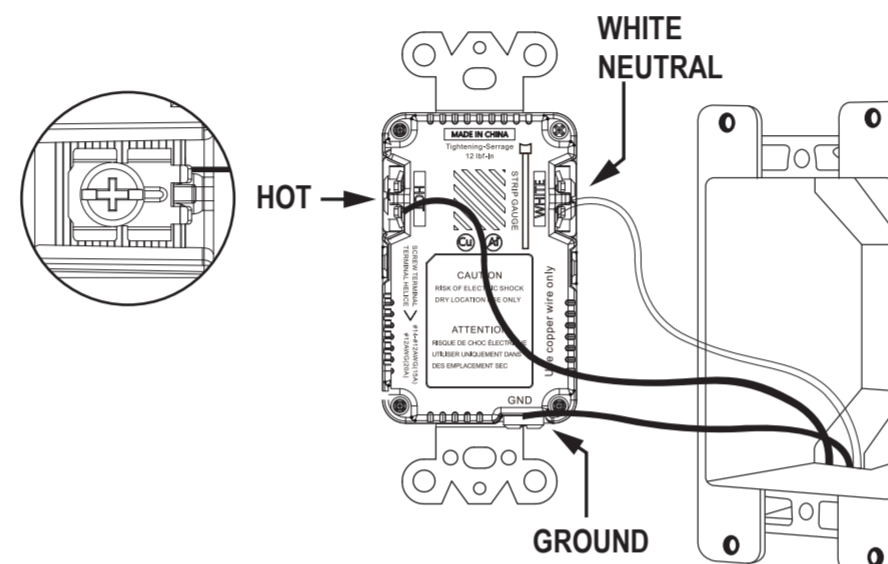
4. WIRE YOUR NEW OUTLET

Wire device as shown below.

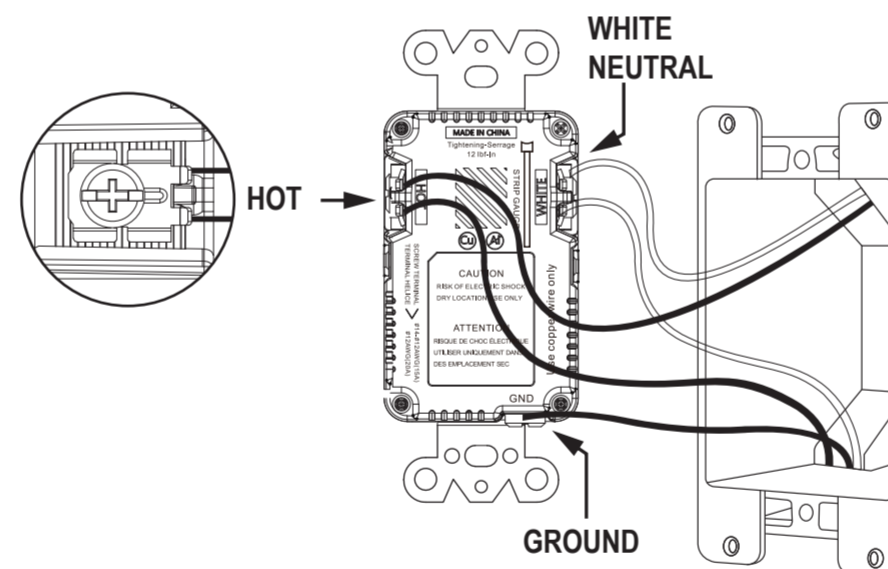
Use a screwdriver to secure wires to terminals.

Tighten every screws and have no bare conductors exposed, 12 pound inch (1.4 N.m) of torque.

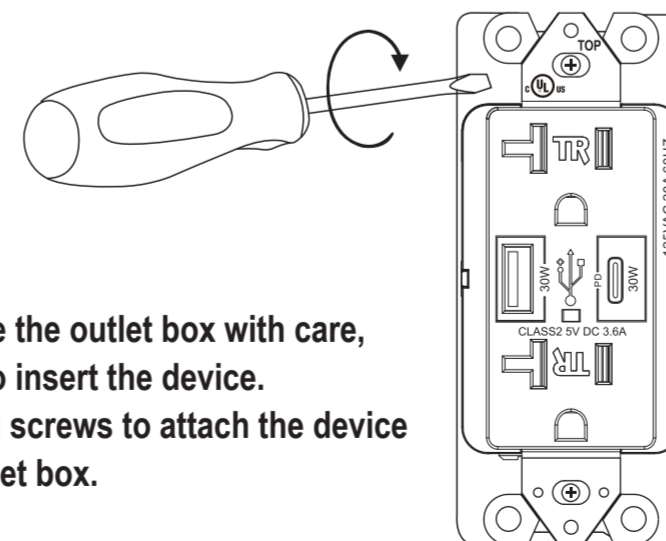
* WIRE WITH ONE HOT AND ONE NEUTRAL.



* WIRE WITH TWO HOT AND TWO NEUTRAL.

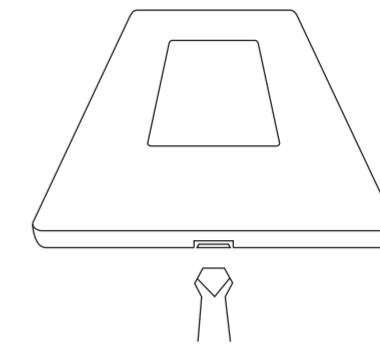


5. INSERT OUTLET INSIDE THE OUTLET BOX

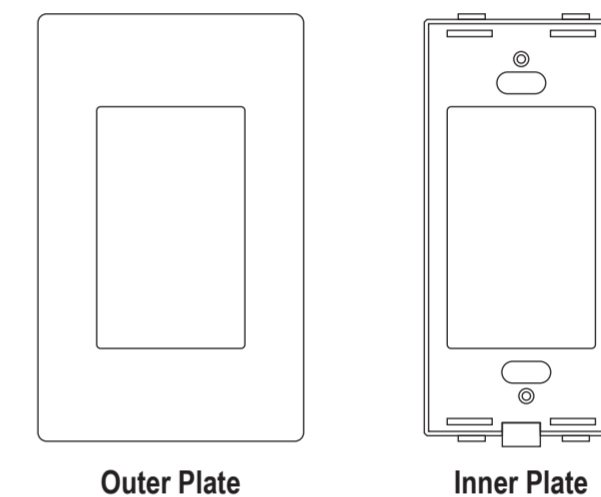


- Position all wires inside the outlet box with care, leaving enough room to insert the device.
- Use provided mounting screws to attach the device securely inside the outlet box.

6. SEPARATE INNER PLATE FROM OUTER PLATE



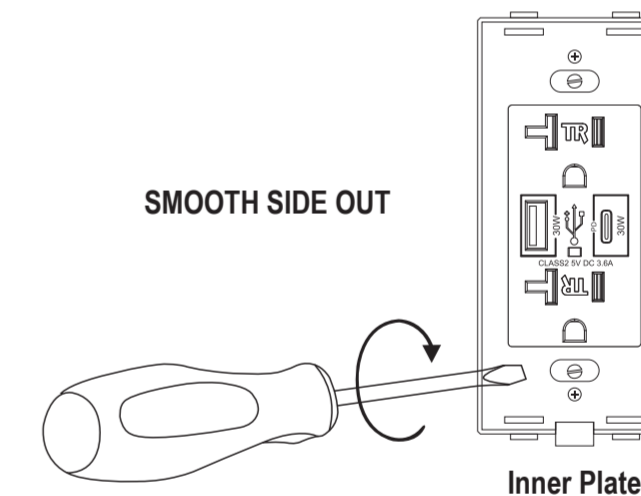
Gently insert screwdriver into slots to separate inner plate from outer plate.



Outer Plate

Inner Plate

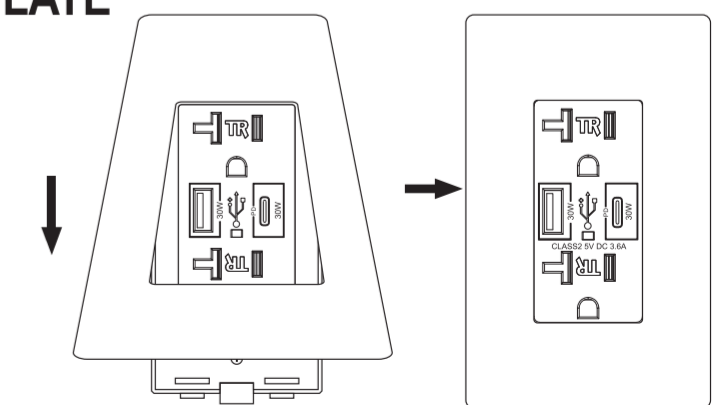
7. INSTALL INNER PLATE



Place the inner plate over your installed outlet and secure it using provided screws.

8. INSTALL OUTER PLATE

Place the outer plate over the installed inner plate with the top first then the bottom. Gently push wall plate to ensure flush fit.



9. TURN POWER ON

Turn power on at circuit breaker or replace the fuse.