

## BESTTEN Products

For more products from BESTTEN, please visit our website [www.ibestten.com](http://www.ibestten.com)



Outdoor Power Stakes



Outdoor Timers



Wall Outlets



Remote Outlet Switches



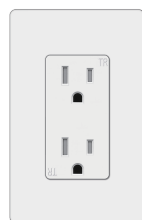
Light Switches



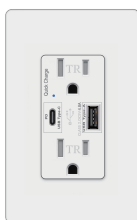
Dimmer Switches



Wall Plates



Standard Receptacles



USB Receptacles



Model: USO-0U3A-3-30

Made in China

Version 1.1

# BESTTEN®

3-Outlet Outdoor Power Stake with Outlet Covers and 30 Foot Weatherproof Extension Cord



## User Manual

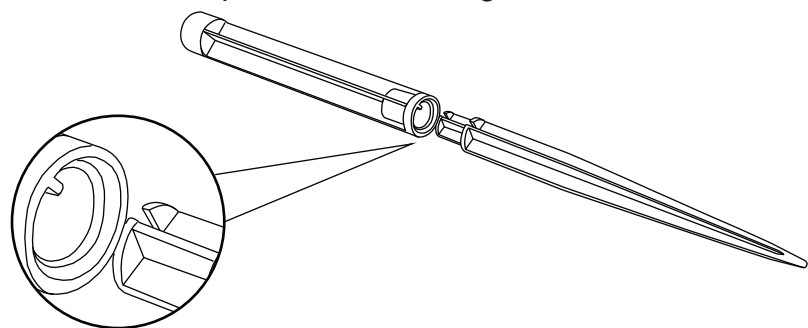
Power for today, ideas for tomorrow  
For more information, please refer to BESTTEN website [www.ibestten.com](http://www.ibestten.com)

## Specifications

AC Outlet .....	3 Grounded
Power Cord .....	30ft 16AWG/3C SJTW
Power Input .....	125VAC
Power Output .....	13A/125V/1625W
Housing .....	Fire Resistant ABS (94V-2)

## Installation

1. Firmly connect the two pieces of stakes together.



2. Insert the stake into the ground. Keep out of high traffic areas to prevent tripping.
3. Route the power cord carefully to avoid creating a tripping hazard or exposing the cord to possible damage.
4. Plug the power stake into a GFCI protected outlet
5. Open the outlet covers and plug lights or appliances into the power outlets.

## Safety Information

- Do not exceed electrical ratings
  - Plug into a GFCI receptacle only
  - Fully insert plugs into outlet
  - Keep away from children
  - Store indoors while not in use
- NOT for use with:
- Generators or power inverters
  - Medical life-support products

**CAUTION:** Overloading this product could increase risk of fire. Use only with a total electrical draw of maximum 15 amp/1875 watt Christmas tree or other seasonal lighting products.

- \* If using Christmas tree or decorative lighting products that are not marked with an amp or watt rating, connect no more than 120 screw-base lamps (C7 or C9) or 10 strings with midget (push-in) lamps to this cord set.
- \* If using an outdoor-use cord for an extended period of time (greater than 90 days), please consider hard wiring a permanent outdoor-use receptacle rated for year-round use in the area that power is needed. Please contact a licensed electrician for proper installation of permanent wiring.
- \* After completion of installation, the connector shall be maintained a minimum of 6 inches above ground.
- \* **SUITABLE FOR INDOOR/OUTDOOR USE – STORE INDOORS WHILE NOT IN USE.**
- \* **PLUG INTO GROUND FAULT PROTECTED RECEPTACLE ONLY.**

## Warranty

BESTTEN warrants to the original customer that this product is free of defects in materials and workmanship for one year from the purchase date. Within this period, simply contact BESTTEN CARE with proof of purchase and reason of claim. We will replace the product for free.

Any product which is subject to misuse or accidental damage is excluded from this warranty.

support@ibestten.com  
1-800-358-6160 (Mon-Fri 9AM-5PM PST)

For more products from BESTTEN, please visit our website [www.ibestten.com](http://www.ibestten.com).