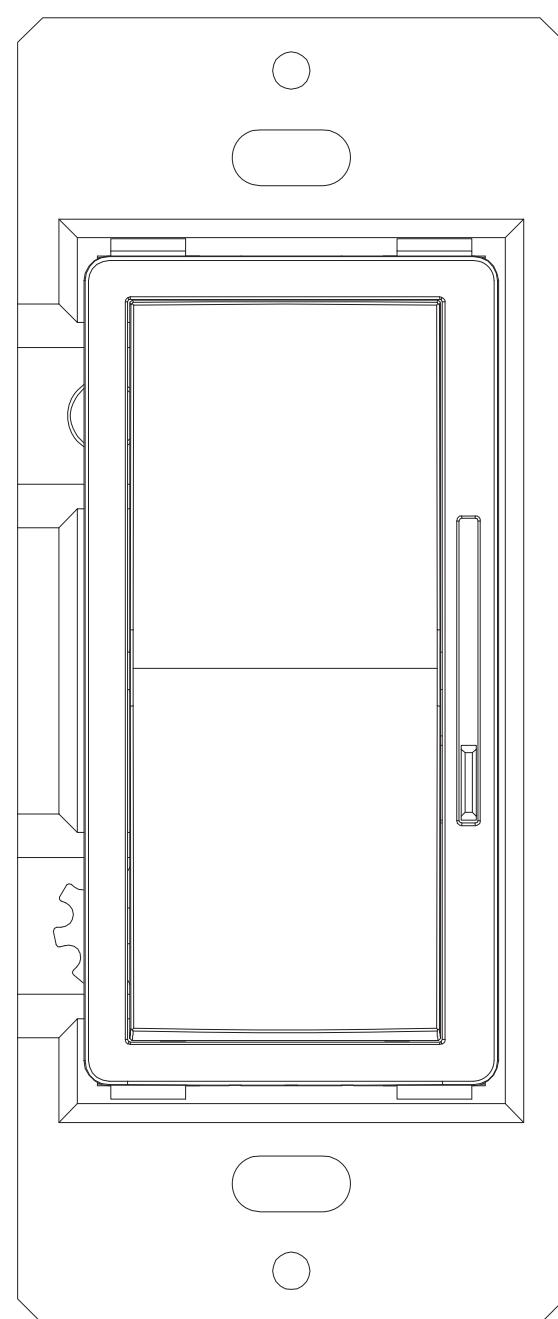


# Installation Instructions LED Dimmer Switch

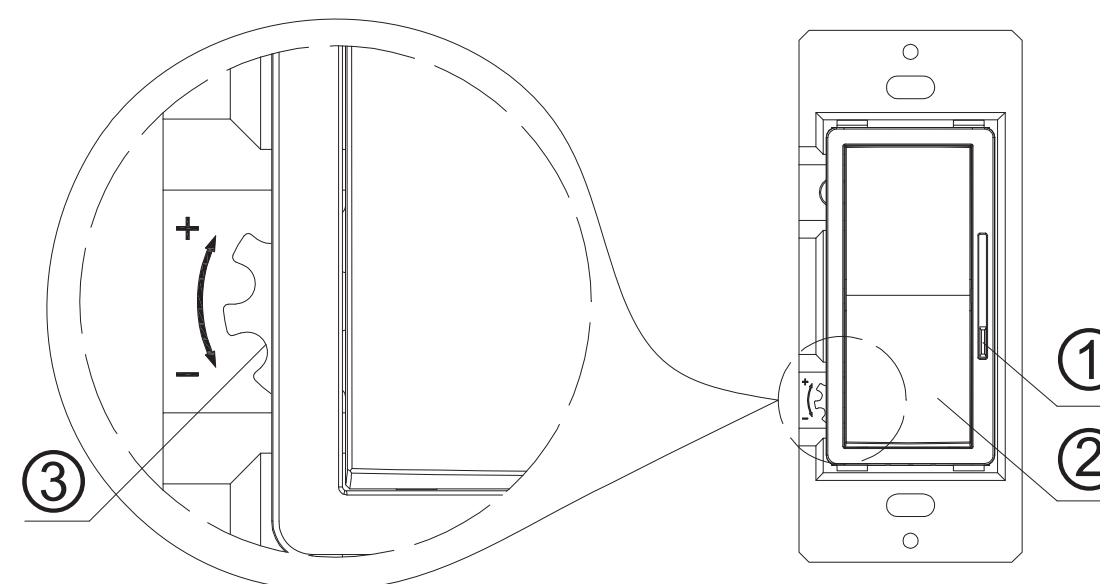
Works with DIMMABLE LED, CFL,  
Incandescent and Halogen Bulbs



## ⚠ Warnings and Cautions

- Risk of fire and electrical shock, products should be installed in accordance with appropriate electrical codes and regulations.
- Turn power off at circuit breaker or fuse and test that power is off before installing.
- After installing the dimmer, use the adjustment wheel to set the minimum stable light level.
- If you are unsure about any part of these instructions, consult a licensed electrician.
- To reduce the risk of overheating and possible damage to other equipment, do not install to control a receptacle, a motor-operated appliance or a transformer-supplied appliance.
- Use with compatible dimmable LED, CFL bulbs, Incandescent or Halogen bulbs only.
- When multiple bulbs are used with one dimmer DO NOT mix bulb types. All bulbs shall be either LED, CFL or incandescent. Using the same model of each bulb will enhance dimmer performance.

## Functional Parts Instructions



① Slide Control Lever ② Rocker Switch ③ Adjustment Wheel

### Slide Control Lever ①

- Move slide control lever ① up to increase brightness, move down to decrease brightness.

### Rocker Switch ②

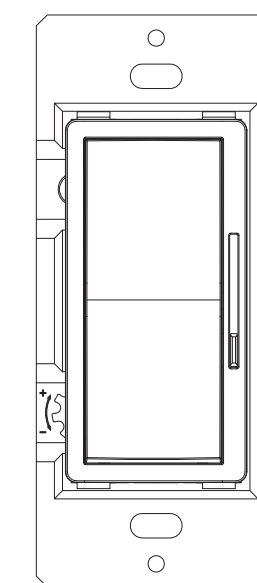
- Press the rocker switch ② of the dimmer, turn power on or off.

### Adjustment Wheel ③

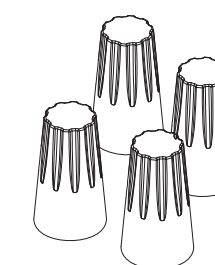
- Turn clockwise the adjustment wheel ③ to increase brightness, turn counter-clockwise to decrease brightness.
- Adjustment wheel ③ can adjust and set the minimum brightness level of the bulbs, make bulbs turn on with the dimmer for maximum dimming range. For details see step 7.

Model No.	Rated Voltage	Max.Load	Min.Load
		LED/Incandescent	LED/Incandescent
USP-DS08N	120V,60Hz	200W/600W	3W/15W

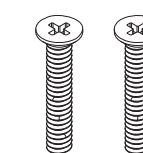
## Parts Information



Dimmer (1pc)



Wire Connectors (4pcs)



Mounting Screws (2pcs)

## Tools Needed to Install Your Dimmer

Flat Head Screwdriver	No 1/No 2 Philips Screwdriver	Electrical Tape	Wire Cutters
Pliers	Voltage Tester	Ruler	

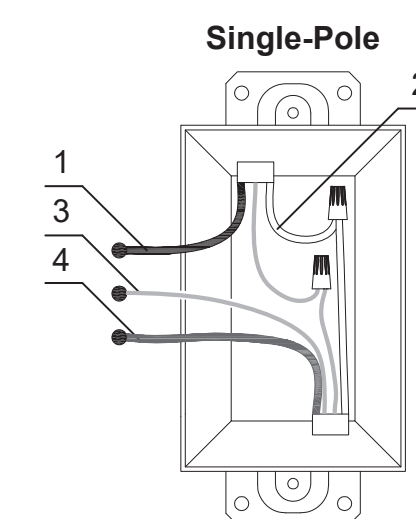
## Installation and Testing

**Step 1** ⚠ **WARNING:** To avoid fire and electrical shock, **TURN OFF POWER** at circuit breaker or fuse and test that power is off before wiring.

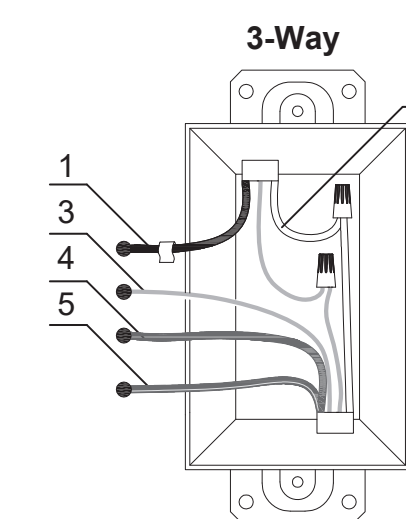
**Step 2** Carefully unscrew and remove the old switch from the wall box. **DO NOT** disconnect the wires from the switch at this time. (New construction will skip this step)

**Step 3 Identifying the Type of Circuit**

**NOTE:** If the wiring in the wall box does not resemble any of these configurations, consult an electrician.



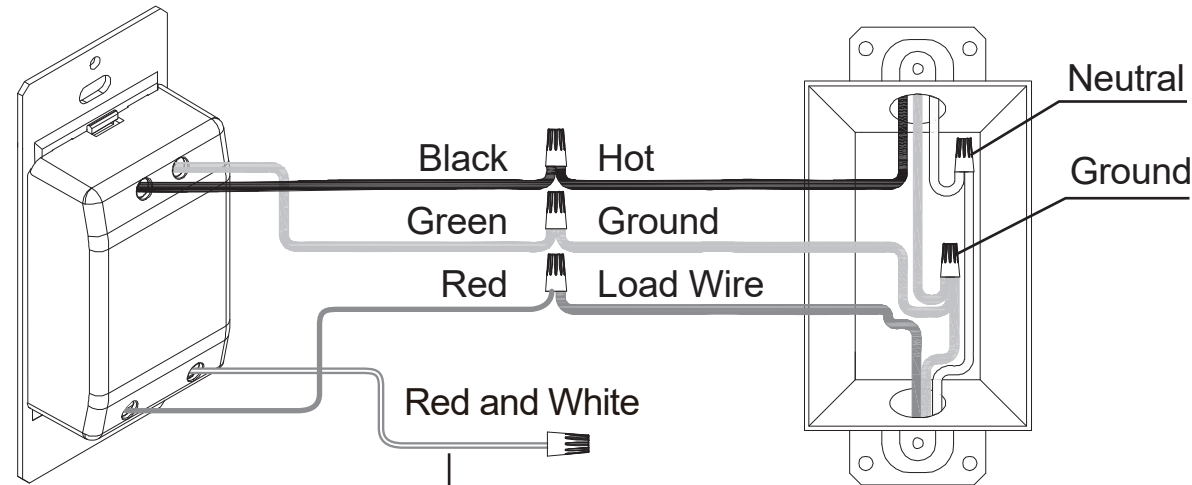
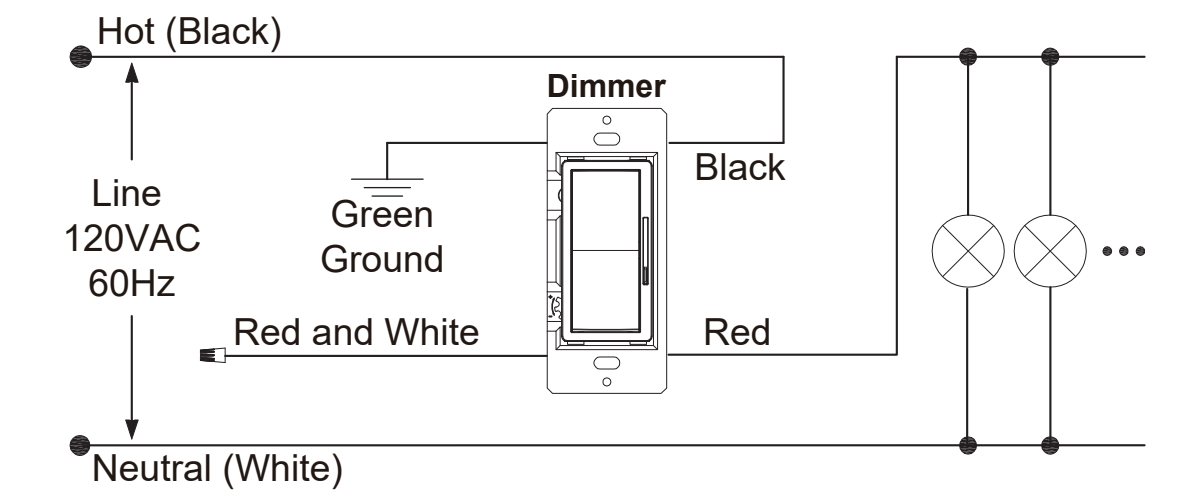
1 Line (Hot)  
2 Neutral  
3 Ground  
4 Load



1 Line or Load (See Note Below)  
2 Neutral  
3 Ground  
4 First Traveler Note Color  
5 Second Traveler Note Color

**IMPORTANT:** For 3-Way application, note that one of the screw terminals from the old switch being removed will usually be a different color (Black) or labeled Common. Tag that wire with electrical tape and identify as the common (Line or Load) in both the dimmer wall box and 3-way wall box.

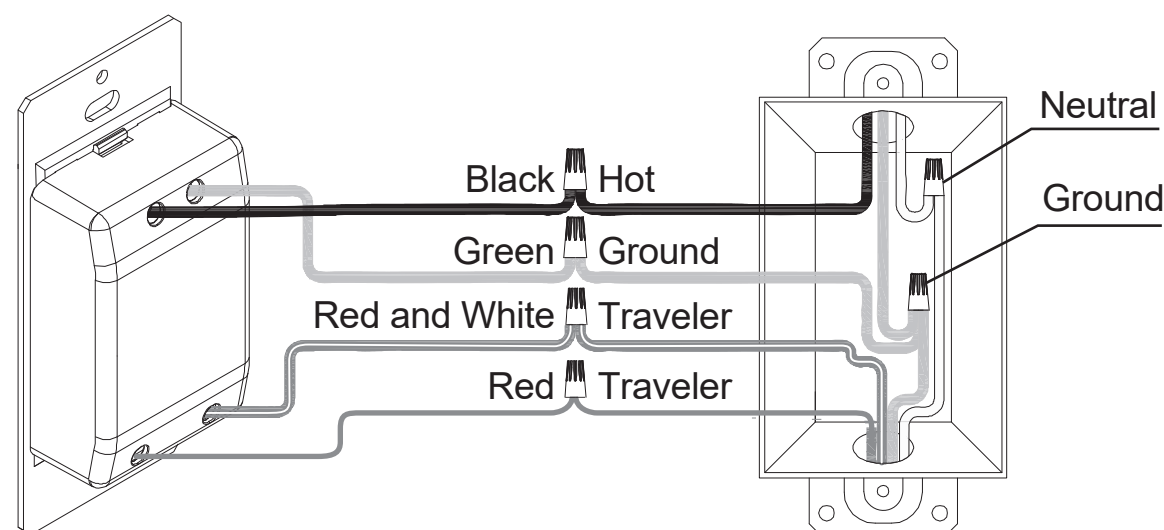
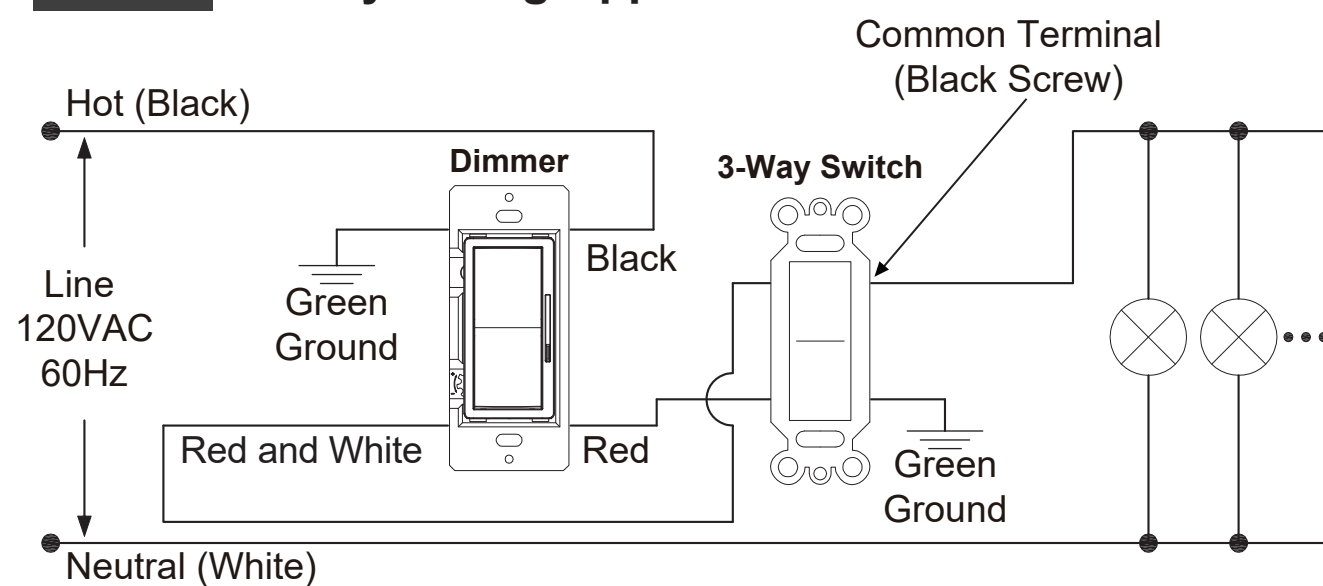
#### Step 4a Single-Pole Wiring Application:



This wire is used in 3-way installations only. For single pole installations cover with wire nut.

- Connect the green dimmer wire to the green or bare copper ground wire in the wall-box, and secure them with wire nut.
- Connect the black dimmer wire to the hot input wire removed from the old switch, and secure them with wire nut.
- Connect the red dimmer wire to the load wire removed from the old switch, and secure them with wire nut.
- Use remaining wire nut to cap the remaining red and white wire on dimmer.

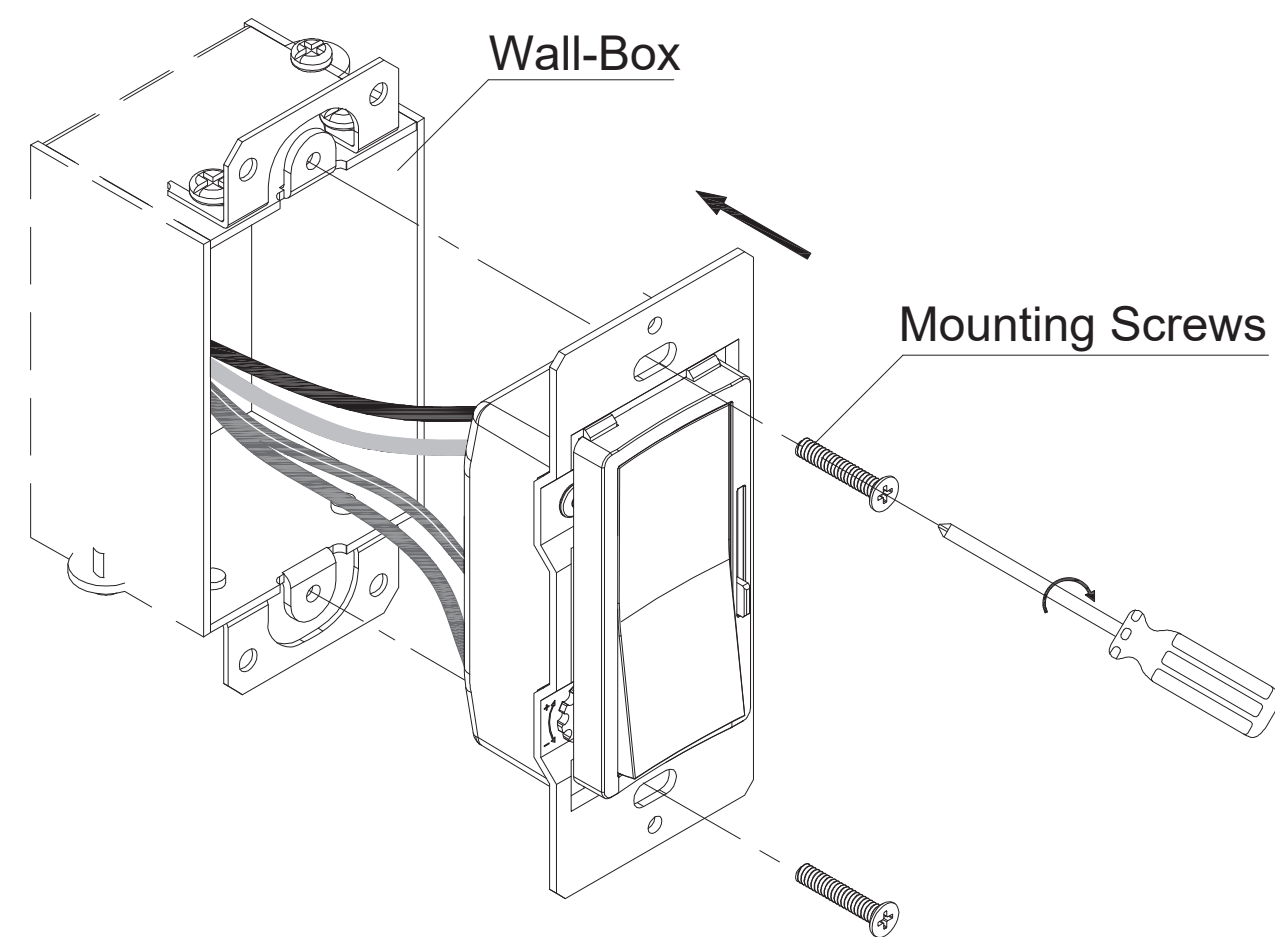
#### Step 4b 3-Way Wiring Application:



**IMPORTANT:** In a 3-way circuit, only one dimmer can be used

- Connect the green dimmer wire to the green or bare copper ground wire in the wall-box, and secure them with wire nut.
- Connect the black dimmer wire to the hot input wire with tag removed from the old switch, and secure them with wire nut.
- Connect the red dimmer wire, red and white dimmer wire to the remaining 3-way switch's two wires removed from the old switch, and twist them with wire nuts.

#### Step 5 Installing the Dimmer



- Carefully position all wires inside the wall-box, leaving enough room to insert the dimmer housing. Put the dimmer inside the wall-box.
- Mount the dimmer securely inside the wall-box using the provided mounting screws.

#### Step 6 Turn Power On

- Turn power on at circuit breaker or replace the fuse. Try out your new dimmer.
- If you're satisfied with dimming range and light output of your bulbs, proceed to step 8.

#### NOTE:

Dimmable LEDs may not dim as low as incandescent or halogen bulbs. Dimming range of dimmable LEDs can vary from manufacturer to manufacturer. If your bulbs do not dim to your satisfaction, especially the dimmer range and minimum brightness level, adjust the adjustment wheel of the dimmer after installed can get desired lighting result (The product is designed with an adjustment wheel). For details see step 7.

#### Step 7 Testing

- Move slide control lever ① to the 30%-50% position, push the rocker switch ② to the ON position to turn on the lights. Move the slide control lever ① down to the lowest setting.
- Slowly turn the adjustment wheel ③ to lowest brightness level where light output for all bulbs is stable and does not flicker or flash.
- Push rocker switch ② off and back on after 1 second. Verify that all bulbs turn on and are stable, do not flicker or flash.
- If all or some bulbs do not turn on or satisfy to your minimum brightness level, turn the adjustment wheel ③ clockwise (+) slowly until all bulbs work or minimum brightness level is achieved. Then repeat step 3.
- Please ensure that all bulbs turn on and achieve minimum brightness level when the rocker switch ② is in the ON position and the slide control lever ① is in the lowest position. Please test for full dimming range.

#### Troubleshooting

Problem	Possible Cause	Solution
Lights flickering	Lamp has a bad connection	Reconnect and fix the wires
LED and CFL flickers at low end of dimming range	Adjust the adjustment wheel	See step 7
Light does not turn on	Circuit breaker has tripped	Turn power on
	Fuse burn out	Change fuse
	Lamp burned out	Change lamp
	Lamp neutral connection is not wired	Reconnect the lamp neutral

