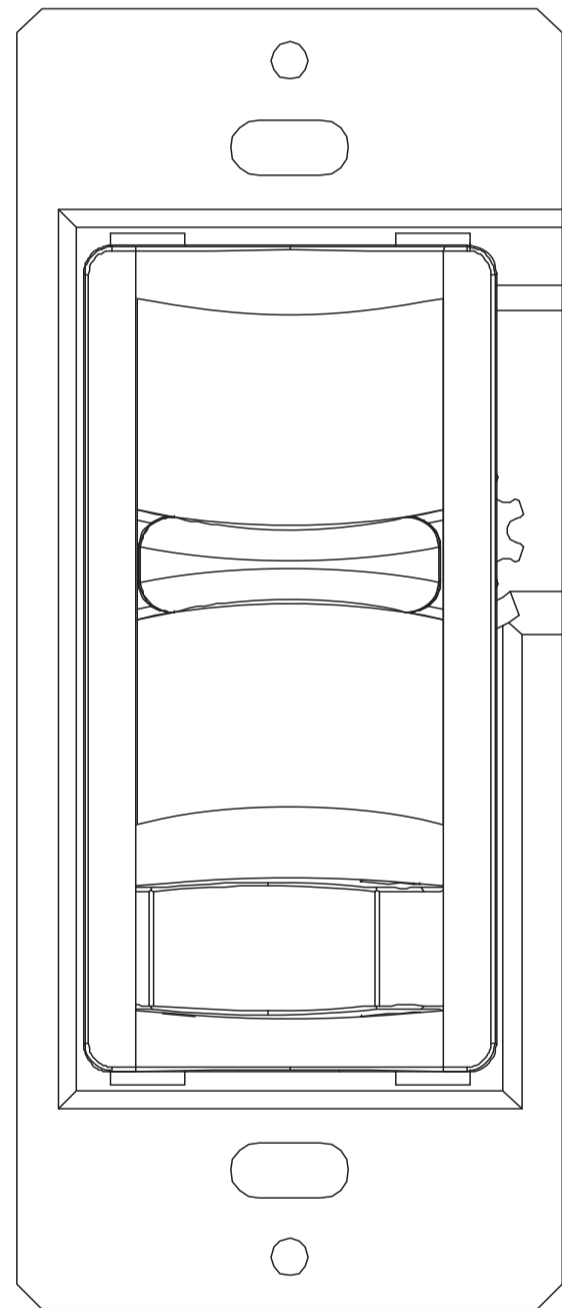


BESTTEN®

Installation Instructions LED Dimmer Switch

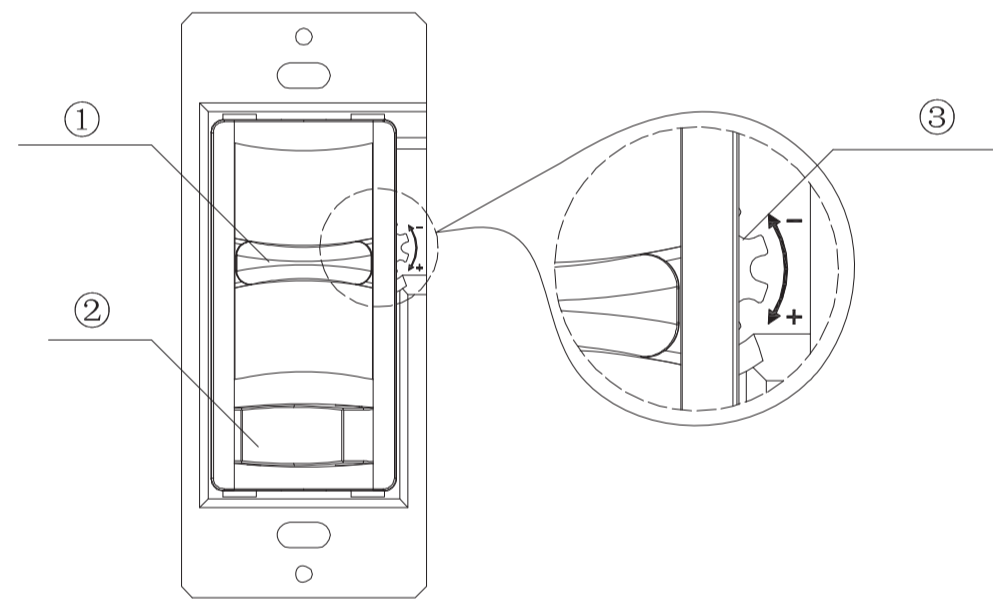
Works with DIMMABLE LED, CFL,
Incandescent and halogen bulbs



⚠ WARNINGS AND CAUTIONS

- Risk of fire and electrical shock, products should be installed in accordance with appropriate electrical codes and regulations.
- Turn power off at circuit breaker or fuse and test that power is off before installing.
- After installing the dimmer, use the adjustment wheel to set the minimum stable light level.
- If you are unsure about any part of these instructions, consult a licensed electrician.
- To reduce the risk of overheating and possible damage to other equipment, do not install to control a receptacle, a motor-operated appliance or a transformer-supplied appliance.
- Use with compatible dimmable LED, CFL bulbs, Incandescent or halogen bulbs only.
- When multiple bulbs are used with one dimmer DO NOT mix bulb types. All bulbs shall be either LED, CFL or incandescent. Using the same model of each bulb will enhance dimmer performance.

Functional parts instructions



① Slide Control Lever ② Rocker Switch ③ Adjustment Wheel

Slide Control Lever ①

- Move slide control lever ① up to increase brightness, move down to decrease brightness.

Rocker Switch ②

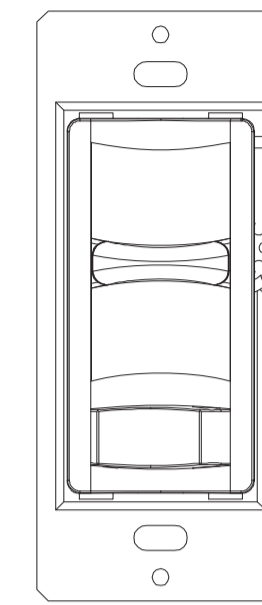
- Press the rocker switch ② of the dimmer, turn power on or off.

Adjustment Wheel ③

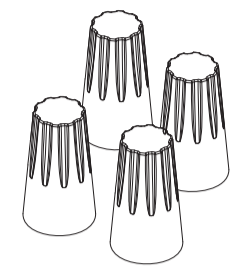
- Turn clockwise the adjustment wheel ③ to increase brightness, turn counter-clockwise to decrease brightness. Adjustment wheel ③ can adjust and set the minimum brightness level of the bulbs, make bulbs turn on with the dimmer for maximum dimming range. For details see step 7.

| Model No. | Rated Voltage | Max.Load | | Min.Load | |
|-----------|---------------|------------------|------------------|------------------|------------------|
| | | LED/Incandescent | LED/Incandescent | LED/Incandescent | LED/Incandescent |
| USP-DS07N | 120V,60Hz | 200W/600W | 200W/600W | 3W/15W | 3W/15W |

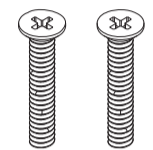
Parts information



dimmer(1pc)



Wire nut(4pcs)



mounting screw(2pcs)

Tools needed to install your Dimmer

| | | | |
|-----------------------|-------------------------------|-----------------|--------------|
| Flat Head Screwdriver | No 1/No 2 Philips Screwdriver | Electrical Tape | Wire Cutters |
| Pliers | Voltage Tester | Ruler | |

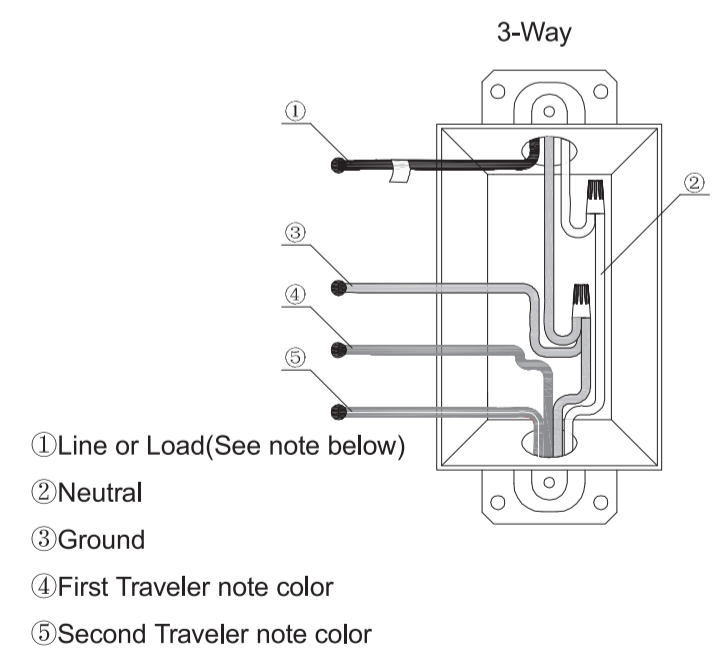
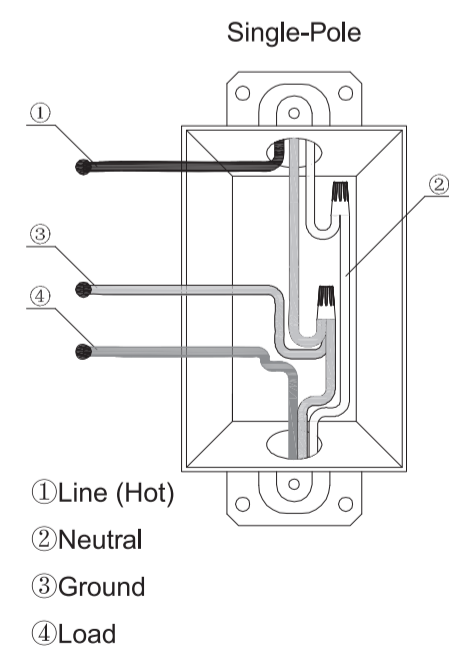
Installation and testing

Step 1 ⚠ **WARNING:** To avoid fire and electrical shock,TURN OFF POWER at circuit breaker or fuse and test that power is off before wiring.

Step 2 Carefully unscrew and remove the old switch from the wall box. DO NOT disconnect the wires from the switch at this time. (New construction will skip this step)

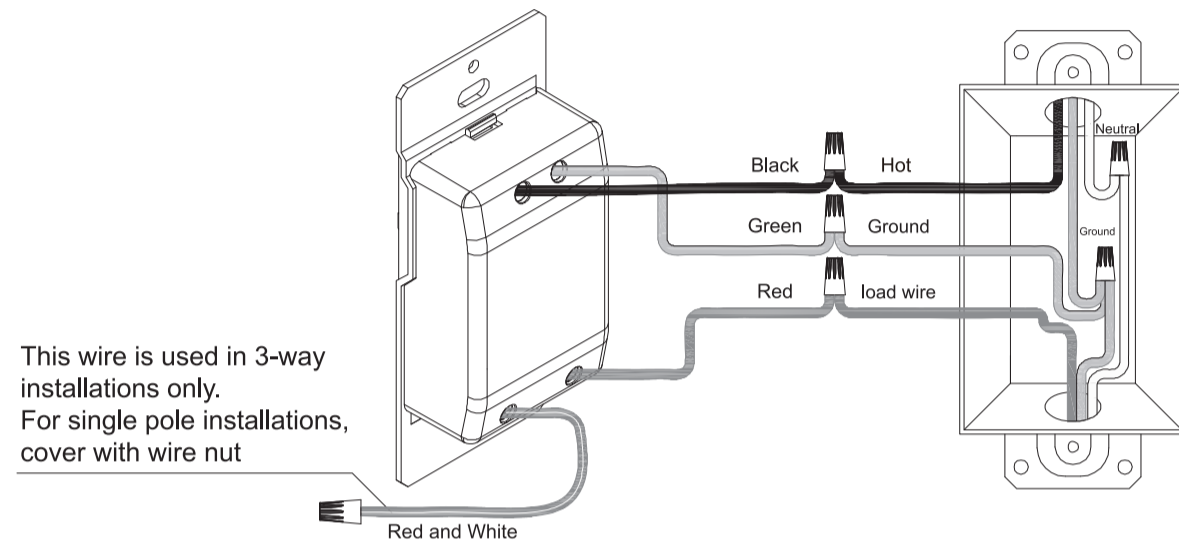
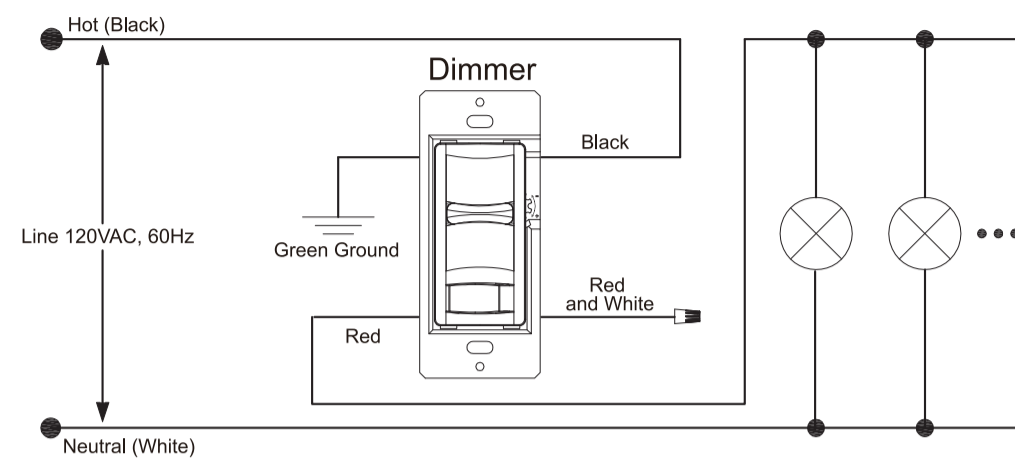
Step 3 Identifying the type of circuit

NOTE: If the wiring in the wall box does not resemble any of these configurations, consult an electrician.



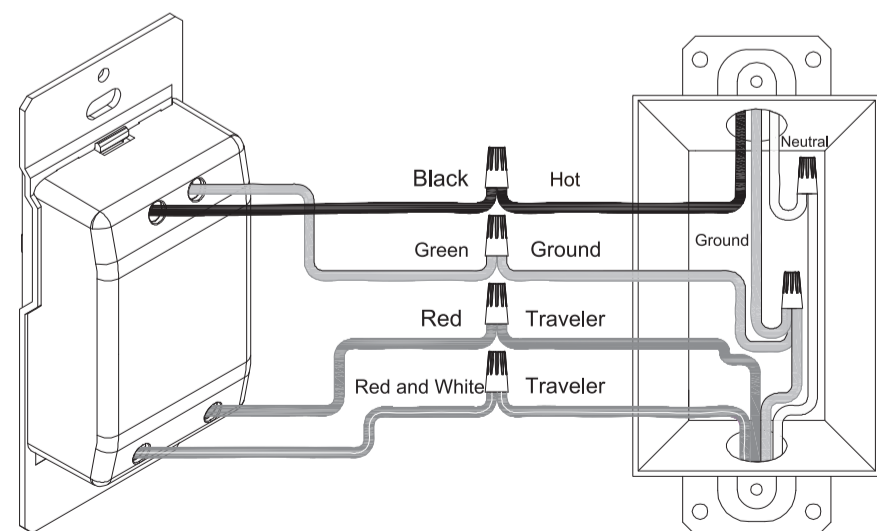
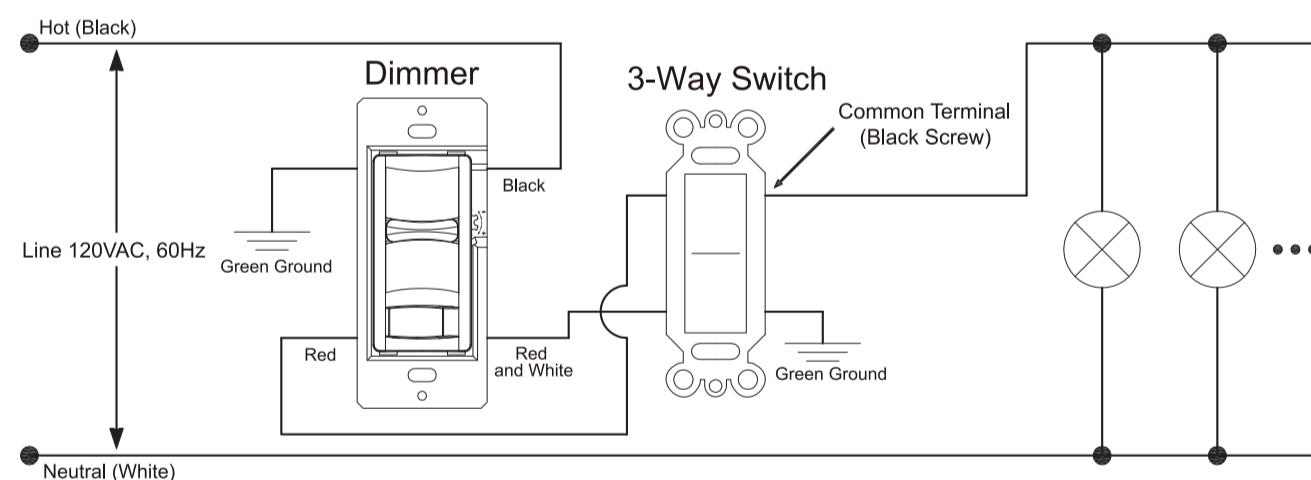
IMPORTANT: For 3-Way applications, note that one of the screw terminals from the old switch being removed will usually be a different color (Black) or labeled Common. Tag that wire with electrical tape and identify as the common (Line or Load) in both the dimmer wall box and 3-way wall box.

Step 4a Single-Pole Wiring Application:



- Connect the green dimmer wire to the green or bare copper ground wire in the wall-box, and secure them with wire nut.
- Connect the black dimmer wire to the hot input wire removed from the old switch, and secure them with wire nut.
- Connect the red dimmer wire to the load wire removed from the old switch, and secure them with wire nut.
- Use remaining wire nut to cap the remaining red and white wire on dimmer.

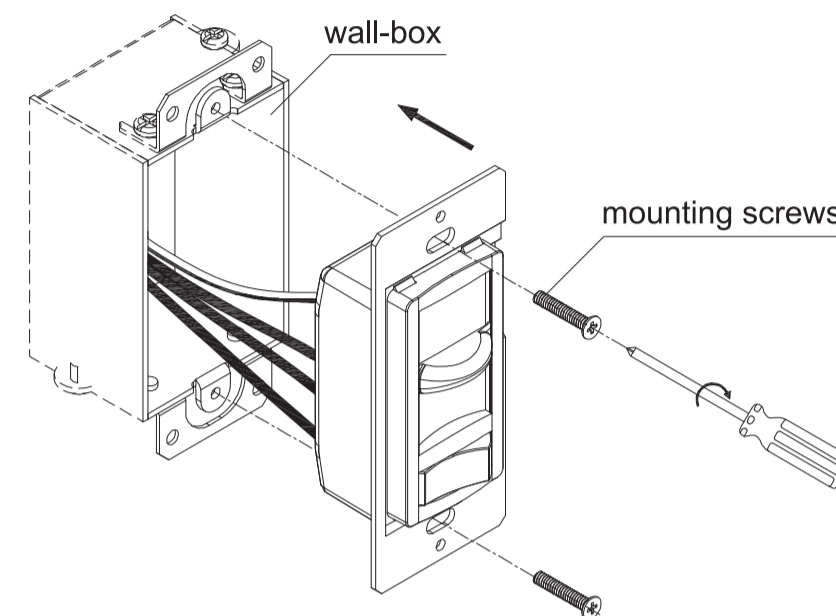
Step 4b 3-Way Wiring Application:



IMPORTANT: In a 3-way circuit, only one dimmer can be used

- Connect the green dimmer wire to the green or bare copper ground wire in the wall-box, and secure them with wire nut.
- Connect the black dimmer wire to the hot input wire with tag removed from the old switch, and secure them with wire nut.
- Connect the red dimmer wire, red and white dimmer wire to the remaining 3-way switch's two wires removed from the old switch, and twist them with wire nuts.

Step 5 Installing the dimmer



- Carefully position all wires inside the wall-box, leaving enough room to insert the dimmer housing. Put the dimmer inside the wall-box.
- Mount the dimmer securely inside the wall-box using the provided mounting screws.

Step 6 Turn power on

- Turn power on at circuit breaker or replace the fuse. Try out your new dimmer.
- If you're satisfied with dimming range and light output of your bulbs, proceed to the next steps.

NOTE: Dimmable LEDs may not dim as low as incandescent or halogen bulbs. Dimming range of dimmable LEDs can vary from manufacturer to manufacturer. If your bulbs do not dim to your satisfaction, especially the dimmer range and minimum brightness level, adjust the adjustment wheel of the dimmer after installed can get desired lighting result (The product is designed with an adjustment wheel). For details see step 7.

Step 7 Testing

1. Move slide control lever ① to the 30%-50% position, push the rocker switch ② to the ON position to turn on the lights. Move the slide control lever ① down to the lowest setting.
2. Slowly turn the adjustment wheel ③ to lowest brightness level where light output for all bulbs is stable and does not flicker or flash.
3. Push rocker switch ② off and back on after 1 second. Verify that all bulbs turn on and are stable, do not flicker or flash.
4. If all or some bulbs do not turn on or satisfy to your minimum brightness level, turn the adjustment wheel ③ clockwise (+) slowly until all bulbs work or minimum brightness level is achieved. Then repeat step 3.
5. Please ensure that all bulbs turn on and achieve minimum brightness level when the rocker switch ② is in the ON position and the slide control lever ① is in the lowest position. Please test for full dimming range.

Troubleshooting

| Problem | Possible Cause | Solution |
|--|--------------------------------------|-----------------------------|
| Lights flickering | Lamp has a bad connection | Reconnect and fix the wires |
| LED and CFL flickers at low end of dimming range | Adjust the adjustment wheel | See step 7 |
| Light does not turn on | Circuit breaker has tripped | Turn power on |
| | Fuse burn out | Change fuse |
| | Lamp burned out | Change lamp |
| | Lamp neutral connection is not wired | Reconnect the lamp neutral |

Warranty

BESTTEN warrants to the original customer that this product is free of defects in materials and workmanship for one year from the purchase date. Within this period, simply contact BESTTEN CARE with proof of purchase and reason of claim. We will replace the product for free.

Any product which is subject to misuse or accidental damage is excluded from this warranty.

support@ibestten.com

1-800-358-6160 (Mon-Fri 9AM-5PM PST)

For more products from BESTTEN, please visit our website www.ibestten.com.

