

Portable & Folding Solar Panels



Portable solar panels Carry it outdoors

Easy for users to use and carry, just plug and play, and charge various mobile devices such as mobile phones, tablets, digital cameras, etc. through USB output.



Folding Size
23.03 X 21.65 X 0.78 inch

Unfolding Size
65.15 X 21.65 X 0.78 inch



■ **Easy to carry**

Portable or handbag design make it easy to transport and carry.

■ **Customized**

The size of panels can be customized according to different needs of customers.

■ **Well waterproof**

With IP65 water-resistant can protect it from water splashing and require far less maintenance.



■ **High conversion efficiency**

High efficiency mono solar cells are used to give it fast charging rate.

■ **Excellent outdoor performance**

It is water-resistant to endure all weather conditions, ideal for outdoor activities.



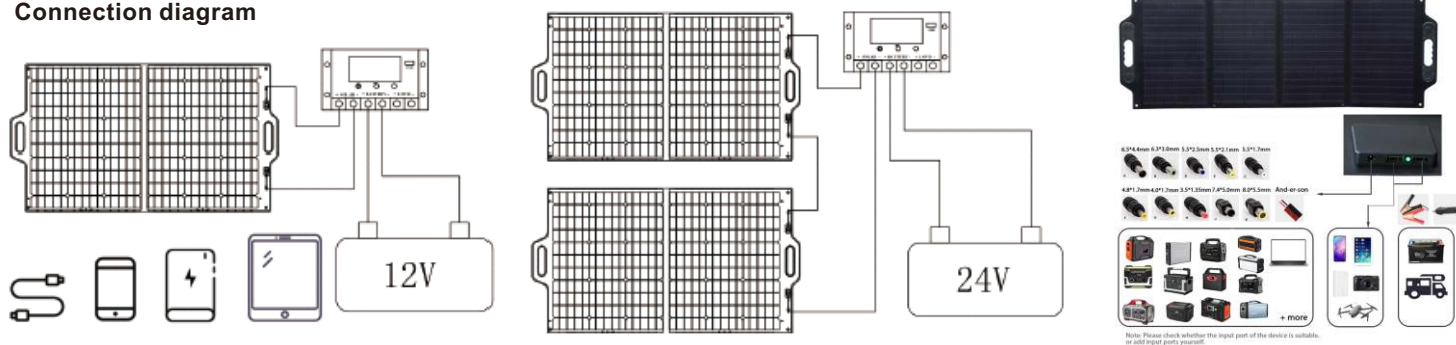
Portable design escorts your power supply

Portable solar panels-Roicht@_IN Series

*Standard test conditions: irradiance 1000W/m², component temperature 25°C, wind speed 0m/s, AM=1.5

Cell type	Pmax(W)	SKU	Vmp(V)	Imp(A)	Voc(V)	Isc(A)	Unfolded Size(mm)	Folded Size(mm)	Weight(kg)	Packing(mm)	Packing number(pcs)
Mono cell	7W	205030051	7	1	8.4	1.1	295*190*4	295*190*4	0.3	320*220*40	12000
Mono cell	14W	205030032	7	2	8.4	2.2	395*300*4	300*205*17	0.5	320*220*40	12000
Mono cell	21W	205030052	7	3	8.4	3.3	590*300*4	300*205*25	0.7	320*220*40	12000
Mono cell	28W	205030030	7	4	8.4	4.4	790*300*4	300*205*30	0.9	320*220*40	12000
Mono cell	50W	205030053	19.8	2.52	23.76	2.77	830*370*4	430*540*33	2.05	565x450x55	4500
Mono cell	100W	205030049	19.8	5.05	23.76	5.55	1065*545*4	430*540*40	3.6	565x450x55	4500
Mono cell	100W	203010141	18	5.55	21.6	6.11	1228*665*20	665*620*20	4.1	685x640x60	2310
Mono cell	150W	205010146	18	8.33	21.6	9.16	1626*730*20	730*545*40	6.25	755*554*50	2680
Mono cell	200W	205010147	18	11.11	21.6	12.22	2330*665*20	665*620*45	8	685*640*60	2310

Connection diagram

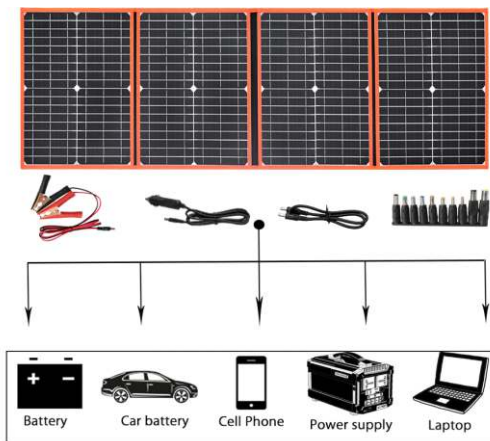


Portable solar panels-Roicht@_BA Series

*Standard test conditions: irradiance 1000W/m², component temperature 25°C, wind speed 0m/s, AM=1.5

Cell type	Pmax(W)	SKU	Vmp(V)	Imp(A)	Voc(V)	Isc(A)	Unfolded Size(mm)	Folded Size(mm)	Weight(kg)	Packing(mm)	Packing number(pcs)
Mono cell	40W	205060031	18	2.22	21.6	2.44	700*420*4	420*350*26	1.5	430x370x40	9720
Mono cell	60W	205060032	18	3.33	21.6	3.66	1065*420*4	420*350*31	2	430x370x40	9720
Mono cell	80W	205060033	18	4.44	21.6	4.88	1410*420*4	420*350*35	2.5	430x370x40	9720
Mono cell	100W	205060034	18	5.55	21.6	6.1	1780*420*4	420*350*40	3.2	430x370x40	9720

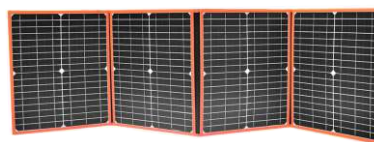
Connection diagram



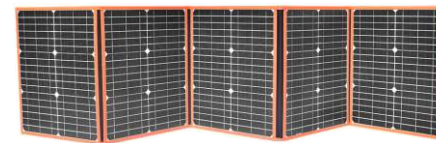
40W



60W



80W



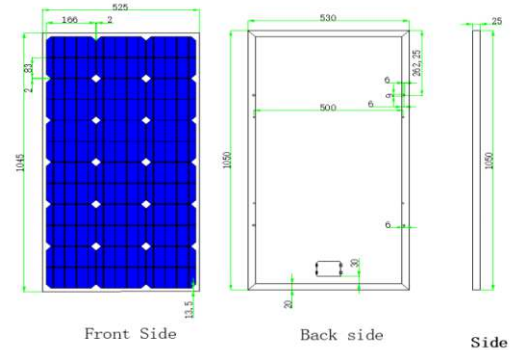
100W

Foldable solar charger-PCB Folding Box

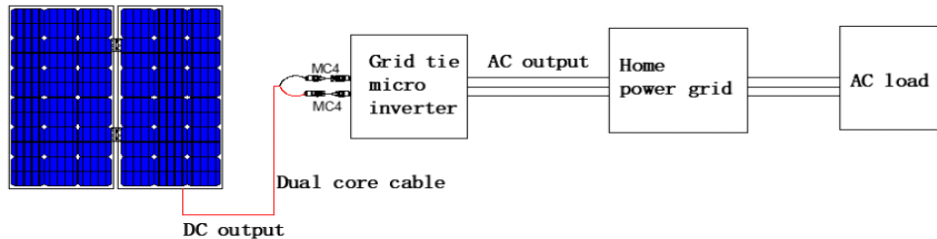
*Standard test conditions: irradiance 1000W/m², component temperature 25°C, wind speed 0m/s, AM=1.5

Cell type	Pmax(W)	SKU	Vmp(V)	Imp(A)	Voc(V)	Isc(A)	Performance Tolerance	Size(mm)	Weight(kg)	Packing(mm)	Efficiency	40 "high cabinet (L:12MXW:2.34M +H:2.69)
156 Mono	2x50W	205040009	18	5.55	21.6	6.1	±5%	1025*680*25 680*510*53	5	700*530*70	20%	2628pcs
156 Mono	2x100W	205040006	19.8	10.1	23.76	11.11	±5%	1065*1050*25 1050*530*53	6	1070*550*70	21%	1188pcs
156 Mono	2x150W	205040008	19.8	15.15	23.76	16.67	±5%	1405*1400*25 1400*700*53	9.5	1420*720*70	21%	1452pcs

PCB Folding Box



Connection diagram

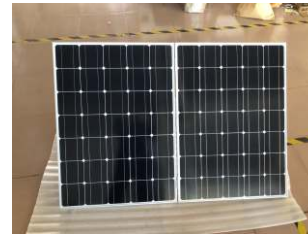
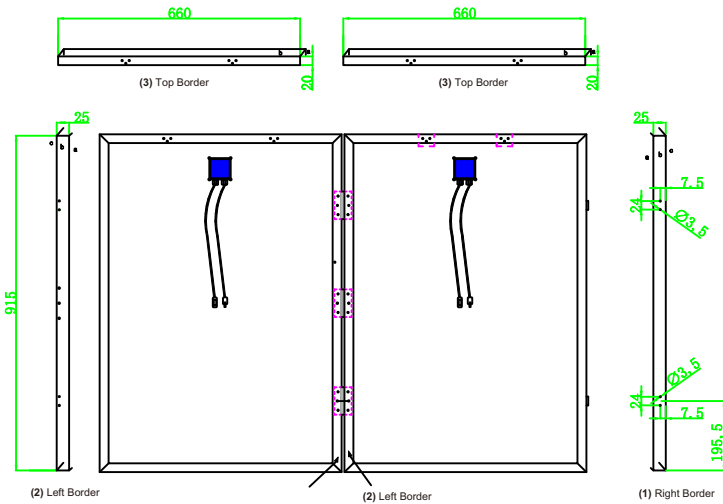


Rigid Folding Solar Panel-Roicht@_GL Series

*Standard test conditions: irradiance 1000W/m², component temperature 25°C, wind speed 0m/s, AM=1.5

Cell type	Pmax(W)	SKU	Vmp(V)	Imp(A)	Voc(V)	Isc(A)	Performance Tolerance	Size(mm)	Weight(kg)	Packing(mm)	Efficiency	40 "high cabinet (L:12MXW:2.34M +H:2.69)
156 Mono	2x50W	/	18	5.55	21.6	6.1	±5%	1025*680*25 680*510*53	7	700*530*70	20%	1848pcs
125 Mono	2x100W	205010010	18	11.1	21.6	12.2	±5%	1325*915*25 915*660*53	10	935*680*70	20%	1188pcs

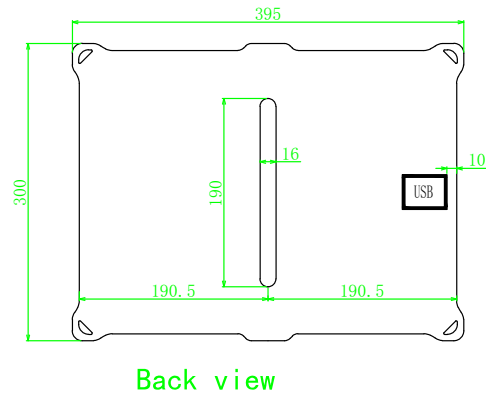
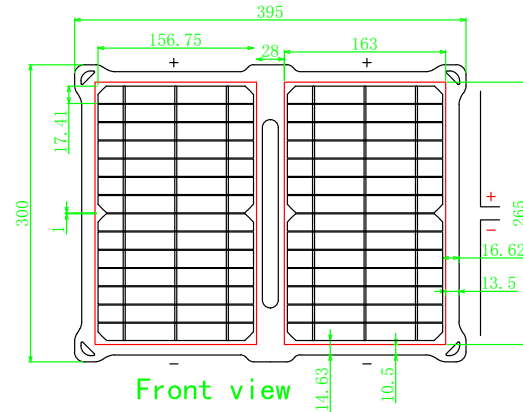
Structural drawing

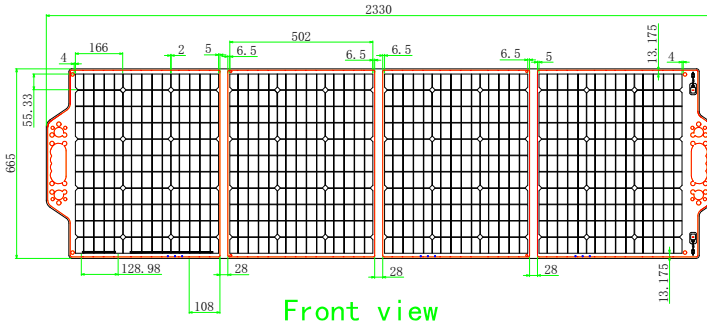




Mechanical Diagrams (Roicht@_BA Series)

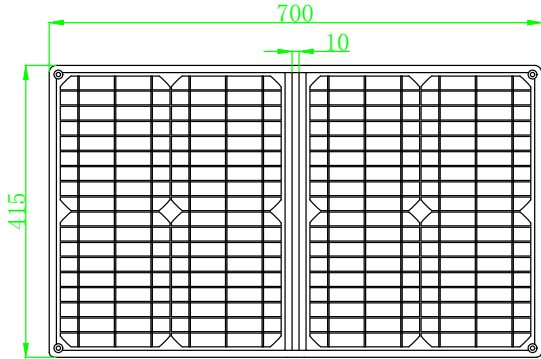
Portable 14W



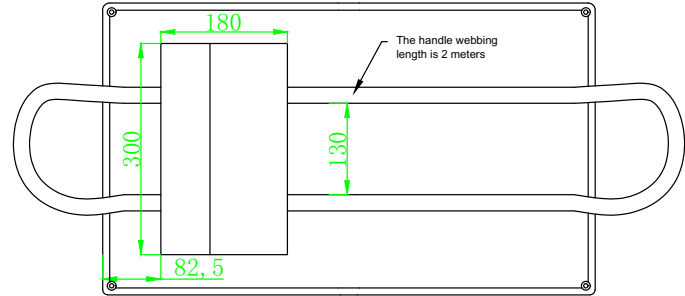


Mechanical Diagrams (Roicht@_IN Series)

Portable 200W



Front view

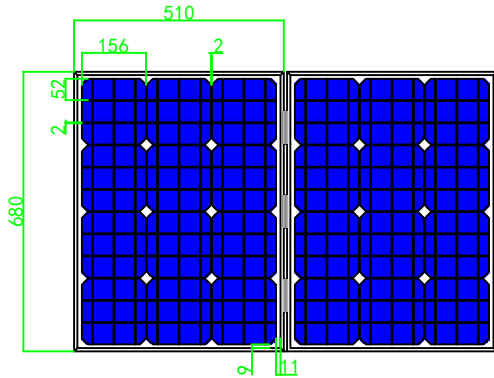


Back view

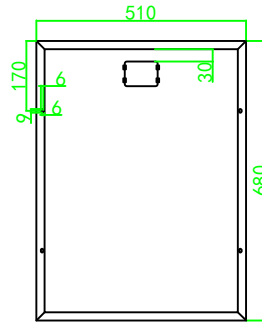
Mechanical Diagrams (Roicht@_BA Series)

Portable 40W

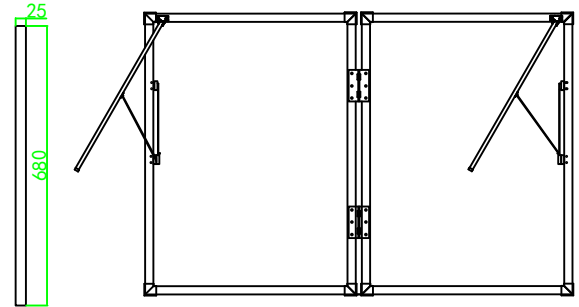




Front view



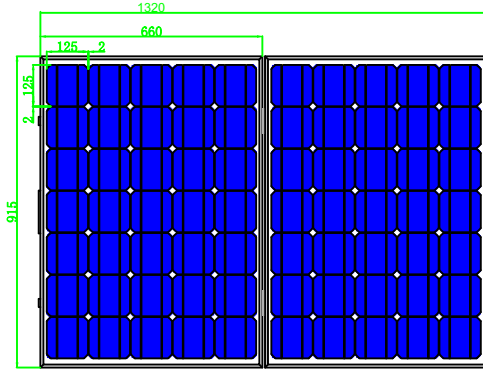
Back view



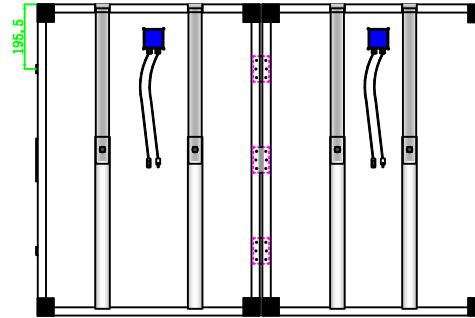
Mechanical Diagrams (PCB Folding Box)

Portable 2X50W

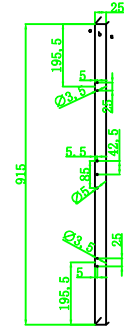




Front view



Back view



Mechanical Diagrams (Roicht@_GL Series)

Portable 2X100W



“Mission:

**Absorbing Sunshine
Focusing Energy**

Returning the earth to a clean place”

SOLARParts®
For Consumable Energies

Company: Shenzhen Solarparts Inc.

Shenzhen Puguang Solar Energy Co.,Ltd.

Address: the 4th Floor, A3 Building Xinlian Industrial
Park, Ping Xin North Road Pinghu Town
Shenzhen 518112 China.

Email address: info@isolarparts.com
Homepage: www.isolarparts.com