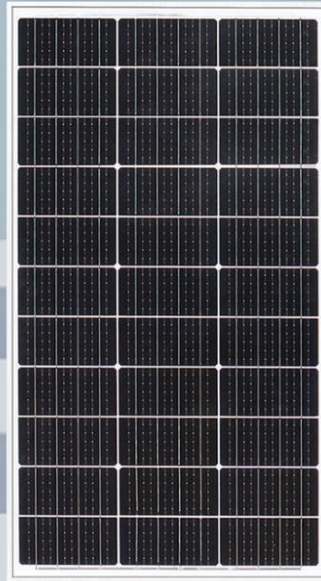
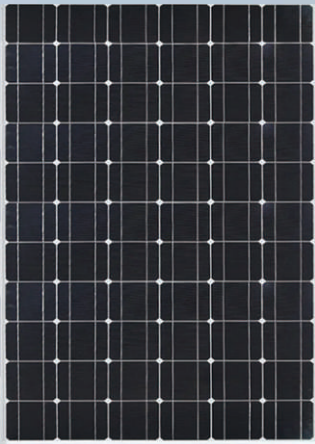


Xinpuguang@_Rigid Series Solar Panels





EASY TO INSTALL
WATERPROOF DUSTPROOF



HIGH POWER GENERATION



10W-300W Specification

*Standard test conditions: irradiance 1000W/m², component temperature 25°C, wind speed 0m/s, AM=1.5

Cell type	Pmax(W)	Vmp(V)	Imp(A)	Voc(V)	Isc(A)	Performance Tolerance	Size(mm)	Weight (kg/pcs)	Packing (mm)	Efficiency	40 'high cabinet (L:12MXW:2.34M+H:2.69)
156 Mono	10W	18	0.56	21.6	0.61	±5%	330*245**18	0.8	1170*350*270 50pcs/carton	18%	24300pcs/cabinet
	20W	18	1.11	21.6	1.22	±5%	505*295*18	1.53	610*540*330 25pcs/carton	20%	12600pcs/cabinet
	30W	18	1.67	21.6	1.83	±5%	630*345*18	2.23	660*500*380 20pcs/carton	18%	7680pcs/cabinet
	40W	17.4	2.3	20.88	2.53	±5%	665*520*25	3.8	700*330*550 10pcs/carton	16%	3840pcs/cabinet
125 Mono	50W	16	3.13	19.2	3.44	±5%	545*535*25	3.2	580*330*570 10pcs/carton	20%	2424pcs/cabinet
166 Mono	60W	16.5	3.64	19.8	3.99	±5%	650*540*17	3.5	685*250*575 10pcs/carton	20%	5120pcs/cabinet
161 Mono	80W	16.5	4.85	19.8	5.33	±5%	950*530*25	5.5	990*180*560 5pcs/carton	20%	2160pcs/cabinet
125 Mono	100W	18	5.56	21.6	6.11	±5%	1160*530*25	6.7	1175*545*70 2pcs/carton	20%	2376pcs/cabinet
161 Mono	100W	18	5.56	21.6	6.11	±5%	1020*515*25	5.7	1135*530*70 2pcs/carton	22%	2376pcs/cabinet
166 Mono	150W	18	5.56	21.6	6.11	±5%	955*530*25	5.5	970*545*70 2pcs/carton	22%	2904pcs/cabinet
	200W	30	5	36	5.5	±5%	1040*795*30	8.8	1060*810*80 2pcs/carton	22%	1456pcs/cabinet
125 Mono	200W	36	5.56	43.2	6.11	±5%	1580*808*35	13.8	1600*825*90 2pcs/carton	20%	(200W and 100W combined cabinet) 200W:676pcs 100W:726pcs
156 Mono	200W	18	11.11	21.6	12.22	±5%	1460*670*35	10.6	1480*695*90 2pcs/carton	22%	1092pcs/cabinet
166 Mono	200W	19.8	10.1	23.7	10.8	±5%	1545*700*35	11.8	1565*715*90 2pcs/carton	21%	1092pcs/cabinet
156 Mono	250W	20	8.34	36	9.18	±5%	1520*990*35	16.5	1540*1005*90 2pcs/carton	20%	728pcs/cabinet
166 Mono	300W	29.7	10	35.64	11	±5%	1550*1045*35	17.8	1570*1060*90 2pcs/carton	21%	728pcs/cabinet



320W-540W Specification

*Standard test conditions: irradiance 1000W/m², component temperature 25°C, wind speed 0m/s, AM=1.5

Cell type	Pmax(W)	Vmp(V)	Imp(A)	Voc(V)	Isc(A)	Performance Tolerance	Size(mm)	Weight (kg/pcs)	Packing (mm)	Efficiency	40 'high cabinet (L:12MXW:2.34M+H:2.69)
156 Mono	320W	38.10	8.40	45.72	8.82	±5%	1956*992*40	20.3	1980*1010*100 2pcs/carton	18.5%	528pcs/cabinet
156 Mono	350W	38.80	9.02	46.56	9.47	±5%	1956*992*40	20.3	1980*1010*100 2pcs/carton	20%	528pcs/cabinet
156 Mono	360W	39.10	9.21	46.92	9.67	±5%	1956*992*40	20.3	1980*1010*100 2pcs/carton	21%	528pcs/cabinet
182 Mono	360W	34.2	10.53	41.04	11.16	±5%	1540*1134*35	18.8	1560*1150*90 2pcs/carton	22.6%	728pcs/cabinet
156 Mono	370W	39.30	9.41	47.16	9.89	±5%	1956*992*40	20.3	1975*1010*100 2pcs/carton	22%	528pcs/cabinet
166 Mono	400W	39.6	10	47.52	11	±5%	2055*1045*35	23	2075*1060*90 2pcs/carton	21%	572pcs/cabinet
156 Mono	450W	41.52	10.84	49.7	11.36	±5%	2120*1052*40	23.5	2140*1070*100 2pcs/carton	22%	480pcs/cabinet
166 Mono	500W	42.8	11.09	51.7	12.28	±5%	2185*1098*40	25.3	2210*1115*100 2pcs/carton	22%	480pcs/cabinet
182 Mono	540W	41.62	12.96	49.55	13.89	±5%	2279*1134*35	28.5	2300*1150*90 2pcs/carton	22.8%	(540W and 250Wcombined cabinet) 540W:260pcs 250W:364pcs

■ Rugged structure

Featured with rugged design to withstand high winds (2400Pa), hail and snow load (5400Pa).

■ High conversion rate

High-efficiency mono/poly cells with the conversion rate is as high as 23% .



■ Industry-Leading Technology

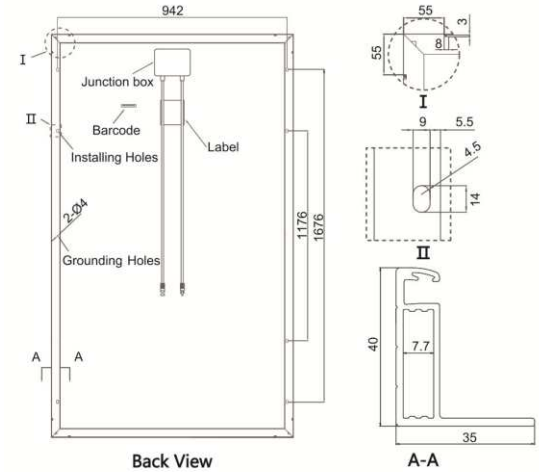
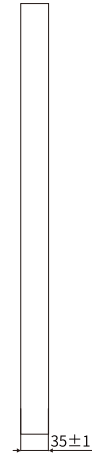
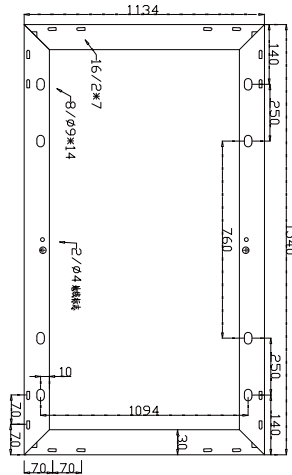
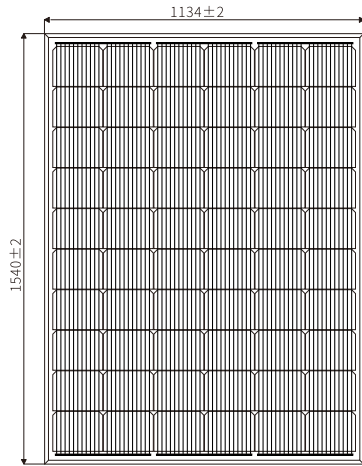
With bypass diodes make it has excellent performance under low light environment.

■ Well Waterproof

The junction box with IP65 waterproof rating can effectively resist the long-term erosion.

■ Easy installation

Equipped with spaced metal grommet mounting holes are available to attach fasteners.

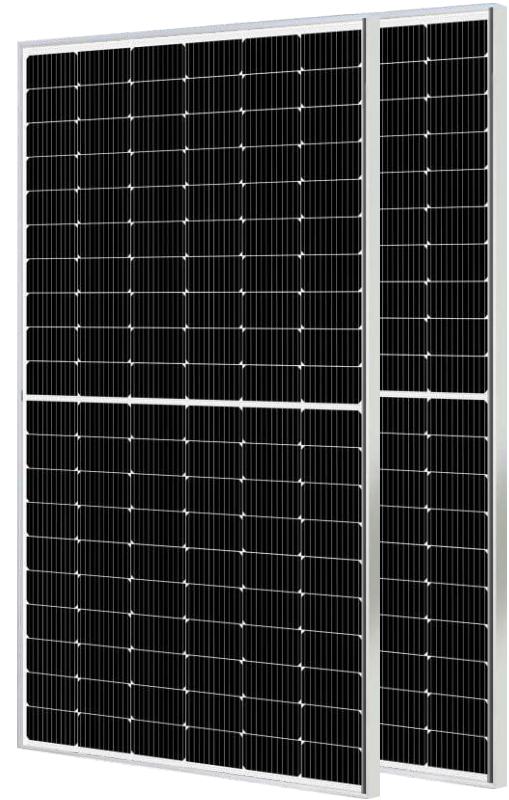
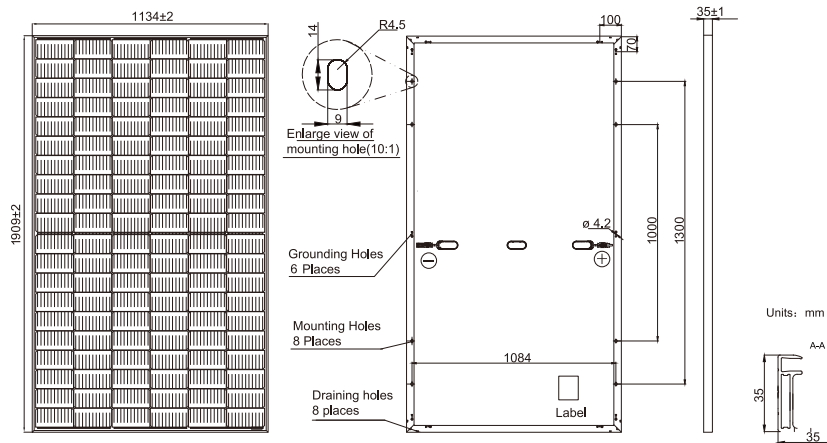


Mechanical Diagrams

Panel 360W

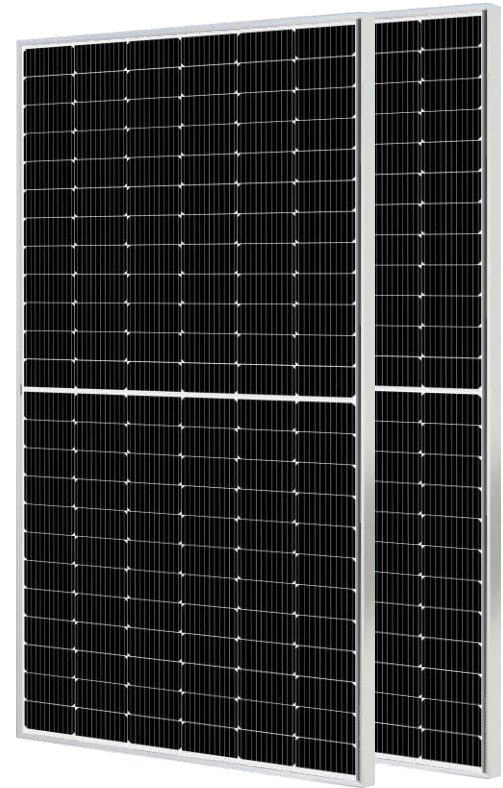
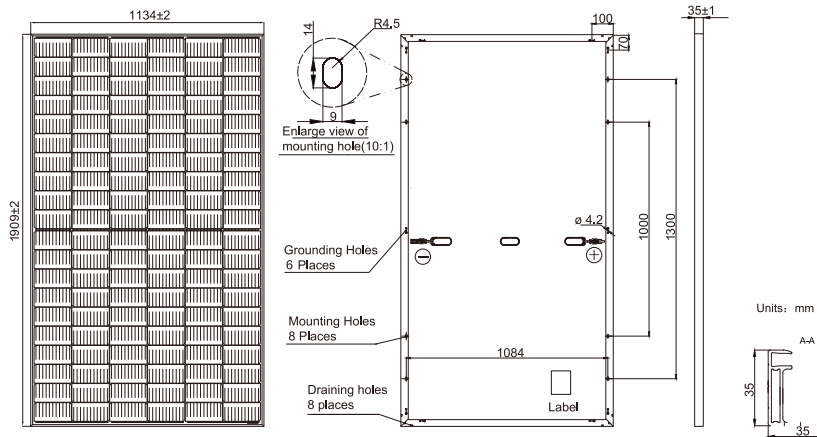
Mechanical Diagrams

Panel 310-380W



Mechanical Diagrams

Panel 430-450W



Mechanical Diagrams

Panel 525-550W

“Mission:

**Absorbing Sunshine
Focusing Energy**

Returning the earth to a clean place”

SOLARParts®
For Consumable Energies

Company: Shenzhen Solarparts Inc.

Shenzhen Puguang Solar Energy Co.,Ltd.

Address: the 4th Floor, A3 Building Xinlian Industrial
Park, Ping Xin North Road Pinghu Town
Shenzhen 518112 China.

Email address: info@isolarparts.com
Homepage: www.isolarparts.com