



AGT *INDUSTRIAL*

Product Catalogue

Yancheng Cross machinery manufacture Co., Ltd

2
0
2
3



Integrated Equipment Series



31.03.001.012.002

Model:AGT-YM-12

Excavator

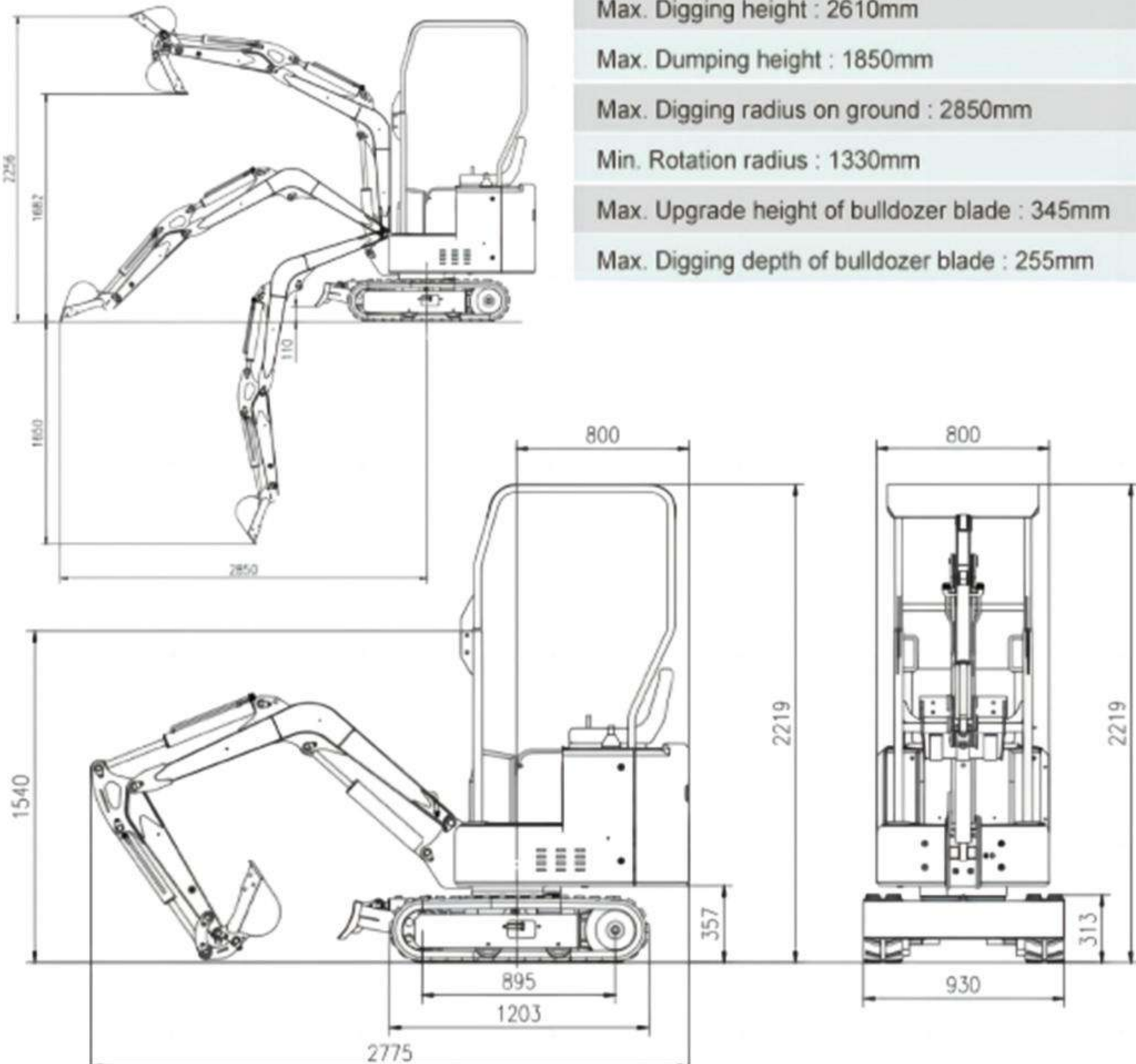


31.05.02.001

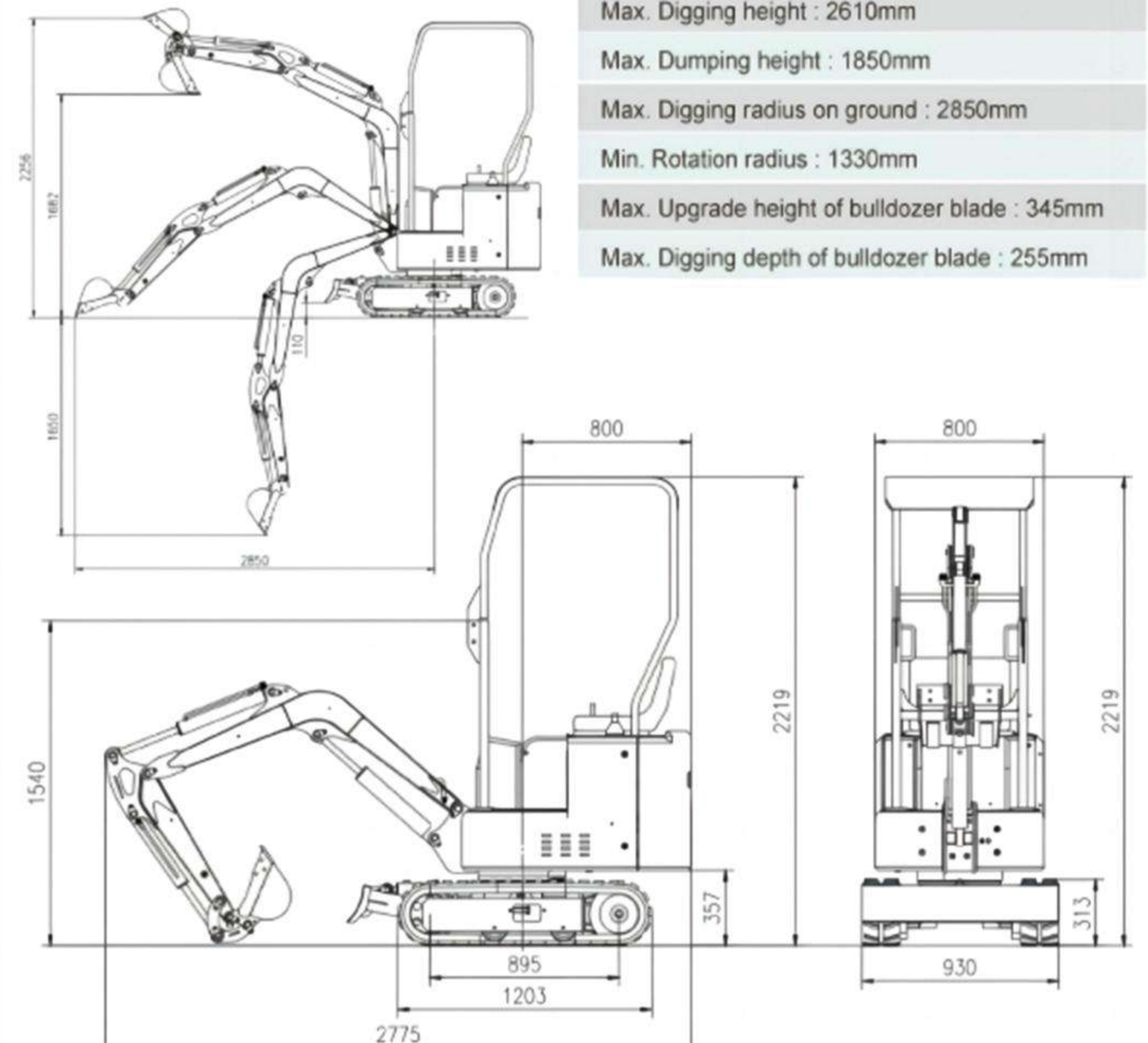
Model:AGT-H12

Excavator 12-Paragon with thumb clamp(H12)

Model:H12	Main Dimensions
Weight : 1000kg	Overall dimension(LxVxH) : 2775 x 930 x 2219 mm
Digging bucket capacity : 0.025cbm/120kg	Wheelbase : 930mm
Bucket width : 380mm	Total length of track : 1230mm
Engine : BRIGGS & STRATTON	Platform ground clearance : 380mm
Bore stroke : Single cylinder, fan cool	Platform back turning radius : 784mm
Rated power : 8.2 kw/3600r/min	Chassis width : 896mm
Main pump : Japan KDW5-6	Track width : 180mm
Main Valve : Italy	Chassis ground clearance : 132mm
Displacement : 6.8ml/r	Track height : 320mm
Swing motor : Italy JKRS-230	
Traveling motor : Italy JKM-225	
Travel speed : 1.5km/h	



Model:H12	Main Dimensions
Weight : 1000kg	Overall dimension(LxVxH) : 2775 x 930 x 2219 mm
Digging bucket capacity : 0.025cbm/120kg	Wheelbase : 930mm
Bucket width : 380mm	Total length of track : 1230mm
Engine : BRIGGS & STRATTON	Platform ground clearance : 380mm
Bore stroke : Single cylinder, fan cool	Platform back turning radius : 784mm
Rated power : 8.2 kw/3600r/min	Chassis width : 896mm
Main pump : Japan KDW5-6	Track width : 180mm
Main Valve : Italy	Chassis ground clearance : 132mm
Displacement : 6.8ml/r	Track height : 320mm
Swing motor : Italy JKRS-230	
Traveling motor : Italy JKM-225	
Travel speed : 1.5km/h	



Operating Range
Max. Digging depth : 1650 mm
Max. Vertical digging depth : 1375 mm
Max. Digging height : 2610mm
Max. Dumping height : 1850mm
Max. Digging radius on ground : 2850mm
Min. Rotation radius : 1330mm
Max. Upgrade height of bulldozer blade : 345mm
Max. Digging depth of bulldozer blade : 255mm

Operating Range
Max. Digging depth : 1650 mm
Max. Vertical digging depth : 1375 mm
Max. Digging height : 2610mm
Max. Dumping height : 1850mm
Max. Digging radius on ground : 2850mm
Min. Rotation radius : 1330mm
Max. Upgrade height of bulldozer blade : 345mm
Max. Digging depth of bulldozer blade : 255mm

Integrated Equipment Series



31.03.0101.030.004

Model:CFG-65UF

SWE60U (with EPA) -CFG65UF

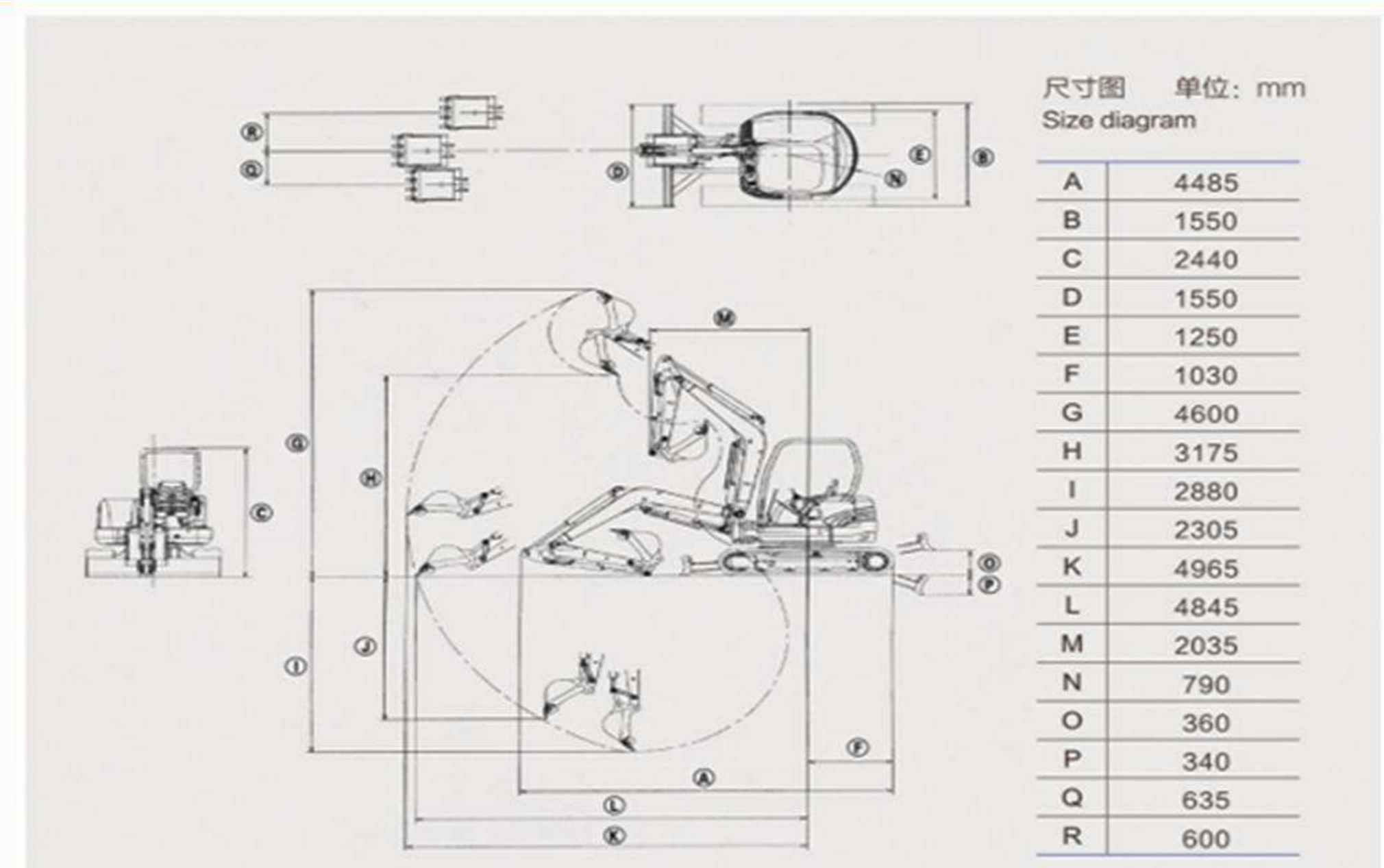


31.03.001.035.001

Model:AGT-R35

Mini excavator-3 tons-Kubota V1505-(R35)

Overall dimension (L × W × H)		mm	5500X1980X2550	
Dimensions	A	Length to center of rollers	mm 1965	
	B	Total track length	mm 2490	
	C	Ground clearance of platform	mm 640	
	D	Platform tail slewing radius	mm 1050	
	E	Chassis width	mm 1980	
	F	Track width	mm 400	
	G	Chassis clearance from the ground	mm 330	
	H	Track height	mm 575	
	I	Total length	mm 5500	
	J	Cab roof height	mm 2550	
	K	Upper-carriage width	mm 1845	
	Working range	a	Max. cutting height	mm 5610
		b	Max. unloading height	mm 3950
		c	Max. digging depth	mm 3710
d		Max. vertical digging depth	mm 3199	
e		Max. digging reach	mm 6235	
f		Max. digging reach at ground level	mm 6105	
g		Max. lift height of the dozer blade	mm 445	
h		Max. digging depth of the dozer blade	mm 400	
i		Swing radius (min.)	mm 2475	
Machine weight		Dozer blade length × width		mm 1960X390
Engine	with rubber track		kg 5700	
	with steel track		kg 5770	
	Standard bucket capacity		m ³ 0.18	
	Digging force (bucket) (ISO)		kN 46.8	
	Digging force (arm) (ISO)		kN 31.1	
	Maximum traction force		kN 49	
	Slew angle (boom)		° R50/L70	
	Traveling speed (Max/Min)		km/h 4.07/2.43	
	Gradeability		° 35	
	Ground pressure		kPa 33.87	
Primary pump	Swing speed		rpm 9.4	
	Brand		KUBOTA	
	Model		V2607-DI-T-ET21	
	Type		4-cylinder and 4-stroke water cooling	
	Displacement		L 2.615	
Primary pump	Power/speed (gross/net)		kW/rpm 36.5/2000 36/2000	
	Fuel tank capacity		L 70	
	Type		2 variable plunger pumps and 1 gear	
	Displacement		L/min 2x59+42	
Pressure of main relief valve		MPa 2x24.5+21		
Hydraulic tank capacity		L 70		



Whole machine size	Unit	Standard	Whole machine size	Unit	Standard
Overall length (transporting) A	mm	4485	Min. turning radius N at rear end	mm	790
Overall width (for transportation/operation) B	mm	1550	Maximum pushing height O	mm	360
Overall height (transporting) C	mm	2440	Maximum pushing depth P	mm	340
Width of shovel (retracted/extended) D	mm	1550	Horizontal left shift of bucket Q	mm	635
Height of shovel	mm	335	Horizontal right shift of bucket R	mm	600
Crawler center distance E	mm	1250	Performance parameters	Unit	Standard
Distance from rotation center to track end F	mm	1030	Overall machine weight	kg	3515
Standard track plate width	mm	300	Bucket capacity	m ³	0.09
Minimum ground clearance	mm	290	Engine Model		3TNV88-
Standard bucket width (with/without side teeth)	mm	520(470)	Displacement	L(cc)	1.64
Overall track length	mm	2100	Rated power	KW/rpm	20.5
Wheel spacing	mm	1665	Traveling speed(high/low)	KM/h	3.0/4.2
Operating range	Unit	Standard	Rotation speed	r/min	8.5
Max. digging height G		4600	Swing angle	(°)	70/50
Max. unloading height H	mm	3175	Climbing capacity	%	58(30)
Maximum digging depth I	mm	2880	Grounding ratio pressure	kpa	28(0.2)
Max. vertical boom digging depth J	mm	2305	Bucket digging force	KN	26.5
Maximum digging distance K	mm	4965	Fuel tank capacity	L	40
Maximum digging ground distance L	mm	4845			
Minimum turning radius at the front end M	mm	2035			

Integrated Equipment Series



31.03.0101.030.004

Model:CFG-65UF

CFG60U (with EPA) -CFG65UF

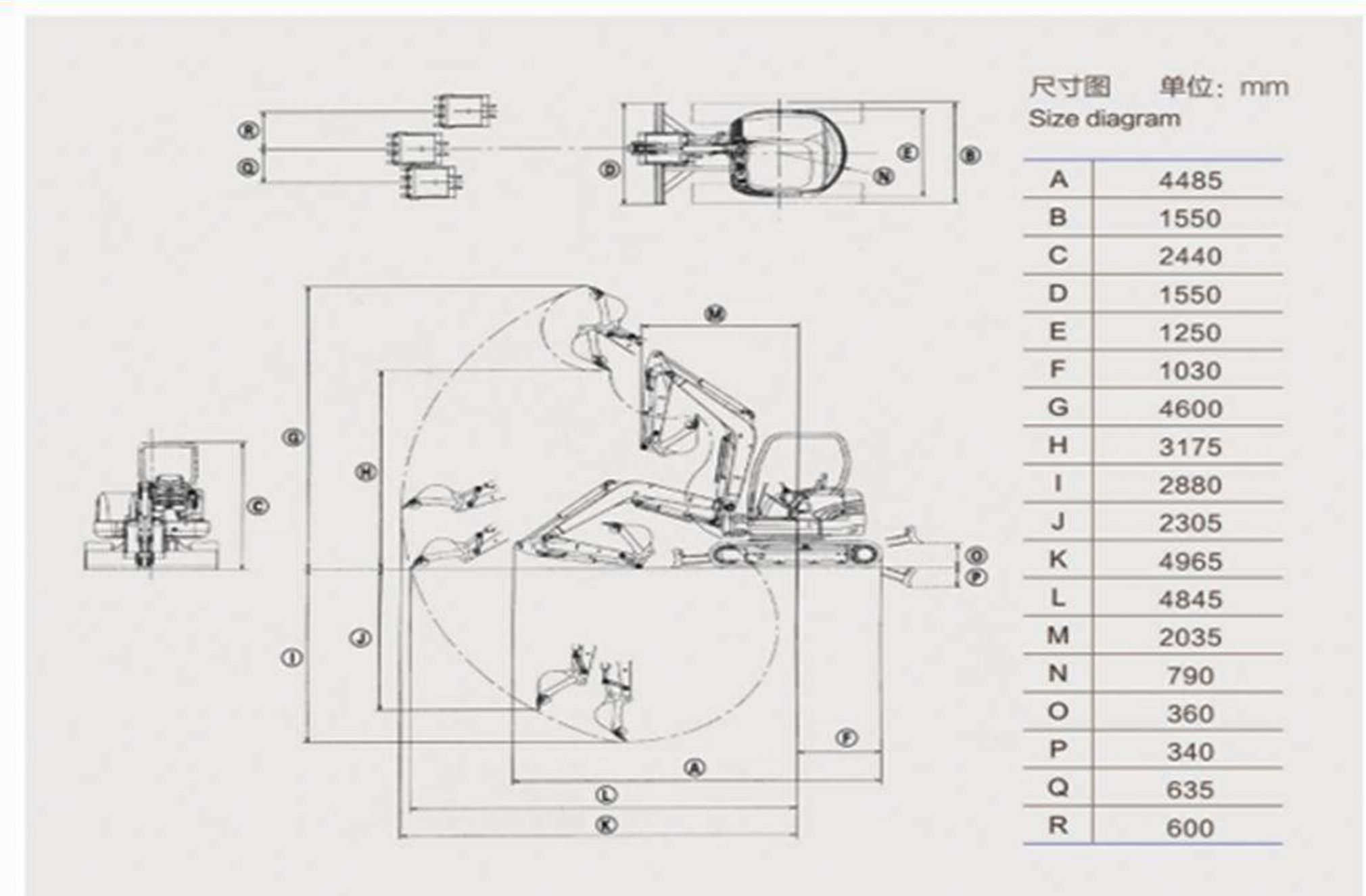


31.03.001.035.001

Model:AGT-R35

Mini excavator-3 tons-Kubota V1505-(R35)

Overall dimension (L × W × H)		mm	5500X1980X2550	
Dimensions	A	Length to center of rollers	mm 1965	
	B	Total track length	mm 2490	
	C	Ground clearance of platform	mm 640	
	D	Platform tail slewing radius	mm 1050	
	E	Chassis width	mm 1980	
	F	Track width	mm 400	
	G	Chassis clearance from the ground	mm 330	
	H	Track height	mm 575	
	I	Total length	mm 5500	
	J	Cab roof height	mm 2550	
	K	Upper-carriage width	mm 1845	
	Working range	a	Max. cutting height	mm 5610
		b	Max. unloading height	mm 3950
		c	Max. digging depth	mm 3710
d		Max. vertical digging depth	mm 3199	
e		Max. digging reach	mm 6235	
f		Max. digging reach at ground level	mm 6105	
g		Max. lift height of the dozer blade	mm 445	
h		Max. digging depth of the dozer blade	mm 400	
i		Swing radius (min.)	mm 2475	
Machine weight		Dozer blade length × width		mm 1960X390
Engine	with rubber track		kg 5700	
	with steel track		kg 5770	
	Standard bucket capacity		m ³ 0.18	
	Digging force (bucket) (ISO)		kN 46.8	
	Digging force (arm) (ISO)		kN 31.1	
	Maximum traction force		kN 49	
	Slew angle (boom)		° R50/L70	
	Traveling speed (Max/Min)		km/h 4.07/2.43	
	Gradeability		° 35	
	Ground pressure		kPa 33.87	
Primary pump	Swing speed		rpm 9.4	
	Brand		KUBOTA	
	Model		V2607-DI-T-ET21	
	Type		4-cylinder and 4-stroke water cooling	
	Displacement		L 2.615	
Primary pump	Power/speed (gross/net)		kW/rpm 36.5/2000 36/2000	
	Fuel tank capacity		L 70	
	Type		2 variable plunger pumps and 1 gear	
	Displacement		L/min 2x59+42	
Pressure of main relief valve		MPa 2x24.5+21		
Hydraulic tank capacity		L 70		



Whole machine size	Unit	Standard	Whole machine size	Unit	Standard
Overall length (transporting) A	mm	4485	Min. turning radius N at rear end	mm	790
Overall width (for transportation/operation) B	mm	1550	Maximum pushing height O	mm	360
Overall height (transporting) C	mm	2440	Maximum pushing depth P	mm	340
Width of shovel (retracted/extended) D	mm	1550	Horizontal left shift of bucket Q	mm	635
Height of shovel	mm	335	Horizontal right shift of bucket R	mm	600
Crawler center distance E	mm	1250	Performance parameters	Unit	Standard
Distance from rotation center to track end F	mm	1030	Overall machine weight	kg	3515
Standard track plate width	mm	300	Bucket capacity	m ³	0.09
Minimum ground clearance	mm	290	Engine Model		3TNV88-
Standard bucket width (with/without side teeth)	mm	520(470)	Displacement	L(cc)	1.64
Overall track length	mm	2100	Rated power	KW/rpm	20.5
Wheel spacing	mm	1665	Traveling speed(high/low)	KM/h	3.0/4.2
Operating range	Unit	Standard	Rotation speed	r/min	8.5
Max. digging height G		4600	Swing angle	(°)	70/50
Max. unloading height H	mm	3175	Climbing capacity	%	58(30)
Maximum digging depth I	mm	2880	Grounding ratio pressure	kpa	28(0.2)
Max. vertical boom digging depth J	mm	2305	Bucket digging force	KN	26.5
Maximum digging distance K	mm	4965	Fuel tank capacity	L	40
Maximum digging ground distance L	mm	4845			
Minimum turning radius at the front end M	mm	2035			

Integrated Equipment Series



31.03.001.060.001

Model:RSWG-60DA

RSWG-60DA Excavator



31.03.001.040.004

Model:CFG-40UF

CFG-40UF Excavator

Model	UOM	Parameters	Model	UOM	Parameters
Operating Weight	Kg	6010	External dimensions	mm	5860
Bucket capacity	m ³	0.23	total length	mm	1920
			Overall width	mm	2585
			total height	mm	1780
Engine			Turntable width	mm	1920
Engine Model	/	4TNV94L-BVXG	Total width of chassis	mm	400
Direct Injection	/	√	Track width	mm	1990
Four stroke	/	√	Wheelbase	mm	1500
Water cooling	/	√	track gauge	mm	700
Turbo	/	×	Counterweight ground clearance	mm	385
Number of cylinders	/	4	Minimum ground clearance bulldozer (width/height)	mm	1920*340
Rated power	kW/rpm	36.2/2100	Working range		
Maximum torque/speed	N.m/rpm	207.4/1000	Max. digging height	mm	5630
Displacement	L	3.054	Maximum unloading height	mm	3945
			Maximum digging depth	mm	3830
Main Performance			Maximum vertical digging depth	mm	2680
Walking speed	km/h	4.2/2.2	Max. digging radius	mm	6130
Rotary speed	r/min	10	Min. turning radius	mm	2460
Climbing capacity	°	35	Minimum tail radius of rotation	mm	1670
Grounding pressure	kPa	32.5	Max. lifting heights of bulldozers	mm	390
Bucket digging force	kN	48.3	Maximum digging depth of bulldozer	mm	560
Arm digging force	kN	32.5	Standard Features		
Maximum digging force	kN	50.5	Length of moving arm	mm	3000
			Bucket rod length	mm	1600
Hydraulic system			Bucket capacity	m ³	0.23
Main pump rated flow	L/min	151.2			
Work pressure	MPa	24.5	Optional		
Travel system pressure	MPa	22	Bucket capacity	m ³	0.09 Deep ditch bucket
Rotary system pressure	MPa	21		/	0.2 Reinforced bucket
Pilot system pressure	MPa	3.5	Accessories and others	/	Crushing hammer, mechanical quick changer, rubber track block
Oil capacity					
Fuel tank volume	L	110			
Hydraulic oil tank volume	L	85			
Engine oil capacity	L	12			

CFG40UF Technical Parameters				
Type of cab	Cabin/Canopy			
Bucket capacity, std.	m ³	0.11		
Bucket width	mm	520		
Machine weight	kg	3850/3750		
Dimensions	Overall length	mm	4890	
	Overall height	mm	2555	
	Overall width	mm	1700	
	Ground clearance	mm	270	
Engine	Brand	KUBOTA		
	Model	D1703-E4B-SWD-1		
	Displacement	L	1.647	
	Output	kW/rpm	18.2/2200	
Working ranges	Arm length	mm	1350 1550	
	Max cutting height	mm	4925 5045	
	Max loading height	mm	3400 3520	
	Max digging depth	mm	3120 3320	
	Max vertical wall digging depth	mm	2665 2860	
	Max digging reach	mm	5390 5575	
	Boom swing angle(left/right)	°	72/44	
	Front swing radius	mm	2265 2322	
	Tail swing radius	mm	850	
	Max digging force (Arm)	kN	19.8 18	
Max digging force (Bucket)	kN	31.8		
Track	Type	mm	Rubber track/steel track	
	Track Width	mm	300	
	Track Length	mm	2163	
Undercarriage	Length to center of Rollers	mm	1670	
	Lenhth to center of track	mm	1400	
	Travelling speed(High/Low)	km/h	4.0/2.3	
	Gradeability	°	30	
Swing speed	rpm	9.5		
Ground pressure	kPa	33.99		
Dozer size	Width	mm	1700	
	Height	mm	366	
	Lifting capacity(Height/Depth)	mm	337/376	
Hydraulic pumps	Type	1 variable plunger pump		
	Displacement	L/min	1*88	
	Hydraulic pressure	MPa	24.5	
Fuel tank capacity	L	40		
Hydraulic oil tank capacity	L	41		

Integrated Equipment Series



31.03.001.012.002

Model:AGT-L12

Excavator 12-Paragon with thumb clamp(12)

Overall dimensions	UNIT: MM
A Wheel track	770
B Overall length of track	1090
C Ground clearance of platform	380
D Ground clearance of platform tail	733
E Chassis width	940
F Crawler width	180
H Crawler height	320
I Transportation length	2650
J Overall height	1330

Work range	UNIT: MM
A Max. digging radius on ground	2400
B Max. digging depth	1650
C Max. digging height	2490
D Max. unloading height	1750
E Max. vertical digging depth	1320
F Min. swing radius	1190
G Max. lifting height of dozer blade	325
H Max. digging depth of dozer blade	175

Performance parameters	
Weight of complete machine kg	1000
Standard bucket capacity m ³	0.02
Rated power kw	8.6



31.03.001.030.002

Model:AGT-NT30

Mini Excavator-NT25-Kubota D1105-Diesel Engine (NT30)

1	Name	Crawler Excavator
2	Model	NT35
3	Bucket capacity	0.08m ³
4	Engine	Kubota1105,18.2kw
5	Walking speed	2.6Km/h
6	Rotation speed	10r/min
7	Total length	4080mm
8	Total width	1350mm
9	Total height	2200mm
10	Crawler length	1900mm
11	Crawler width	230mm
12	Body width	1060mm
13	Maximum Dig Height	3710mm
14	Maximum dump height	2480mm
15	Maximum dig depth	2250mm
16	Maximum dig radius	4020mm
17	Platform clearance to ground	458mm
18	swing angle	360°
19	Climbing gradient	30°



31.03.001.040.001

Model:AGT-NT45

Mini Excavator NT40-Kubota NT40 -Diesel engine (NT45)

1	Name	Crawler Excavator
2	Model	NT45
3	Bucket capacity	0.1m ³
4	Engine	Kubota1505,18.5kw
5	Walking speed	2.7Km/h
6	Rotation speed	10r/min
7	Total length	4180mm
8	Total width	1500mm
9	Total height	2200mm
10	Crawler length	2300mm
11	Crawler width	230mm
12	Body width	1350mm
13	Maximum Dig Height	3900mm
14	Maximum dump height	2600mm
15	Maximum dig depth	2500mm
16	Maximum dig radius	4040mm
17	Platform clearance to	458mm
18	swing angle	360°
19	Climbing gradient	30°



31.03.001.026.001

Model:RSWG-30U

RSWG-30U Excavator

Product Parameter	UOM	XE26U			
Operating Weight	Kg	2680	Oil capacity		
Bucket capacity	m ³	0.06	Fuel tank volume	L	33
			Hydraulic oil tank volume	L	22
Engine			Engine oil capacity	L	5.1
Engine Model	/	D1105			
Direct Injection	/	√	Hydraulic system		
Four stroke	/	√	Main pump rated flow	L/min	82.8
Water cooling	/	√	Work pressure	MPa	24.3
Number of cylinders	/	3	Travel system pressure	MPa	19
Rated power (GB/T 17692)	kW/rpm	3	Rotary system pressure	MPa	16.2
Maximum torque/speed	N.m/rpm	15.4/2400	Pilot system pressure	MPa	3.5
Displacement	L	70.3(1600r/min)			
		1.123			
Main Performance			Standard Features		
Walking speed	km/h	3.1/2	Boom length	mm	2090
Rotary speed	r/min	10	Bucket rod length	mm	1300
Climbing capacity	°	≤30	Bucket capacity	m ³	0.06
Grounding pressure	kPa	26.4			
Bucket digging force	kN	23			
Arm digging force	kN	14			
Maximum digging force	kN	29.7			



31.03.001.035.003

Model:RSWG-35U

RSWG-35U Excavator

Operating Weight	Kg	4200	Oil capacity		
Bucket capacity	m ³	0.12	Fuel tank volume	L	40
			Hydraulic oil tank volume	L	45
Engine			Engine oil capacity	L	7
Engine Model	/	3TNV88-B			
Direct Injection	/	√	Hydraulic system		
Four stroke	/	√	Main pump rated flow	L/min	108
Water cooling	/	√	Work pressure	MPa	24.5
Number of cylinders	/	3	Travel system pressure	MPa	22
Rated power	kw/rpm	22/2400	Rotary system pressure	MPa	16.7
Maximum torque/speed	N.m	106.4/1000	Pilot system pressure	MPa	3.9
Displacement	L	1.642			
Main Performance			Standard Features		
Walking speed	km/h	3.6/2.2	Boom length	mm	2560
Rotary speed	r/min	9	Bucket rod length	mm	1350
Climbing capacity	°	≤30	Bucket capacity	m ³	0.12
Grounding pressure	kPa	36.6			
Bucket digging force	kN	28.6			
Arm digging force	kN	20.3			
Maximum digging force	kN	31.6			



31.03.001.060.003

Model:RSWG-55U

RSWG-55U Excavator

Model	UOM	Parameters	Main Performance		Hydraulic system			
Operating Weight	Kg	5750	Walking speed	km/h	4.2/2.2	Main pump rated flow	L/min	150
Bucket capacity	m ³	0.21	Rotary speed	r/min	10	Work pressure	MPa	24.5
			Climbing capacity	°	35	Travel system pressure	MPa	22
Engine			Grounding pressure	kPa	31	Rotary system pressure	MPa	21
Engine Model	/	V2607	Bucket digging force	kN	48.3	Pilot system pressure	MPa	3.5
Direct Injection	/	√	Arm digging force	kN	32.5			
Four stroke	/	√	Maximum digging force	kN	50.5			
Water cooling	/	√	Oil capacity					
Turbo	/	×	Fuel tank volume	L	110			
Number of cylinders	/	4	Hydraulic oil tank volume	L	77			
Rated power	kw/rpm	35/2200	Engine oil capacity	L	9			
Maximum torque/speed	N.m/rpm	171.5/1300						
Displacement	L	2.615						

Integrated Equipment Series



Model:RSWG-45-C

RSWG-45-C Excavator



Model:CFG-08B

CFG-08B Excavator



Model:CFG-18U

CFG-18U Excavator

Dimensions

Over length	4 960mm (16'3")
Tail slew radius	870mm (34")
Tumbler length	1 721mm (5'8")
Track length	2 200mm (7'3")
Dozer blade, maximum reach at ground level	1 590mm (5'3")
Undercarriage length	2 690mm (8'10")
Dozer blade height	367mm (14")
Overall width	1 740mm (5'9")
Track gauge	1 440mm (4'9")
Minimum ground clearance	297mm (12")
Track height	531mm (21")
Ground clearance of counterweight	587mm (23")
Over all height of tank hood	1 590mm (5'3")
Overall height	2 535mm (8'4")
Track shoe width	300mm (12")
Working width at maximum right-hand rotation	2 005mm (6'7")
Working width at maximum left-hand rotation	1 728mm (5'8")
Maximum boom offset to the right	770mm (30")
Maximum boom offset to the left	580mm (23")
Maximum boom swing angle to the left	75°
Maximum boom swing angle to the right	50°

Engine		Unit	CFG08B	CFG18UF
Working weight		kg	1010	1880
Bucket capacity		m³	0.022	0.04
Engine	Brand		YANMAR	YANMAR
	Model		2TNV70-PSU	3TNV80-SSSU
	Rated output power	kW/rpm	7.2/2400	13.4/2200
Dimensional Parameters	Transport length	mm	2640	3582
	Transport height	mm	2250	2350
	Total width	mm	750/1000	990/1320
	Counterweight height from the ground	mm	419	463
	Minimum ground clearance height	mm	131	160
	Tail turning radius	mm	750	680
	Crawler ground length	mm	975	1210
	Track length	mm	1299	1538
	Track gauge	mm	570/820	760/1090
	Track width	mm	180	990/1320
	Track plate width	mm	180	230
	Cab height	mm	2250	1574
	Turntable width	mm	740	980
	Operating range	Max digging height	mm	3085
Max discharge height		mm	2305	2430
Max digging depth		mm	1825	2210
Maximum vertical digging depth		mm	1440	1550
Max digging radius		mm	3180	3940
Max digging radius at ground level		mm	3085	3850
Min. turning radius		mm	1221	1710
Length of moving arm		mm	1350	1800
Bucket rod length		mm	700	950
Bucket rod digging force		kN	5.8	11.24
Bucket digging force	kN	9.4	22.7	
Travel speed (high/low)	km/h	2.9/1.5	3.6/2.1	
Rotation speed	rpm	8.2	10	
Fuel tank capacity	L	10	24.6	
Hydraulic oil tank capacity	L	9.5	18.6	



31.03.001.018.006

Model:AGT-H18

Excavator 18-Kubota D722(H18)

Dimension(LxWxH): 90"×49"×90"
 Weight: 2425 08 lbs
 Digging Bucket Capacity: 0.045 cbm/440.92 lbs
 Digging Bucket Width: 16.54 in Can Add
 Narrow Bucket is 7.87 in
 Engine: Kubota engine D722 model
 Rated Power: 10kw/2200r/min
 Displacement: 0.854 L
 Bore Stroke: Three Cylinder Water Cool
 Main Pump: KDK
 Valve: PERMCO
 Displacement: 6.8 ml/r
 Swing Motor: EATON
 Traveling Motor: KOREA DONGHYUN
 Hydraulic And Liquid Capacity
 Pump Type: Gear Pump
 Pipping Depth: 72.83"
 Pressure: 16 Mpa



31.03.001.012.002

Model:AGT-QH12

Excavator 12-Paritone with thumb clamp(QH12)

Operation Weight: 1 ton
 Engine: B&S
 HP: 13.5
 Capacity of bucket: 0.03 m3
 Max Digging Depth: 65"
 Max Digging Height: 94.5"
 Max Digging Distance: 118"
 Min Rotation Radius: 63.2"
 Max Angle of Climb: 30°
 Max Load Height: 65.7"



31.03.001.012.007

Model:AGT-KAT12

Excavator 12-Paragon (KAT12)

Operation Weight: 1 ton
 Engine: B&S
 HP: 13.5
 Capacity of bucket: 0.03 m3
 Max Digging Depth: 65"
 Max Digging Height: 94.5"
 Max Digging Distance: 118"
 Min Rotation Radius: 63.2"
 Max Angle of Climb: 30°
 Max Load Height: 65.7"

Integrated Equipment Series



31.03.001.060.001

RSWG-80DA Excavator

Model:RSWG-80DA



CFG-80E9 Excavator

Model:CFG-80E9



RSWG-35-C Excavator

Model:RSWG-35-C

Model	UOM	XE80DA
Operating Weight	Kg	7730
Bucket capacity	m ³	0.35
Engine		
Engine Model	/	4TNV98-ZCSXG
Direct Injection	/	√
Four stroke	/	√
Water cooling	/	√
Turbo	/	/
Number of cylinders	/	4
Rated power (GB/T 17692)	kW/rpm	46.3/2200
Maximum torque/speed	N.m/rpm	225.7-245.8/1650
Displacement	L	3.319
Main Performance		
Walking speed	km/h	5.0/2.7
Rotary speed	r/min	11
Climbing capacity	°	35
Grounding pressure	kPa	34.85
Bucket digging force	kN	57
Arm digging force	kN	38
Maximum digging force	kN	68.3

Dimensions

Overall length	4 190 mm (13'9")
Overall width	1 500 mm (4'11")
Overall height	2 580 mm (8'6")
Width of platform	1 350 mm (4'5")
Length of crawler	1 980 mm (6'6")
Width of chassis	1 500 mm (4'11")
Width of crawler	300 mm (12")
Distance between tumbler	1 560 mm (5'1")
Track gauge	1 200 mm (3'11")
Counterweight clearance	535 mm (21")
Minimum ground clearance	290 mm (11")
Minimum tail swing radius	790 mm (31")
Track height	457 mm (18")



31.03.001.012.003

Excavator FOR Electric

Model:AGT-E-EXCA-12

Machine Weight: 1807.79 lbs
Working Device Form: Backhoe
Battery Voltage: 72V
Battery Weight: 220.46 lbs
Whether To support Fast Charge: YES
Battery Full Charge Time: 8H/4H/1H
Driving Speed (High And Low Speed): 0km/h-6km/h
Power Consumption Per Hour: 1 kWh Per Hour
Decibels Within 1 Meter: <60 dBA

Bucket Capacity: 0.025m³
Power Mode: Lithium Battery
Battery Capacity: 126 Ah
Theoretical Working Hours: >15H
Engine Power: 4KW



31.03.001.018.002

Excavator FOR KUBOTA Engine

Model:AGT-YM-18

Dimension(LxWxH): 90"x49"x90"
Weight: 2425.08 lbs
Digging Bucket Capacity: 0.045 cbm/440.92 lbs
Digging Bucket Width: 16.54 in Can Add
Narrow Bucket is 7.87 in
Engine: Kubota engine D722 model
Rated Power: 10kw/2200r/min
Displacement: 0.854 L
Bore Stroke: Three Cylinder Water Cool
Main Pump: KDK

Valve: PERMCO
Displacement: 6.8 ml/r
Swing Motor: EATON
Traveling Motor: KOREA DONGHYUN
Hydraulic And Liquid Capacity
Pump Type: Gear Pump
Pigging Depth: 72.83"
Pressure: 16 Mpa



31.03.001.012.001

Excavator 12-Paragon with thumb clamp(H12)
-Kopper Diesel Power

Model:AGT-H12-KPD

Operation Weight: 1 ton
Engine: Kopper
HP: 13.5
Capacity of bucket: 0.03 m³
Max Digging Depth: 65"
Max Digging Height: 94.5"

Max Digging Distance: 118"
Min Rotation Radius: 63.2"
Max Angle of Climb: 30"
Max Load Height: 65.7"

Integrated Equipment Series



Model:CFG-25UF

CFG-25UF Excavator



Model:CFG-35UF

CFG-35UF Excavator



Model:CFG-70E

CFG-70E Excavator

Engine		Unit	CFG18UF	CFG25UF	CFG70E	CFG80E9
Working weight		kg	1880	2650	6560	7680
Bucket capacity		m ³	0.04	0.08	0.26	0.3
Engine	Brand		YANMAR	YANMAR	YANMAR	YANMAR
	Model		3TNV80-SSSU	3TNV80-SPSU	4TNV98-ZC55UC	4TNV98-ZC55UC
	Rated output power	kW/rpm	13.4/2200	14.6/2400	46.3/2200	46.3/2200
Dimensional Parameters	Transport length	mm	3582	4140	5910	6140
	Transport height	mm	2350	2455	2625	2650
	Total width	mm	990/1320	1500	2080	2270
	Counterweight height from the ground	mm	463	525	700	820
	Minimum ground clearance height	mm	160	310	340	400
	Tail turning radius	mm	680	765	1580	1800
	Crawler ground length	mm	1210	1560	2240	2270
	Track length	mm	1538	1990	2760	2900
	Track gauge	mm	760/1090	1200	1680	1800
	Track width	mm	990/1320	1500	2080	2250
	Track plate width	mm	230	300	400	450
	Cab height	mm	1574	1672	2625	2650
	Turntable width	mm	980	1450	2080	2130
Operating range	Max digging height	mm	3460	4355	6020	7280
	Max discharge height	mm	2430	3010	4200	5240
	Max digging depth	mm	2210	2840	4015	4000
	Maximum vertical digging depth	mm	1550	2580	2840	3290
	Max digging radius	mm	3940	4775	6225	6440
	Max digging radius at ground level	mm	3850	4670	6085	6265
	Min. turning radius	mm	1710	1980	2305	1780
Length of moving arm		mm	1800	2050	3150	3720
Bucket rod length		mm	950	1350	1610	1680
Bucket rod digging force		kN	11.24	14	31	37
Bucket digging force		kN	22.7	24	50	54
Travel speed (high/low)		km/h	3.6/2.1	4.4/2.6	4.0/2.3	4.2/2.2
Rotation speed		rpm	10	8.8	9	11
Fuel tank capacity		L	24.6	26	118	145
Hydraulic oil tank capacity		L	18.6	24	96	90

Integrated Equipment Series



Model:CFG-25UF

CFG-25UF Excavator



Model:CFG-35UF

CFG-35UF Excavator



31.03.0101.030.005

Model:CFG-60E

CFG-60E Excavator

Engine		Unit	CFG25UF	CFG35UF	CFG60E
Working weight		kg	2650	3850	6000
Bucket capacity		m ³	0.08	0.11	0.22
Engine	Brand		YANMAR	KUBOTA	YANMAR
	Model		3TNV80-SPSU	D1803	4TNV94L-BVSUC
	Rated output power	kW/rpm	14.6/2400	23.4/2300	36.2/2100
Dimensional Parameters	Transport length	mm	4140	4890	5875
	Transport height	mm	2455	2555	2615
	Total width	mm	1500	1700	1900
	Counterweight height from the ground	mm	525	570	700
	Minimum ground clearance height	mm	310	270	320
	Tail turning radius	mm	765	850	1600
	Crawler ground length	mm	1560	1670	1965
	Track length	mm	1990	2163	2495
	Track gauge	mm	1200	1400	1480
	Track width	mm	1500	1700	1880
	Track plate width	mm	300	300	400
	Cab height	mm	1672	1653	2615
	Tumtable width	mm	1450	1505	1900
	Operating range	Max digging height	mm	4355	4925
Max discharge height		mm	3010	3400	4160
Max digging depth		mm	2840	3120	3730
Maximum vertical digging depth		mm	2580	2665	2800
Max digging radius		mm	4775	5390	6175
Max digging radius at ground level		mm	4670	5260	6030
Min. turning radius		mm	1980	2265	2410
Length of moving arm		mm	2050	2550	3000
Bucket rod length		mm	1350	1350	1600
Bucket rod digging force		kN	14	19.8	31
Bucket digging force		kN	24	31.4	47
Travel speed (high/low)		km/h	4.4/2.6	4.0/2.3	4.07/2.43
Rotation speed		rpm	8.8	9.5	9.4
Fuel tank capacity		L	26	40	113
Hydraulic oil tank capacity		L	24	41	96

Integrated Equipment Series



31.03.002.015

Model:AGT-MS23-W

MINI SKID STEER 23W

Performance	Rated Loading Capacity	kg	200
	Bucket Capacity	m ³	0.15
	Maximum Lift	kg	375
	Speed of Work	km/h	0-6
	Preset Pressure	Mpa	17
	Lifting Time	s	4.3
	Falling Time	s	3.3
	Tipping Time	s	1.5
	Gradeability	%	30
	Working Weight	kg	890
Engine	Brand	Briggs & Stratton	
	Model	3864	
	Type	gasoline engine	
	Output Power	17.1KW(23HP)/3600rpm	
	Fuel Consumption	L/H	≤6.7
Capacity	Start Method	Electric start	
	Fuel Tank	L	25
	Engine Oil	L	1.7
	Hydraulic Tank	L	25



31.03.002.002

Model:AGT-JK35

MINI SKID STEER JK35

No.	configuration	Specification	
1	engine	Kubota	engine: Kubota
2	Main pump	Lufthansa liquid-operated pumps	Main pump: Lufthansa liquid-operated pumps
3	motor	Wyatt Motors	motor: Wyatt Motors
4	gear pump	Lufthansa	gear pump: Lufthansa
5	cylinder	Boom cylinder: 50/32—540—935 Tipper cylinder: 63/35-375-665	cylinder: Boom cylinder: 50/32—540—935 Tipper cylinder: 63/35-375-665
6	Multi-way valve	DCV40/3-0101	Multi-way valve: DCV40/3-0101
7	pilot valve	Eaton handle	pilot valve: Eaton handle
8	Large Flow		Large Flow:
9	cab	Open cabs	cab: Open cabs
10	hydraulic leveling	Taig leveling valve	hydraulic leveling: Taig leveling valve
11	tire	560-155 solid tire	tire: 560-155 solid tire
12	bucket	BD44-000000	bucket: BD44-000000
13	braking method	External disc brake	braking method: External disc brake
14	color match	TBD	color match: TBD
15	heat sink	BH1152	heat sink: BH1152
16	air filter	KYG-4BJH	air filter: KYG-4BJH
17	electrical appliance	Require the wire flat, sheath wrapped as tightly as possible, the wire harness fixed in a hidden location, the installation of external aviation connector	electrical appliance: Require the wire flat, sheath wrapped as tightly as possible, the wire harness fixed in a hidden location, the installation of external aviation connector
18	random tools	Overall Toolbox	random tools: Overall Toolbox
19	applique	JK35+Custom LOGO	applique: JK35+Custom LOGO
20	Remark	Fenced bumper with high-gloss paint	Remark: Fenced bumper with high-gloss paint



31.03.002.004

Model:AGT-TL80

MINI SKID STEER-TL80



31.03.002.003

Model:AGT-TL65

MINI SKID STEER-TL65



31.03.002.065

Model:AGT-CBT23

MINI SKID STEER CBT23

Integrated Equipment Series



31.03.002.067

Model:AGT-CKT27

MINI SKID STEER CKT27



31.03.002.066

Model:AGT-CRT23

MINI SKID STEER CRT23



31.03.002.069

Model:AGT-CRT36

MINI SKID STEER CRT36



31.03.002.005

Model:AGT-TC80

MINI SKID STEER TC80



30.77.01.001

Model:AGT-MS23

MINI SKID STEER 23 (AGT-MS23)

Weight : 2314.8 lbs
Measurement: 68.9*32.7*55.1in



31.03.002.070

Model:AGT-MS27

MINI SKID STEER 27

configuration	Specification
engine	Foton Cummins
Main pump	Rexroth hydraulic control pump
motor	Rexroth
gear pump	Rexroth Duplex
cylinder	Boom cylinder: 80/45-680-1095 Tipper cylinder: 80/45-365-660
Multi-way valve	Haskell: 9610-C87
pilot valve	Eaton handle
Large Flow	Multiport Valve self contained
cab	JC65C Changlin cab, plastic interior, Heating and air conditioning
hydraulic leveling	Taig leveling valve
tire	320*45 Rubber tracks
bucket	FD74
braking method	Motor self contained: Faster quick-change coupling
color match	TBD
heat sink	Kohler-type radiator
air filter	Donaldson
electrical appliance	Require the wire flat, sheath wrapped as tightly as possible, the wire harness fixed in a hidden location, the installation of external aviation connector
random tools	Overall Toolbox
applique	TC80+Warning labels
Remark	Fenced bumper with high-gloss paint



Model:AGT-CPD35

CPD35-NI/NF battery forklift

Rated load:3500kg
load center distance:500mm
Maximum Lifting Height:3000
free lift height:1500mm
Fork size:5XEXL:1070X125X50mm
Mast inclination (front/rear):6/10deg
overall length(to fork back):2520mm
overall width:1238mm
Height when the mast does not rise:2180mm
Overall height when the mast is raised
safety frame height:4210mm
Minimum turning radius:2270mm
Front suspension:463mm
Wheel base (front wheel):1000mm
Wheel base (rear wheel):950mm
Minimum ground clearance:125mm
wheel base:1685mm
Fork spacing:250/1100mm
Maximum climbing speed (full load):11%
Weight:5160kg
Tires (Front Wheels):28X9-15-14PR
Tires (rear wheels):18X7-8-14PR
Motor (walking):11kw
Motor (lifting):5kw
controller:inmotion
Storage battery:48/700 (VM)



Model:AGT-CBD15-E1C2

Electric Pallet Trucks

Model: CBD15-E1C2
Drive Mode: Electric
Operation Method: manual
Load Center: 60c(mm)
Front Exposure Distance: oux (mm)
Wheelbase: 1262y (mm)
Weight (including battery): 193/200kg
Tire Type: Polyurethane
Drive Wheel Size: 210x70w(mm)
Bearing Wheel Size: 80x60xw(mm)
Number of Wheels, Front/rear (X=drive Wheels): a/1x
Wheel Base, Load End: 410/s35 b11(mm)
lifting height: 200 h3 (mm)
Operating Position Handle Lever
Min/Max High Wall: 612/1195 h14(mm)
Fork minimum height: 8s h13(mm)
vehicle length: 1628 l1 (mm)
Vehicle width: 560/685 b1/ b2 (mm)
Fork outer width: 560/685 b5(mm)
Body length: 478 l12(mm)

Skid Steers & Attachments



30.34.07.001

Model:SSBX42S

Skid Steer Wood Chipper
Model SSBX42
Fits 18-50 HP Skid Steers
Rotor Size 21"
Recommended Material Size 5" dia. (max.)
Working Pressure (MPa) 17



30.35.12.004

Model:SSBGS060

Skid Steer Double scraper grader
Scraper Working Length:60 3/64"
Number Of Scrapers: 2pcs
Scraper Angle: 11.5°
Weight:552 lbs
Product Size: 65"*62"*20"



30.25.08.001

Model:SPA84

Skid Steer Bulldozer
Width: 84"
Power Required: 30-60 HP
Angle: 28.5°
Blade: 1/8"
Cutting Edge: 7/16"
Heavy duty adjustable skid shoes
Universal skid steer quick mount



30.45.01.003

Model:ECSSTR072

Skid Steer Rotary Tiller
Model ECSSTR072
Working Width 70.86"
Total Width 74.80"
Working Depth 7.08"
Blade(PCS) 32
Hydraulic Motor BM5-400 Square
4-hole output shaft 6-φ30*φ26
N.Weight 645.95 lbs
Measurement 84.64"x31.49"x19.29"
Working Pressure (MPa) 32-60
Flow 22.45GPM



30.26.01.004

Model:GB66-SS

Skid Steer Grapple bucket
Model: GB66-SS
Width 68"
Height with teeth Closed 28.19"
Maximum Height with teeth open 47.61"
Maximum opening 40.36"
3000# Hydraulic Cylinder (QTY) 2
Steel Construction of Upper Teeth Hi-strength



30.08.05.06.006

Model:SSEFGC165

Skid Steer flail mower
Model: SSEFGC165
Working Width (MM): 1600
Cutting Height(MM): 0-50
Blades(PCS): 28
Working Pressure (MPa): 17
Flow(l/min): 45-60



30.08.05.04.005

Model:SSEFGC175

Skid Steer flail mower
Total width: 71"
Working width: 67"
Cutting capacity: up to 2"
Hydraulic flow: 11~15 GPM
Working Pressure (MPa): 17
Number of Knives: 28



30.08.02.05.010

Model:SSRC72

Skid Steer Brush Cutter
Model RC72
Working Width 67.91"
Cutting Height 1.57"
Blade(PCS) 2
Weight 780.43lbs
Measurement 77.95" x 74.80" x 18.50"
Working Pressure(MPa) 17
Flow(L/min) 45-60



30.08.02.05.011

Model:SSRC72A-2

Skid Steer Brush Cutter
Model RC72
Working Width 67.91"
Cutting Height 1.57"
Blade(PCS) 2
Weight 780.43lbs
Measurement 77.95" x 74.80" x 18.50"
Working Pressure(MPa) 17
Flow(L/min) 45-60

Skid Steers & Attachments



30.08.23.04.001

Model:HDRC72

Skid Steer heavy duty Brush Cutter

Model HDRC72
Working Width 68.89"
Cutting Height 1.57"
Blade(PCS) 3
Weight 1433lbs
Measurement 86.61" x 76.77" x 22.83"
Working Pressure(MPa) 35
Flow(L/min) 75-260



30.08.02.07.001

Model:HFRC

Skid Steer heavy duty Brush Cutter

5-10" cutting capacity.
1/4" deck with sides reinforced with 3/8" AR400.
Piston Motor direct Drive.
4x bi-directional blades made with 5/8" AR400.
1/2" double round blade holder.
Mulching Teeth Standard on all Severe Cutters.



30.08.10.01.001

Model:HCRC

Skid Steer heavy duty Brush Cutter

Cut Width :74 in
Cutting Capacity:12 in
Minimum Cut Height:2 in
Drive Motor:Piston Motor
Mounting Type:Universal Skid Steer Plate
Optimal Operating RPM :1500-1700



30.08.02.06.001

Model:BDRC48

Skid Steer Front Mount Cutter-Adjustable

Overall Size: L134" x W57" x H21"
Cutting Width: 48"
Max. Cutting Capacity: 4"
Min. Cutting Height: 2"
Quantity Of Blades: 2
Flow : 12-16 gpm
Max Pressure: 3050 psi
Package Weight: 881.8 lbs



30.50.01.001

Model:SSVR72

Hydraulic Skid Steer Vibratory Roller

Dimension(LxVxH) : 85 x 32 x 38 in
Weight : 1620.39 lbs
Drum Diameter: φ23.4
Dynamic Force: 37 KN
Pressure : 6-21 Mpa
Flow : 16 GPM



30.56.02.001

Model:ECSSCT72

Chain Trencher

Model: ECSSCT72
Flow (L/min): 45-75
Digging Depths: 47.24"
Trench Widths: 5.11"
Working Pressure (MPa): 15
Measurement: 78" x 51" x 23"
Weight: 892.87 lbs

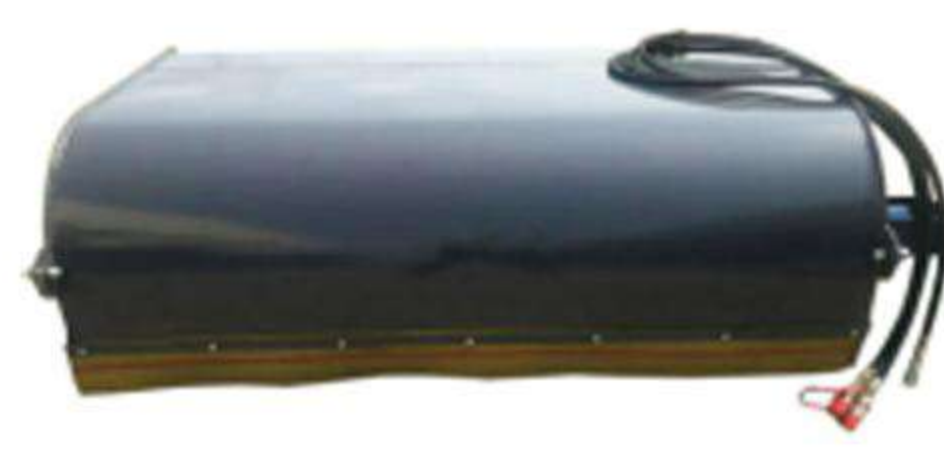


30.55.01.001

Model:SSCM53

Hydraulic Skid Steer Concrete Mixer/Bucket mixer

Model SSCM53
Maximum volume 0.4m³
Stirring speed (r/min) 30
Pressure 20Mpa
Flow 11-15GPM
Weight 772lbs
Length * width * height 850*720*1580mm



30.53.01.001

Model:SSBM72

Hydraulic Skid Steer Broom

Working width: 72"
Number of wafers: 41
Wafer diameter: 22"
Core diameter: 6.5"
Bucket capacity: 0.6 cubic yard
Power required: 45-75 HP
Hydraulic flow: Min. 10 GPM to Max 25 GPM



30.54.01.001

Model:SSAB72

Angel Broom

Working Width: 72"
Number Of Wafers: 41
Brush Diameter: 27"
Core Diameter: 8"
Sweeping Width At 30° Angle: 63"
Maximum Angle (left And Right): +/-30°
Hydraulic Flow: Min. 10 Gpm To Max 25 Gpm
Do Not Use High-flow

Skid Steers & Attachments



30.33.03.001

Model:SSECAG-Y

Hydraulic Skid Steer Auger

Flow Rating: 5-17 GPM
Max Pressure: 2250 PSI
Drilling Depth: 48"
Overall Length: 80"
Mount Type: Universal
Mounting Plate Height: 20"
Mounting Plate Width: 48"



30.33.03.001

Model:SSECAG-Y

Hydraulic Skid Steer Auger

Flow Rating: 5-17 GPM
Max Pressure: 2250 PSI
Drilling Depth: 48"
Overall Length: 80"
Mount Type: Universal
Mounting Plate Height: 20"
Mounting Plate Width: 48"



30.33.03.003

Model:SSECAG-Y

Hydraulic Skid Steer Auger

Drill Bits: 6" 12" 14"
Working Pressure (MPa): 14
Flow (L/min): 32-45
N.Weight: 489.42 lbs
Measurement: 49.21" x 31.49" x 23.62"



30.24.01.001

Model:BH01

Bale Hugger

Round bale handler with universal skid steer mounts. Constructed of pipe to minimize the risk of puncturing your wrapped bales. It handles bales with a diameter of 4' to 5' and features a single 2.5" cylinder to provide the strength needed to handle wet bales.



30.49.01.002

Model:SSHH-680A

Skid Steer Hydraulic Hammer

Operating weight: 550 lbs
Working pressure: 1600-2500 psi (110-140 bar)
Working flow: 9.5-16 GPM (36-60 L/min)
Impact rate 500-900 BPM Impact energy 600 joule
Chisel diameter: 2.7" (68mm)
Hydraulic hose diameter: 1/2"
Ear spacing - inside: 10.2" (258mm)
Ear spacing - outside: 11.4" (290mm)
Pin center to center: 8.8" (224mm)



30.49.02.002

Model:SSHH-750A

Skid Steer Hydraulic Hammer

Working weight: 1000 lbs
Working pressure: 1700-2500 psi (120-170 bar)
Working flow: 13-24 GPM (50-90 L/min)
Impact rate 500-800 BPM Impact energy 785 joule
Chisel diameter: 3" (75mm)
Hydraulic hose diameter: 1/2"



30.49.03.001

Model:PD680-PZ

Skid Steer Hydraulic Hammer

Operating weight: 1100 lbs
Energy Class: 680 ft.-lbs
Oil Flow: 9.5-16 gpm
Working Pressure: 1600-2000 psi
Chisel Shaft Diameter: 2.7"
Blow rate: 500-900 bpm
Domed cup inside diameter: 8"
Hydraulic hose diameter: 1/2"



30.49.04.001

Model:PD750-PZ

Skid Steer Hydraulic Hammer

Operating weight: 1100 lbs
Energy Class: 680 ft.-lbs
Oil Flow: 9.5-16 gpm
Working Pressure: 1600-2000 psi
Chisel Shaft Diameter: 2.9"
Blow rate: 500-900 bpm
Domed cup inside diameter: 8"
Hydraulic hose diameter: 1/2"
Packaging size: 56.7" x 53.54" x 31.5"
Shipping weight: 1146.4 lbs



30.57.01.001

Model:SSSCR72

Skid Steer Soil conditioner

Overall Width : 75in
Working Width: 72in
Balde : 76 pcs
Flow range: 18-23 GPM
Flow pressure: 2900 psi
Drive direction: forward/reverse

Skid Steers & Attachments

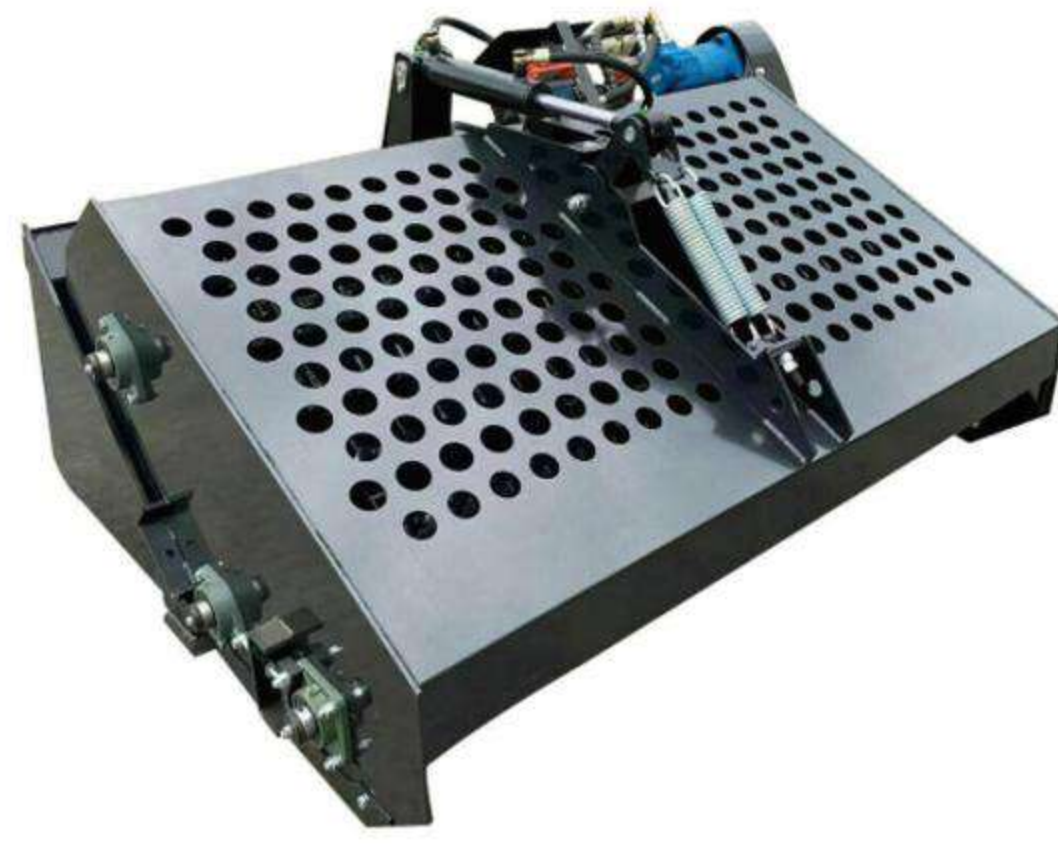


30.58.01.002

Model:ECSSSTG200

Skid Steer Stump Grinder

Above Ground Grinding Height: 21.5"
Below Ground Grinding Height: 19"
Cutting Teeth: 16
Cutting Wheel Diameter: 24"
Cutting Wheel Thickness: 3/4"
Cutting Wheel Speed: 1,100-1,350 RPM
Hydraulic Flow: 14-25 GPM
Hydraulic Pressure Required: 2,320-3,000 PSI



30.59.01.002

Model:ECSSLR72

Skid Steer Landscape Rake

Working Width: 72"
Number Of Racks: 12
Bucket Capacity(m³) : 0.4
Total Number Of Teeth: 456
Flow (L/min): 60-120
Working Pressure (MPa): 14-20
Weight: 1929.04 lbs
Measurement: 83" × 66" × 42"



30.60.01.003

Model:ECSSRB

Skid Steer Tree Shears

Model: ECSSRB
Maximum cutting size: 15.74in
Weight(KG): 700
Measurement: 46.46*36.22*47.48in
WorkingPressure(MPa): 20



30.62.003.001

Model:SSF81

Forestry Mulcher

Product Height: 66" (w/push bar), 43" (w/o push bar)
Minimum Loader Power Required: 75HP Cut Width: 81"
Cut Capacity: 8" Diamet Rotor Diameter: 12" (w/o teeth), 24" (w/teeth)
Flow (L/min): >110 Maximum Pressure: 3045 Psi
Cut Depth: 4.0" Mulching Teeth: 40
Rotary Tillage Ground Depth: 3.93"
Blade (PCS): 39 Working Width: 61.02"
Dimension: 86.61" x 47.24" x 51.18"
Shipping weigh: 2292.8 lbs



30.64.003.001

Model:SSDFM60

Disc Mulcher

Cutting Width(MM): 1520
Stubble height(mm): 40
Number of blades(PCS): 50
N.Weight(KG): 820
Measurement(MM): 2020*1970*880
WorkingPressure(MPa): 35
Flow(l/min): 75-260
Sliding interface size(MM): 1140*401



30.35.33.001

Model:SSSG72

Skid Steer Grader

Model: SSSG72
Height Adjust: ± 5.9 in
Hydraulic Angling: ± 26°
Hydraulic Tilt: ± 15°
Working Width: 72"
Swing Angle Up And Down: 35
Swing Angle Left And Right: 25
Working Pressure (MPa): 20
Skid Steer Interface Dimensions: 45" × 16"



30.68.04.001

Model:4IN1BCT

4 IN 1 Bucket

Overall Width: 75 in Overall Height: 32.2 in
Overall Length: 74.5 in Open distance: 35.4 in
Pressure 16-21 Mpa Capacity: 0.5 m3
Suitable Flow (L/min): 50~120 Packing Information
One unit per plywood case
Packing Dimensions: 78.8" x 37.5" x 32.7"
Weight: 970 lbs



30.32.07.01.001

Model:SSDH-5

Skid Steer Disc Plow

Frame Width: 78"
Disc Height: 20"
Weight: 890lbs
Discs: 20 set



30.22.05.001

Model:SSSB165

Skid Steer Stone Burier/ Soil Cultivator

Number of blades: 32
Tilling width: 63"
Tilling depth: 4.75"
HP required: 35-50 hp
Rotor speed: 208 rpm
Hydraulic flow: 16-21 GPM
Auxiliary pressure: 2900 PSI

Skid Steers & Attachments



30.73.01.001

Model:SSRPB80

Skid Steer Rock Picker Bucket

Motor: Cycloid Motor
Working Width:78 in
Working Pressure (MPa):17
Flow (L/min): 60-100
Maximum Speed of Picking Up Stones (r/min):62
Min. Picking Stone Diameter: 1 9/16"

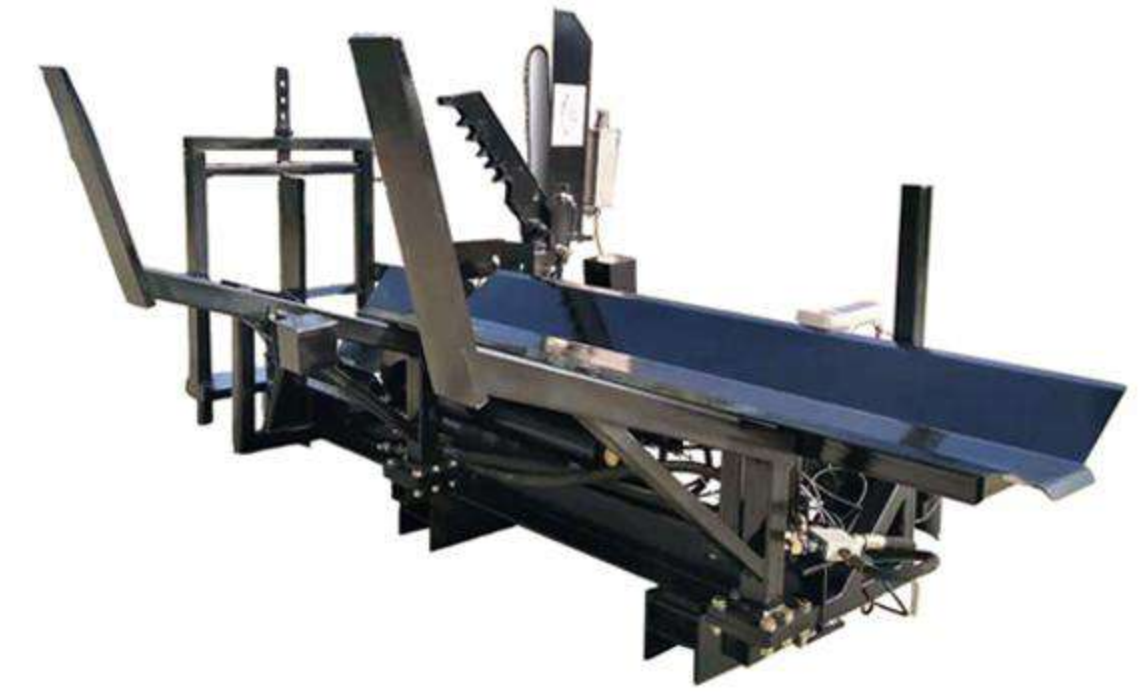


31.03.115

Model:BRT30TSS-CY

Skid Steer Firewood Processor

Power source: Tractor or skid steer	Rotating speed of chainsaw (rpm): 10000
Min. Power (HP): 35	Mini time of sawing down (s): 3
Splitting force (T): 30	Adjustable height of wedge (mm): 150
Max length of feeding wood (mm): 6000	Control valve: Remote Control Panel
Diameter of feeding wood (mm): 450	Ram speed / hydraulic cycle (s): 3
Max length of splitting wood (mm): 580	Ideal Productivity: 12 cbm/hour 3 cord/hour
Max diameter of splitting wood (mm): 450	Package size (L*W*H, mm):2150*1230*1120
Operation control:Remote Control	N/G. Weight (kg): 600/640
Wedge:4-way with manual adjustable	



31.03.114

Model:BRT30TSS

Skid Steer Firewood Processor

Power source: Tractor or skid steer	Rotating speed of chainsaw (rpm): 10000
Min. Power (HP): 35	Mini time of sawing down (s): 3
Splitting force (T): 30	Adjustable height of wedge (mm): 150
Max length of feeding wood (mm): 6000	Control valve: Remote Control Panel
Diameter of feeding wood (mm): 450	Ram speed / hydraulic cycle (s): 3
Max length of splitting wood (mm): 580	Ideal Productivity: 12 cbm/hour 3 cord/hour
Max diameter of splitting wood (mm): 450	Package size (L*W*H, mm):2150*1230*1120
Operation control:Remote Control	N/G. Weight (kg): 600/640
Wedge:4-way with manual adjustable	



30.70.001.001

Model:SSMF

Skid Steer Mounting Frame

Weight: 77.2 lbs
Measurement: 45.6*20.1*6.46in



30.70.003.001

Model:SSMP

Skid Steer Mounting Plate

Weight: 90.9lbs
Measurement: 45.2*18.9*3.2in



No-Till-Seeder

Model:AGT-NTS-ST

Mini Skid Steers Attachments



Ripper



Multi-function Tool



Wood Cleaver



Stone Bucket



Sweeper



Snow Blower



Disc trencher



Forestry Mulcher



Leveler

Mini Skid Steers Attachments



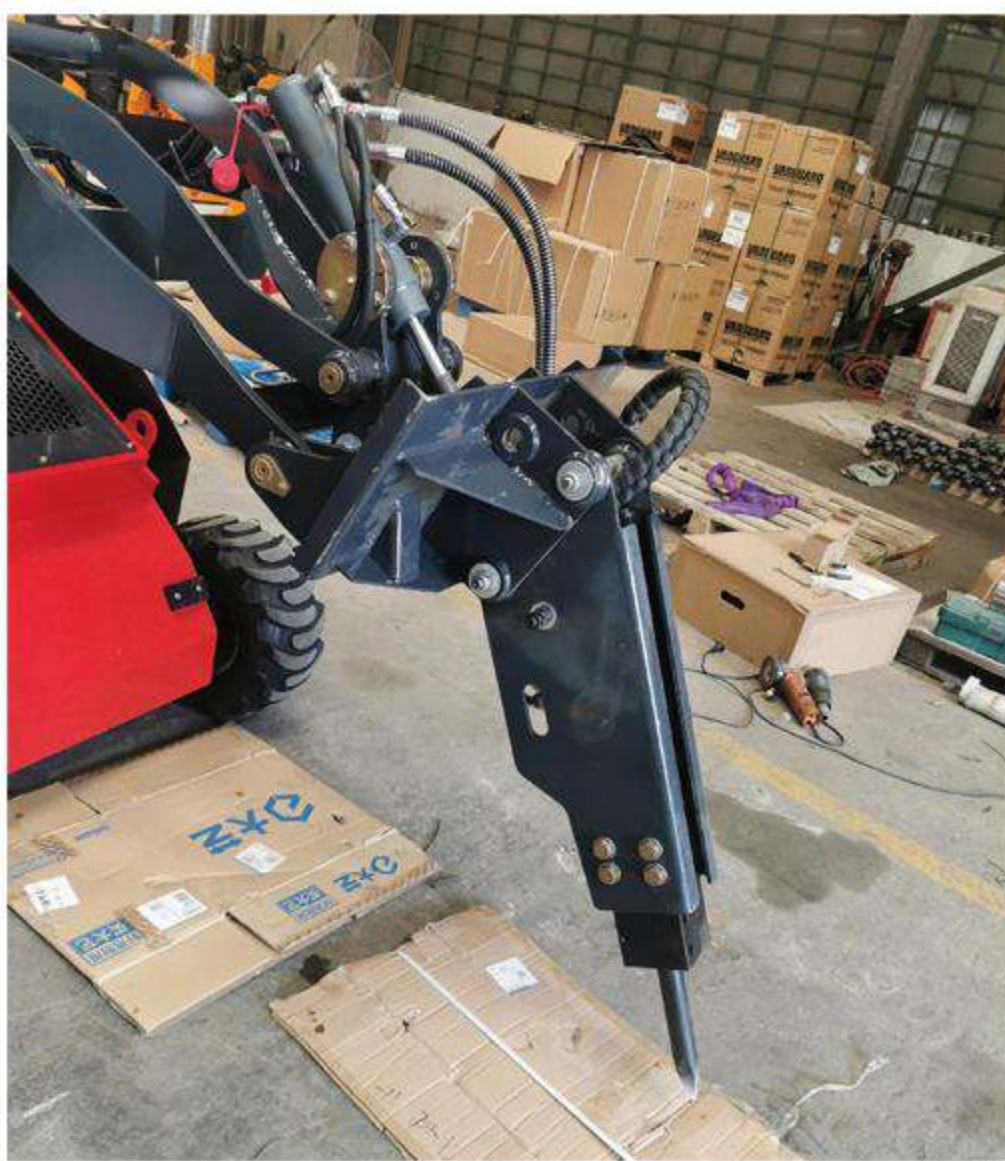
Stump Grinder



Auger



4 in 1 Bucket



Hydraulic Breaker



Skid Steer Soil conditioner



Vibratory Roller



Brush Cutter



Digger



Hydraulic Grapple

Mini Skid Steers Attachments



Grab pitchfork



Trailer System



Bucket Mixer



Lifting Device



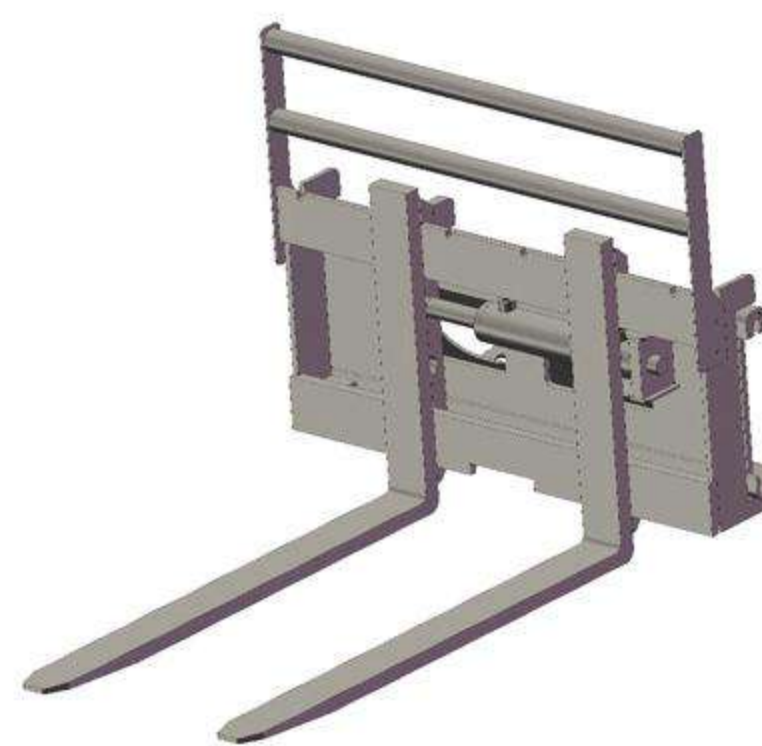
Backhoe



High Dump Bucket



Tiller



Side-shift fork

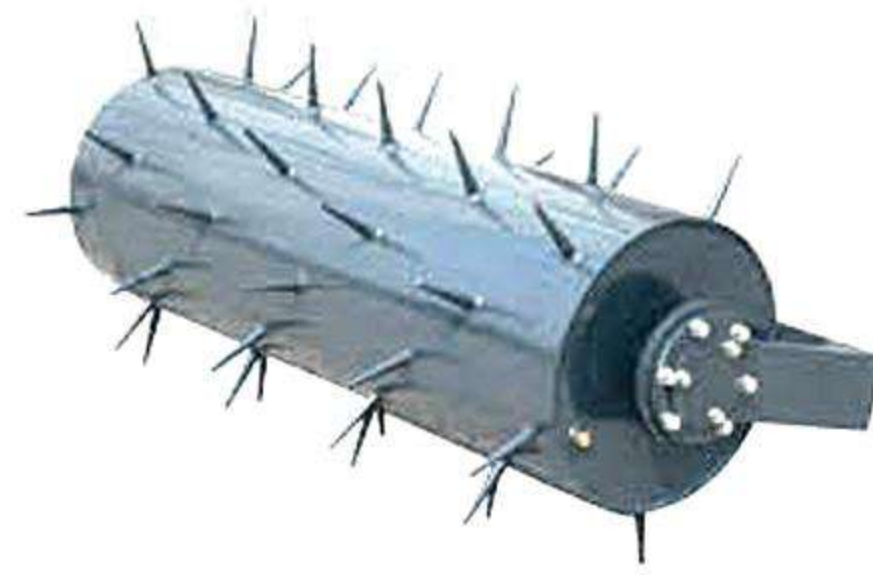


Angle Blade

Mini Skid Steers Attachments



Mixer



Lawn Aerator



Trench Filler



Log Splitter



Flat plate ramming



Tree sawing machine



Sewing machine



Cement mixer



Hedge Trimmer

Mini Skid Steers Attachments



Standard Bucket



Diameter 150mm



Diameter 200mm



Diameter 300mm



Diameter 400mm



Diameter 450mm



Diameter 600mm

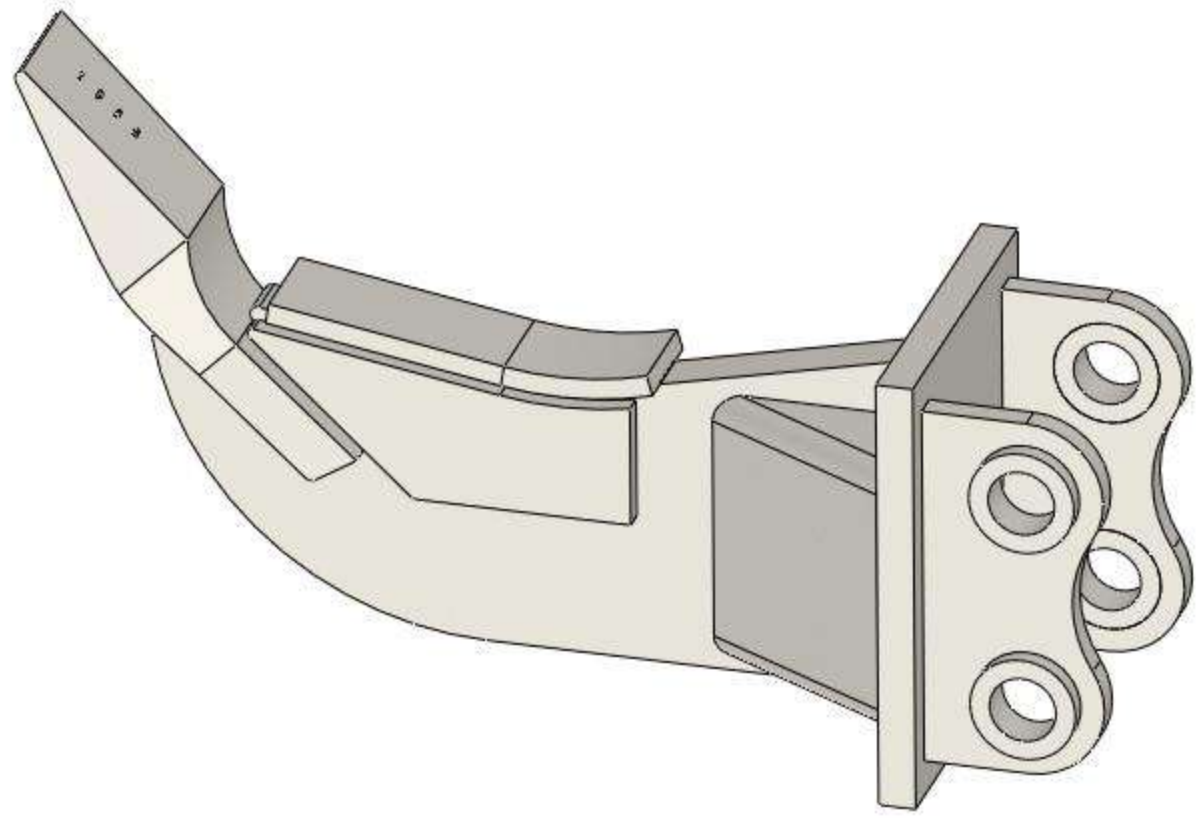


Drill power head chain type



Wood drilling and cutting machine

Excavator and Excavator Attachments



31.08.046

Model:AGT-MN-STQ

Ripper

Model: MN-STQ
Center distance between the two axes of the Mara head (mm): 83.5
Mara head bucket lug spacing(mm): 95
Mara head bucket shaft diameter (mm): 25.2
N.Weight (KG): 12.15
Measurement(MM): 421*138*233



31.08.045

Model:AGT-MN-PZ

Rake

Model:MN-PZ
Center distance between the two axes of the Mara head(mm):85
Mara head bucket lug spacing(mm):95
Mara head bucket shaft diameter(mm):25.5
Number of grasping teeth (root):5
Grasping teeth distance (mm):102
N.Weight (KG):13.23
Measurement(MM):491*483*210



31.08.012

Model:AGT-MN-HK

Quick change

Model: MN-HK
Center distance between the two axes of the Mara head(mm): 84.5
Mara head bucket lug spacing(mm): 93
Mara head bucket shaft diameter(mm): 25
Conversion bucket lug distance (front/back): 87/49
Conversion shaft diameter (front/back): 26/25
Adjustable two shaft center distance(mm): 55-96
N.Weight (KG): 7.5
Measurement(MM): 228*138.5*162



31.08.059

Model:AGT-MN-AGR

Auger

Model:MN-AGR
Center distance between the two axes of the Mara head(mm):84.5
Mara head bucket lug spacing(mm):96
Mara head bucket shaft diameter (mm):25.2
Rotor hole diameter (mm):φ174
Motor/displacement(ml/r):Cycloidal motor BM2 315
N.Weight(KG):44.83
Measurement(MM):1317*175*222



31.04.015

Model:AGT-MN-HM

Hammer

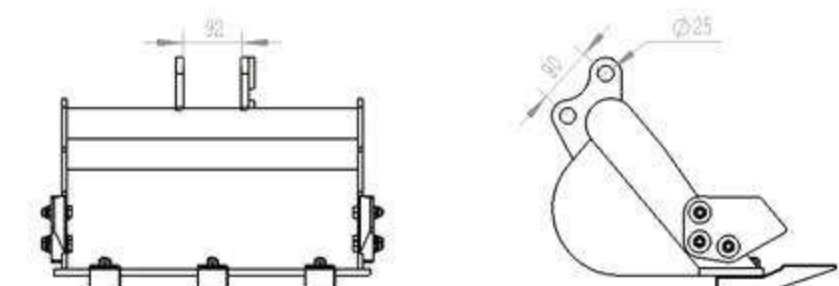
Model:MN-HM
Center distance between the two axes of the Marahead(mm):119
Mara head bucket lug spacing(mm):95
Mara head bucket shaft diameter (mm):24.6
Diameter of brazing rod (mm):φ35
Weight of brazing rod (Kg):4
Drive oil pressure(Mpa):9-12
Drive oil volume (L/min):15-25
Number of vibrations (bpm):800-1400
Weight of the matched vehicle(ton):0.8-2N.
Weight(KG):90Measue
Measurement(MM):925.5*212*357



31.08.015

Model:AGT-12EX-WD08

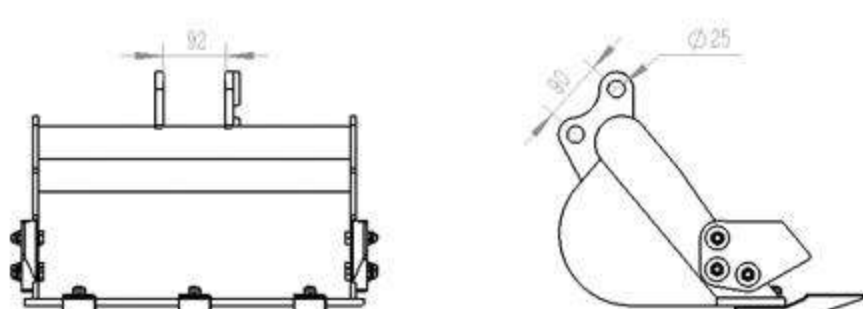
20 bucket (with teeth)



31.08.016

Model:AGT-12EX-WD20

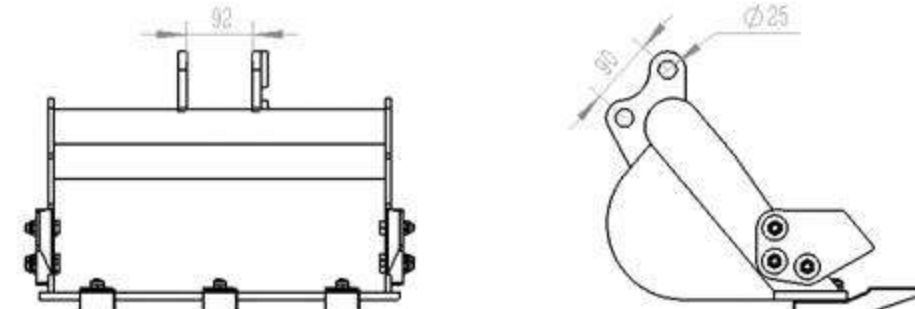
50 bucket (with teeth)



31.08.018

Model:AGT-12EX-WD32

80 bucket (without teeth)



31.08.020

Model:AGT-WG

Wood grapple

Excavator and Excavator Attachments



31.08.071

Model:AGT-ZMQ04

Hydraulic rotation LOG GRAPPLE

Model: ZMQ04
Center distance between the two axes of the Mara head(mm): 305
Mara head bucket lug spacing(mm): 201
Mara head bucket shaft diameter (mm): 50
Rotating motor/displacement (ml/r): BM4-630
Maximum opening diameter (mm): 1400
working pressure MPA 2023/12/16
Set pressure MPA: 18
Flow(l/min): 50-100
Applicable excavator (T): 2023/7/11
N.Weight(KG): 405
Meaeme nt(MM): 700*390*1480



Model:AGT-HTC

Hydraulic thumb clip



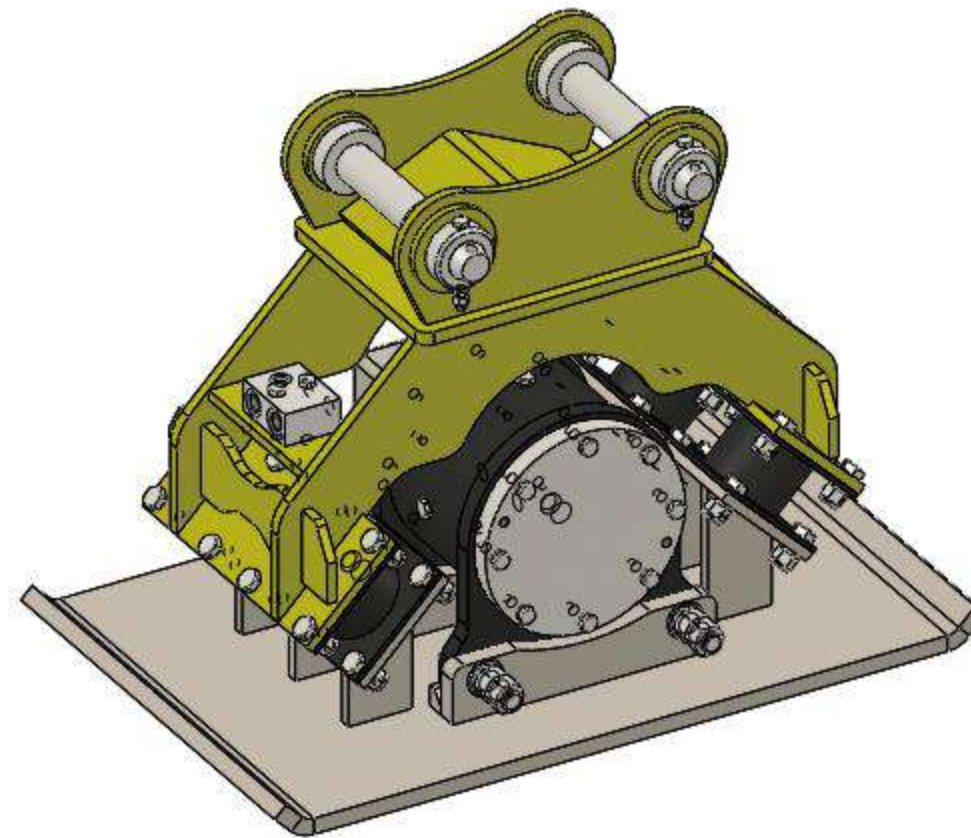
Model:AGT-SG

Shell grab 23"



Model:AGT-FE

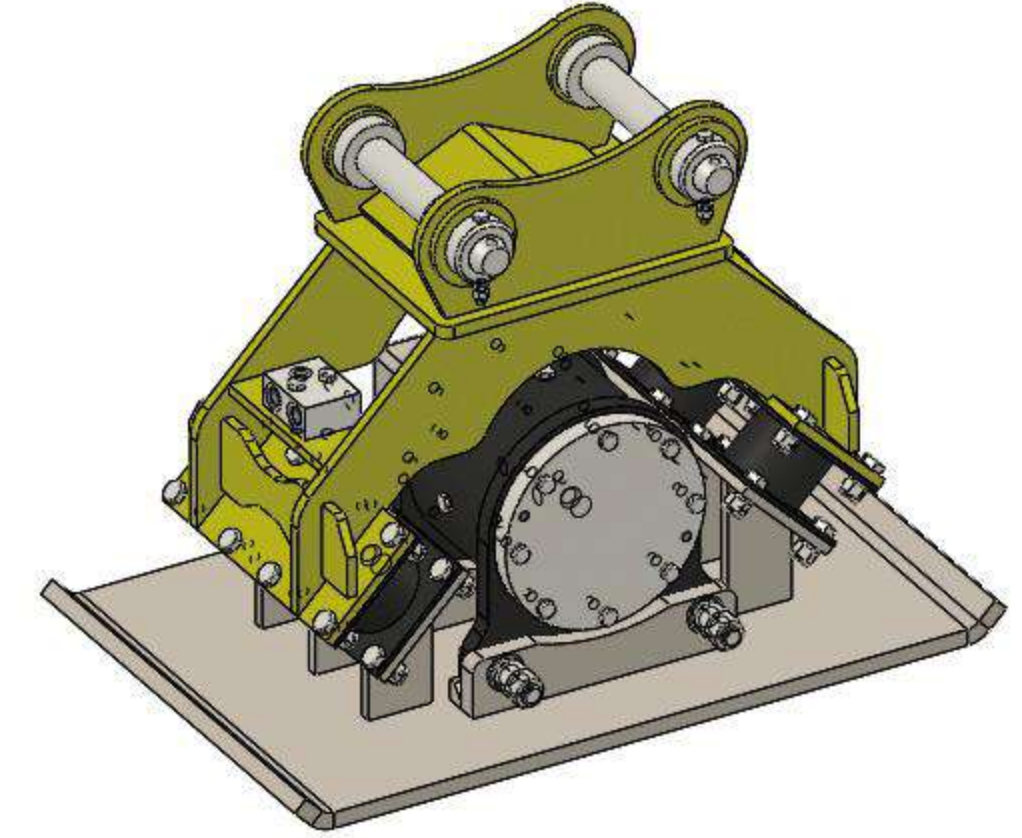
Forklift Extensions



31.08.129/31.08.022

Model:AGT-EXPC02/AGT-EXPC04

Tampers



31.08.033/31.08.130

Model:AGT-EXPC06/AGT-EXPC08

Tampers

Model	Center distance between the two axes of theMara head (mm)	Mara head bucket lug spacing (mm)	Mara head bucket shaft diameter (mm)	Motor/Displacement(ml/r)	Striking force (T)	Maximum working flow rate (L/Min)	Maximum working pressure MPA	Maximum number of vibrations (bpm)	Applicable excavators (T)	N.Weight (KG)	Measurement (MM)
EXPC04	291	165	45	Gear Motor/30.47	4	90	25	3000	4-9	301.45	891*550*673
EXPC06	390	315	70	Gear MotorM5100A767ADNK15-6/	6.5	105	25	2200	11-16	565.55	989*700*851



31.08.024

Model:AGT-EXWG04

Excavator Wood grapple 04TYPER

Weight : 925.9 lbs
Measurement: 55.1*35.4*27.6in



30.62.002.001

Model:AGT-EXFM81

EXFM81 Excavator Type Topper

Model:EXFM81
Excavator interface:apolegamy(CAT324D-325D)
Applicable models T:24-25
Working Width (MM):1550
Rototilling ground depth(mm):100
Cutterhead quantity:39
Working Pressure(MPa):20Flow(l/min):>110
N.Weight (KG):940
Measurement(MM):1430*1860*1070



30.71.01.003

Model:AGT-EXRT046

Excavator Rotary Tiller

Model: EXRT046
Excavator interface: apolegamy(CAT307)
Applicable models T: 6-8
Working width(MM): 1015
plowing Depth(MM): 180
Blade quanty: 20NWeg hK G: 192
Measurement(MM): 1530*750*540Working Pressure(MPa): 10
Flow(l/min): 32-45

Excavator and Excavator Attachments



30.72.01.002

Model:AGT-EXAB56

Excavator Angel Broom

Model:EXAB56
Excavator interface:apolegamy(CAT307)
Applicable models T:6-8
Working width(MM):1270
Brush blade size(mm):165*560
Brush blade quantity:28+2
N.Weight(KG):194
Measurement(MM):1800*750*600Working Pressure(MPa):17.5
Flow(l/min): 32-45



30.08.24.01.001

Model:AGT-EXFLM115

Excavator Flail Mower

Cutting capacity:4"
Hydraulic flow:10-16 GPM
Auxiliary pressure:2900 PSI
Number of knives:24
Cutting width:46"
Packing Information
One unit per plywood case



30.08.02.08.002

Model:AGT-EXRC54

Excavator ROTARY CUTTER

Overall Size
54" x 16.5" x 18"
Cutting Width:54"
Cutting Height:1 19/32"
Quantity Of Blades:2
Flow Rating:16-21 GPM
Max Pressure:3050psi
Weight:540LB
Apply to 3-8 tons Excavator Fit Caterpillar
306, 307, 308



31.08.110/31.08.111/31.08.112

Model:AGT-QH04/AGT-QH06/AGT-QH08

Quick change 04 / 06 / 08

Weight : 143.3 lbs / Weight : 407.9 lbs / Weight : 815.7 lbs



31.03.091

Model:AGT-HDHPL-5000

Vibratory Excavator Pile Driver

Weight : 9788.5lbs



31.03.092

Model:AGT-EXES-17

EAGLE SHEARS

Weight : 5522.6 lbs
Measurement: 39.6*22.0*121.1in



31.08.116

Model:AGT-HPL1200

Hydraulic pulverizer for Excavator

Model Unit: HPL1200	Rated Pressure: 180kg/cm
Suitable excavator: 6-9ton	Rated Flux: 100L/min
Weight: 330kg	Crushing Force Middle: 30ton
Opening: 475mm	Crushing Force Tip: 20ton
Depth: 460mm	Cycle Time Open: 1.8sec
Height: 710mm	Cycle Time Close: 2.5sec
Width: 390mm	
Length: 1150mm	



31.08.117

Model:AGT-HPL1500

Hydraulic pulverizer for Excavator

Model Unit: HPL1500	Rated Pressure: 300kg/cm
Suitable excavator: 15ton	Rated Flux: 220L/min
Weight: 764kg	Crushing Force Middle: 80ton
Opening: 600mm	Crushing Force Tip: 65ton
Depth: 700mm	Cycle Time Open: 2.8sec
Height: 1900mm	Cycle Time Close: 3.2sec
Width: 420mm	
Length: 1200mm	



31.08.118/31.08.119

Model:AGT-HPL2400/AGT-HPL3500

Hydraulic pulverizer for Excavator

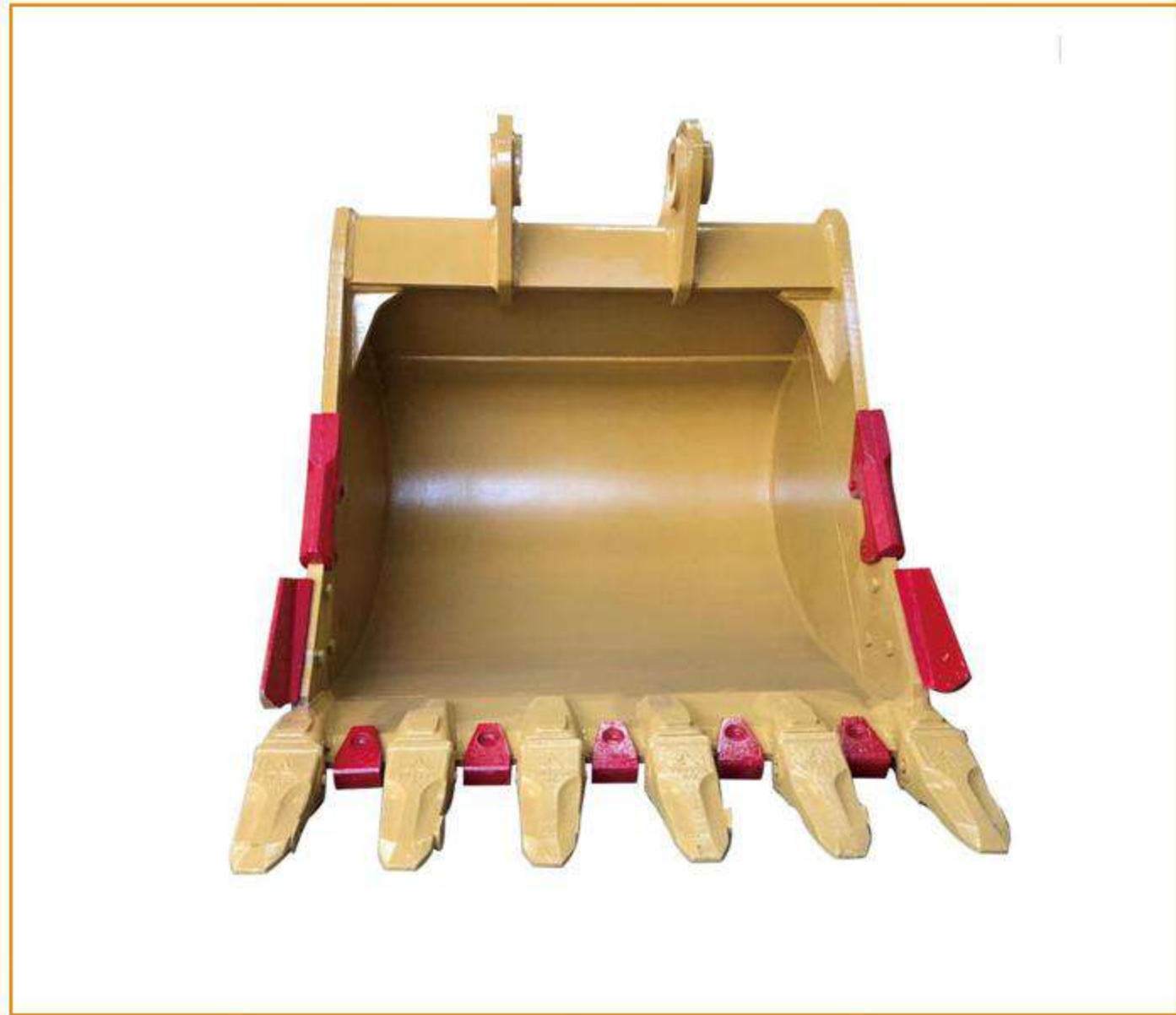
Model Unit: HPL2400	Rated Pressure: 320kg/cm
Suitable excavator: 18-24ton	Rated Flux: 240L/min
Weight: 1600kg	Crushing Force Middle: 100ton
Opening: 800mm	Crushing Force Tip: 80ton
Depth: 1000mm	Cycle Time Open: 2.2sec
Height: 2500mm	Cycle Time Close: 2.5sec
Width: 560mm	
Length: 1620mm	

Big Bucket Series



31.03.086

Model:AGT-CAT345-36
Weight : 3924.2 lbs
Measurement: 82.7*39.3*70.9in



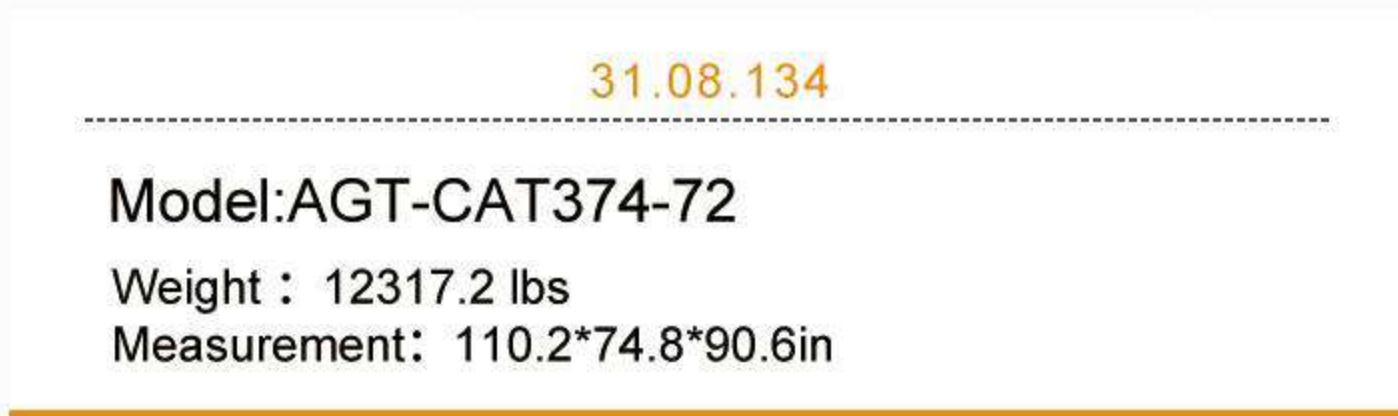
31.03.087

Model:AGT-CAT345-66
Weight : 5908.4 lbs
Measurement: 82.7*66.9*70.9in



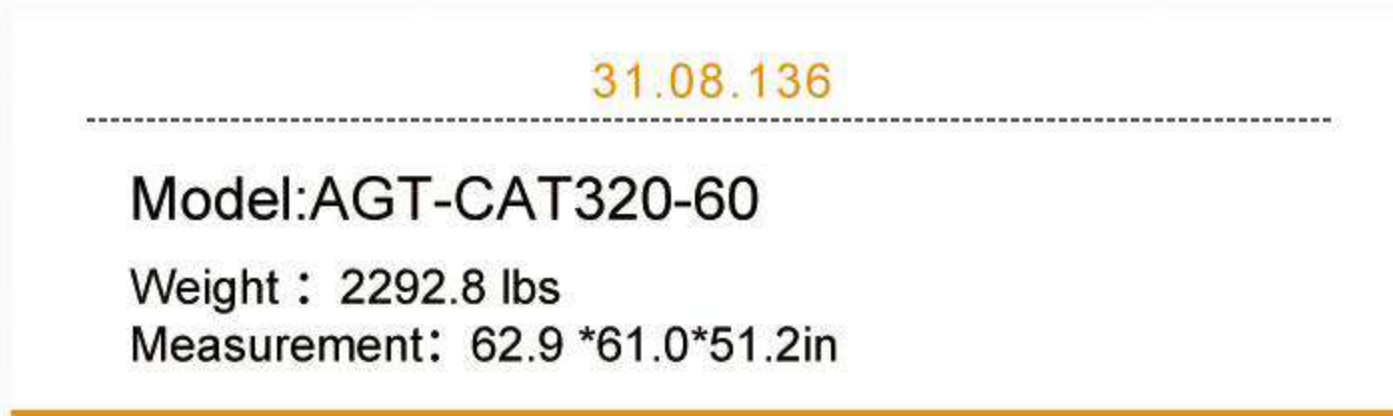
31.03.039

Model:AGT-CAT345-84
Weight : 7010.7 lbs
Measurement: 82.7*86.6*70.9in



31.08.134

Model:AGT-CAT374-72
Weight : 12317.2 lbs
Measurement: 110.2*74.8*90.6in



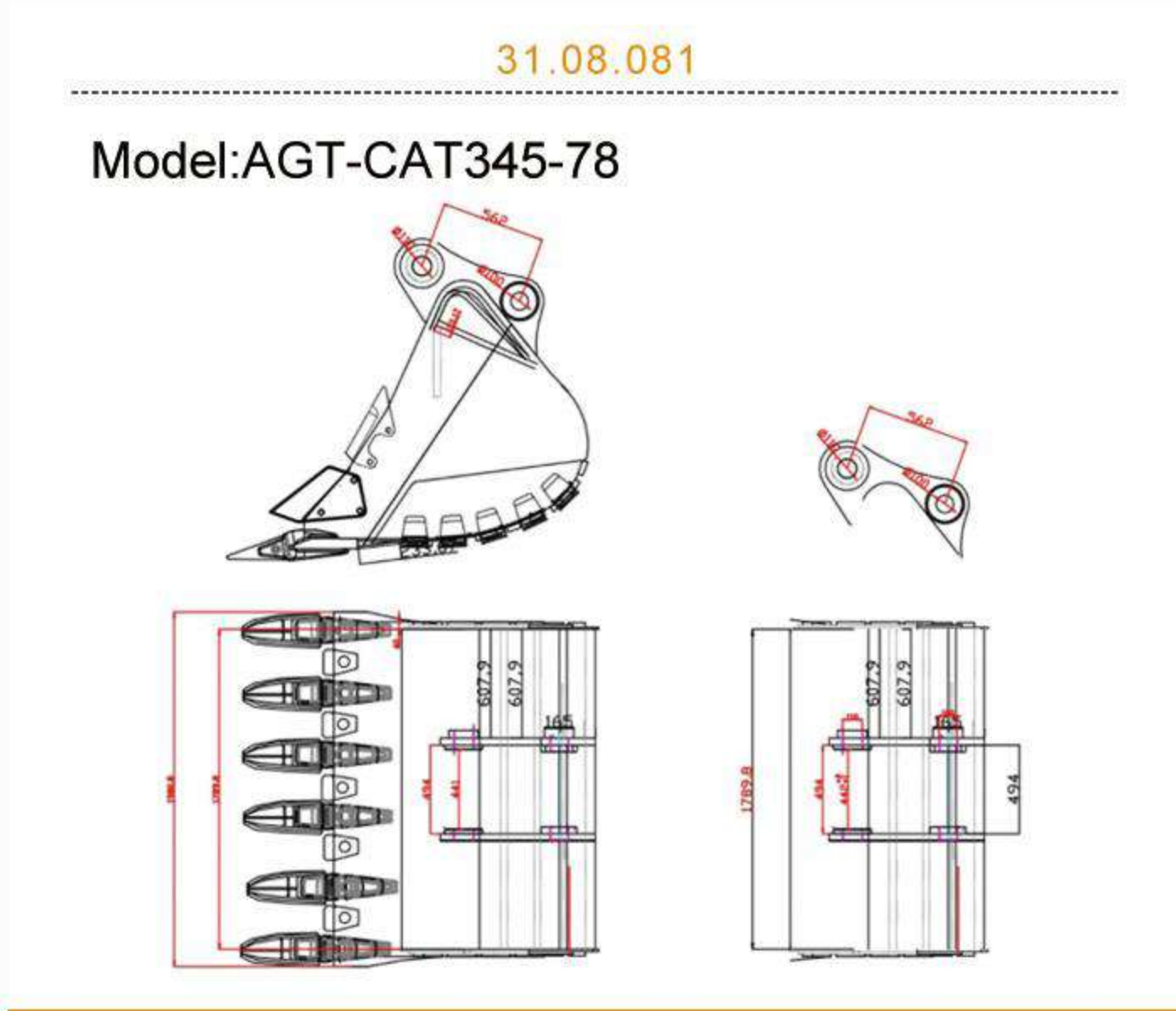
31.08.136

Model:AGT-CAT320-60
Weight : 2292.8 lbs
Measurement: 62.9 *61.0*51.2in



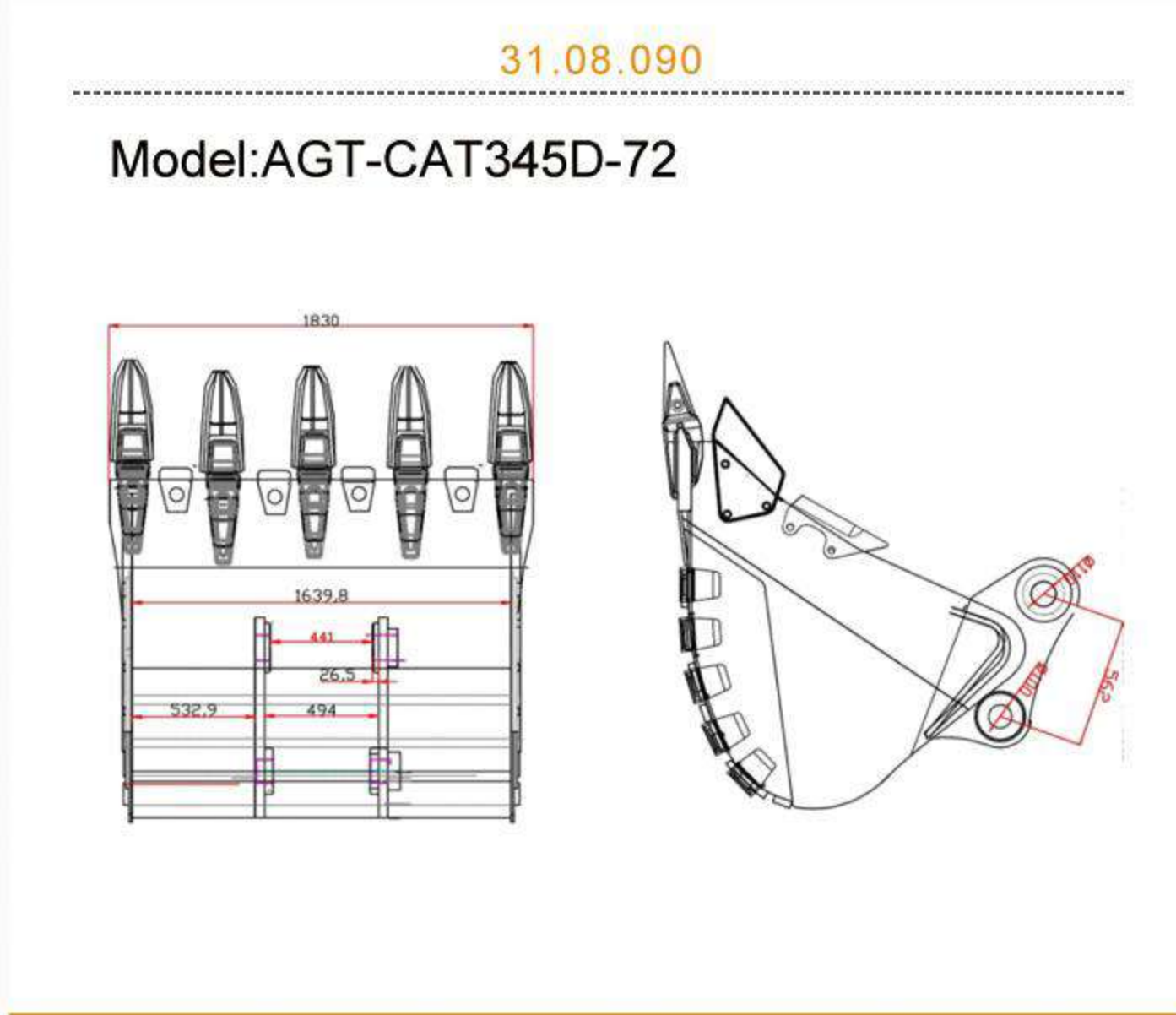
31.08.008.050

Model:AGT-CAT325-48
Weight : 2519.9 lbs
Measurement: 68.9*51.2*51.2in



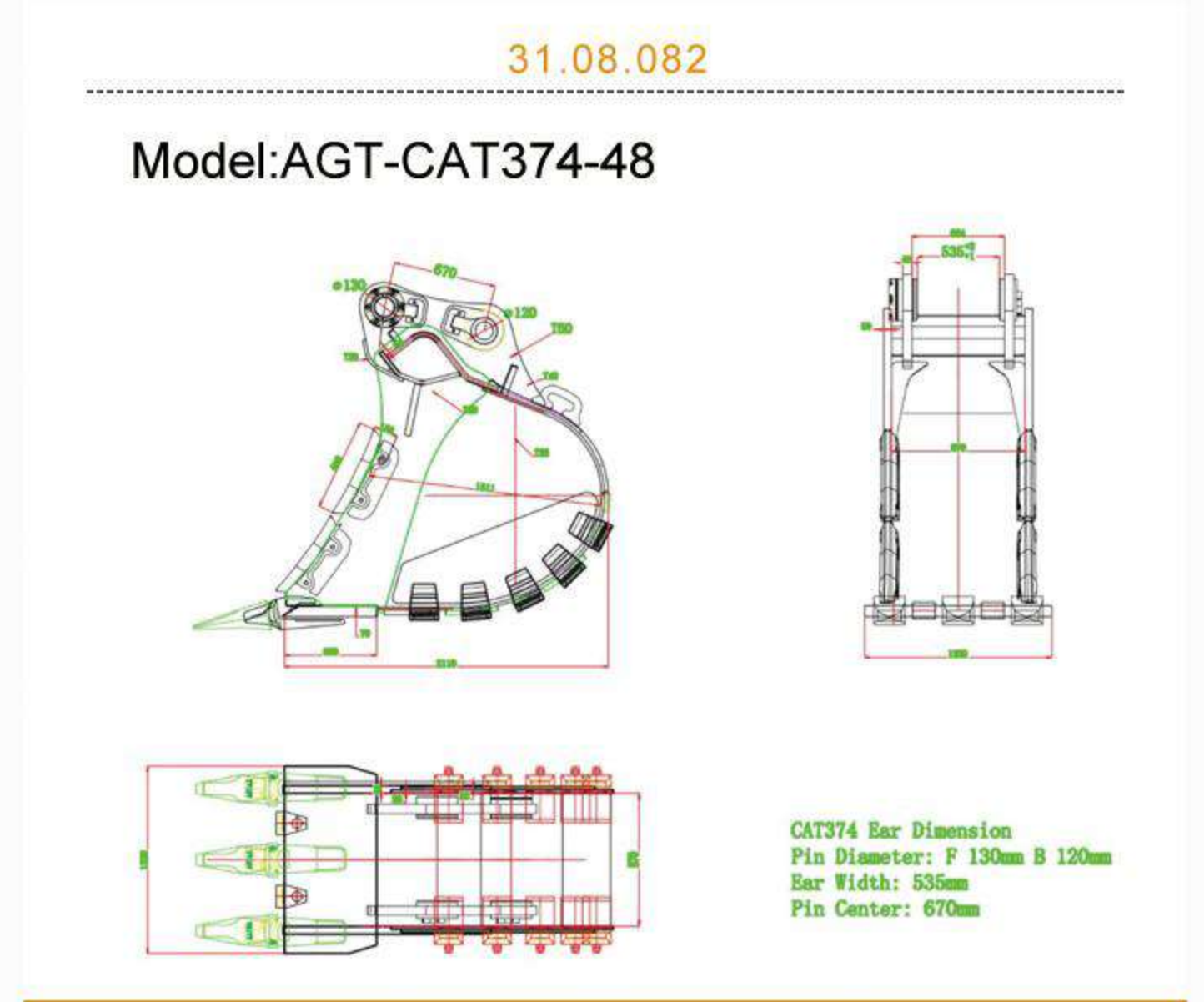
31.08.081

Model:AGT-CAT345-78



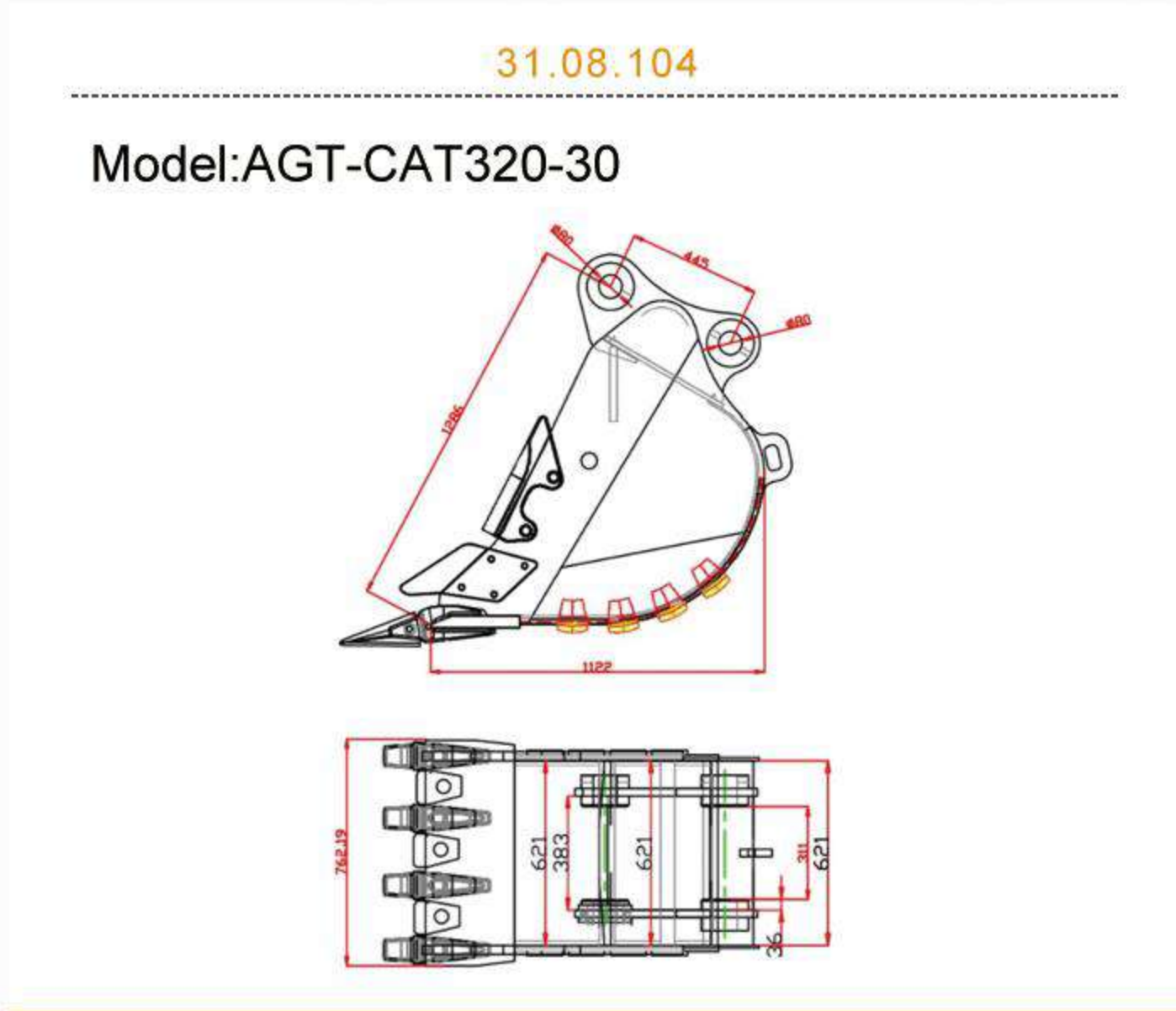
31.08.090

Model:AGT-CAT345D-72



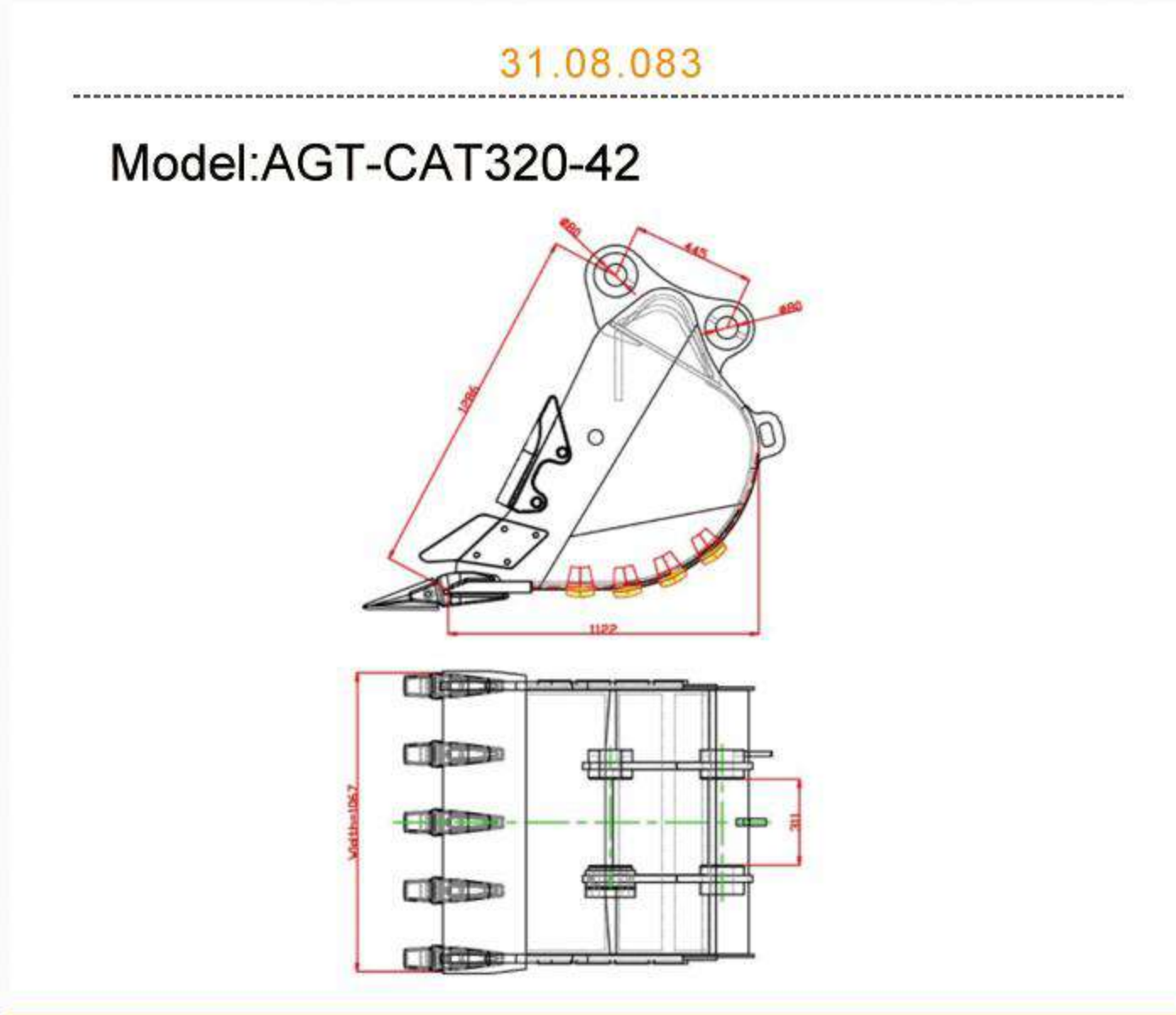
31.08.082

Model:AGT-CAT374-48



31.08.104

Model:AGT-CAT320-30



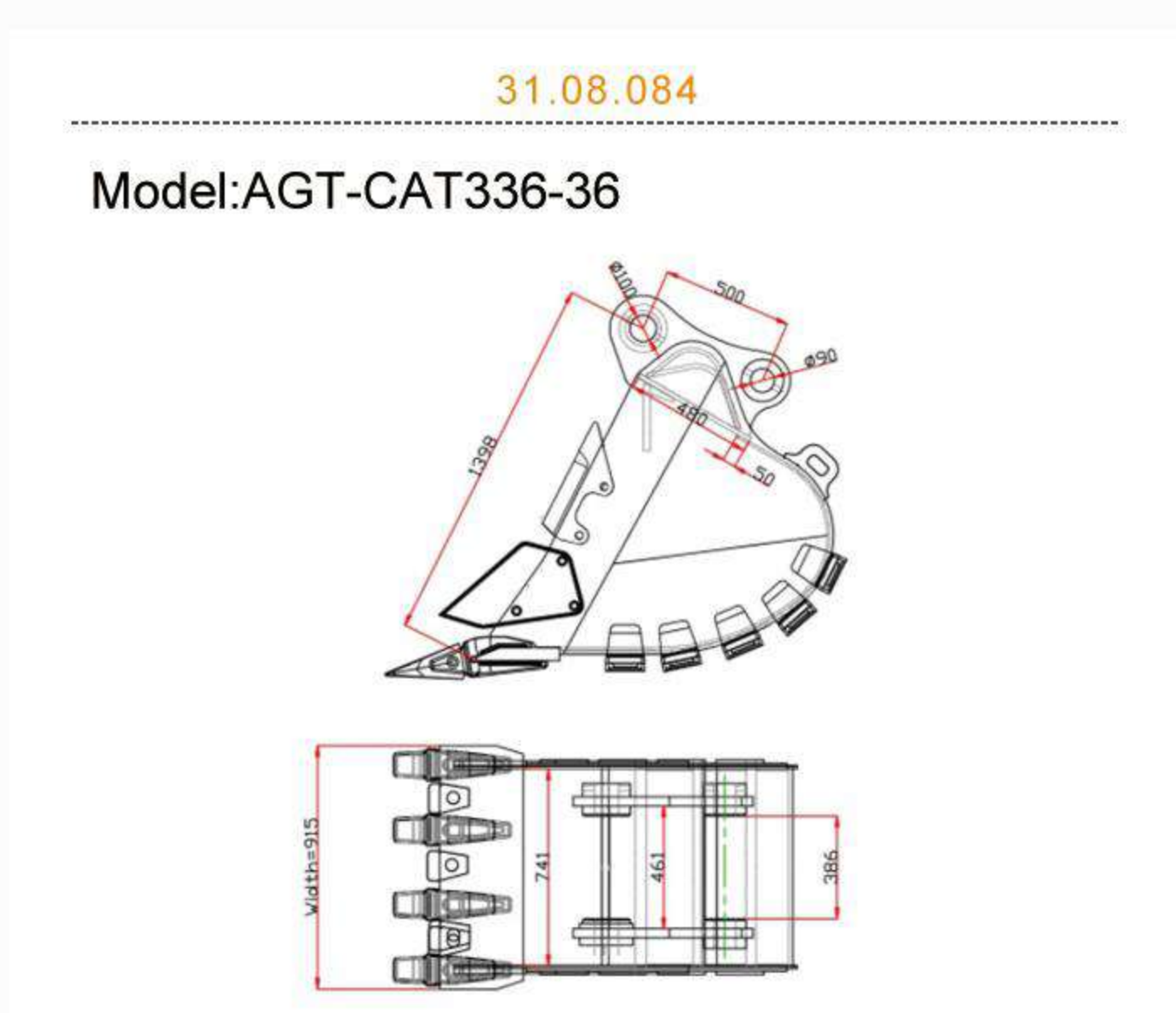
31.08.083

Model:AGT-CAT320-42



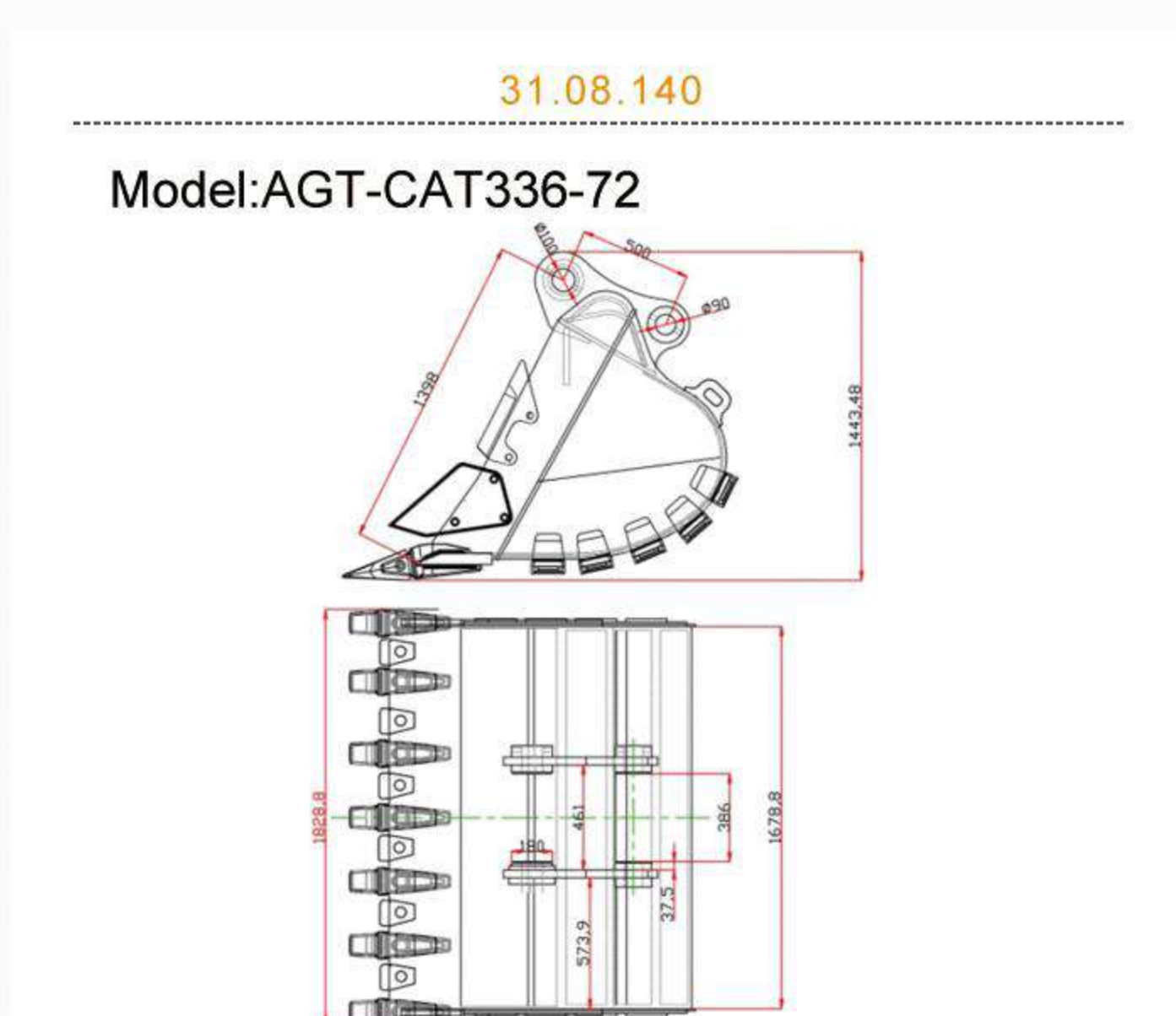
31.08.135

Model:AGT-CAT320-54



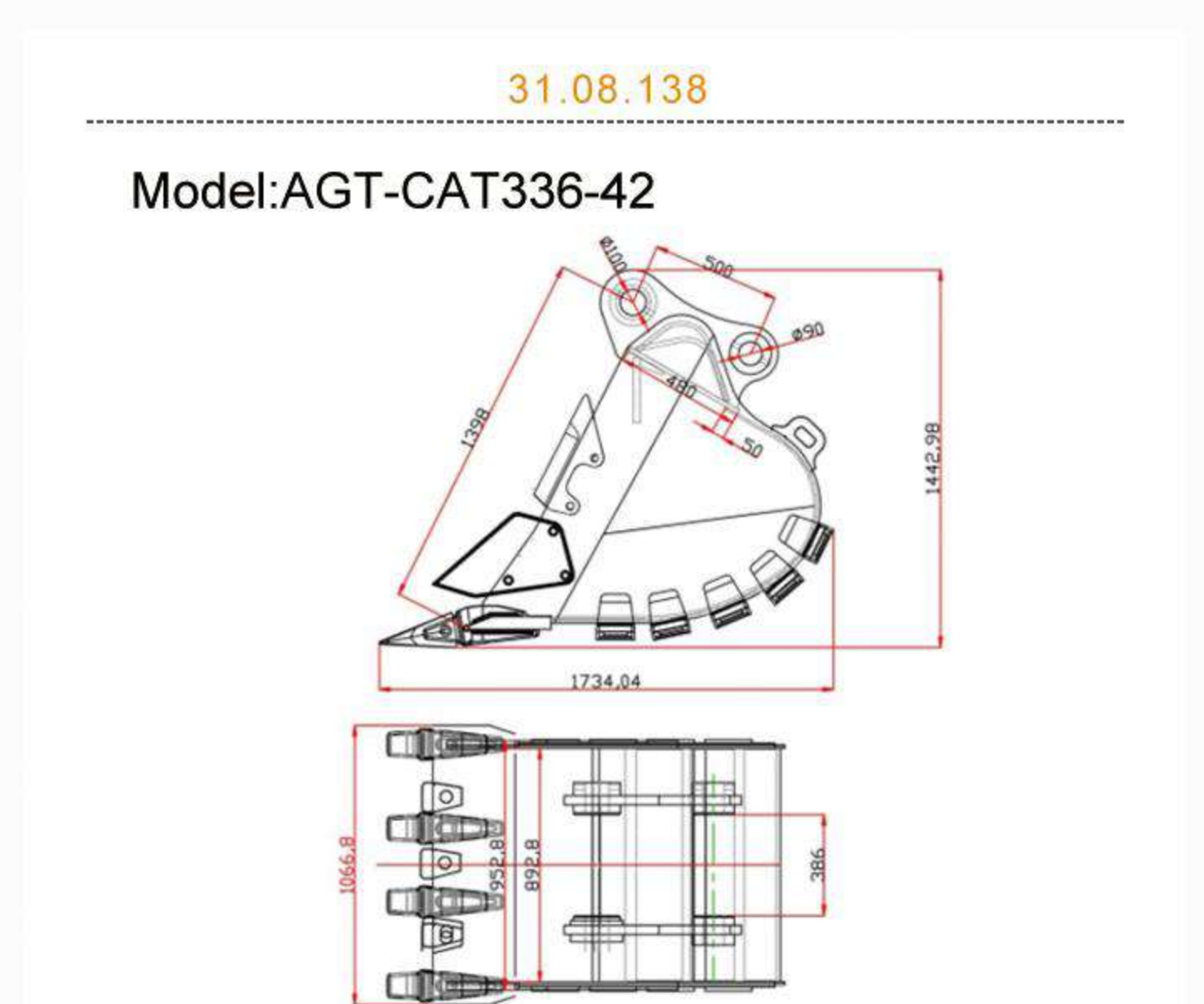
31.08.084

Model:AGT-CAT336-36



31.08.140

Model:AGT-CAT336-72



31.08.138

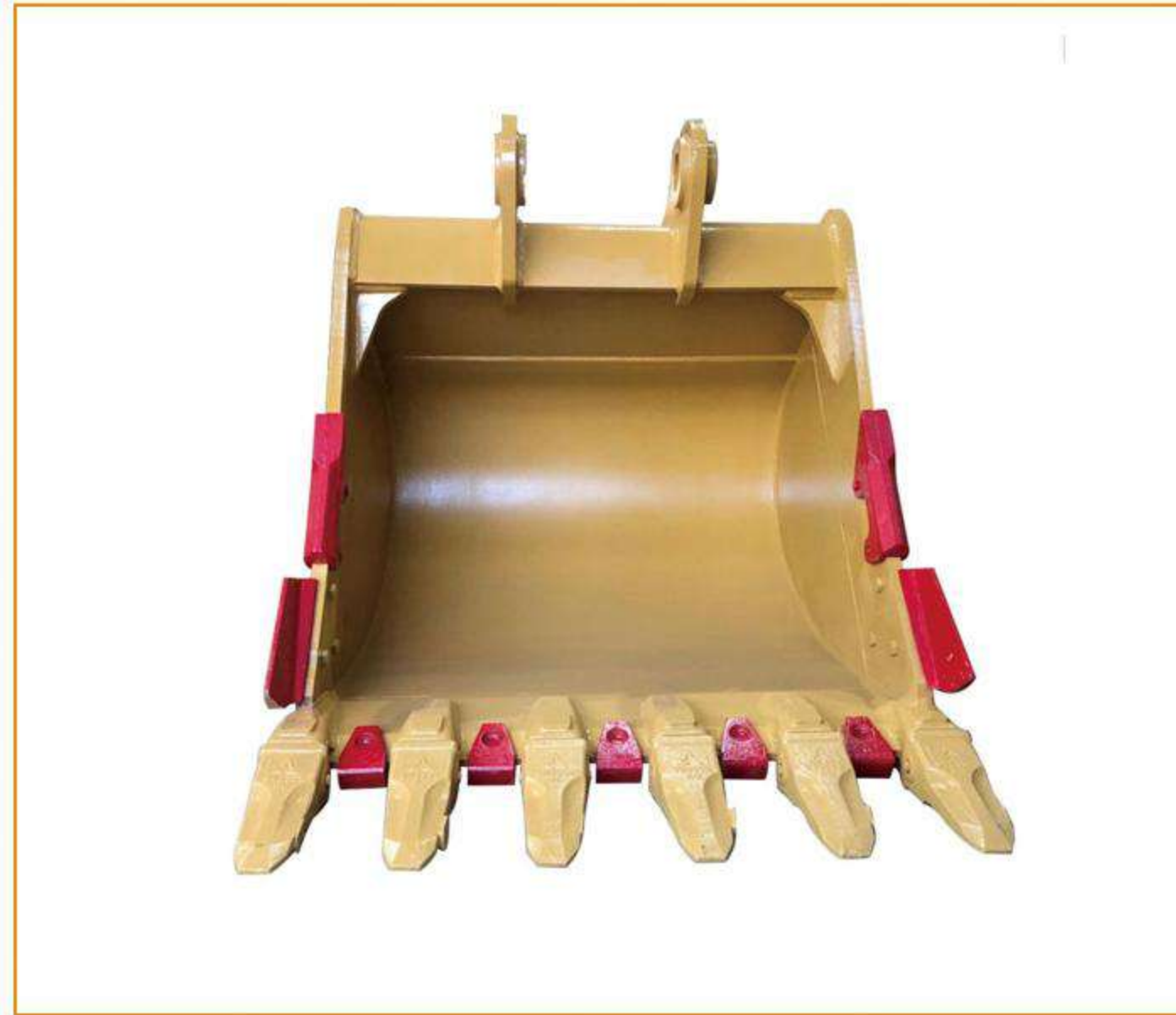
Model:AGT-CAT336-42

Big Bucket Series



31.08.167

Model:AGT-CAT325-66
Weight : 3306.9 lbs
Measurement: 68.9*69.1*51.2in



31.08.137

Model:AGT-CAT330-66
Weight : 3571.5 lbs
Measurement: 70.9*66.9*68.9in



31.08.166

Model:AGT-CAT330-56
Weight : 3670.7 lbs
Measurement: 70.9*57.7*61.0in

31.08.164

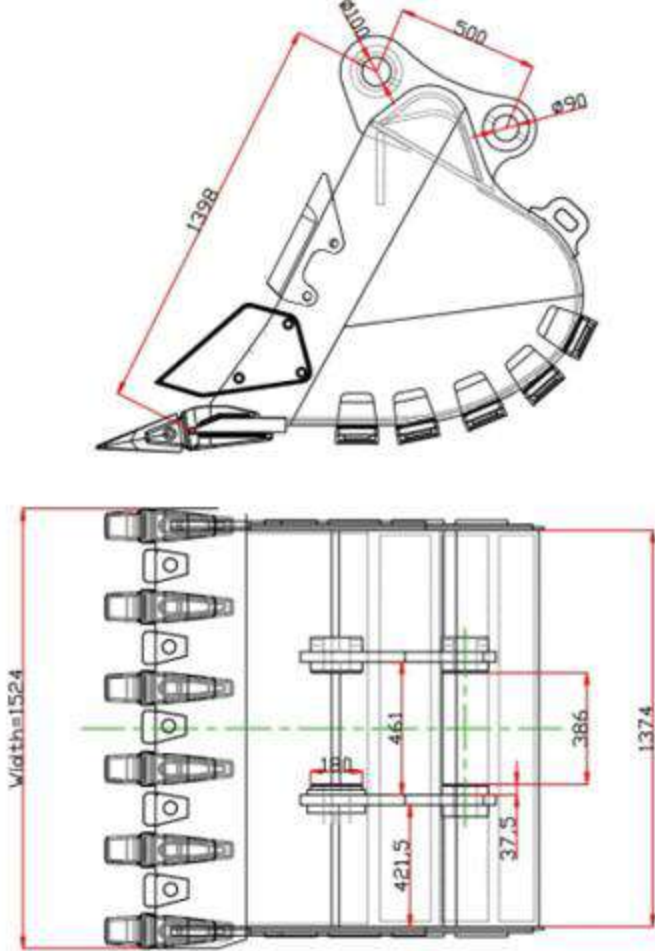
Model:AGT-CAT330-42
Weight : 2912.3 lbs
Measurement: 70.9*44.9*59.1in

31.08.165

Model:AGT-CAT330-48
Weight : 2912.3 lbs
Measurement: 70.9*44.9*59.1in

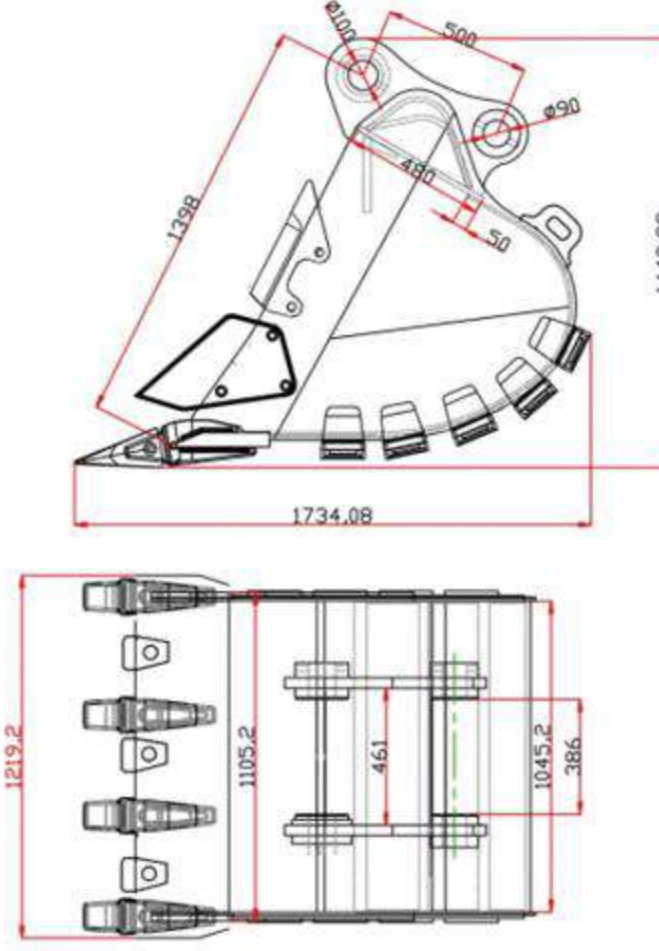
31.08.085

Model:AGT-CAT336-60

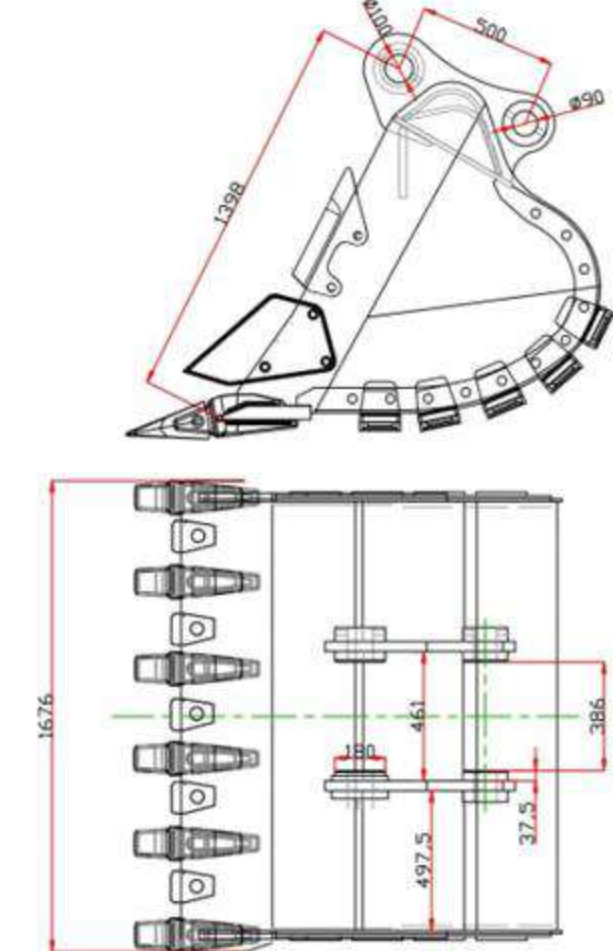


31.08.139

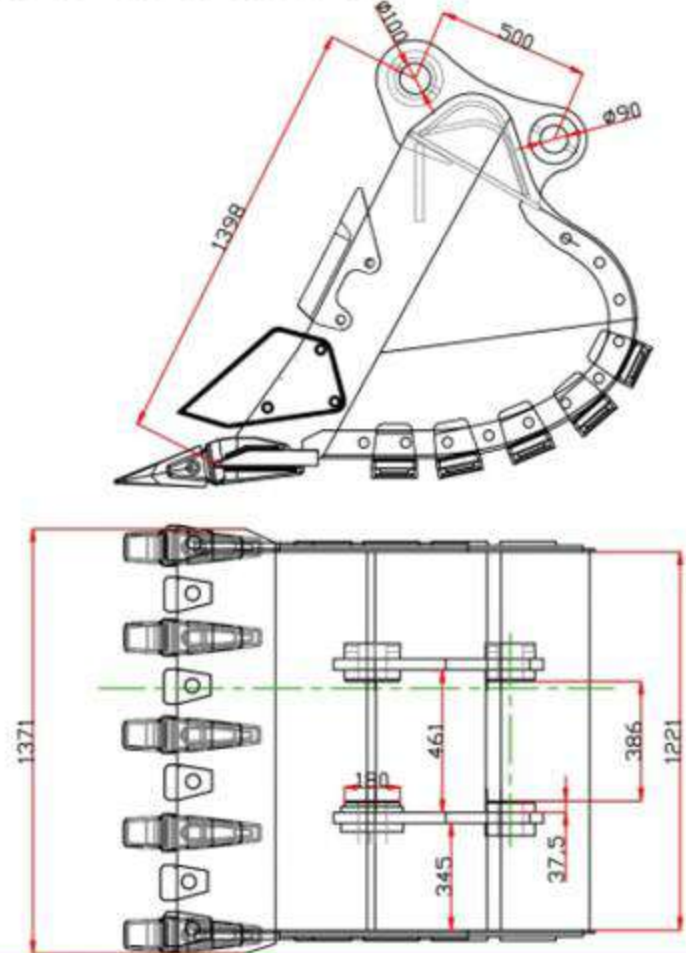
Model:AGT-CAT336-48



Model:AGT-CAT336-66

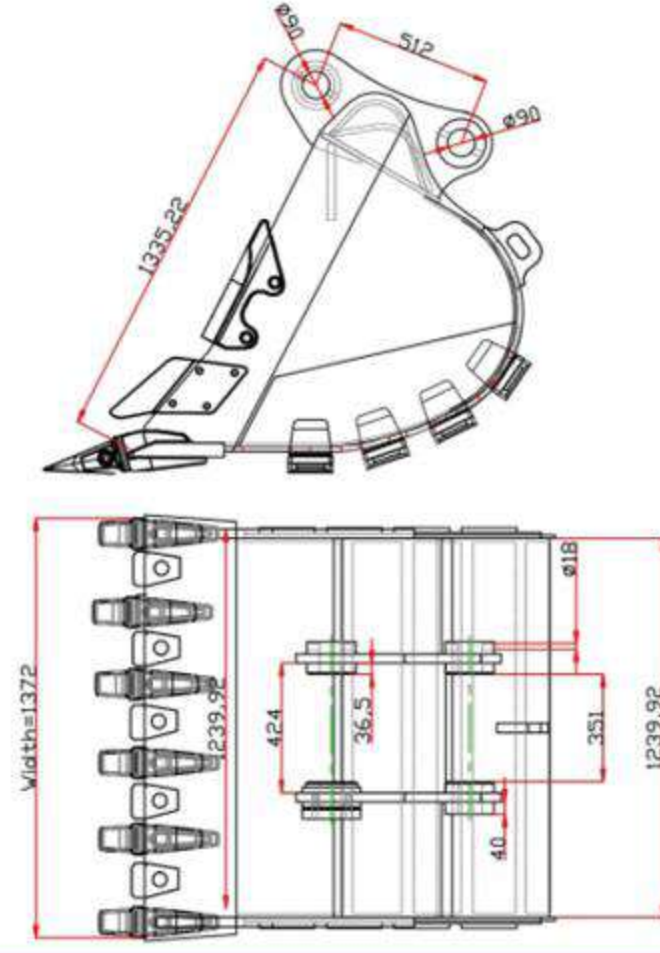


Model:AGT-CAT336-54



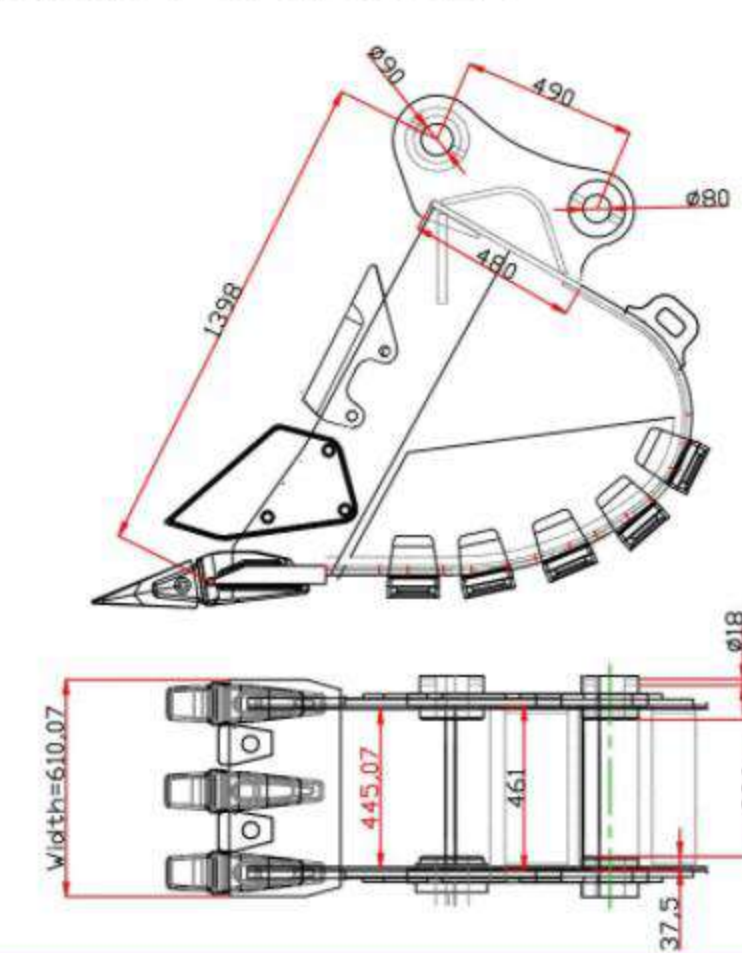
31.08.103

Model:AGT-CAT325-54



31.08.105

Model:AGT-CAT330-24



Big Bucket Series



31.08.168

Model:AGT-CATS374-84

Excavator Skeleton Bucket

Weight : 11744.0 lbs
Measurement: 110.2*86.6*78.7in



31.08.087

Model:AGT-CATS320-54

Excavator Skeleton Bucket



31.08.169

Model:AGT-CATS320-72

Excavator Skeleton Bucket



31.08.141

Model:AGT-CATS330/336-54

Excavator Skeleton Bucket



31.08.142

Model:AGT-CATS330/336-66

Excavator Skeleton Bucket



31.08.143

Model:AGT-CATS345/349E-72

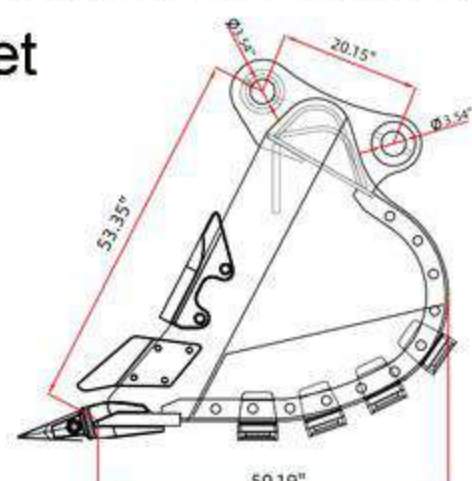
Excavator Skeleton Bucket



31.08.144

Model:AGT-CATS325D-54-60

Excavator Skeleton Bucket



31.08.145

Model:AGT-CATS315-48

Excavator Skeleton Bucket

Weight : 1455.0 lbs
Measurement: 59.0*51.2*51.2in

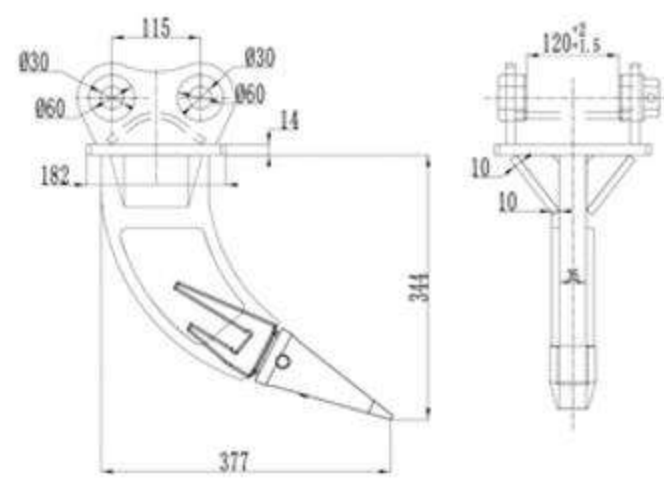
Big Bucket Series



31.08.091

Model:AGT-CATR301

Excavator Ripper



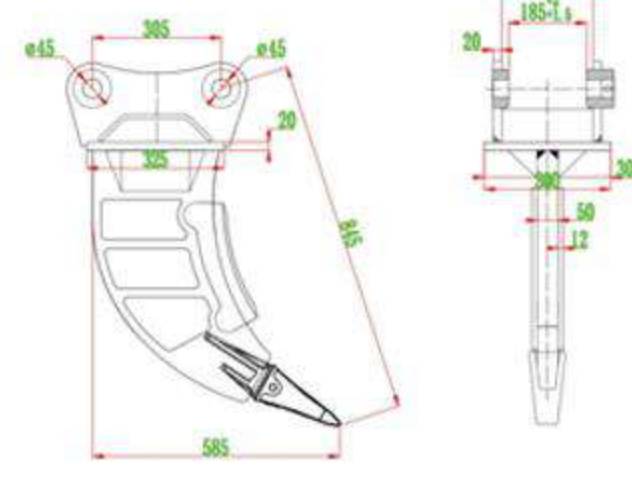
Ear Dimension
Pin Diameter: 30mm
Ear Width: 120mm
Pin Center: 115mm



31.08.092

Model:AGT-CAT307

Excavator Ripper



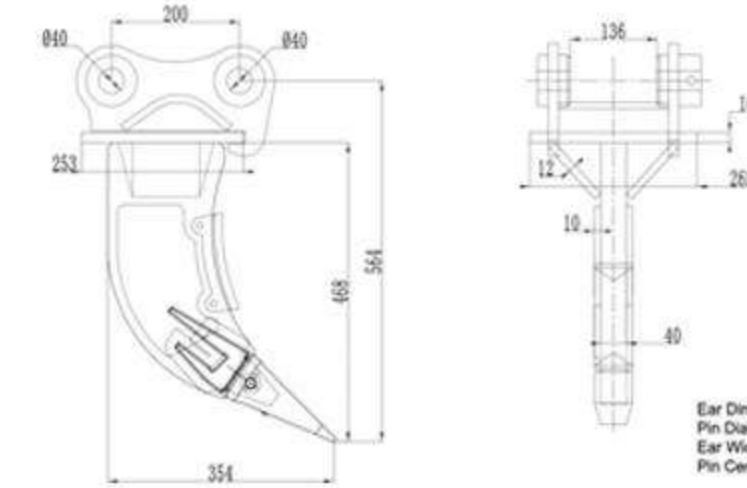
Ear Dimension
Pin Diameter: 40mm
Ear Width: 160mm
Pin Center: 105mm



31.08.093

Model:AGT-CATR303

Excavator Ripper



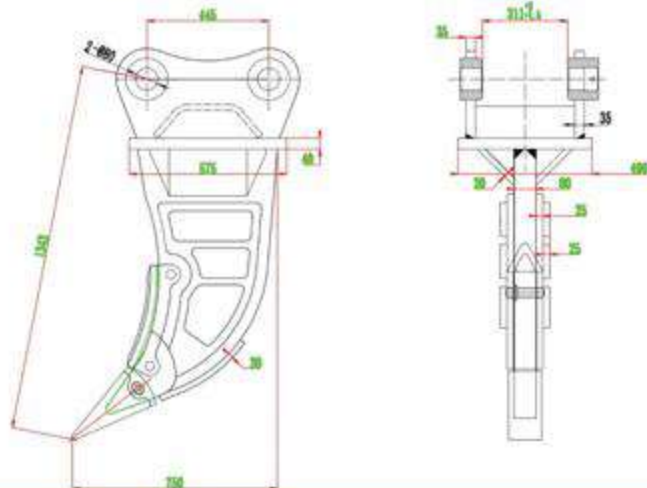
Ear Dimension
Pin Diameter: 40mm
Ear Width: 130mm
Pin Center: 200mm



31.08.094

Model:AGT-CAT320

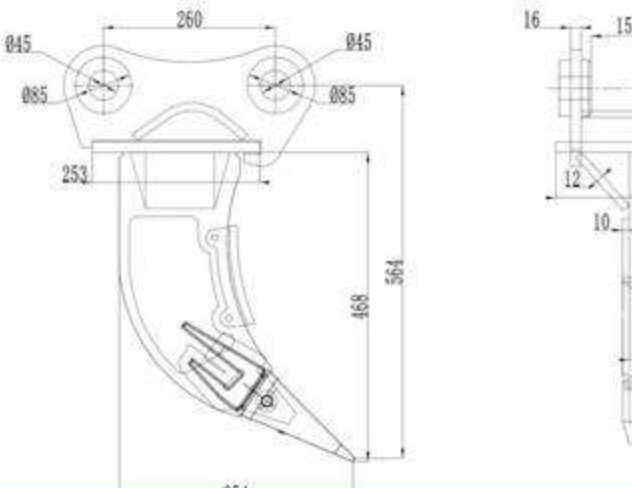
Excavator Ripper



31.08.095

Model:AGT-CATR304

Excavator Ripper



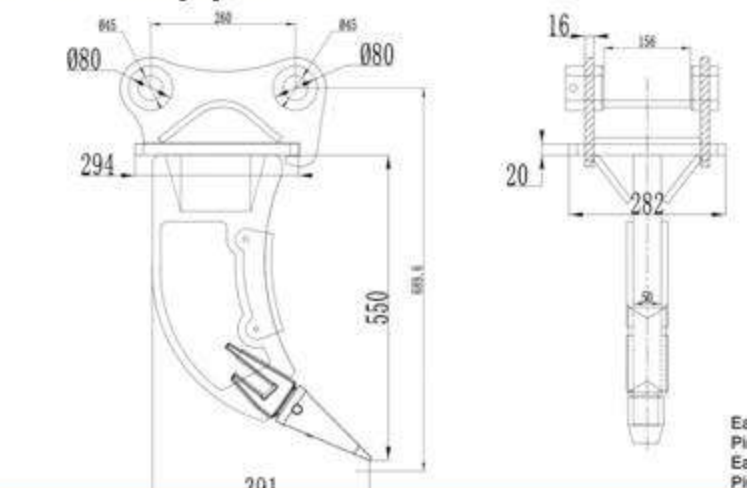
Ear Dimension
Pin Diameter: 40mm
Ear Width: 150mm
Pin Center: 200mm



31.08.096

Model:AGT-CATR305C

Excavator Ripper



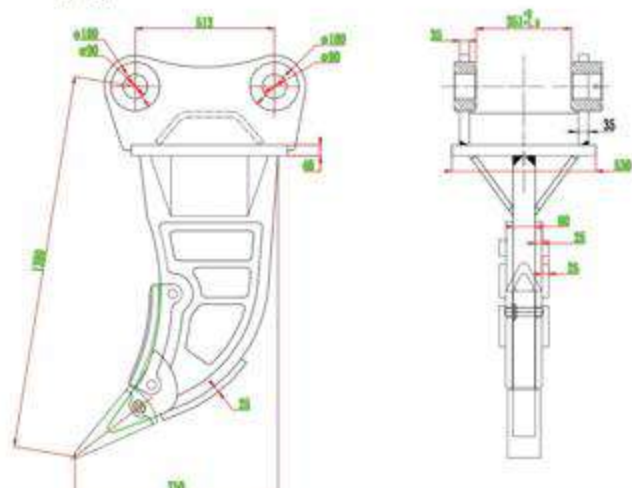
Ear Dimension
Pin Diameter: 45mm
Ear Width: 150mm
Pin Center: 200mm



31.08.097

Model:AGT-CATR325

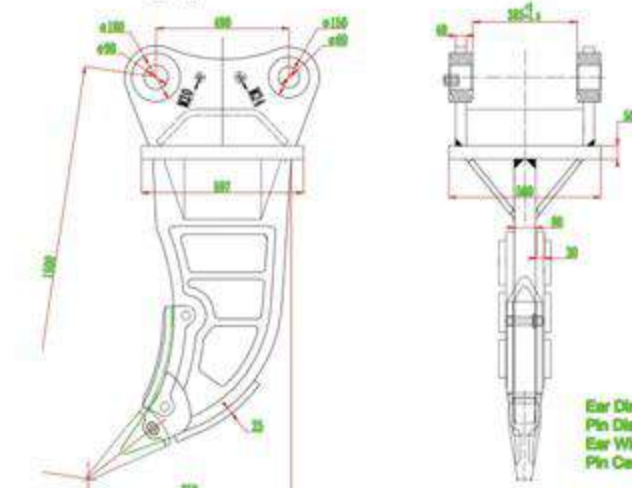
Excavator Ripper



31.08.098

Model:AGT-CATR330

Excavator Ripper



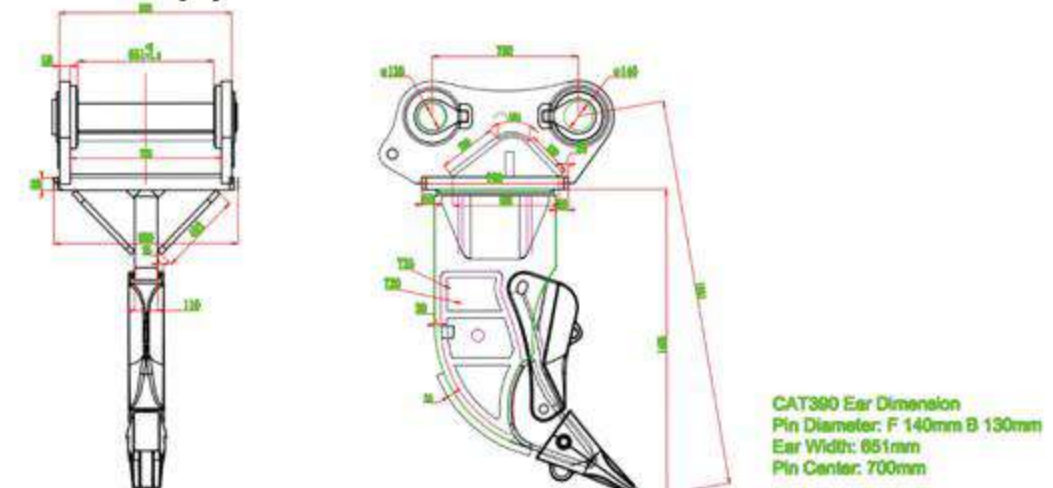
Ear Dimension
Pin Diameter: 50mm/60mm
Ear Width: 100mm
Pin Center: 60mm



31.08.099

Model:AGT-CATR390D

Excavator Ripper



CAT390 Ear Dimension
Pin Diameter: F 140mm S 130mm
Ear Width: 85mm
Pin Center: 700mm

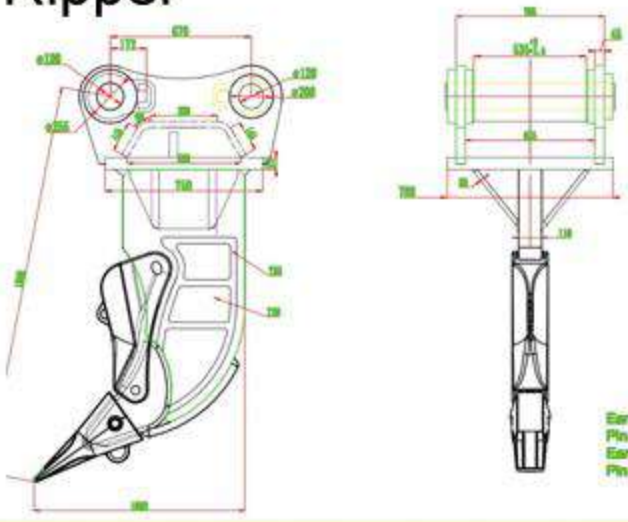
Big Bucket Series



31.08.100

Model:AGT-CAT374D

Excavator Ripper



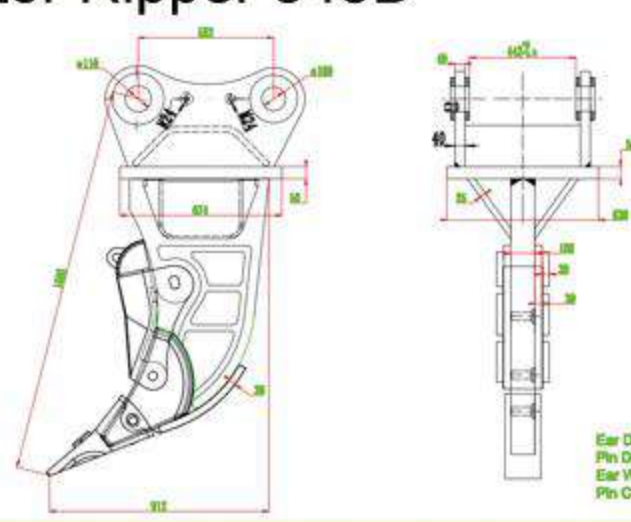
Ear Dimension
Pin Diameter: 75mm
Ear Width: 50mm
Pin Center: 60mm



31.08.101

Model:AGT-CATR345D

Excavator Ripper 345D



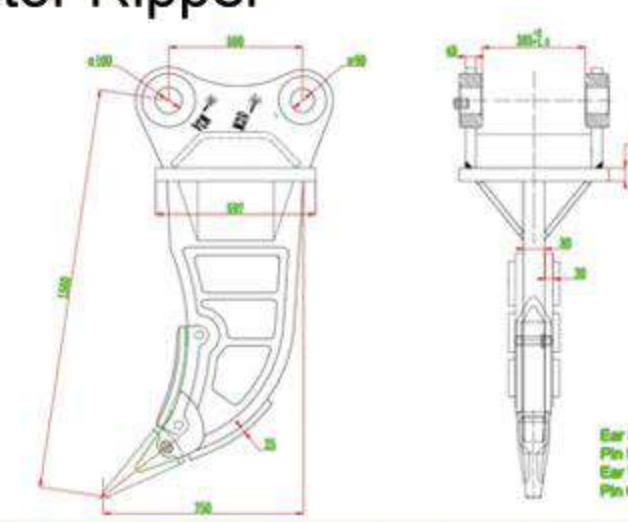
Ear Dimension
Pin Diameter: 100mm
Ear Width: 40mm
Pin Center: 50mm



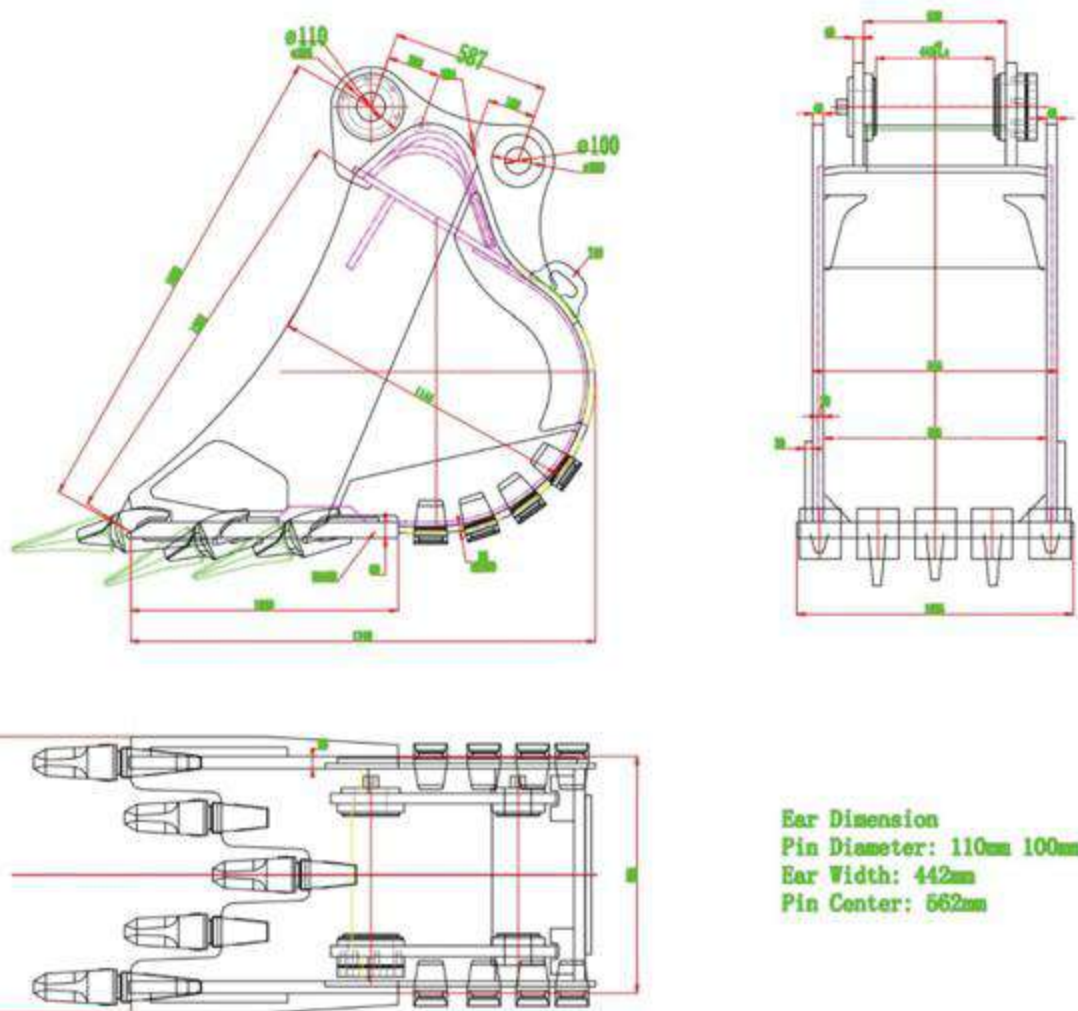
31.08.102

Model:AGT-CATR336D

Excavator Ripper



Ear Dimension
Pin Diameter: 70mm
Ear Width: 50mm
Pin Center: 50mm

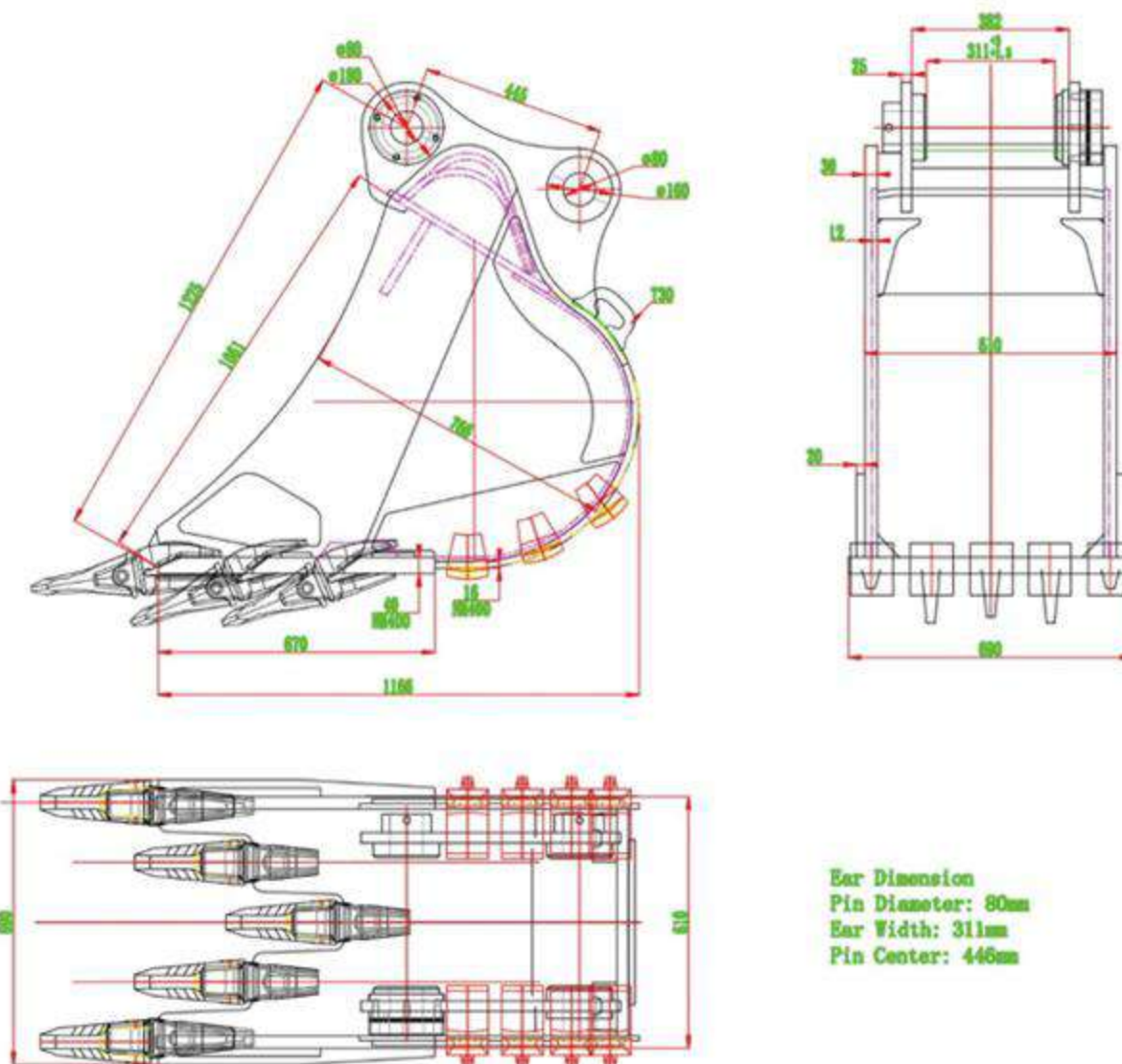


31.08.088

Model:AGT-CATD345-36

Excavator Ripper Bucket

Ear Dimension
Pin Diameter: 110mm
Ear Width: 40mm
Pin Center: 60mm

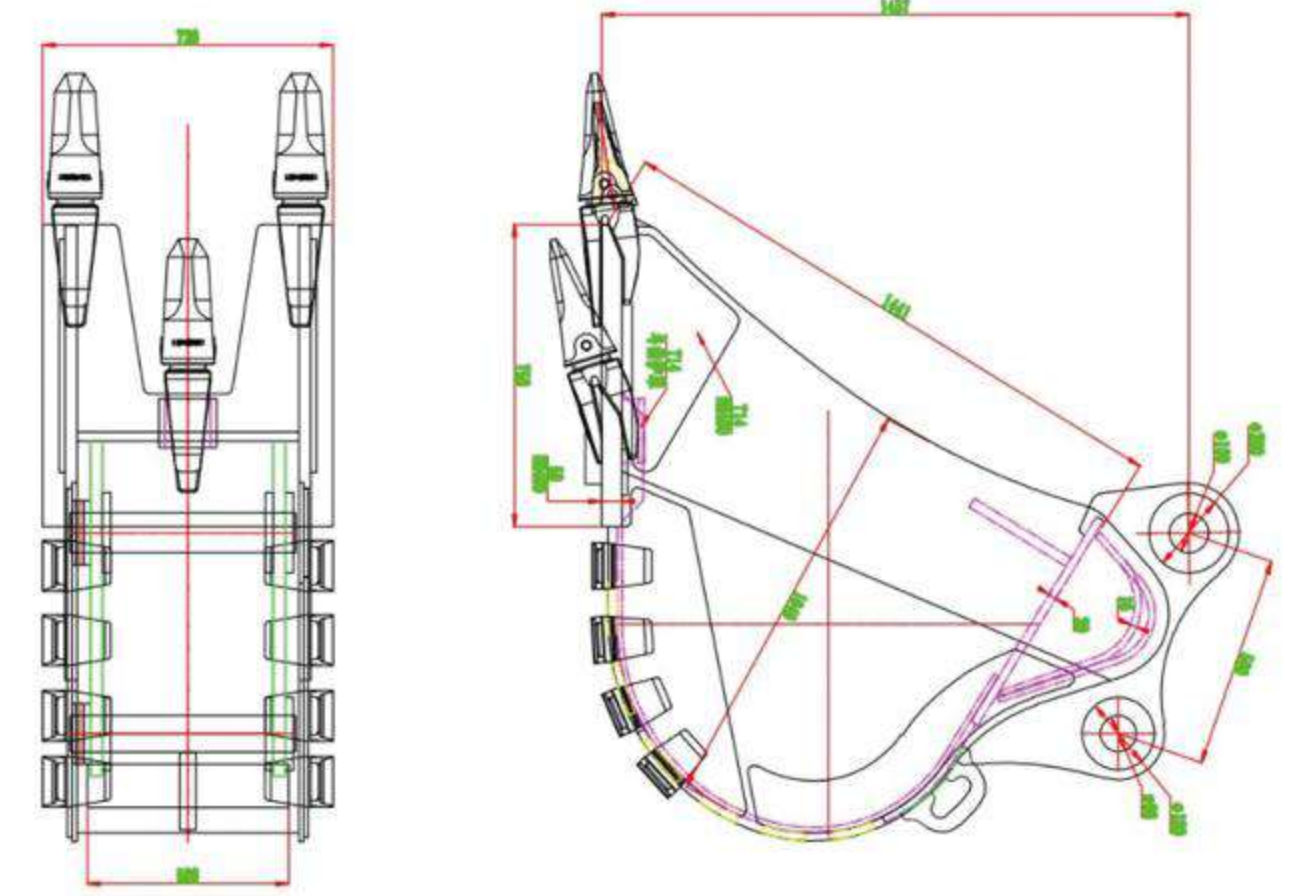


31.08.089

Model:AGT-CATD320-24

Excavator Ripper Bucket

Ear Dimension
Pin Diameter: 80mm
Ear Width: 51mm
Pin Center: 40mm



31.08.146

Model:AGT-CATD336-24

Excavator Ripper Bucket

Tractor Attachments



30.34.05.001

Model: BX52G

Wood Chipper

3-Point Hitch: CAT I PTO Shaft RPM: 540 RPM (1000 temp possible)
Length Of PTO Shaft: 27inch Drive system: Direct Drive
Tractor Engine Power Recommended: 18-50hp / 13-37kw
Power Needed For Max. Performance: 30-40hp
Rotor Diameter: 23 inch Rotor Width: 0.63inch + winglets
Rotor Weight: 143lbs Dimensions (HxWxD): 54x58x72 inch
Total Weight: 452 lbs Number Of Knives: 4 + 1
Length Of Rotor Knife: 8.2 inch
Counter Knife Adjustment Range: 0 ~ 0.2 inch



30.35.12.001

Model: BGS060

Grading Scraper

Model: BGS-060
Working width: 60"
Overall width: 64"
Weight Lbs.: 592
of Shanks: 5
Side panel height: 12-1/2"
Grading blade adjustment: 0" to 1-1/2"



31.03.003.002

Model: NTSD-7

No-Till Seeder-7

7" Spacing
Spring Loaded Double Disc Opener
Disc Scrapers
Divided Stainless Steel Hopper
Standard Seed/Fertilizer seedcups on front and rear
Full width Cage Roller
Compaction scrapers
Rear Roller



30.08.11.04.004

Model: BCRL-155

Flail Mower

Working width: 1500mm
Total width: 1550mm
Input power(RPM): 540
Working height: 0-45
Hoespower(HP): 20-30
Blades(PCS): 30
N.W weight: 305kg



30.08.11.04.004

Model: EFME-195

Flail Mower

Working width: 1900mm
Total width: 1950mm
Input power(RPM): 540/1000
Working height: 0-45
Hoespower(HP): 40-60
Blades(PCS): 30
N.W weight: 346kg



30.08.07.03.002

Model: EFGC-H175

Flail Mower

Model: EFGC-H175
Working Width: 1700
Total Width(MM): 1750
Input Power(RPM): 570
Working Height: 0-45
Horsepower(HP): 30-45
Blades(PCS): 28
N.Weight(KG): 379
PTO: Forging B30-1000PP-2



30.08.08.04.002

Model: MFZ195

Flail Mower

Working width: 1900mm
Total width: 1950mm
Input power: 540rpm
Working height: 0-45hp
Horsepower: 40-60hp
Blades: 18pcs
Weight: 409kg



30.08.04.01.004

Model: BCRM175

Flail Mower

Working width: 1700mm
Total width: 1750mm
Input power: 540rpm
Working height: 0-45hp
Horsepower: 35-55hp
Blades: 28pcs
Weight: 443kg



30.17.001

Model: FM72

Finishing Mower

Model: FM72
Cutting Width(mm): 1800
Power(HP): 50
Cutting Height(mm): 20-100
Blades(PCS): 3
Input Power(RPM): 540
N. Weight(kg): 226
Blade Speed(RPM): 2240

Tractor Attachments



30.22.04.002

Model:TSB165

Stone Burier

Specifications
Number of blades: 32
Tilling width: 63"
Tilling depth: 4.75"
PTO speed:540rpm
HP required: 35-50 hp
Rotor speed:208rpm
Product weight: 750 lb

Packing Information
One unit per plywood case
Packing Dimensions:79.2"x41.3"x31.5"
WEIGHT:1543LBS



30.14.01.002

Model:SAH100-2

COM-JDCPF JD Compact Pallet Fork Frame

Fork Length 48"
Overall Length 58"
Width 5.9"
Height 39"
Hitch SS; JD; EG



30.99.003

Model:KU180

Rotary Tiller

Model						
KU180	70.86"	76.77"	7.87"	60-90	54	540



30.02.01.02.010

Model:TX40

Rotary Tiller

Model								
TXC32	720	880	180	20-35	18	540	123	950*640*580
TXC40	950	1110	180	20-35	24	540	139	1180*640*580
TXC48	1180	1340	180	20-35	30	540	157	1410*640*580



30.02.01.03.014

Model:TX48

Rotary Tiller

Model								
TXC32	720	880	180	20-35	18	540	123	950*640*580
TXC40	950	1110	180	20-35	24	540	139	1180*640*580
TXC48	1180	1340	180	20-35	30	540	157	1410*640*580



30.04.02.007

Model:KK7

Rotary Tiller

Model								
KK-7	2070	2316	180	40-60	66	540	340	2310x740x710



30.43.02.002/30.40.05.004

Model:TAS81/TAS74

Rotary Tiller

Model	AGT-TAS58	AGT-TAS66	AGT-TAS74	AGT-TAS81
PTO HorsePower Required	30 to 50 HP			
3-Point Hitch Type	Adjustable lower hitch clevis with plated pins			
Working Width	58"	66"	74"	81"
Overall Width	62"	70"	78"	86"
Max Tilling Depth	7"			
No. of Flanges	7	8	9	10
No. of Blades	42	48	54	60
Tine Construction	Alloy steel heat treated "C" shaped blades			
Rotor Rotation	Forward rotation			
Rotor Swing Diameter	17"			
Type of Drive	Gear drive			
Rotor Shaft Speed	245 rpm at 540 rpm PTO			
Skid Shoes	Adjustable			
Storage Stands	Adjustable			
Rear Deflector	Adjustable profile stamped rear deflector			
Driveline	Series 5 PTO shaft with Slip Clutch			
Color	Powder Coat Paint In Red			
Transmission Gearbox	Construction	Cast iron housing with ASAE 1 3/8"-6 spline shaft, tapered roller bearings, bevel gears, drain plug & fill plug		
	Lubrication	SAE 80-90W EP Oil		
Side Gearbox	Construction	Fully enclosed in Oil bath with drain & fill plugs		
	Lubrication	SAE 80-90W EP Oil		
Package	Gross Weight	467 lbs	575 lbs	683 lbs
	Package Size(LxWxH)	65"x24"x25"	73"x24"x25"	81"x24"x25"
	Packing	Plywood crate with pallet		

Traffic Facilities



31.06.005

Model:AGT-JT-TFPE-75

Traffic Cones

Model: JT-TFPE-75
Color: tangerine/red
Material: PE
Reflective film: Reflective Tape:250mm or 100mm+100mm or oem
Product name: PE cone pe traffic cone
road work cones 75cm traffic cones safety sign PE traffic cone
Product Size:75cm black bottom seat
L*W*H 37*37*75cm, 2.5KG



T-TOP BOLLARD & BASE

100 PCS



ORANGE BUNTING

1500 METRE

31.06.010

Model:AGT-JT-TTP-1100

Column-colorful flag combination

Model: JT-TTP-1100
Color: fluorescent red
Material: PE column + PVC base
Reflective film: Reflective Tape:240mm or 100mm+100mm
Product Name: PE warning post T-TOP BOLLARD&BASE
1100mm Road Delineator Post T Top Bollards

Product Size:110CM
column : LWH 20*20*110cm 0.8KG
Base: LWH 42*42*5cm 6KG



31.05.07.002

Model:AGT-HRF3415

12V Portable Diesel Fuel Tank Transfer Pump with 49-ft Hose Reel, Commercial Grade

Medium: diesel, kerosene	Voltage: 12V/24V
Power: 155W	Rated current: 22amps
Oil pump rpm: 3000rpm	Oil pump flow: 1-55l/min
Lift: 32.8 ft	Suction range: 9.8-16.4ft
Caliber: 0.98 in	Oil pipe length: 13.1ft
Oil gun: 3/4 self-sealing oil gun	



31.05.07.001

Model:AGT-DTK480

120-Gallon Diesel Poly Fuel Tank

Use: Storage of 440 liters of oil	Dimension: 935.8*23.6*23.6 in
Material: plastic	Configuration: 12V/24V fuel pump
Power:0.21HP/155W	Rated current: 22amps
Oil pump rpm: 3000rpm	Oil pump flow: 1-55l/min
Lift: 32.8 ft	Suction range: 9.8-16.4ft
Caliber: 1.3 in	Oil pipe length: 13.1ft
Oil gun: 3/4 self-sealing oil gun	

Gasoline Accessories



31.05.03.001

Model:WP30

Water Pump

Model: WP30
Inlet & Outlet Size: 3 9/64 inch
Fuel Type: Gasoline
Head: 30M 1 3/16 inch
Suction: 8M 0 5/16 inch
Flux: 60 m³/H
Engine Type: BS170F
Power: 8.0HP
Speed: 3600 RPM



31.05.02.001

Model:CWWM-180C

Cold water washing machine-180C

Engine Type: 7HP Gasoline Engine, air-cooled, 4 Stroke, OHV
Maximum Pressure: 3000psi(200Bar)
Continuous Pressure: 2600psi (180Bar)
Max Flow: 9L/min
Fuel Tank Capacity: 3.6L
Displacement: 210cc
Starting System: Recoil Pull Start
Max. Water temperature: 60 degree
Pump Oil Type:10W-30, 10W-40, 15W-30 or 15W-40
Product dimension: 70*60*80cm / 84*45*54cm
Product weight: 37kgs / 39kgs
Max. Output: 7HP / 3600 rpm
Fuel Type: Regular Unleaded 95 +RON
Hose length: 3m/20m
Pump Type: Axial with Brass Pump Head



31.03.099

Model:D50HA

Dumper

Dimension(Long * Breadth * High): 1670X770X1126mm
Machine Weight: 255kg
Machinery Test Report: Provided
Core Components: Engine, Gear, Motor, Gearbox
Item: D50HA
Engine: RATO R301 270cc
Load Capacity: 500 kg
Box Width: 680 mm
Box Type: Integrated / One-piece
N.W / G.W: 255.50 / 285.50 kg
Bucket capacity: 500kg
Video outgoing-inspection: Provided
Tipping(Dumping): Hydraulic Dumping
Transmission: 3F+1R
Box Length: 950 mm
Box Depth: 465 mm
Track Width / Tire Size: 180 mm



31.05.01.001

Model:HPW3650

Hot water cleaning machine-HPW3650

Pressure range: 3500-4000 PSI
Flow rate: 4.0 GPM
300,000 BTU per hour
Temperature rises to 85 °C in 1.5 minutes (average)
High-pressure hose: 33'
Five quick coupler nozzles: 0°/15°/25°/40° and one soap
Downstream soap injection system
Water supply: Tap water



30.63.001.001

Model:HPW3650-T

Hot water cleaning machine-HPW3650

Pressure range: 3500-4000 PSI
Flow rate: 4.0 GPM
300,000 BTU per hour
Temperature rises to 85 °C in 1.5 minutes (average)
High-pressure hose: 33'
Five quick coupler nozzles: 0°/15°/25°/40° and one soap
Downstream soap injection system
Water supply: Tap water



31.03.100

Model:T30

Dumper

Tipping(Dumping): Hydraulic Dumping
Engine: RATO R301 270cc
Load Capacity: 500 kg
Box Width: 680 mm
Box Type: Integrated / One-piece
Track Width / Tire Size: 180 mm
N.W / G.W: 255.50 / 285.50 kg
Transmission: 3F+1R
Box Length: 950 mm
Box Depth: 465 mm



31.05.04.003

Model:RM80

Rammer AGT-RM80

Engine: Loncin LC168F-2H 6.5HP (EPA)
Tamping Force: 2250lbs
Frequency: 450-650 VPM
Jumping Height: 2.5"
Plate Size: 13.5" x 11.25"
Impact Depth: 18"



31.05.05.001

Model:AGT-AC

Air compressor

Mounting Hole 1/2"
Max. Pressure Rating 175PSI
Receiver Capacity 40 gal
Engine Displacement 302CC



31.03.101

Model:D30MA

Dumper

Dimension(Long * Breadth * High): 1460X770X1126mm
Machine Weight: 180kg
Power: OTHER
Machinery Test Report: Provided
Marketing Type: Ordinary Product
Engine brand: Ducar, other famous brand
Emissions certification: Euro-V stage and EPA/CARB
Tipping: Manual
Load Capacity: 300kg
Box Width: 600-660 mm
Track Width / Tire Size: 180 mm
Unique Selling Point: High operating
Bucket capacity: 300KGS
Video outgoing-inspection: Provided
Core Components: Engine, Motor, Gearbox
Transmission: 3F+1R
Box Length: 1025-1155 mm
Box Depth: 325 mm
G.W / N.W: 202 / 180 kg

Gasoline Accessories



31.03.086

Model:GS1500

Wood Chipper-15HP

Engine: Single Cylinder, Four Stroke, Air Cooling
Displacement: 420 cc Net Power: 3600 rpm, 11 kW
Fuel Tank: 6.5 L Start: E-start / Recoil
Feeding Method: Self-feeding Cutting Method: Drum (Roller)
Max. Chipping Diameter: 4 23/32 inch
Clutch: Centrifugal Clutch Wheel: 16 x 8.0-7 ATV Pneumatic Wheel
Packing Size: 35 x 30 x 48 in Gross Weight: 440 lbs
Overall Size: 101 x 35.0 x 58 in Roller Diameter: 9.1 in



31.03.087

Model:DGS1500

Wood Chipper-15HP

Engine: Single Cylinder, Four Stroke, Air Cooling
Displacement: 420cc
Clutch: High Torque Clutch
Chipping Capacity: 4 23/32 inch
Drive: Direct Belt Drive, 17x 900Li Kevlar Belt, Centrifugal Clutch
Cutting Method: Disc
Cutter RPM: 2000 rpm/min
Wheel: 4.8-8 Tubeless
Fuel Tank: 6.5L



31.03.039

Model:DGS1500SF

Wood Chipper-15HP

Model: DGS1500SF
Power: 15hp 420cc B&S EPA gasoline engine
Start Type: Recoil start Production Capacity: 6cbm/hour
Use: Chipping Wood Safety Device: Emergency stop bar/button
Assembly: 90% assembled Color: Customized
Chip Type: Rotor type Feeding type: Gravity feeding
Operate height: 1560mm Tire: 16"6.5-8
Chipping Capacity: 120mm/4.7" Belt: 2pcs Kevlar belts
Blade Set: 2pcs fly knives+1pc anvil Dimension(L*W*H): 2150X830X1560mm
Gross Weight: 378kgs
After-sales Service Provided: Overseas service center available



31.03.090

Model:SGR1500

Stump Grinder-15HP

Power: 15hp Gas Engine, Recoil Start
Brake: Drum Brake Belts: 2 pcs V-belt
Clutch: Centrifugal Clutch Blade: 8 pcs Blades With Tungsten
Cutting Depth: 13" Cutting Height: 22"
Laser Cut Steel Construction: Yes
Surface Finish: Backed On Powder Coat Finish
Safety Device: Safety Stop Bar
Dimension: 42 x 30 x 25 in Weight: 264.5 lbs



31.03.095

Model:TCR650

Mini Trencher-6.5HP

Power: 6.5hp gas engine, recoil start
Belts: 2 pcs V-belt Clutch: Centrifugal clutch
Blade: 21 pcs blades with Trench Width: 4 inch
Trench Depth: 17.7 inch Laser Cut Steel Construction: Yes
Surface Finish: Backed on powder coat finish
Packing Method: Plywood case
Chain Speed: 550m/min Chain Length: 62.9 in
Dimension: 40.94" x 29.92" x 33.46"
Weight: 299.82 lbs



31.03.096

Model:TCR1500

Mini Trencher-15HP

Power: 15hp gas engine, recoil start
Belts: 2 pcs V-belt Clutch: Centrifugal clutch
Blade: 27 pcs blades with Trench Width: 4 inch
Trench Depth: 23.6 inch Laser Cut Steel Construction: Yes
Surface Finish: Backed on powder coat finish
Packing Method: Plywood case
Chain Speed: 550m/min Chain Length: 78.7 in
Dimension: 45.27" x 30.31" x 33.85"
Weight: 418.87 lbs



31.03.085

Model:GS65001

Wood Chipper-6.5HP

Engine: Single cylinder, four stroke, air cooling
Displacement: 196cc Net Power: 3600rpm, 3.8kw
Fuel Tank: 3.6L Start: Recoil
Feeding method: Self-feeding
Cutting method: Drum (roller)
Max. Chipping Diameter: 4 inch
V-belt: KEVLAR(2 pcs)
Wheel: 4.10/3.50-4 Pneumatic Tire
Roller Diameter: 9.1 in



31.05.02.002

Model:BS-180NB

Cold water washing machine-BS-180NB

Engine Type: 7HP Gasoline Engine, air-cooled, 4 Stroke, OHV
Maximum Pressure: 3000psi(200Bar)
Continuous Pressure: 2600psi (180Bar)
Max Flow: 9L/min Max. Output: 7HP / 3600 rpm
Fuel Tank Capacity: 3.6L Fuel Type: Regular Unleaded 95 +RON
Displacement: 210cc Hose length: 8m/20m
Starting System: Recoil Pull Start Pump Type: Axial with Brass Pump Head
Max. Water temperature: 60 degree
Pump Oil Type: 10W-30, 10W-40, 15W-30 or 15W-40
Product dimension: 70"60"80cm / 84"45"54cm
Product weight: 37kgs / 39kgs



31.05.04.001

Model:PC90

Plate compactor AGT-PC90

Specifications:
Frequency (VPM): 4200
Compaction force: 3400 lbs
Plate Size (L x W): 21" x 17"
Max compaction depth: 12"
Max travel speed: 72 ft/min
6.5HP Loncin G200F gas engine

Gasoline Accessories



31.03.111

Model:CLM173CC

Crawler mower-Kohler

Weight : 308.6 lbs
Measurement: 40.6*35.7*31.5in



31.03.110

Model:RCM-200CC

Remote control mower

Self-charging system
Mowing width 550MM
KOHLER-200CC/CARB/EPA/EU5/CHINA gasoline engine
Maximum output 8HP



31.03.131

Model:RCM-196CC

Wheeled lawn mower

Power: Oil-electric hybrid
Engine type: Wenxin/Loncin 6 HP gasoline generator
Battery: 12V,40Ah/80Ah Battery Mowing width: 20 inch, 51cm
Drive mode: Four-wheel drive, forward and backward
Walking speed: 0-2m/s Remote control distance: 314.96"
Working efficiency: 1800 square meters/hour
Turning radius: 0 Chassis material: steel plate
Frame material: steel plate Tire: Solid 13-inch rubber wheel
Power Generation Range Extension: Yes Headlight: Yes
Remote control distance: 31496"



31.03.142

Model:SVH30

Single Drum Vibratory Rollers-6.5HP



31.03.143

Model:SVH60

Double Drum Walk Behind Vibratory-13.5HP



31.03.104

Model:BRTN30T400

All-in-One Chainsaw Firewood Processor

Type	AGT-SVH30
Run	
Speed	0-3.8KM/H
Climbing capacity in theory	30%
Compaction	
Static load forward/back	45N/cm
Nominal amplitude	0.6mm
Vibration frequency	70Hz
Exciting force	15KN
Water tank volume	22L
Working	
Drive	Two-way hydraulic & chain drive
Vibration	Automatic centrifugal clutch
Engine	
Model	HONDA/BRIGGS&STRATTON
Type	Gasoline & Single Cylinder & Vertical & Four Stroke & Overhead valves
Power	5.5 hp/3600/rpm
Fuel Capacity	3.6L
Lubricant	0.6L
Hydraulic Tank Capacity	15L
Dimension	
Wheel Size	426*600mm
Full Width	780mm
Machine Length	1600mm
Machine Height	1060mm
Packing size	1050*850*1200mm
Weight	
Working weight	330kg

model	SVH60
weight (KG)	640
Packing size (mm)	1600*850*1900
power (hp)	9.6KW
Fuel capacity (L)	2.7
Fuel type	gasoline
Vibration frequency	70(HZ)
Climbing ability	30%
speed(KM/h)	3.8
Linear static pressure	45(N/CM)
type	walk-behind dual-drum roller
Steel wheel size(mm)	380(D)X650(W)mm*2

Model Name	BRTN30T400
Engine Type	Two cylinder Petrol engine
Engine Brand	HONDA
Engine Power (HP)	20 (GX630)
Fuel Tank Capacity (L)	25
Certificate	CE, EPA, EuroV
Engine Start	Electrical start
Max Splitting Force (T)	30
Max Length of feeding wood (mm)	4000
Max Diameter of feeding wood (mm)	400
Max length of splitting wood (mm)	580
Max diameter of splitting wood (mm)	400
Wedge with Hydraulic Adjust	4-way
Length of Chainsaw (inch)	20
Split Cylinder Diameter (inch)	4
Min time of sawing down (s)	3
Adjustable height of wedge (mm)	150
Max lifting weight of lifter (kg)	400
Control valve	5-handle, 14-Directional
Hydraulic Oil Pump Flux (GPM)	22
Hydraulic Oil Tank Capacity (L)	42

Equipment Series



31.09.001

Model:AGT-HHW-76B

Electric Hydraulic Pipe Bender

Round Formers (mm):16, 19, 22, 25, 32, 38, 51, 63, 76 (5/8", 3/4", 7/8", 1", 1-1/4", 1-1/2", 2", 2-1/2", 3")
Square Formers (mm):16, 19, 22, 25, 30, 38, 40, 50 (5/8", 3/4", 7/8", 1", 1-3/16", 1-1/2", 1-37/64", 2")
Pipe Wall Thickness(mm): 0.5-2 (0.02-0.08")
Motor:220V/50Hz



30.66.001.001

Model:AGT-AJRS124

12' x 9' Heavy Duty Adjustable Rock Screen

Model:AJRS124
Working width (MM):3000
Minimum sieve stone diameter(mm):100
N.Weight(KG):975
Measurement(MM):3200*2250*2300



31.03.144

Model:AGT-ASGC-1000

Adjustable Steel Gantry Crane

Weight : 220.7 lbs
Measurement: 98.4*17.7*21.7in



31.03.145

Model:AGT-ASGC-2000

Adjustable Steel Gantry Crane

Weight : 418.9lbs
Measurement: 98.4*20.8*21.7in



31.03.146

Model:AGT-ASGC-4000

Adjustable Steel Gantry Crane

Weight : 496.1lbs
Measurement: 98.4*21.7*21.7in



31.03.147

Model:AGT-AAGC-2000-8F

Adjustable Steel Gantry Crane

Weight : 396.8 lbs
Measurement: 118.1*19.7*19.7in



31.03.148

Model:AGT-AAGC-2000-10F

Adjustable Steel Gantry Crane

Weight : 396.8 lbs
Measurement: 141.7*19.7*15.7in

Automotive Attachment



30.78.01.002

Model:ATK-B1000

Two post Base plater Auto lift /asymmetric

1. Symmetric telescoping reach arms provide versatile support positions.
2. Heavy-duty structural column with extra-large base to increase stability.
3. 10,000 lbs capacity.
4. Maximum lifting height: 72".
5. Maximum working width: 100".
6. Minimum height: 4-1 / 2".
7. Two-point manual lock release.
8. Hydraulic power unit.



31.07.003

Model:ATK-TC24

Tire Chop Machine

1. Classic horizontal swing arm.
2. Self-centering four-jaws with dual pneumatic cylinders for rim clamping.
3. Turntable clockwise and anti-clockwise rotation.
4. Step pedal control operation.
5. Plastic jaw cover for all wheel contact points.
6. Air regulator and oil lubricator.
7. Plastic protection mount/demount head.



31.07.010

Model:ATK-WB24A

Tire balancer

Rim Diameter: 10"-24"
Rim Width: 1-1 / 2"-16"
Balancing Speed: 220RPM
Maximum Wheel Weight: 154lbs
Accuracy: 1g (0.0022lb)
Voltage: 115V / 60HZ 8A
Maximum Tire Diameter: 39-3 / 8"



31.07.002

Model:ATK-TC26T

Truck Tire Picker

Rim Diameter: 14"-26" Max. wheel weight: 1103 lbs
Max. Wheel Width: 31" Max. Tire Diameter: 63"
Hydraulic Pump Motor: 220V 60HZ 2HP
Gearbox Motor: 220V 60HZ 2HP
Bead Breaker Force: 5512 lbs
Max. Torque: 6457 N.m
Operation Control Voltage: 24V
Power: 220 60HZ 1PH

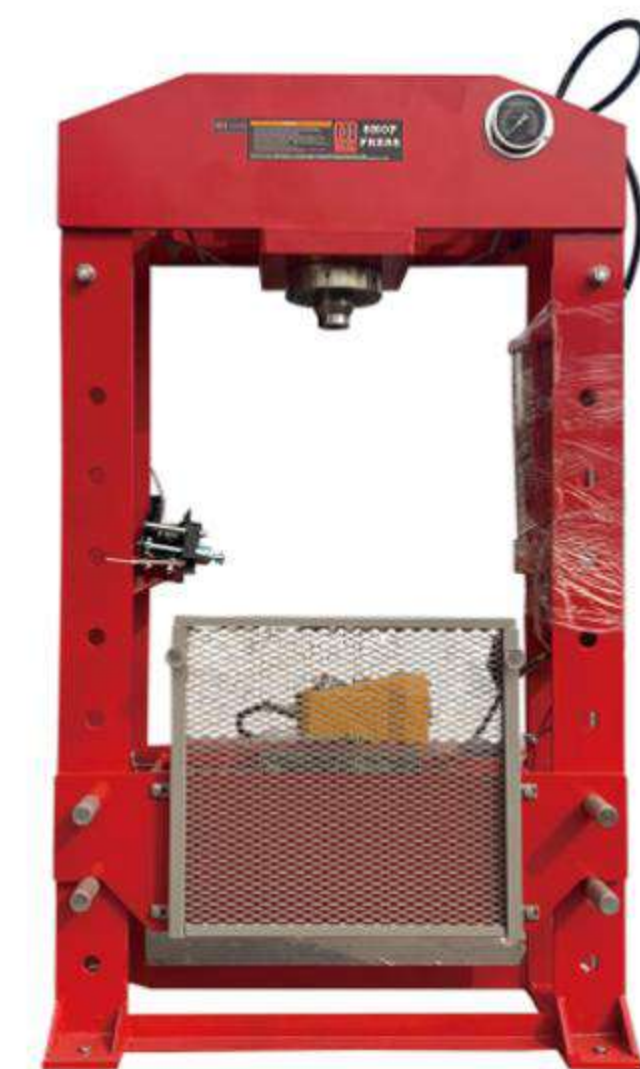


31.05.05.003/31.05.05.004

Model:AGT-SP50/AGT-SP75

Hydraulic Shop Press

Capacity: 50T Pressing force capacity: 75 ton
Max working distance: 32.3in Air pressure: 110-125 psi
Min working distance: 0.79in Cylinder bore: 5"
Stroke: 8.67in Ram stroke: 10"
Packing size: 74*37*15.7in Bed depth: 11.75"
Weight: 489.4lbs Bed width: 30"
Upright opening: 42.5"



31.05.05.005

Model:AGT-SP100

Hydraulic Shop Press

Continuous Force Capacity: 100 ton/ 220462.26 lbs
Vertical Working Opening: Up To 43-1/2"
Ram Travel Stroke: 11"
Sliding Head Side Travel Distance: 9"
Inside Bed Dimension: L32" x W11-3/4"
Cylinder Bore: 5"
Air Pressure: 110-125psi



31.05.05.006

Model:AGT-SP150

Hydraulic Shop Press

Item: SP150
Capacity: 150 Ton
Working Press(PSI): 150-165
Work Range (in.): 2-1/6" x 35-1/4"
Stroke Length(in.): 3-3/4"
Working Width(in.): 39-3/8"
Power Unit: 110 Volt, 60HZ, 2HP
Dimensions Lx W xH: 76-1/3" x 39-1/4" x 84-4/5"



31.03.116

Model:ZX0601B

2T Flodable SHOP CRANE

Capacity 4409Lbs Packing Size
Lifting Height 92.5 in 1# 53 x 12 x 6 in
Height of Crane 57 in 2# 29 x 23 x 3 in
Length of Height 61 in
G.W 128-209 Lbs



31.03.117

Model:AGT-ML

1500lbs MOTORCYCLE LIFT

Capacity: 1500 lbs
Construction: Welded Steel
Lift control: Hydraulic
Min Working Hook Height: 4.72"
Max Working Hook Height: 15.15"
Base Length: 31.50"
Overall Width: 14.17"
Packing Size: 33" x 16" x 6"

Accessories



30.14.09.001

Model:AGT-EX726

Forklift sleeve (extended fork sleeve) EX726

Extended Length:1830mm /72.04"
Suitable For Fork Width:150mm / 5.90"
Minimum Applicable Fork Length:1220mm / 48.03"
Weight:64kg / 141.09



31.01.014

Model:AGT-ST-SRT

12-16.5 solid tire with underwire tubeless

Model: 12-16.5
Pattern Depth: 48mm
Standard Rim: 9.75mm
Section Width: 276mm
Outer Diameter: 638mm
Maximum Fit : 8983.83lbs
Center Hole: 6.02"
Distribution Circle: 7.99"
Screw Hole: 5/16" x 3/4"



24.47.04.01.01.001

Model:AGT-RC72BLD

Lawn mower (SSRC72-01)

Material:60Si2Mn
Blade Length:350mm
Blade Width:60mm
Blade Thickness:8mm
Center Hole Size:diameter 30mm



31.01.035/31.01.036

Model:AGT-HQC1-2/AGT-HQC3-4

Hydraulic Quick Coupler



31.09.004

Model:AGT-HSZ-1000

Hand chain hoist-0.5T*3m

Weight : 24.6 lbs
Measurement: 11.8*7.9*0.65in



31.09.005

Model:AGT-HSZ-2000

Hand chain hoist-1T*3m

Weight : 24.6 lbs
Measurement: 11.8*7.9*0.65in



31.09.006

Model:AGT-HSZ-4000

Hand chain hoist-2T*3m

Weight : 30.9 lbs
Measurement: 11.8*7.9*0.65in



31.09.007

Model:AGT-GCT-1000

Hand-push trolley (anti-collision type)-0.5T

Weight : 11.0 lbs
Measurement: 9.1*8.7*6.7in



31.09.008

Model:AGT-GCT-2000

Hand trolley (anti-collision type)-1T

Weight : 17.6 lbs
Measurement: 9.8*9.8*7.1in

Accessories



31.09.009

Model:AGT-GCT-4000

Hand-push trolley (anti-collision type)-2T

Weight : 26.5 lbs
Measurement: 11.4*11.0*8.3in

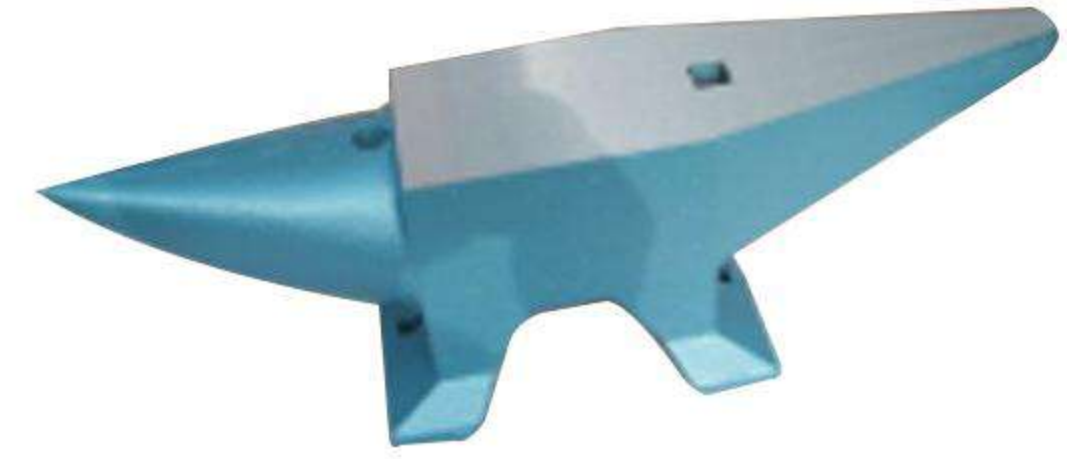


31.10.040

Model:AGT-BASA-24LB

Iron Anvil Blacksmith Cast 7.3" Length

Weight : 24.6 lbs
Measurement: 12.2*5.3*6.6in



31.10.046

Model:AGT-BASA-22LB

Blacksmith Anvil Steel Anvil

Weight : 22.0 lbs
Measurement: 14.9*5.1*5.1in



31.10.029

Model:AGT-2RTR-8

Ratchet Tight Rigging-5/16-3/8 2T (2RTR-8)

Weight : 105.8 lbs
Measurement: 16.9*16.9*8.3in



31.10.031

Model:AGT-2RTR-8

Chain rigging-8# chain 6m with double hook 2t

Weight : 105.8 lbs
Measurement: 16.9*16.9*8.3in



31.10.030

Model:AGT-3CR-8

Ratchet Tight Rigging-3/8-1/2 3T (3CR-8)

Weight : 152.1 lbs
Measurement: 17.7*1.7*0.9in



31.10.032

Model:AGT-3CR-8

Chain rigging-10# chain 6m with double hook 3t

Weight : 152.1 lbs
Measurement: 17.7*1.7*0.9in



31.10.033

Model:AGT-8CR

Chain rigging-8# chain 2m with double hook 3t(8CR)

Weight : 176.4 lbs
Measurement: 17.7*17.3*10.2in



31.09.010

Model:AGT-2000EW

Electric Winch-2000lbs 12V (2000EW)

Weight : 117.7 lbs
Measurement: 24.0*9.1*13.2in

Accessories



20.02.06.02.04.06.031

Model:AGT-T4-700PP

PTO SHAFT

Max Length: 33.46 Inches
Retracted Length: 27.55 Inches
Product Width: 5.5 Inches
Product Height: 5.5 Inches
Package Size: 6" x6" x29"
Undershelf Capacity : 19.84lb.
Steel Tube: 16Mn
Drive Shaft Material: 45 # Forged Pieces
Spline End: 1-3/8-in Z6, 1-3/8-in Z6

PTO Speed: 540rpm-1000rpm
PTO Torque: 460N.m-360N.m
Tractor Power: 35HP-53HP



20.02.06.02.04.06.032

Model:AGT-T4-1120PP

PTO SHAFT

Max Length: 58.26 Inches
Retracted Length: 44.09 Inches
Product Width: 5.5 Inches
Product Height: 5.5 Inches
Package Size: 6" x6" x45"
Undershelf Capacity : 26.34lb.
Steel Tube: 16Mn
Drive Shaft Material: 45 # Forged Pieces
Spline End: 1-3/8-in Z6, 1-3/8-in Z6

PTO Speed: 540rpm-1000rpm
PTO Torque: 460N.m-360N.m
Tractor Power: 35HP-53HP



20.02.06.02.04.16.006

Model:AGT-T4-1060AP

PTO SHAFT

Max Length: 55 Inches
Retracted Length: 41.73 Inches
Product Width: 5.5 Inches
Product Height: 5.5 Inches
Package Size: 6" x6" x42"
Undershelf Capacity : 23.59lb.
Steel Tube: 16Mn
Drive Shaft Material: 45 # Forged Pieces
Spline End: 1-3/8-in Z6, 1-3/8-in Round Hole

PTO Speed: 540rpm-1000rpm
PTO Torque: 460N.m-360N.m
Tractor Power: 35HP-53HP



20.02.06.02.04.10.022

Model:AGT-T4-1060EP

PTO SHAFT

Max Length: 53.8 Inches
Retracted Length: 41.73 Inches
Product Width: 7.1 Inches
Product Height: 7.1 Inches
Package Size: 8" x8" x43"
Undershelf Capacity : 37.26lb.
Steel Tube: 16Mn
Drive Shaft Material: 45 # Forged Pieces
Spline End: 1-3/8-in Z6, 1-3/8-in Friction Torque Limiter

PTO Speed: 540rpm-1000rpm
PTO Torque: 460N.m-360N.m
Tractor Power: 35HP-53HP



20.02.06.02.04.14.007

Model:AGT-T4-830HP

PTO SHAFT

Max Length: 41.16 Inches
Retracted Length: 32.67 Inches
Product Width: 5.5 Inches
Product Height: 5.5 Inches
Package Size: 6" x6" x34"
Undershelf Capacity : 23.15lb.
Steel Tube: 16Mn
Drive Shaft Material: 45 # Forged Pieces
Spline End: 1-3/8-in Z6, 1-3/8-in Shear Bolt Torque Limiter

PTO Speed: 540rpm-1000rpm
PTO Torque: 460N.m-360N.m
Tractor Power: 35HP-53HP



Model:AGT-10FT-30D-01B

10FT-30D-01B 30 Drawer Work Bench, 30 drawer

Product name : Toolbox
Product Model: 10ft-30d-01b
Product size : 2850x650x1900mm
Single drawer load capacity: 45kg
N.W:351kg
G.W:360kg
Package size: 2850x650x2050mm



Model:AGT-10FT-30D

10FT-30D

Product name : Toolbox
Product Model: 10ft-30d
Product size : 2850x650x900mm
Single drawer load capacity: 45kg
N.W:291kg
G.W:300kg
Package size: 2850x650x1050mm



Model:AGT-7FT-20D-01B

7FT-20D-01B 20 Drawer Work Bench, 20 drawer

Product name : Toolbox
Product Model: 7ft-20d
Product size : 2150x650x900mm
Single drawer load capacity: 45kg
N.W:193kg
G.W:200kg
Packing size: 2150x650x1050mm



Model:AGT-7FT-18hd

7FT-18hd

Product name : Toolbox
Product Model: 7ft-18hd
Product size : 2150x650x1900mm
Single drawer load capacity: 45kg
N.W:233kg
G.W:240kg
Packing size: 2150x650x2050mm

Accessories



Model:AGT-20FT-15D-2D

20FT-15D-2D

Product name : Toolbox
Product Model: 20ft-15d-2d
Product size: 2850x650x900mm
Single drawer load capacity: 45kg
N.W:231kg
G.W:240kg
Package size: 2850x650x1050mm



31.10.034

Model:AGT-BS

Bow Shackle - 4.75 tons (BS)

Weight : 171.9 lbs
Measurement: 18.9*12.6*11.8in



31.10.035

Model:AGT-BS

Bow shackle - 6.5 tons

Weight : 171.9 lbs
Measurement: 18.9*12.6*11.8in



31.10.036

Model:AGT-BS

Bow shackle - 8.5 tons

Weight : 171.9 lbs
Measurement: 18.9*12.6*11.8in



31.10.037

Model:AGT-BS

Bow shackle - 9.5 tons

Weight : 171.9 lbs
Measurement: 18.9*12.6*11.8in



31.10.038

Model:AGT-BS

Bow shackle - 12 tons

Weight : 171.9 lbs
Measurement: 18.9*12.6*11.8in



31.10.020

Model:AGT-ST3065V

Tent 306515ST (ST3065V)

Series Number: ST3065V
Size: 114.17 x 29 x 45 in
Weight: 2535.31 lbs
Sail Material: PVC
Roof Style: Peak Roof Style Truss Frame

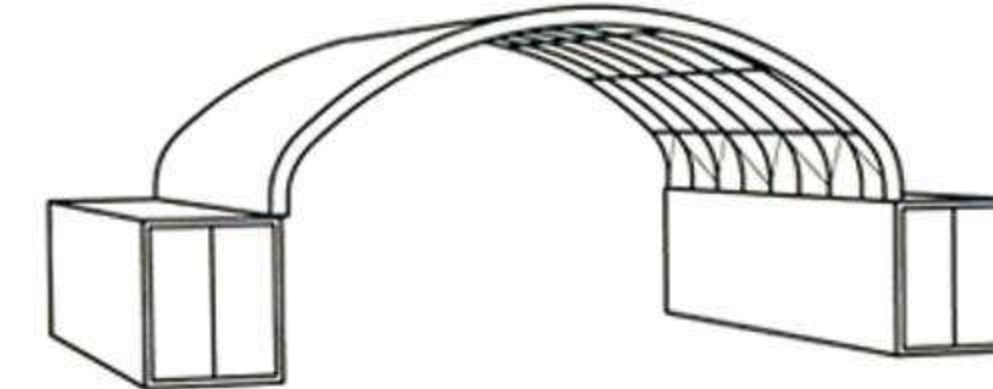


31.10.023

Model:AGT-ST4040C

Tent 4040CST (ST4040C)

40Ft x 40Ft / 12m x 12m
4040 Peak Roof Container Shelter
Width: 40Ft Length: 40Ft Height: 12Ft + container height



31.10.021

Model:AGT-ST4080V

Tent 4080CST(ST4080V)

Product Feature: High strength, easy assemble and dismounting, large capacity, excellent stability.
This product can be easily installed and removed and can be used anywhere, anytime...
Package: Metal Box with Customer's Labels. Beautiful and firm, conducive to handling, rustproof, waterproof and fireproof. Part Bag: Bolts, Rope, Steel Wire and manuals



PRODUCT CATALOGUE

Yancheng Cross machinery manufacture Co., Ltd

<https://agrotkindustrial.com/>

Email: admin@sino-cross.cn

Alternate phone: +86 151-9515-5858

+1 913-244-6269

Warehouse phone : + 1 773-927-8098

Address: 6200 S Oak Park Ave, Chicago,
Illinois 60638, United States

