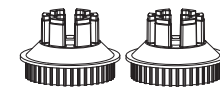


PULLEY CONVERSION KIT FOR CLOUDWHEEL INSTRUCTION MANUAL



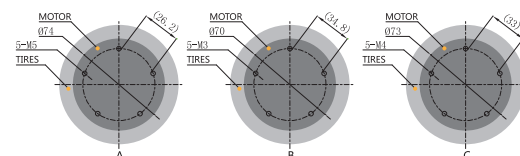
CONVERSION KIT LIST

PJ00601



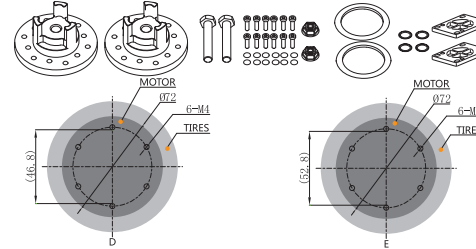
5M-39T

PJ00602



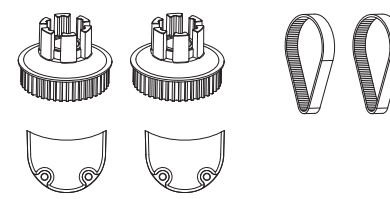
Please confirm that the end cover of hub motor is removed, the measured dimension is consistent with the figure, then the set is matched with your motor.

PJ00603



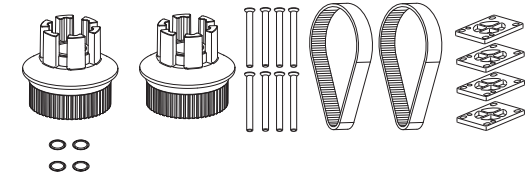
Please confirm that the end cover of hub motor is removed, the measured dimension is consistent with the figure, then the set is matched with your motor.

PJ00606



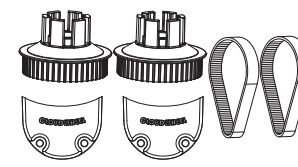
5M-44T
This kit only available for Exway boards

PJ00608



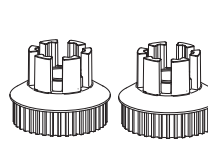
This kit only available for Boosted board mini s & mini x and V2&V3. You do not need to mount 4 x risers and 8 x screws when you mount them to boosted board V2&V3.

PJ00604



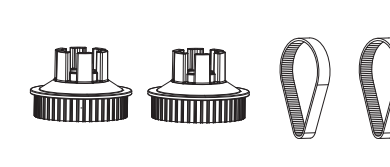
5M-40T
This kit only available for Evolve boards

PJ00605



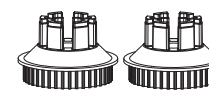
5M-37T
This kit only available for Backfire boards

PJ00607



5M-44T
This kit only available for Ownboard

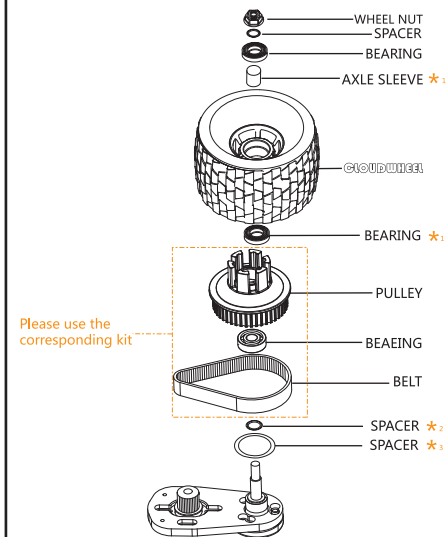
PJ00609



5M-36T
This kit only available for Exway boards

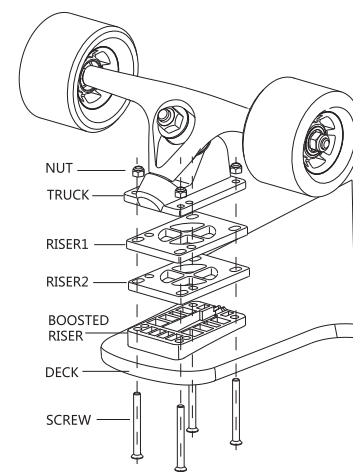
INSTALLATION STEPS FOR BELT MOTOR

Please take off the original wheels and mount Cloudwheels



- * Boosted board dose not need use this component
- * The quantity and specification of the spacer will be changed slightly according to different brands of Eboard
- * Only Boosted boards need this component

FOR REFERENCE

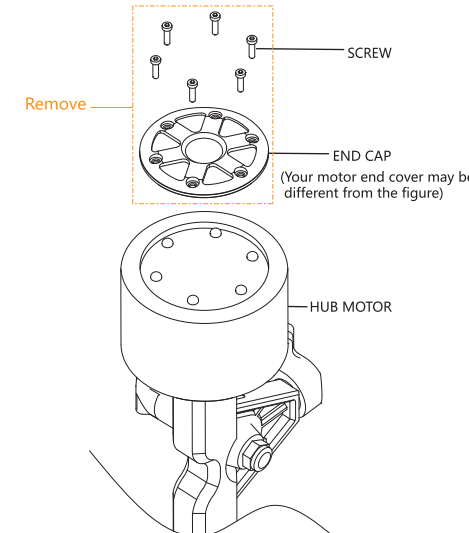


If the deck of your Eboard is similar to the Boosted board Mini and Mini x, please refer to the install risers to the truck.

INSTALLATION STEPS FOR HUB MOTOR

STEP1

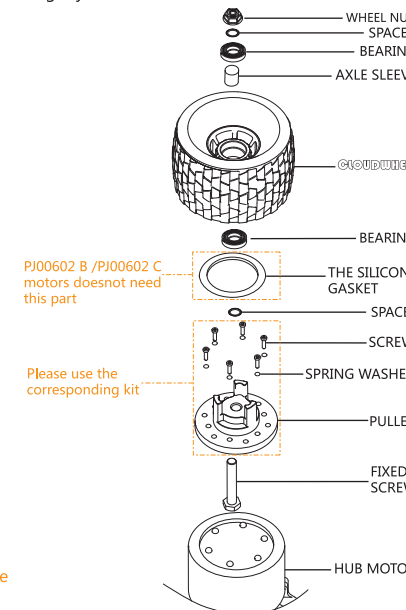
Please remove the metal end cover that holds the tire.



When cloudwheel is installed, if the wheels come into contact with the deck while turning under extreme conditions, please install the spare riser from the kit on your skateboard to solve this problem.

STEP2

Please install Cloudwheel on your hub motor; tires do not need to be removed. Depending on each kits, the parts inside of the kit will be slightly different.



INSTRUCTIONS

1. Depending on the kit you purchase, the parts included may slightly different from those shown in the diagram.
2. Please tighten the relevant screws and nuts during installation.
3. Please check the tightness of screws and nuts to this kit and Cloudwheel regularly, for safety.
4. The details of the parts shall be subject to the actual goods when received.
5. We reserve the right to change the specifications of the parts in the package according to the requirements of the products without prior notice.

Ningbo Wonder Power Tech Co.,Ltd

