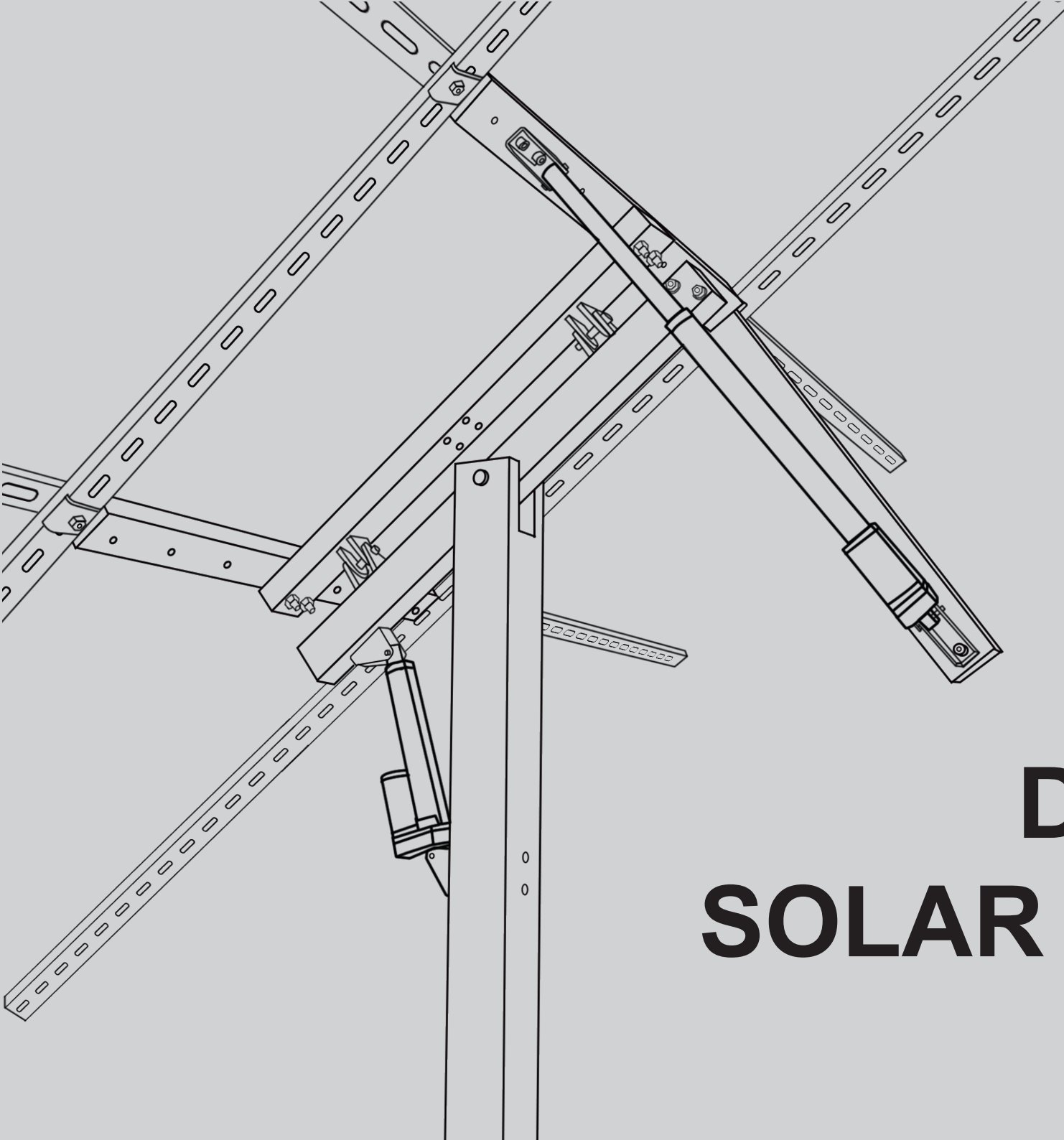




ECO-WORTHY



DUAL-AXIS SOLAR TRACKER

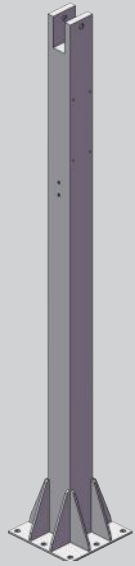
Manual

SAFETY PRECAUTIONS

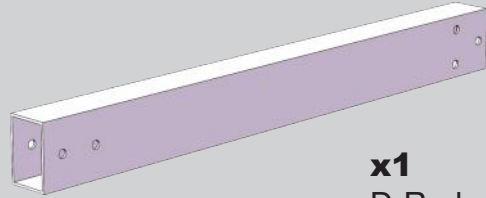
PLEASE READ CAREFULLY BEFORE PROCEEDING

- For the proper use and maintenance of this product, please read carefully and understand this instruction before installation.
- Make sure that the tracker system is installed on a solid concrete ground which is strong enough to hold the weight of all the tracker and solar panels.
- Make sure all the bolts and nuts are firmly tightened during the installation.
- To adjust the angle of the solar panels, loosen the side clamps and middle clamps first and then move the panels carefully. **DO NOT** adjust the solar panels by force.
- During long-time usage, some components might be loosened or corroded. For safety, please check the tracker regularly.

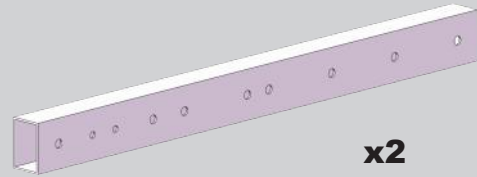
WHAT'S IN THE BOX



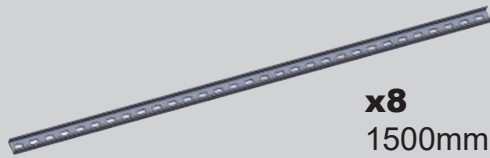
x1
Main Pole



x1
D-Rod



x2
E-Rod



x8
1500mm
Channel Steel



x1
300mm
Linear Actuator



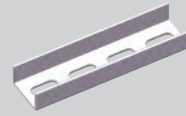
x1
150mm
Linear Actuator



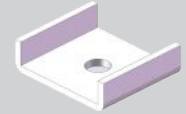
x1
Wind Speed
Sensor



x1
Sunlight
Sensor



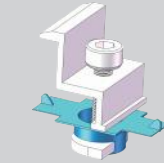
x2
U-Shaped
Connector



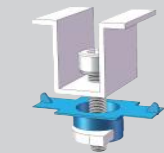
x8
U-Shaped
Locker



x8
Linear Actuator
Stand



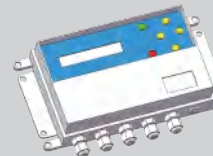
x10
Solar Panel
Side Clamp



x6
Solar Panel
Middle Clamp



x1
Sunlight sensor
Stand



x1
Solar Tracker
Controller



x8
M8*20
Socket Cap



x8
M10*20
Socket Cap



x16
M10*60
Socket Cap



x4
M10*100
Socket Cap



x1
M14*110
Socket Cap



x2
M6*12
Hex Cap



x1
M10*40
Hex Cap



x3
M10*90
Hex Cap



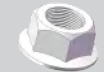
x4
M4*16
Hex Cap



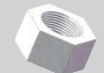
x8
Expansion
Bolt



x4
Latch



x2
Flange Nut



x34
Hex Nut



x62
Washer

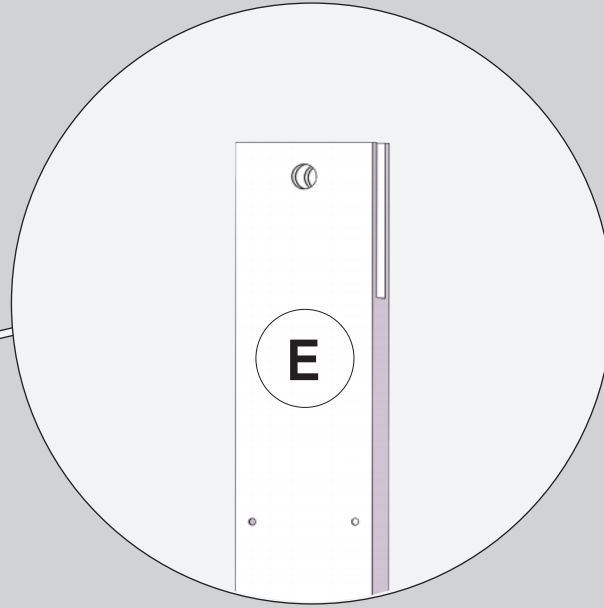
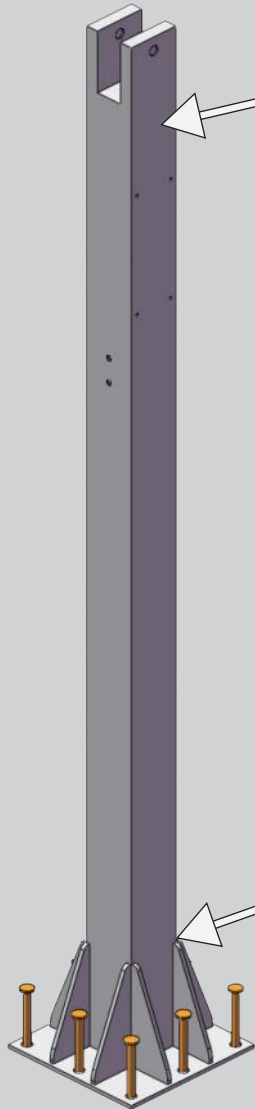


x34
Elastic
Washer

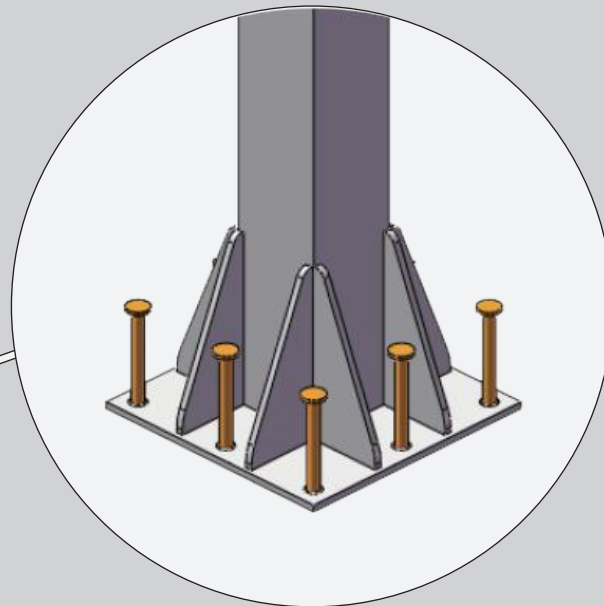
For the convenience of display, some of the bolts would be shown as a simplified figure. Please refer to the material box on the top of every step.



1

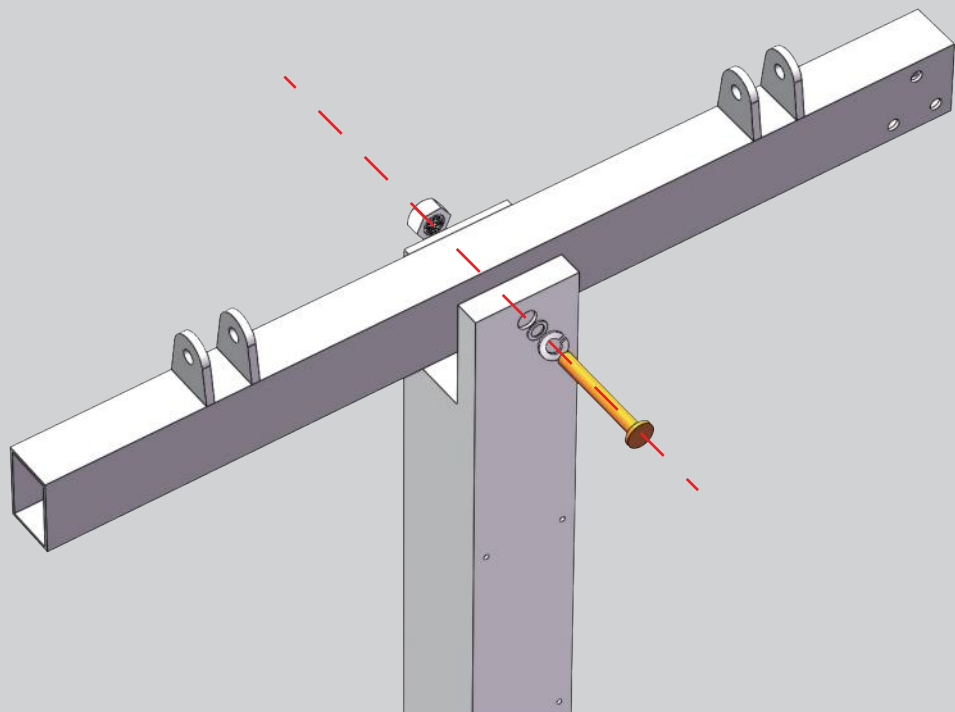


There are 4 signs (S,N,W,E) on the main pole to indicate the installation direction. Place the main pole correctly so that the the tracker can track the sun properly.

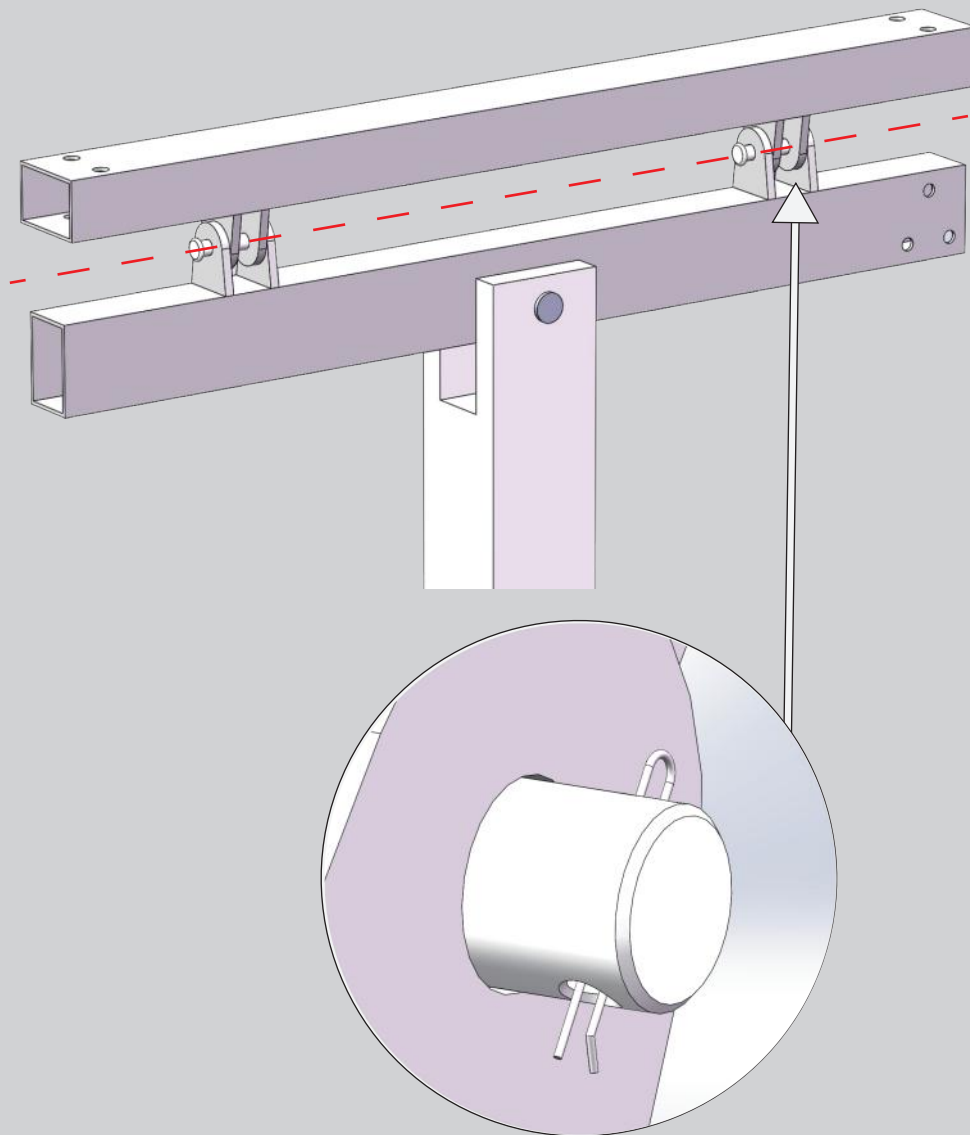
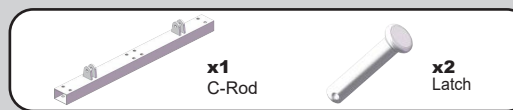


The main pole must be installed on solid concrete ground or pier with the expansion bolts.

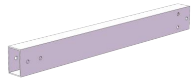
2



3



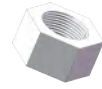
4



x1
D-Rod



x3
M10*90
Hex Cap



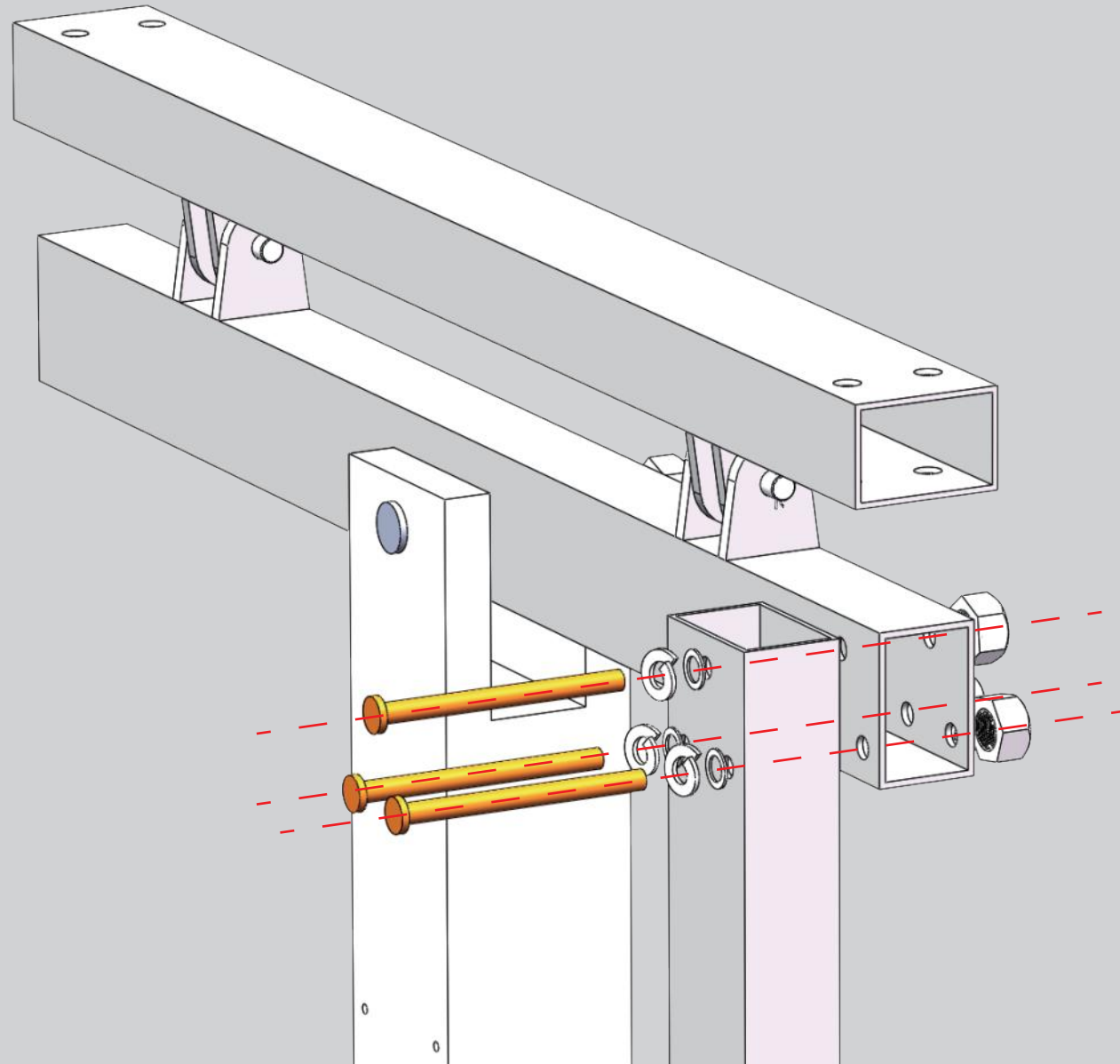
x3
M10
Nut



x3
M10
Washer



x3
Elastic
Washer



5

x2
E-Rod

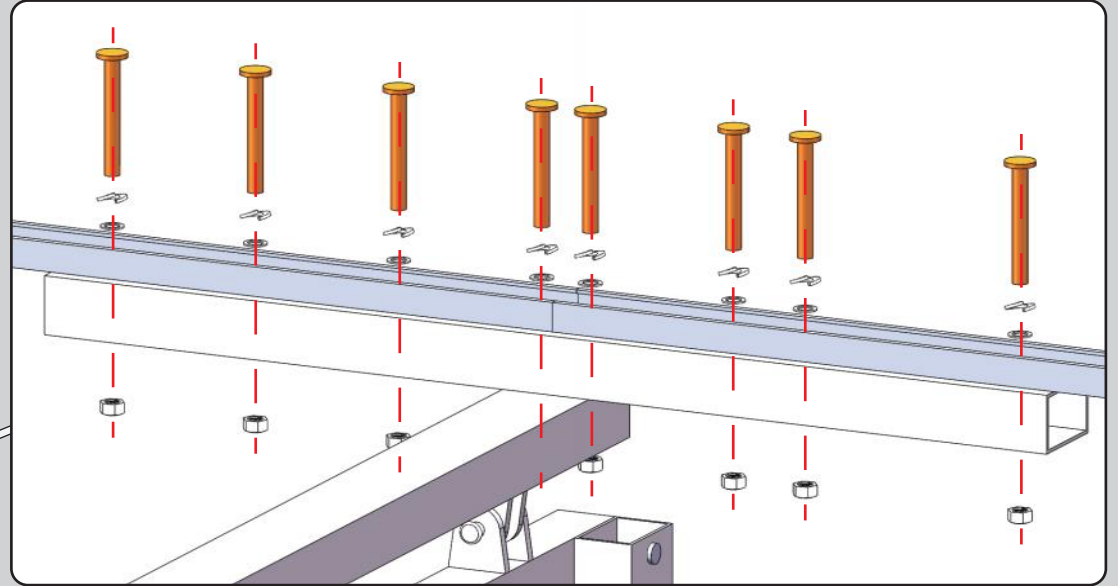
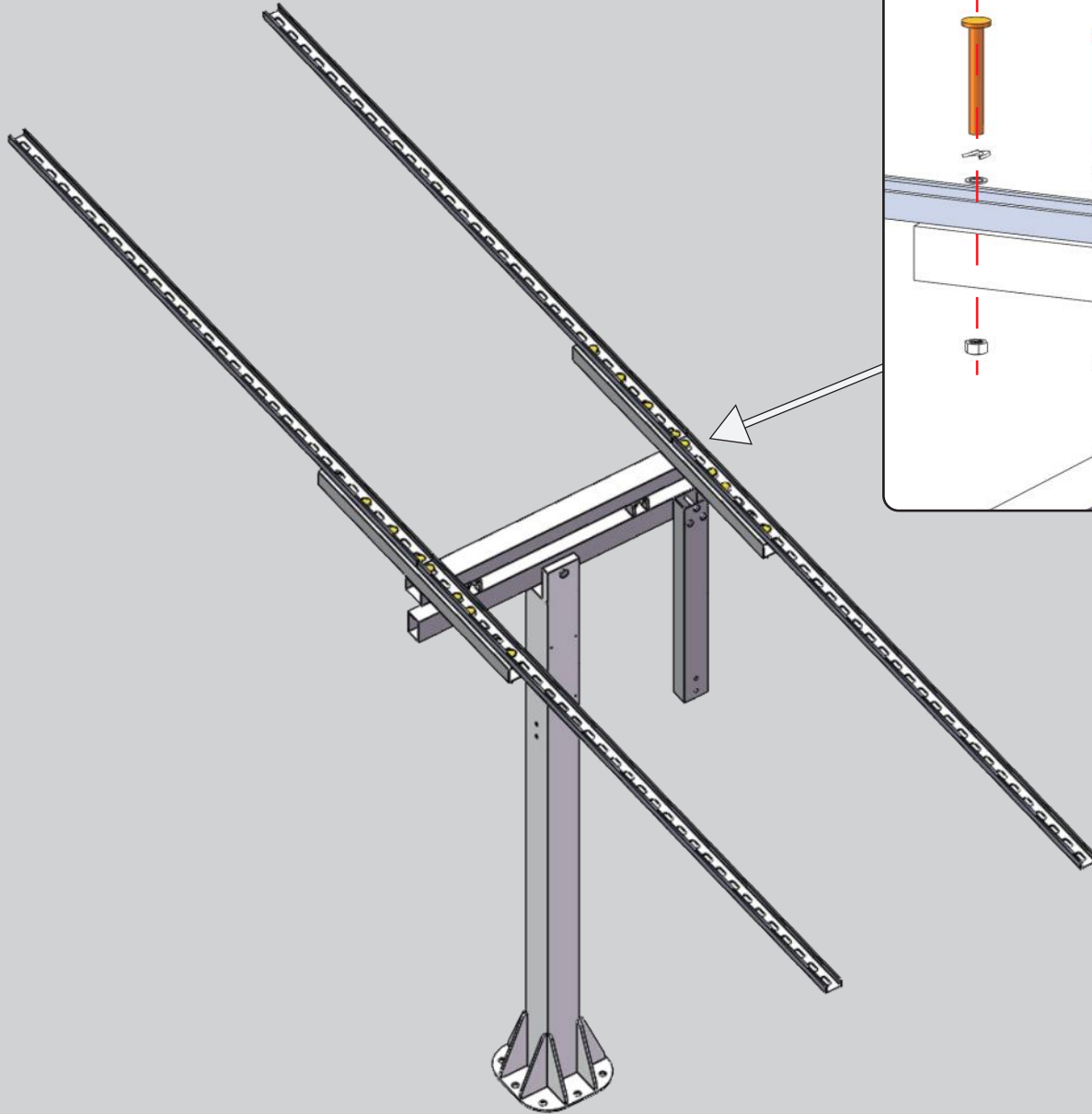
x4
1500mm
Channel Steel

x16
M10*100
Socket Cap

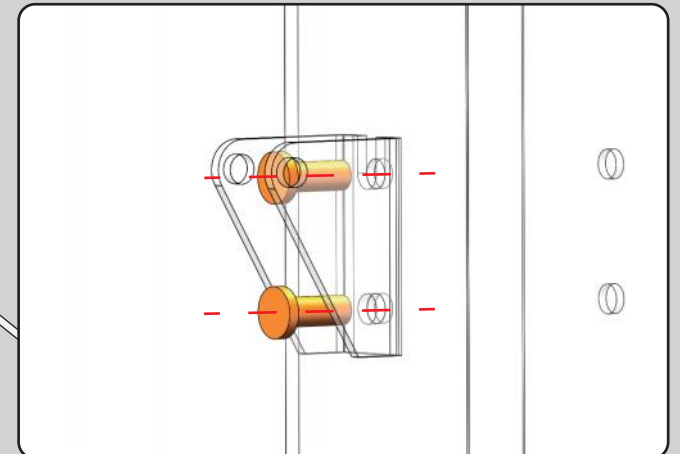
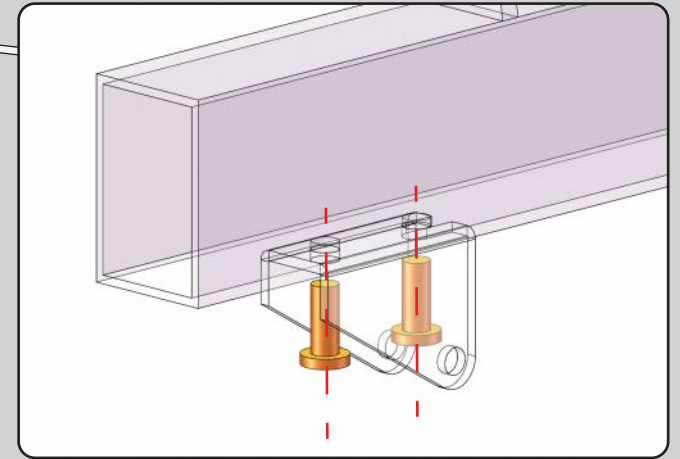
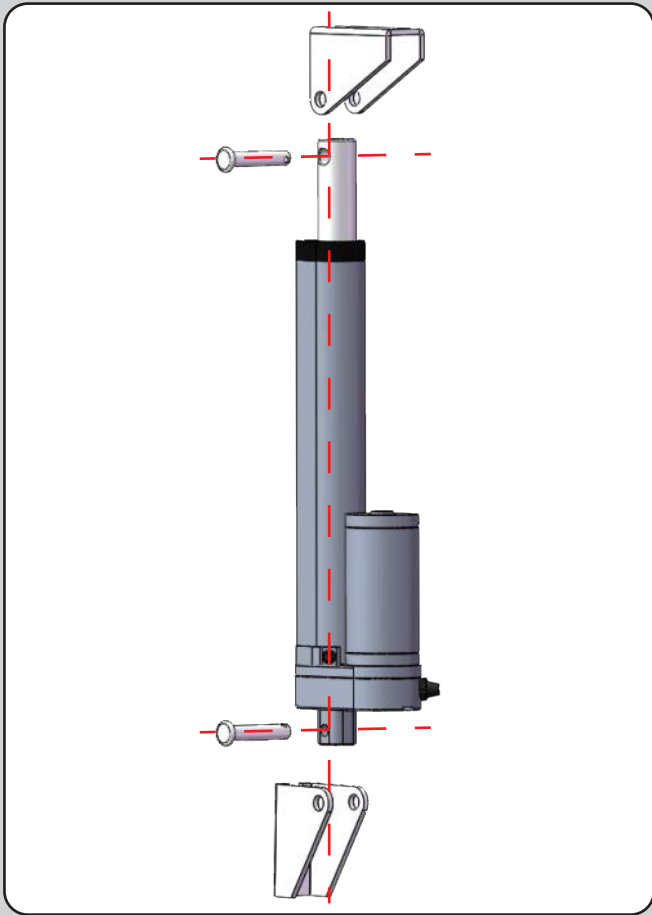
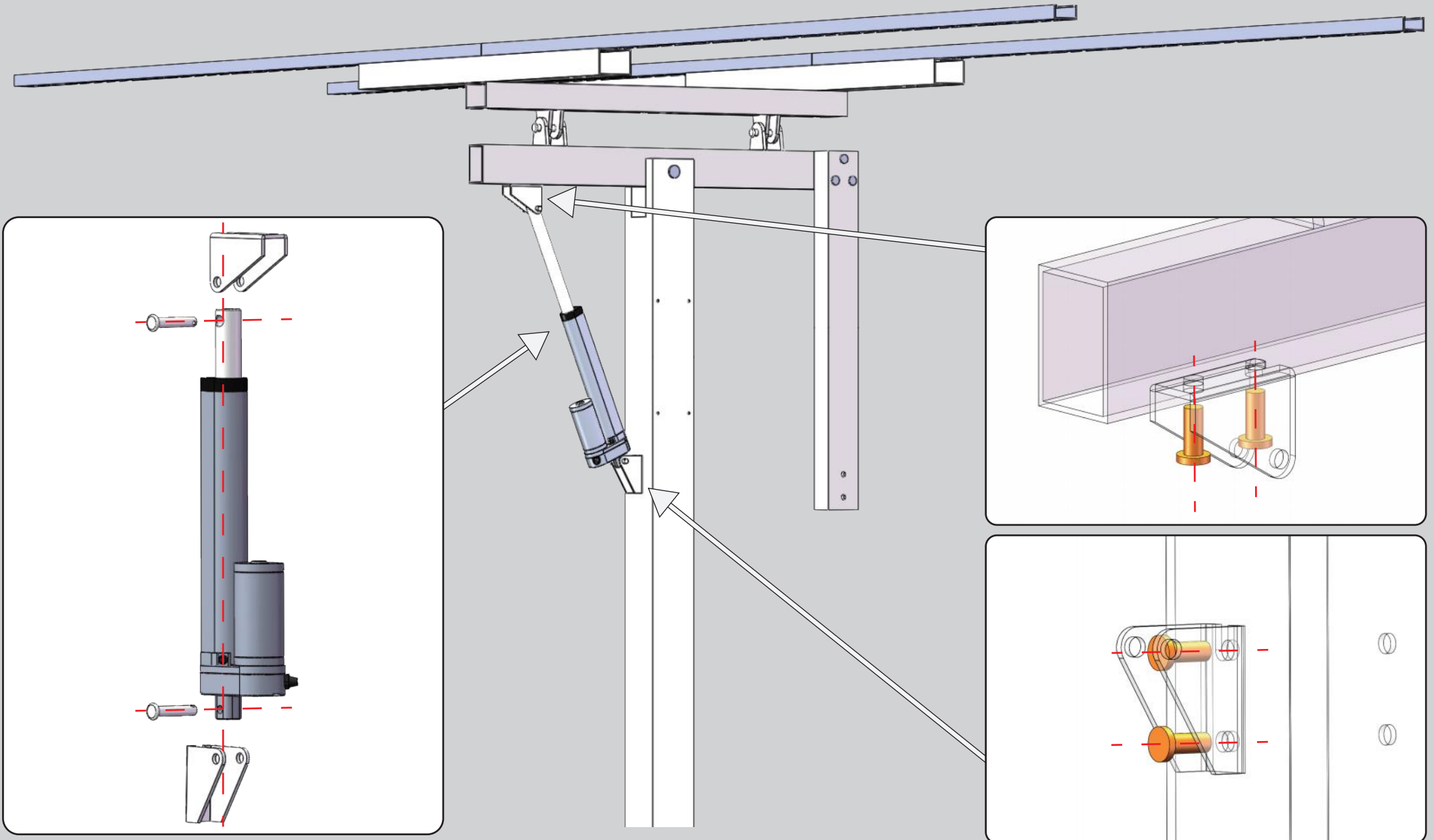
x16
M10
Hex Nut

x16
M10
Washer


x16
Elastic
Washer

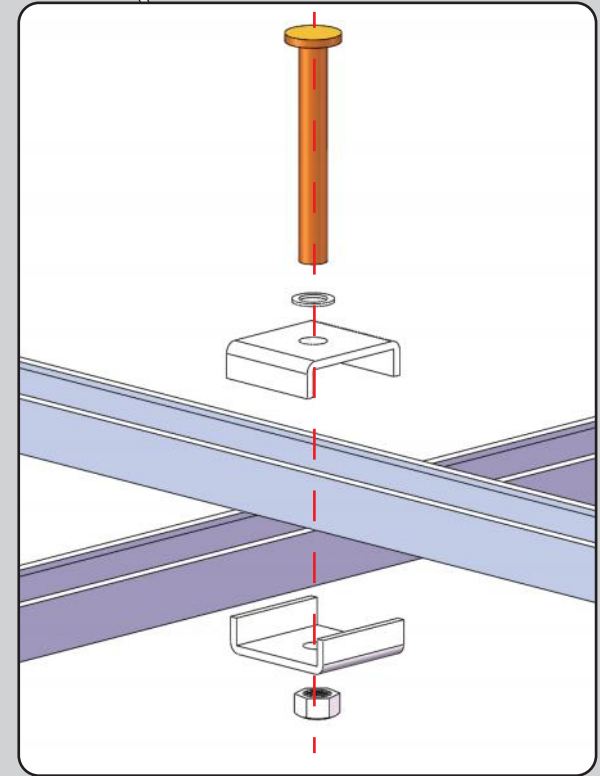
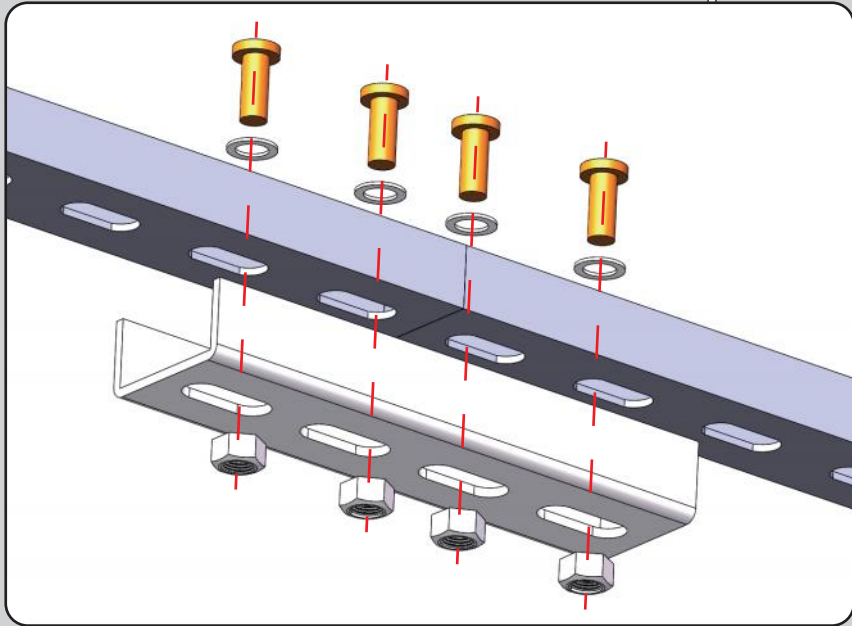
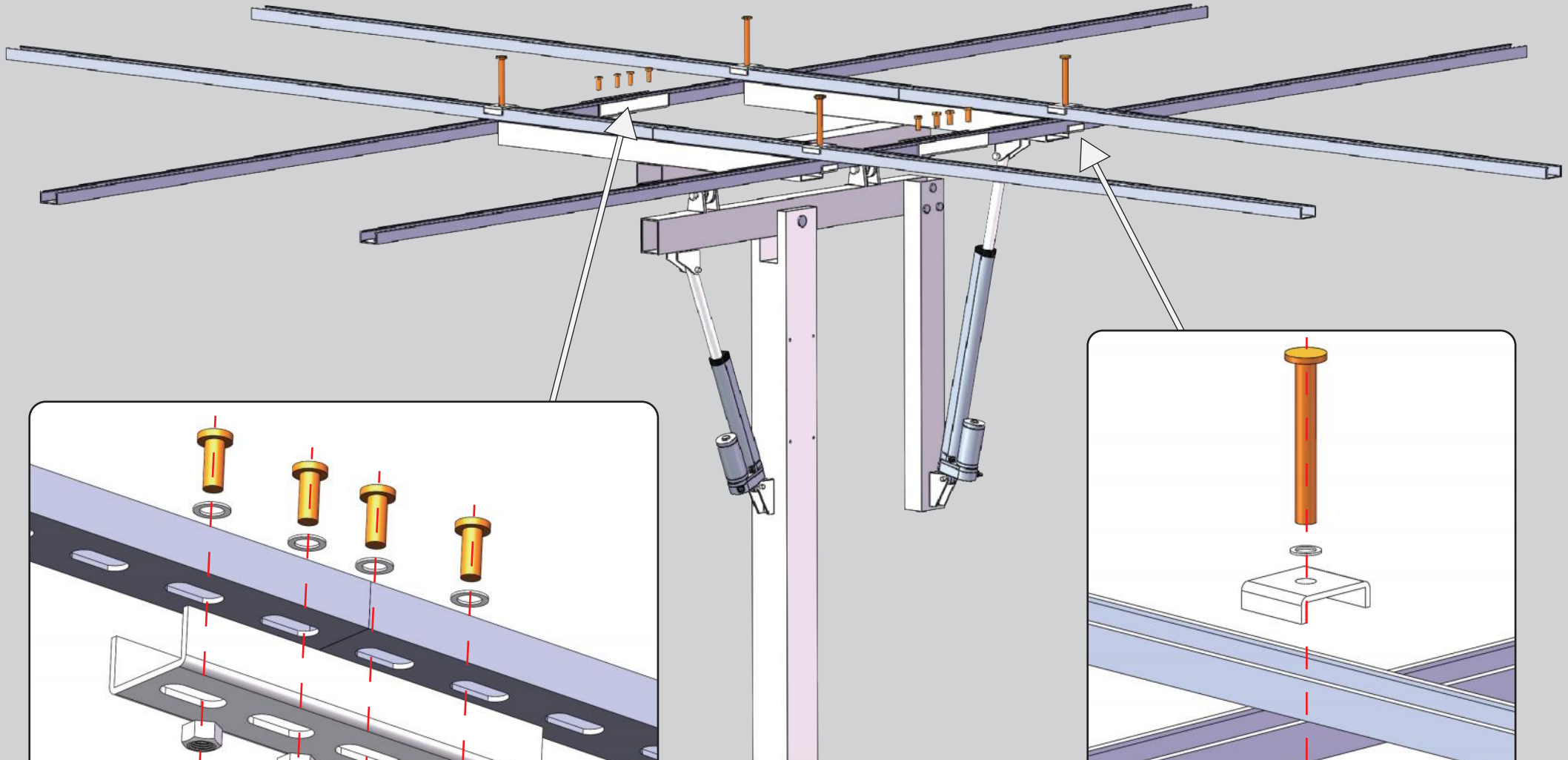


6



8

-  **x4**
1500mm
Channel Steel
-  **x2**
U-Shaped
Connector
-  **x8**
U-Shaped
Locker
-  **x4**
M10*20
Socket Cap
-  **x8**
M10*20
Socket Cap
-  **x4**
M10
Hex Nut
-  **x8**
M10
Flange Nut



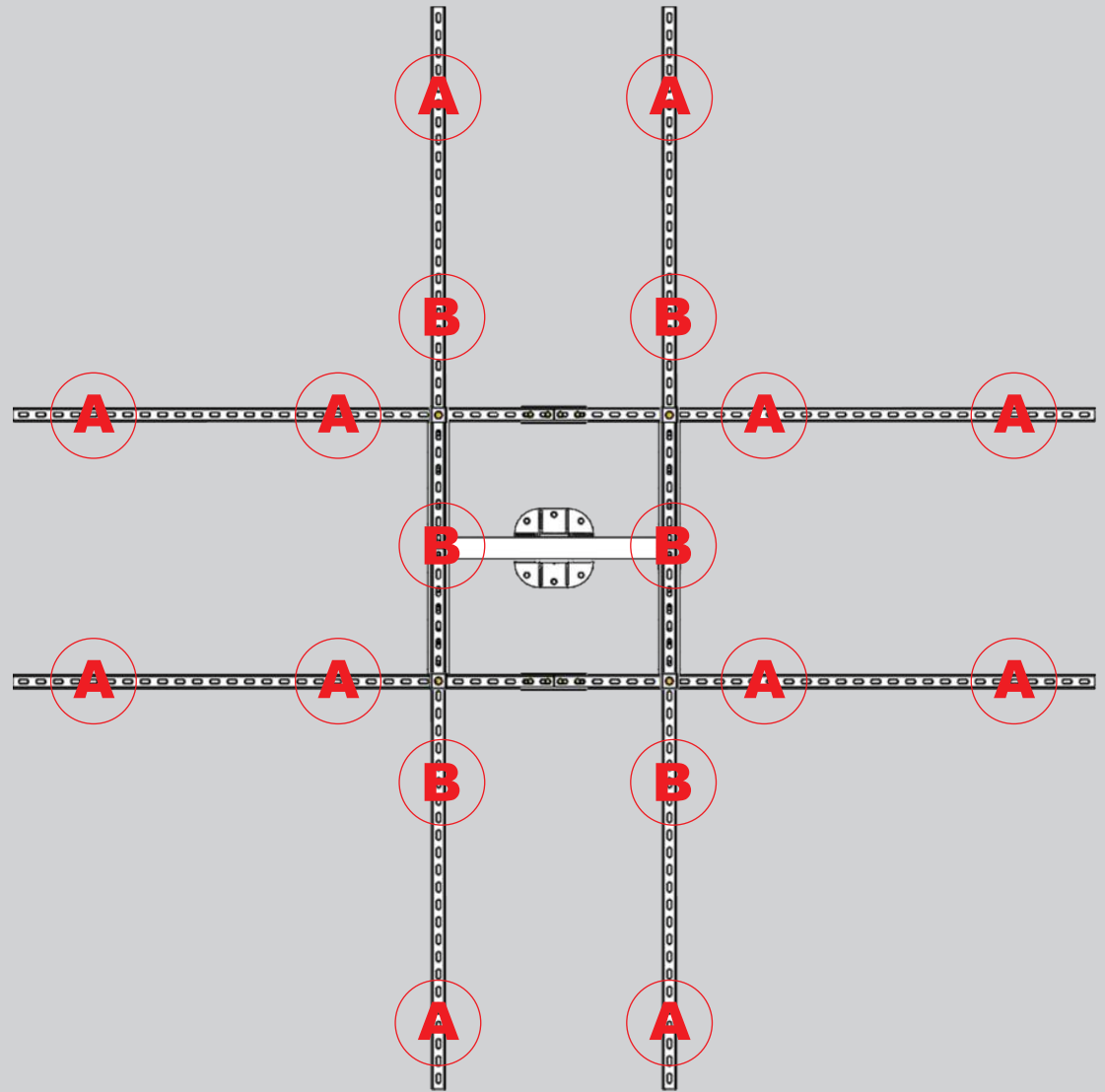
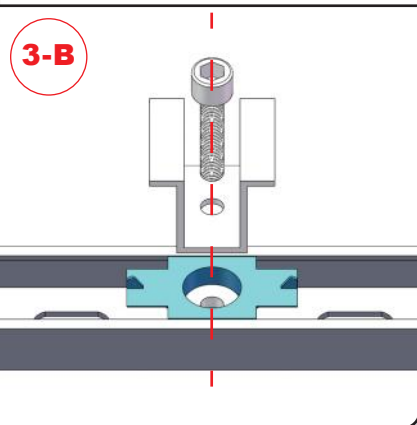
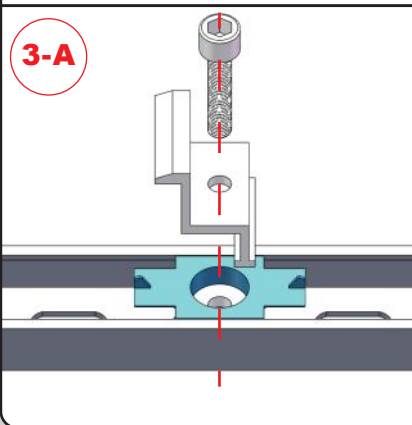
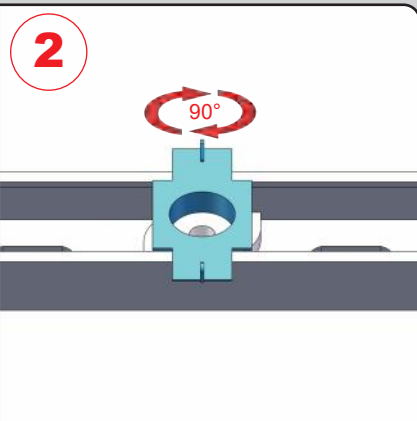
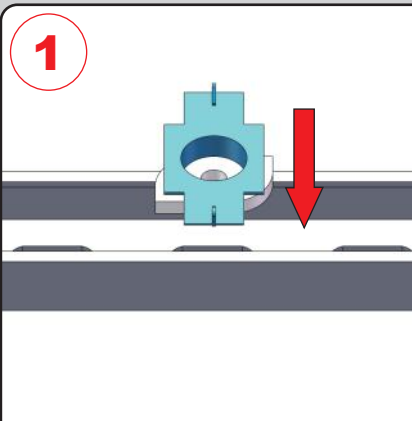
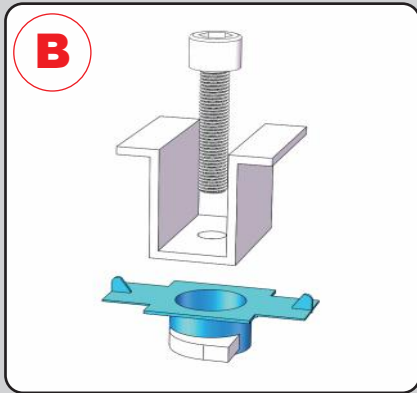
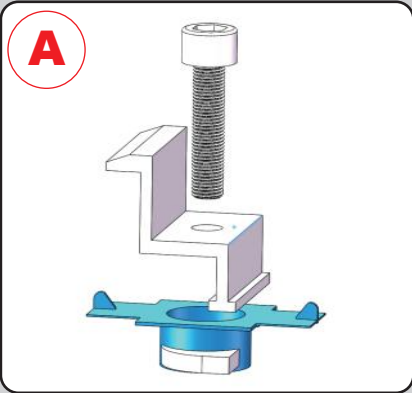
9



x10
Solar Panel
Side Clamp



x6
Solar Panel
Middle Clamp



10



x1
Sunlight
Sensor



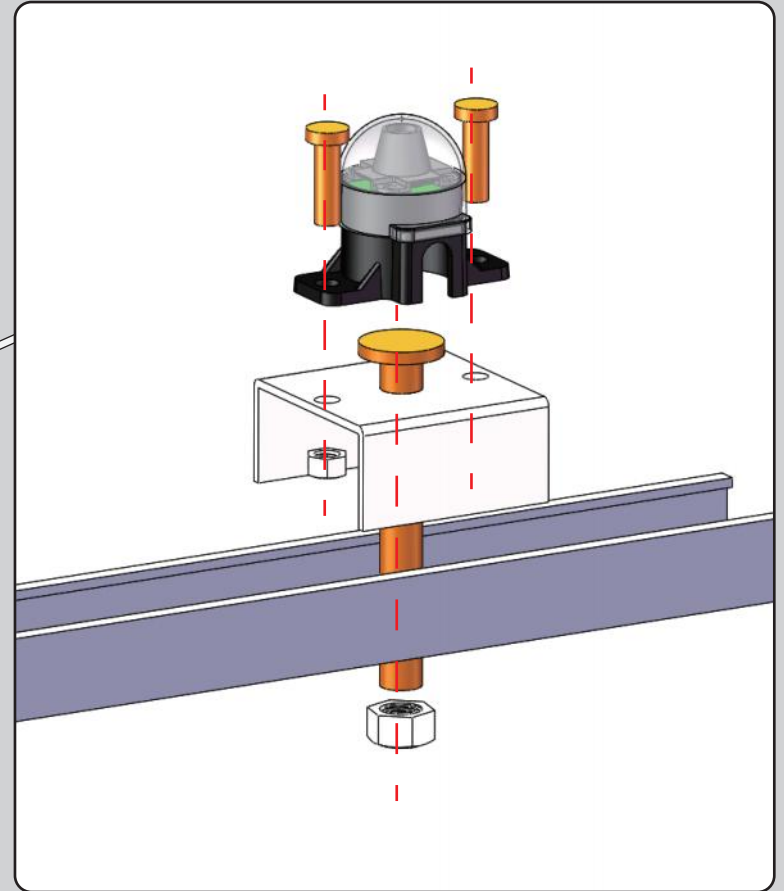
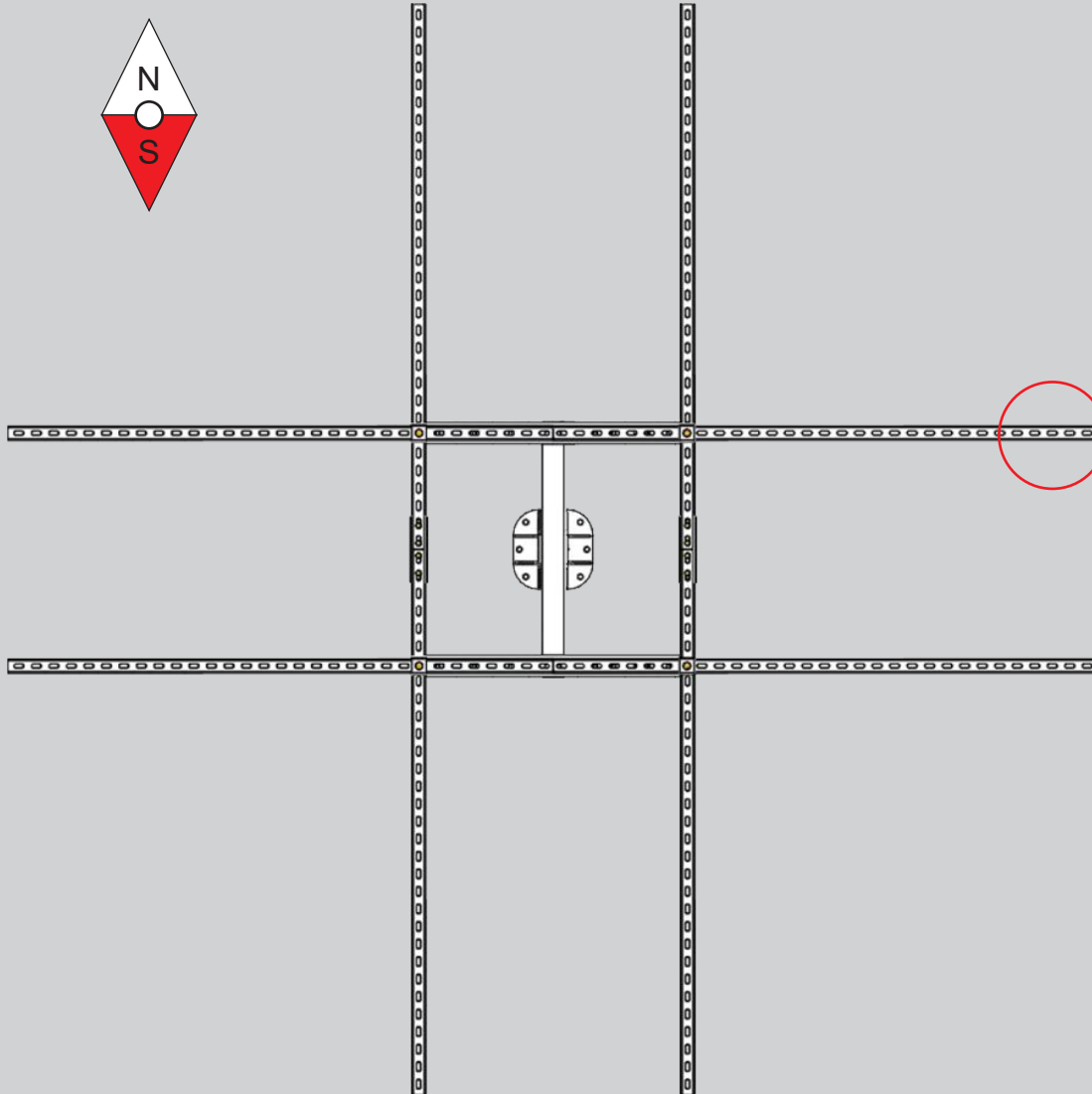
x1
Sunlight sensor
Stand



x2
M6*12
Hex Cap



x1
M10*40
Hex Cap



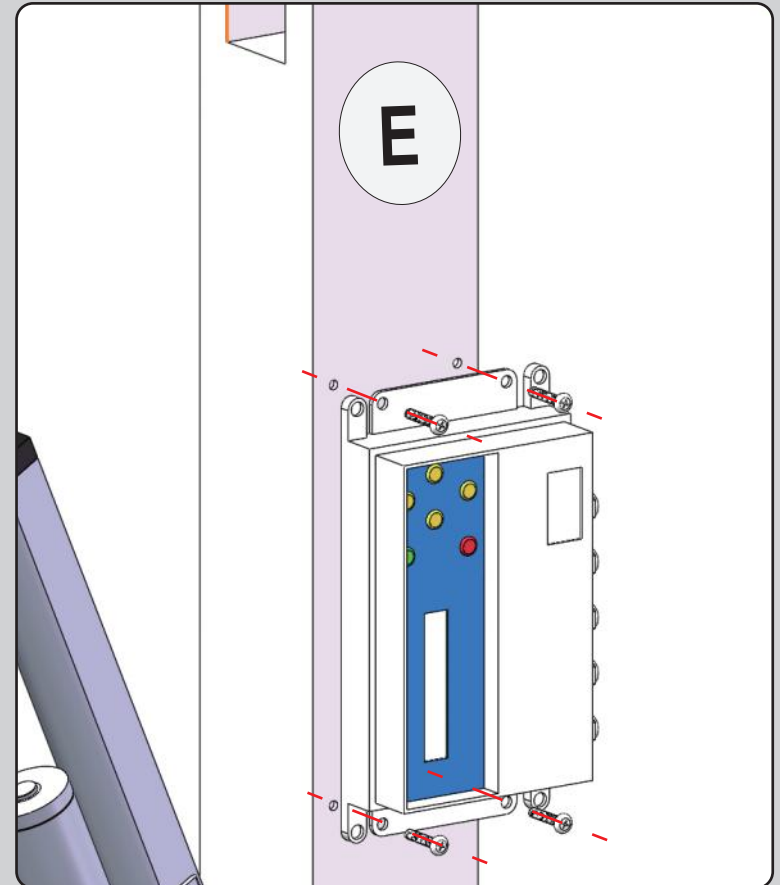
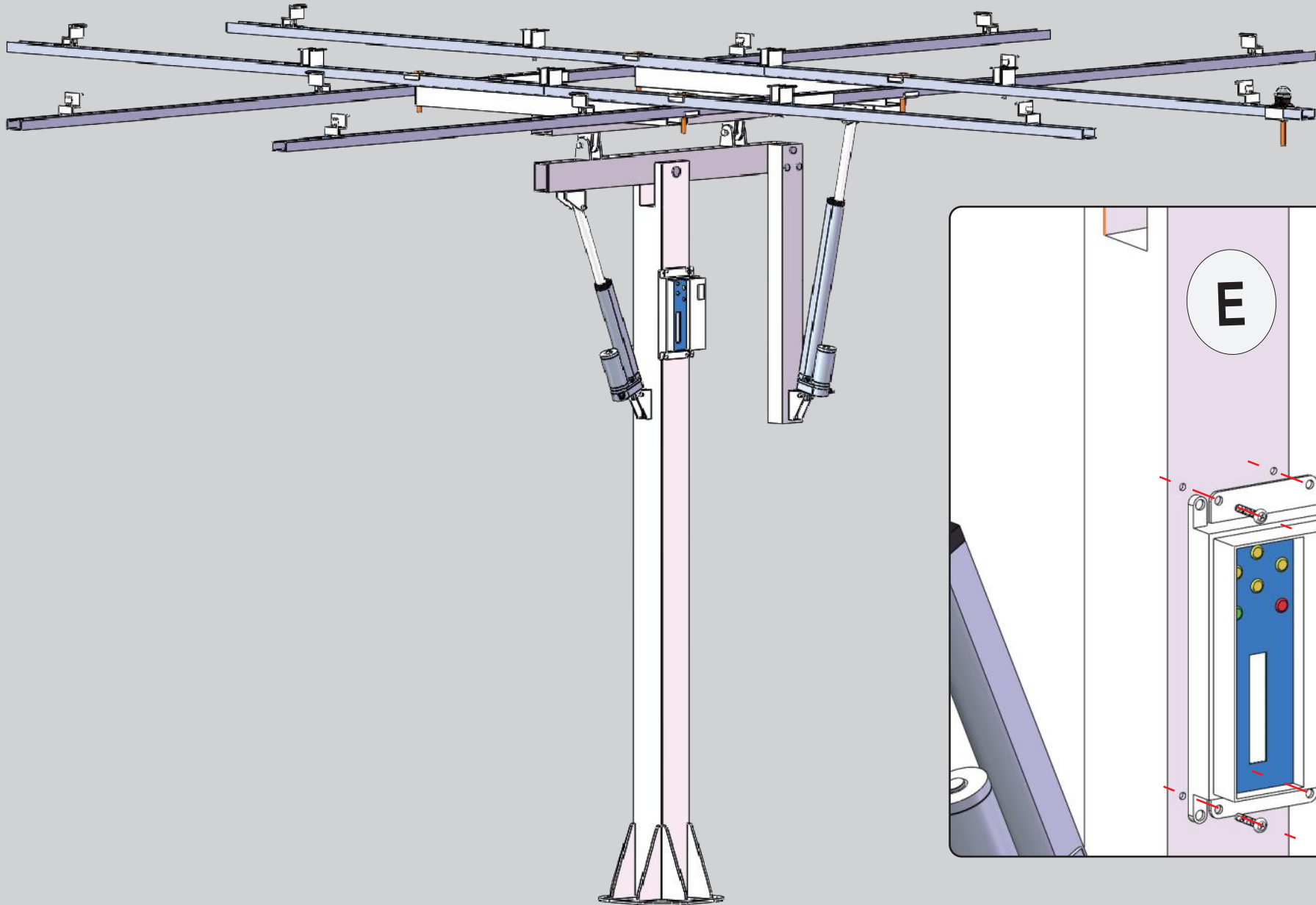
11



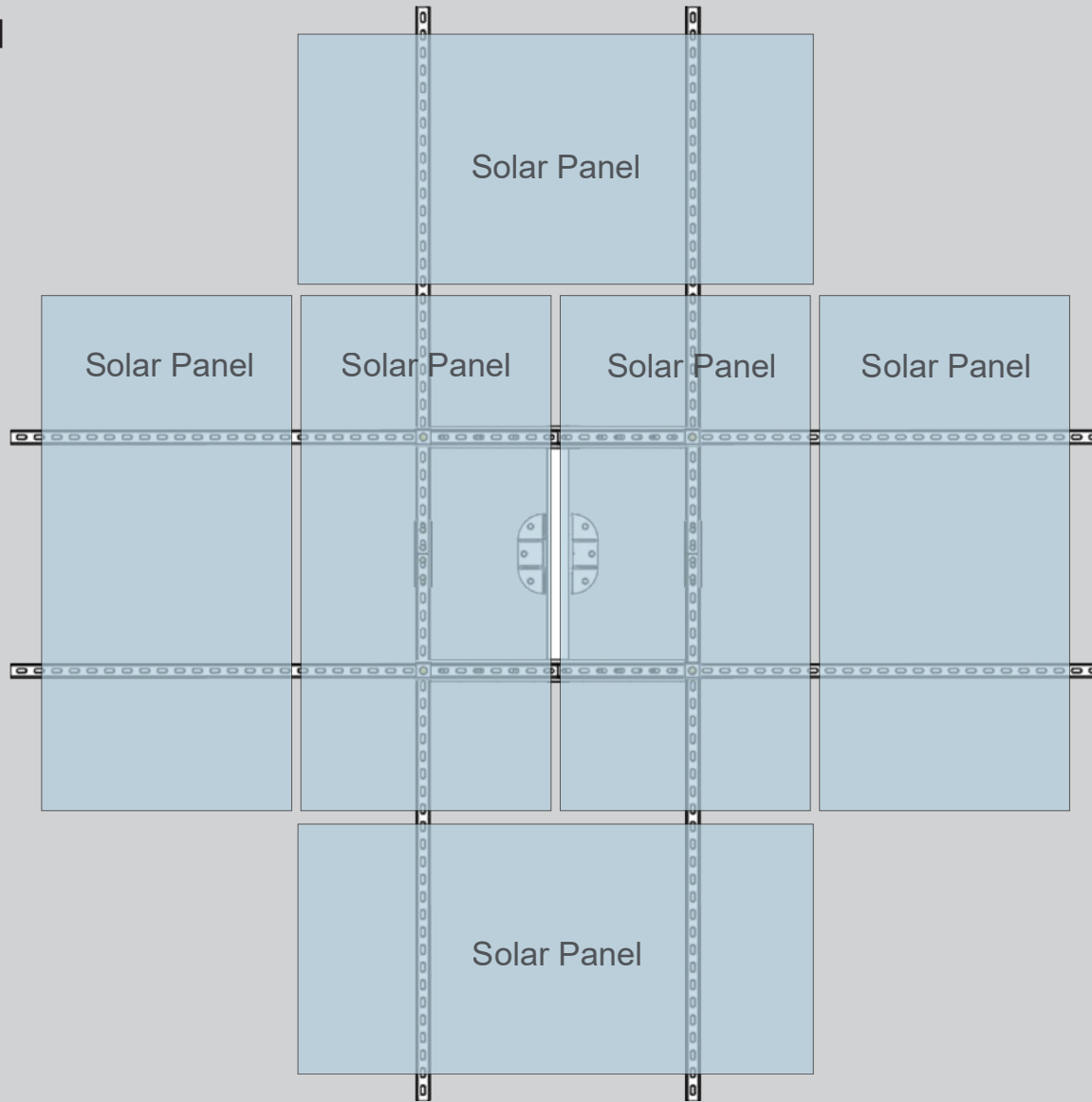
x1
Solar Tracker
Controller



x4
M4*16
Hex Cap

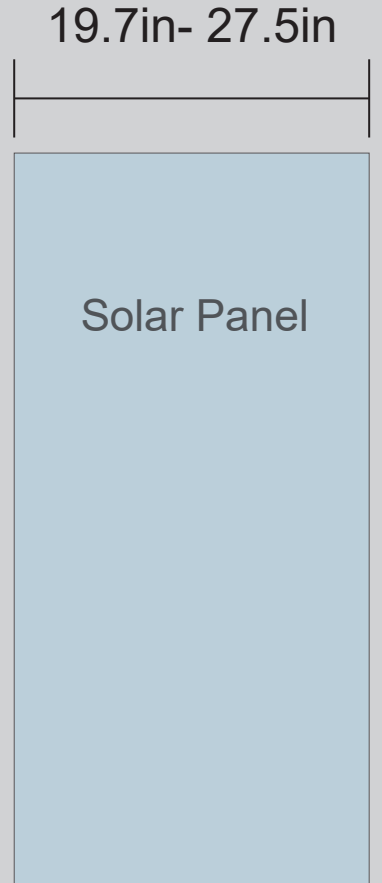


12



118.1in (3000mm)

118.1in (3000mm)



SUPPORT

- For the use of this manual and the conditions or methods of installation, operation, use, and maintenance of product are beyond ECO-WORTHY's control, ECO-WORTHY does not accept responsibility and expressly disclaims liability for any loss, damage, or expense arising out of or in any way connected with such installation, operation, use or maintenance.
- No responsibility is assumed by ECO-WORTHY for any infringement of patents or other rights of third parties, which may result from the use of the product.
- No license is granted by implication or otherwise under any patent or patent rights.
- The information in this manual is based on ECO-WORTHY's knowledge and experience and is believed to be reliable, but such information including product specification (without limitations) and suggestions do not constitute a warranty, expresses or implied.
- ECO-WORTHY reserves the right to change the manual, the products, the specifications, or product information sheets without prior notice.
- This product is covered by a 1 year warranty provided by ECO-WORTHY Ltd. We will refund or partial refund or replace any products with defects due to our imprudence. If you are experiencing technical problems and cannot find a solution in this manual, please contact ECO-WORTHY for further assistance.

Contact Number:

US: 1-866-939-8222

UK: +44 20 7570 0328

DE: +49 693-1090-113

Email:

customer.service@eco-worthy.com