

SUSTAINABLY SOURCED!



Virgin Paper Tissue-C Fold
BUY 1 @ \$2.15/bag

200pcs/bag
 Made from virgin paper 30gm, single-ply which comes from a sustainable and renewable forest source. Unfolded tissue size: 220mm (L) x 170mm (W)

FREE SAMPLES!	CODE	COLOUR
	992734	White

100% RECYCLED PAPER



Recycled Paper Tissue-C Fold
BUY 1 @ \$1.85/bag

200pcs/bag
 Made from recycled paper 36gm, single-ply. Unfolded tissue size: 220mm (L) x 170mm (W)

FREE SAMPLES!	CODE	COLOUR
	992736	White

SUSTAINABLY SOURCED!



POPULAR PICK!

Facial Tissue
BUY 1 @ \$1.70/bag

200pcs/bag
 Soft and super absorbent 2-ply facial tissue with superior tensile strength. Does not rip easily even when wet, and no dust particles. Size: 220mm (L) x 170mm (W)

FREE SAMPLES!	CODE	COLOUR
	992708	White



Tissue Paper Dispenser
BUY 1 @ \$8.45/each

Fits Paper Tissue C-Fold with the dimensions 220mm (L) x 170mm (W).
 Dispenser Size: 330mm (L) x 250mm (W) x 18mm (H)

CODE	COLOUR
992729	White



Benchtop Towel Dispenser
BUY 1 @ \$16.50/each

Fits Paper Tissue C-Fold with the dimensions 220mm (L) x 170mm (W).
 Dispenser Size: 243mm (L) x 125mm (W) x 85mm (H)
Cleaning instructions:
 Use only soap and water on acrylic surface. Alcohol or ammonia-based disinfectants may cause cracks to appear.

CODE	COLOUR
992728	Clear



Neon Paper Cups-5oz (150ml)

BUY 1 @ \$29.95/box

1000pcs/box

NuMedical eco-friendly 5 oz. paper cups are made with less paper materials to conserve more natural resources! Each paper cup is made using 170g of food-grade paper and 12g of food-grade poly material. White/Blue/Green/Purple/Red 200pcs per color.

**FREE
SAMPLES!**

CODE	COLOUR
990419	Assorted



Paper/Plastic Cup Dispenser

BUY 1 @ \$11.95 each

Designed for 4 oz, 5 oz and 7 oz paper and plastic cups. Size: 415mm (H) x 90mm (D)

CODE	COLOUR
990412	Clear



Paper Cups-7oz(210ml)

BUY 1 @ \$49.50/box

1000pcs/box

NuMedical eco-friendly 7 oz. paper cups are made using 210g of food-grade paper and 12g of food-grade poly material.

**FREE
SAMPLES!**

CODE	COLOUR
990473	Flora Blue



Paper Cups-5oz (150ml)

BUY 1 @ \$31.50/box

1000pcs/box

NuMedical eco-friendly 5 oz. paper cups are made with less paper materials to conserve more natural resources! Each paper cup is made using 170g of food-grade paper and 12g of food-grade poly material.

**FREE
SAMPLES!**

CODE	COLOUR
990447	Flora Blue

POPULAR PICK!



Non-Woven Gauze, Non-sterile

Made from 70% rayon and 30% polyester. 4-ply, lint-free and highly absorbent.

FREE SAMPLES!

CODE	Size	Weight	Qty	BUY 1
992823	50mm(L) x 50mm(W)	30gm	200pcs/pack	\$1.32/pack
992824	75mm(L) x 75mm(W)	30gm	200pcs/pack	\$2.65/pack
992825	100mm(L) x 100mm(W)	30gm	200pcs/pack	\$4.75/pack
992820	50mm(L) x 50mm(W)	40gm	200pcs/pack	\$1.65/pack
992821	75mm(L) x 75mm(W)	40gm	200pcs/pack	\$3.30/pack
992822	100mm(L) x 100mm(W)	40gm	200pcs/pack	\$6.60/pack



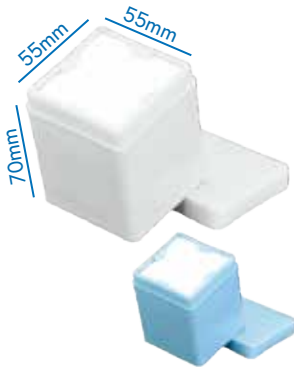
Sterile Non-Woven Sponge

BUY 1 @ \$18.95/box

3pcs/pack, 120packs/box
Made from 70% rayon and 30% polyester, lint-free and highly absorbent. Sterilised and individually packed.

FREE SAMPLES!

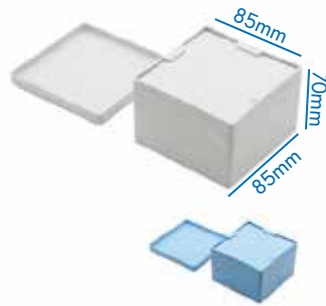
CODE
992817



Sponge Dispenser
BUY 1 @ \$6.75 each

Suitable for 50mm x 50mm sponges. Spring-loaded. Autoclavable up to 135°C. Size: 55mm (L) x 55mm (W) x 70mm (H)

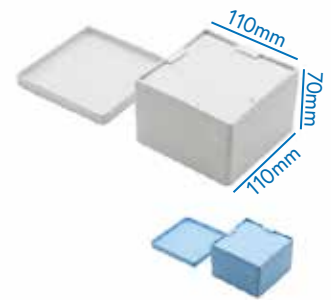
CODE	COLOUR
992832	Ivory
992831	Blue



Sponge Dispenser
BUY 1 @ \$9.95 each

Suitable for 75mm x 75mm sponges. Spring-loaded. Autoclavable up to 135°C. Size: 85mm (L) x 85mm (W) x 70mm (H)

CODE	COLOUR
992836	Ivory
992835	Blue



Sponge Dispenser
BUY 1 @ \$12.65 each

Suitable for 100mm x 100mm sponges. Spring-loaded. Autoclavable up to 135°C. Size: 110mm (L) x 110mm (W) x 70mm (H)

CODE	COLOUR
992833	Ivory
992834	Blue

POPULAR PICK!



Non-woven Roll Sponge

BUY 1 @ \$5.95/roll

90pcs/roll

Made from 70% rayon and 30% polyester, lint-free and highly absorbent. Weight: 50gm/sqm
Size: 230mm (L) x 220mm (W)

FREE SAMPLES!

CODE	COLOUR
993939	White

POPULAR PICK!



Cotton Tip Applicators

BUY 1 @ \$0.85/bag

100pcs/bag

Non-sterile, made from all wood dowels with very tight 100% cotton bud to minimise linting. Non-shredding. Comes in a sealed autoclavable bag with indicator. Biodegradable and recyclable. Size: 80mm (L)

CODE
993764

POPULAR PICK!



Cotton Tip Applicators

BUY 1 @ \$1.05/bag

100pcs/bag

Non-sterile, made from all wood dowels with very tight 100% cotton bud to minimise linting. Non-shredding. Comes in a sealed autoclavable bag with indicator. Biodegradable and recyclable. Size: 150mm (L)

CODE
993765



PE Tape, 12.5mm

BUY 1 @ \$11.95/box

24 rolls/box

Non-Allergy PE Tape. Ideal to hold or secure bandages and wraps in place with excellent adhesion while gentle on skin.

Size: 9.1 Metre (L) x 12.5mm (W)

CODE	COLOUR
993930	Clear



PE Tape, 25mm

BUY 1 @ \$11.95/box

12 rolls/box

Non-Allergy PE Tape. Ideal to hold or secure bandages and wraps in place with excellent adhesion while gentle on skin.

Size: 9.1 Metre (L) x 25mm (W)

CODE	COLOUR
993931	Clear



Non-Woven Tape

BUY 1 @ \$8.95/box

Non-woven tape. Ideal to hold or secure bandages and wraps in place with excellent adhesion while gentle on skin.

Available in 2 sizes:

993932: 9.1M (L) x 12.5mm (W)

993933: 9.1M (L) x 25mm (W)

CODE	SIZE	QTY
993932	9.1m (L) x 12.5mm (W)	24 rolls
993933	9.1m (L) x 25mm (W)	12 rolls

100% RECYCLED PAPER



2-Ply Disposable Sheet

BUY 1 @ \$9.35/roll

1-Ply tissue + 1-Ply poly disposable sheets. 70 Metre (L) per roll, 140 sheets and perforated at 500mm. Size: 510mm (L) x 500mm (W)

FREE SAMPLES!	CODE	COLOUR
	993949	White



Tissue/Poly Pillowcase

BUY 1 @ \$2.95/bag

10pcs/bag
Guards against stains and spills
Aids in infection control.
Size: 760mm (L) x 530mm (W)

FREE SAMPLES!	CODE	COLOUR
	991783	White



Instant Ice Pack

BUY 1 @ \$39.95/box

50pcs/box
Instant ice pack for fast relief of bruises and swelling, muscle spasm and pain, headaches and minor injuries. Contains: Calcium nitrate and water (less than 28% nitrogen). Disposable.
Size: 160mm(L) x 100mm(W).

FREE SAMPLES!	CODE	COLOUR
	993730	White



CPE Apron, Knee-Length

BUY 1 @ \$13.50/bag

50pcs/bag
Disposable recyclable plastic aprons provide excellent protection without limiting movement or flexibility. The aprons do not fully wrap around the user's body to allow for ventilation.
Size: 1200mm (L) x 700mm (W)

FREE SAMPLES!	CODE	COLOUR
	993904	Clear



Arm Sleeves

BUY 1 @ \$9.95/bag

100pcs/bag
Universal size. Can easily be worn over scrubs and shirts.
Size: 400mm (L) x 200mm (W)

FREE SAMPLES!	CODE	COLOUR
	993903	Blue



Isolation Gown, Knee-Length

BUY 1 @ \$19.95/bag

10pcs/bag
An economical, comfortable and reliable protection apparel with knitted cuffs. Seams are sewn together to provide superior strength. Gowns are easily secured with waist and neck ties. Latex-free and fluid-resistant.
Size: 1350mm (L) x 1100mm (W)

FREE SAMPLES!	CODE	COLOUR
	991539	Blue



Patient Gown, Half Body

BUY 1 @ \$36.45/case

100pcs/case

Universal Size. Durable and soft.

Covers the upper body. Comes with separate tie to hold securely around the body.

**FREE
SAMPLES!**

CODE COLOUR

991603 Blue



Disposable Slip-On Caps

BUY 1 @ \$8.95/bag

100pcs/bag

Cost-effective disposable slip-on caps.

**FREE
SAMPLES!**

CODE SIZE COLOUR

992158 21" Blue



Disposable Bouffant Caps

BUY 1 @ \$13.95/bag

100pcs/bag

Made from a non-woven, light weight, water-resistant and latex-free fabric.

**FREE
SAMPLES!**

CODE SIZE COLOUR

992171 21" Blue



Patient Gown, Full Body

BUY 1 @ \$30.95/case

50pcs/case

Universal size. Ideal for routine exams and office procedures Included tie provides added convenience and guarantees patient modesty. Comes with plastic ties.

**FREE
SAMPLES!**

CODE COLOUR

991606 Blue



Disposable Surgical Cap

BUY 1 @ \$16.95/box

50pcs/box

Made from a non-woven, light weight, water-resistant and latex-free fabric.

**FREE
SAMPLES!**

CODE COLOUR

992176 Black

POPULAR PICK!

450mm

330mm



Bibs, 2-Ply Tissue + Poly
BUY 1 @ \$28.25/box

500pcs/box
2-Ply tissue bibs with poly-backing with vertical embossing. Optimal absorbency and barrier protection. Size: 330mm (L) x 450mm (W)

FREE SAMPLES!

CODE	COLOUR
990175	Black

POPULAR PICK!

450mm

330mm



Bibs, 2-Ply Tissue + Poly
BUY 2 @ \$16.95/box

500pcs/box
2-Ply tissue bibs with poly-backing and vertical embossing. Optimal absorbency and barrier protection. Available in various colours. Size: 330mm (L) x 450mm (W)

FREE SAMPLES!

MIN. ORDER QTY.: 2 boxes

CODE	COLOUR
990306	Blue
990307	Pink
990308	Green
990309	Purple
990310	White

NuTattoo

450mm

330mm



Bibs, 3-Ply Tissue + Poly
BUY 1 @ \$32.20/box

500pcs/box
3-Ply tissue bibs with poly-backing with vertical embossing. Optimal absorbency and barrier protection. Size: 330mm (L) x 450mm (W)

FREE SAMPLES!

CODE	COLOUR
990305	Blue

POPULAR PICK!



Black, Non-Woven Sheet
BUY 1 @ \$6.65/roll

Non-woven material for extra soft comfort and absorption. Fits over most tattoo beds. 16m per roll, 8 sheets and perforated at 2000mm. Size: 2000mm (L) x 1000mm (W)

FREE SAMPLES!

CODE	COLOUR
993950	Black



Paper/Poly Bedsheet
BUY 1 @ \$7.95/roll

Tissue/poly material for extra soft comfort and absorption. Fits over most tattoo beds. 18m per roll, 10 sheets and perforated at 1800mm. Size: 1800mm (L) x 1000mm (W)

FREE SAMPLES!

CODE	COLOUR
993951	Blue



Bib and Hand Towel Dispenser

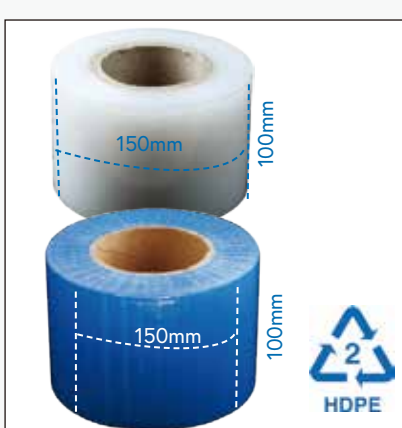
BUY 1 @ \$26.95/each

Fits dental bibs with the dimensions 330mm (L) x 450mm (W) and Hand Towels (992702). Dispenser Size: 180mm (L) x 130mm (W) x 150mm (H)

Cleaning instructions:

Use only soap and water on acrylic surface. Alcohol or ammonia-based disinfectants may cause cracks to appear.

CODE	COLOUR
990260	Clear

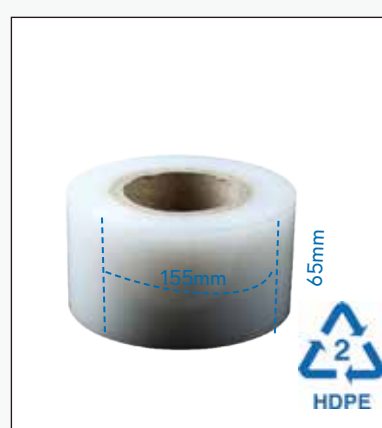


Barrier Film, 1200pcs

BUY 1 @ \$10.90 each

This is an infection control barrier with a removable tacky adhesive that does not leave behind any residue. Quick and easy to apply and remove. Each roll has 1200 pieces of single-use perforated 150mm (L) x 100mm (W)

CODE	COLOUR
992483	Clear
992482	Blue



Barrier Film, 600pcs

BUY 1 @ \$5.45 each

This is an infection control barrier with a removable tacky adhesive that does not leave behind any residue. Quick and easy to apply and remove. Each roll has 600 pieces of single-use perforated 155mm (L) x 65mm (W) sheets.

CODE	COLOUR
992501	Clear

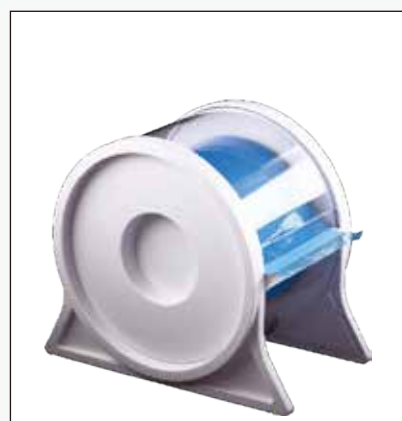


Barrier Film, 800pcs

BUY 1 @ \$21.50 each

This is an infection control barrier with a removable tacky adhesive that does not leave behind any residue. Quick and easy to apply and remove. Each roll has 800 pieces of single-use perforated 230mm (L) x 150mm (W) sheets.

CODE	COLOUR
992500	Clear



Barrier Film Roll Dispenser

BUY 1 @ \$15.95 each

For easy dispensing of barrier film. Compatible with barrier film 992482, 992483 and 992501. Size: 140mm (L) x 230mm (W) x 190mm (H)

CODE	COLOUR
992484	Clear



Disposable Double-Sided Razor

BUY 1 @ \$34.95/box

100pcs/box
Individually wrapped stainless steel razors to ensure optimal sharpness and consistency with each razor. Single-edged blade. Blade thickness: 0.1mm. Size: 110mm (L)

CODE	COLOUR
993902	Blue



Bottle Sleeves

BUY 1 @ \$7.65/box

250pcs/box

Fits all 250ml and 500ml bottles to prevent cross contamination. Simply cut or rip through an opening slit at the end of the bag and slide the bottle through. Size: 200mm (L) x 150mm (W)

FREE SAMPLES!

CODE	COLOUR
993906	Clear

NuTattoo



50mm



Tubing Sleeves Roll, 55mm

BUY 1 @ \$19.95 each

Effective infection control barrier for tubes, hoses and cables.
Size: 366 Metre per roll, 55mm (W)

CODE	COLOUR
992489	Clear



Cord Cover

BUY 1 @ \$8.95/box

125pcs/box
Provides superior protection against contamination, these clip cord covers are designed to keep clip cords safely covered and protected.
Size: 800mm (L) x 50mm (W)

CODE	COLOUR
993925	Clear



Cord Cover

BUY 1 @ \$10.95/box

125pcs/box
Provides superior protection against contamination, these clip cord covers are designed to keep clip cords safely covered and protected.
Size: 1140mm (L) x 50mm (W)

CODE	COLOUR
993927	Clear



Chair Sleeves, Half Body **BUY 1 @ \$53.95/box**

225pcs/box
Disposable recyclable half-body plastic sleeves for tattoo chairs to reduce the risks of cross-contamination.
Size: 610mm (L) x 710mm (W)

FREE SAMPLES!

CODE	COLOUR
992627	Clear



Chair Sleeves, Full Body **BUY 1 @ \$74.95/box**

200pcs/box
Disposable recyclable full-body plastic sleeves for tattoo chairs to reduce the risks of cross-contamination.
Size: 1370mm (L) x 840mm (W)

FREE SAMPLES!

CODE	COLOUR
992628	Clear

100% RECYCLED PAPER



Face Sheet with S-Cut **BUY 1 @ \$17.95/box**

1000pcs/box
Convenient pre-cut face sheets. Strong, absorbent sheets provide superior hygienic protection.
Size: 305mm (L) x 305mm (W)

FREE SAMPLES!

CODE	COLOUR
991685	White



Bluey Underpads

10pcs/bag
The Bluey Underpad is made from 5-ply material. It has a waterproof backing and soft dry layering cover with super absorbent material to lock away wetness. Ideal as a protector for linen and furniture. Available in 3 sizes.

FREE SAMPLES!

CODE	Pack	Size	BUY 1
992400	10pcs/bag 30bags/case	610mm (L) x 430mm (W)	\$1.50/bag
992401	10pcs/bag 20bags/case	610mm (L) x 580mm (W)	\$2.20/bag
992402	10pcs/bag 15bags/case	910mm (L) x 580mm (W)	\$3.15/bag