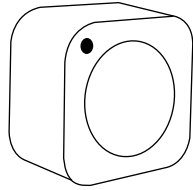
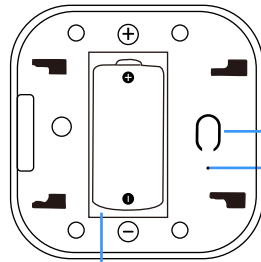


About the PIR motion sensor



(1)



Battery Compartment
Install the CR123A battery

LED
Blinking: The device enters network configuration mode
Off: The device is under idle state

(2)

Button
Enter configuration mode:
Press and hold the button for 5 seconds until the LED blinks, the device will enter configuration mode

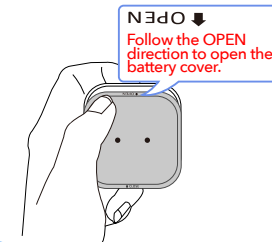
(3)

Quick Installation Guide

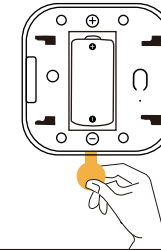
Note: the smart gateway must be added first before adding the sensor.

1. Power on the sensor

1 Open the battery cover

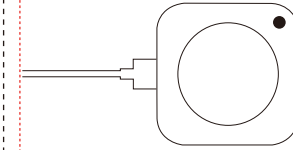


2 Take out the insulation sheet



(4)

Option:It also can be supplied by USB DC5V

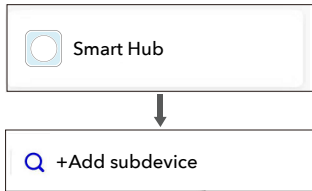


Note:If you don't have the gateway,you can also connect the sensor to your cell phone directly(at the top right corner of Smart Life,click "+", the sensor should be discovered automatically,then you can follow the in-app instructions to finish connection).In this case, the sensor only can be controlled in local network. ⚠️

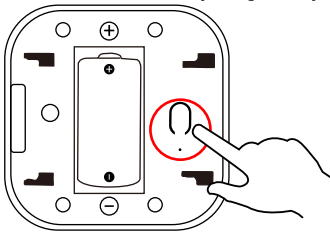
(5)

you can also connect the sensor

2.Open "TreatLife" app,Enter gateway homepage and click "Add subdevice"

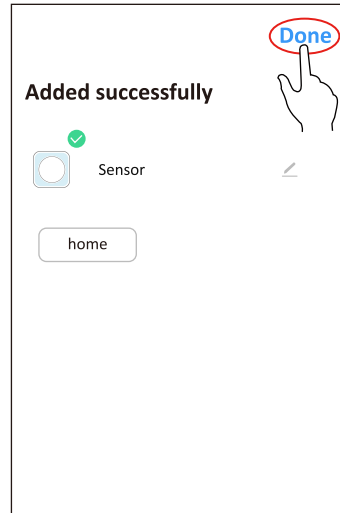


3.Press the reset button for 5 seconds, till the LED blinks, then click the confirm button on the app which shows "LED already blink" and follow the in-app instructions to connect the sensor to your gateway.



(6)

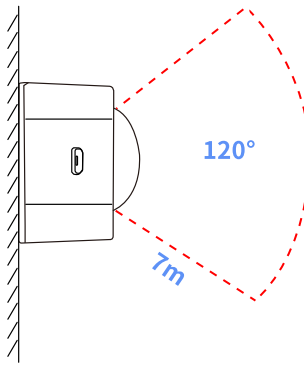
4.Wait for a few seconds till the device added successfully and you can rename it. Click "Done" to finish the setting.



(7)

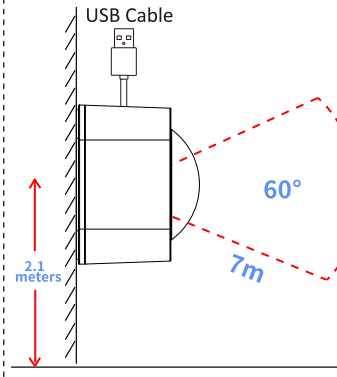
5.Close the battery cover then put it where you need it.For better detection range,the installation height should be 1.8~2.1 meters.Please refer to the view below to find out the installation place you need.

1 Top view



(8)

2 Side view



(9)

FCC CAUTION

This device complies with part 15 of the FCC Rules. Operation is subject to the following two conditions:
(1) This device may not cause harmful interference;
(2) The device must accept any interference received, including interference that may cause undesired operation.
Any changes or modifications not expressly approved by the party responsible for compliance could void the user's authority to operate the equipment.
Note: This equipment has been tested and found to comply with the limits for a Class B digital device, pursuant to part 15 of the FCC Rules. These limits are designed to provide reasonable protection against harmful interference in a residential installation. This equipment generates uses and can radiate radio frequency energy and, if not installed and used in accordance with the instructions, may cause harmful interference to radio communications.
However, there is no guarantee that interference will not occur in a particular installation. If this equipment does cause harmful interference to radio or television reception, which can be determined by turning the equipment off and on, the user is encouraged to try to correct the interference by one or more of the following measures:
-Reorient or relocate the receiving antenna.
-Increase the separation between the equipment and receiver.
-Connect the equipment into an outlet on a circuit different from that to which the receiver is connected.
-Consult the dealer or an experienced radio/TV technician for help.
This equipment complies with FCC radiation exposure limits set forth for an uncontrolled environment. This equipment should be installed and operated with minimum distance 20cm between the radiator & your body.

ISED/C WARNING

This device complies with Innovation, Science, and Economic Development Canada's licence-exempt RSS standard(s). Operation is subject to the following two conditions:
(1) The device may not cause interference;
(2) The device must accept any interference, including interference that may cause undesired operation of the device.
Le présent appareil est conforme aux CNR d'Innovation, Sciences et Développement économique Canada applicables aux appareils radio exempts de licence.
L'exploitation est autorisée aux deux conditions suivantes:
(1) l'appareil ne doit pas produire de brouillage, et
(2) l'utilisateur de l'appareil doit accepter tout brouillage radioélectrique subi, même si le brouillage est susceptible d'en compromettre le fonctionnement.
The device is compliance with RF exposure guidelines, users can obtain Canadian information on RF exposure and compliance.The minimum distance from body to use the device is 20cm.
Le présent appareil est conforme Après examen de ce matériel aux conformités ou aux limites d'inten- sité de champ RF, les utilisateurs peuvent sur l'exposition aux radiofréquences et la conformité and compliance d'acquérir les informations correspondantes. La distance minimale du corps à utiliser le dispositif est de 20cm.

正面

背面