

USER INSTRUCTIONS

FLOWERPOT^{VP1}

BY **VERNER PANTON**
1968

Congratulations on choosing this original FlowerPot lamp, designed in 1968 by Verner Pantan. We hope you will enjoy using this lamp and follow these instructions to ensure correct installation. If you have any questions or comments, please do not hesitate to contact us by mail on:

info@andtradition.com

CONTENTS

- A - Shade
- B - Undershade
- C - 3 meter fabric cord fitted
- D - Ceiling cup

Please read these instructions carefully and retain them for future reference to ensure that the lamp is correctly installed should it be moved or sold. For your own safety, please study each step of this instruction manual before you commence installation. &tradition are not responsible for any faults or damages caused by not following these instructions correctly. Do not modify this lamp in any way.

INSTALLATION SUGGESTIONS

FlowerPot works well in groups or combined with the Big FlowerPot lamp. You can hang them at different heights, in a row or circle. The lamp is perfect over a dining table. Two or three lamps can provide good lighting over a long table. Different colours can also be combined. Visit our website for more inspiration:

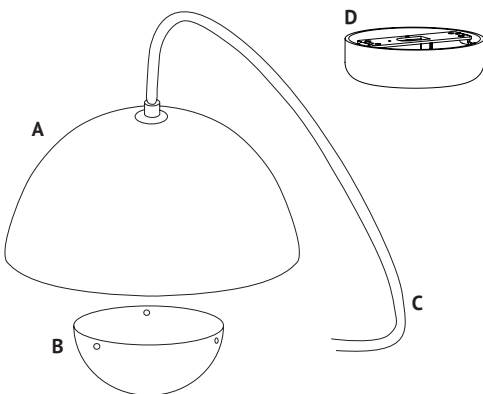
www.andtradition.com

TOOLS NEEDED

- Plastic-coated ceiling hook for plaster, wood or concrete ceiling.
- Small flat-head screwdriver for wiring
- Cable cutters
- Cable stripper
- Bulb type: E27 fitting 40 watt tungsten bulb or 7 watt low energy bulb

SAFETY PRECAUTIONS

- Dispose of plastic bag from packaging and do not allow children to play with it.
- Keep product well out of children's reach.
- The lamp is only intended for interior use.
- Lamp exterior gets hot after prolonged use.
- Do not attempt installation of product if you are not competent to do so yourself.
- Consult a professionally qualified electrician if in any doubt.
- Disconnect the electricity supply at the fuse box, before commencing work.



CLEANING INSTRUCTIONS

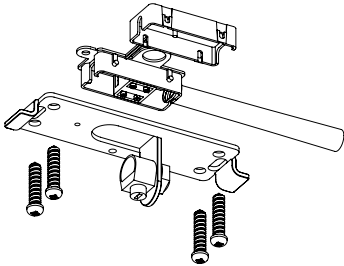
- Wipe surface of lamp shade with a soft, damp sponge or cloth.
- Do not use any abrasive cleaning tools such as steel wool, scouring sponges or stiff brushes.
- Never use strong cleaning agents such as white spirit, turpentine, household glass cleaner or cellulose thinners.
- Only wipe the inside of the shade with a soft, damp cloth or feather duster.

ASSEMBLY INSTRUCTIONS

STEP 1

Mount the metal plate securely in the ceiling with screws and appropriate wall plugs.

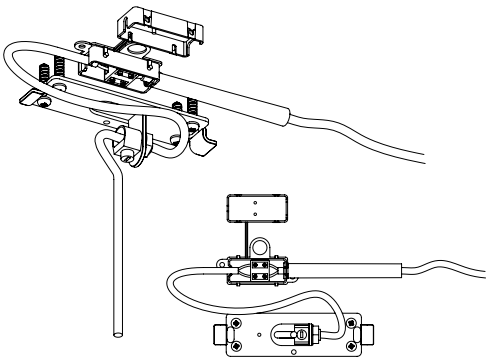
Determine the right hanging height and pull the cord through the strain relief and lock it with the screw.



STEP 2

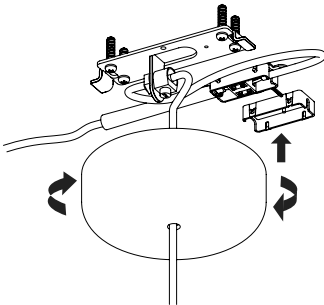
Connecting the wires:

Connect the blue and brown cables to the connector block.



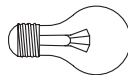
STEP 3

Install the plastic canopy onto the metal plate.



STEP 4

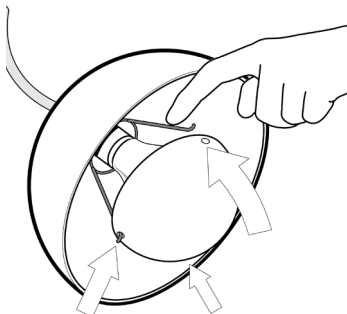
Install a lightbulb in the lamp and mount the undershade onto the three pronged arm inside the shade as shown in the diagram. Switch on the power supply at the fusebox and enjoy your new lamp.



Maximum 40 W.
Tungsten E27 bulb.



Maximum 7 W.
Low Energy E27 bulb.



CE □ ▽ IP20

 **tradition®**