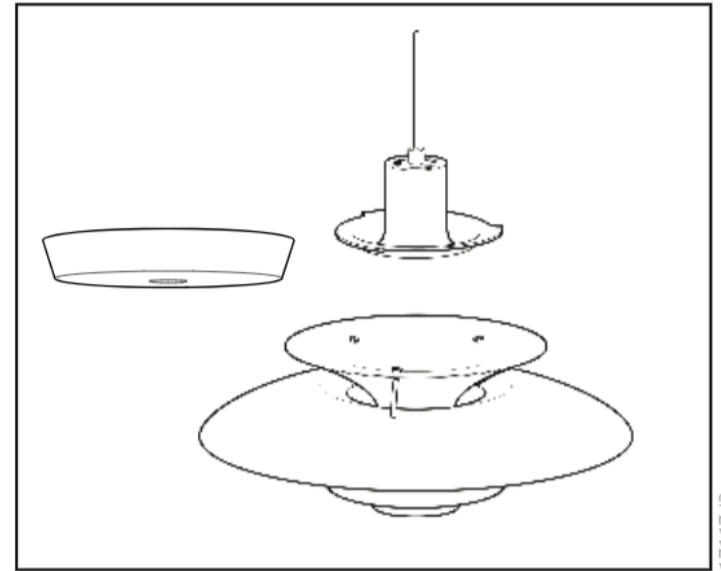
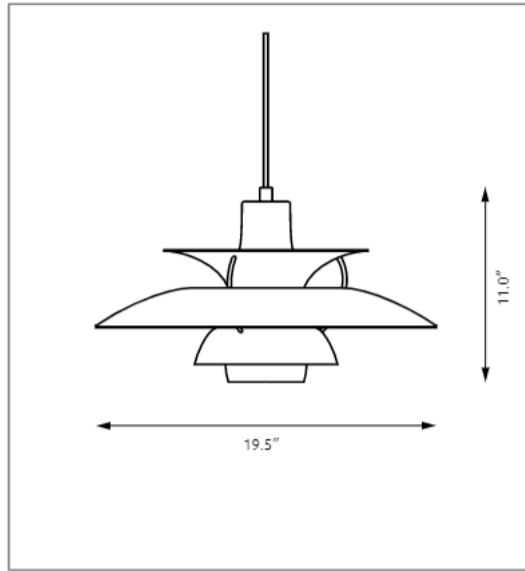


# PH 5 & PH 50

Design Poul Henningsen



17117-12

Light source	Voltage	Weight	Electric shock protection	Ingress protection
<b>1/200W/A-23/IF Medium Base</b>	<b>120V</b>	<b>Max 5,0 lbs</b>	<b>Cl. I</b>	<b>IP 20</b>

**Recommended cleaning substances:**

Alcohol, detergent, water max. (122 °F /50 °C)

Warning: Scouring powder and similar substances will scratch glass surfaces.

**Glossy lacquered surfaces in specific:**

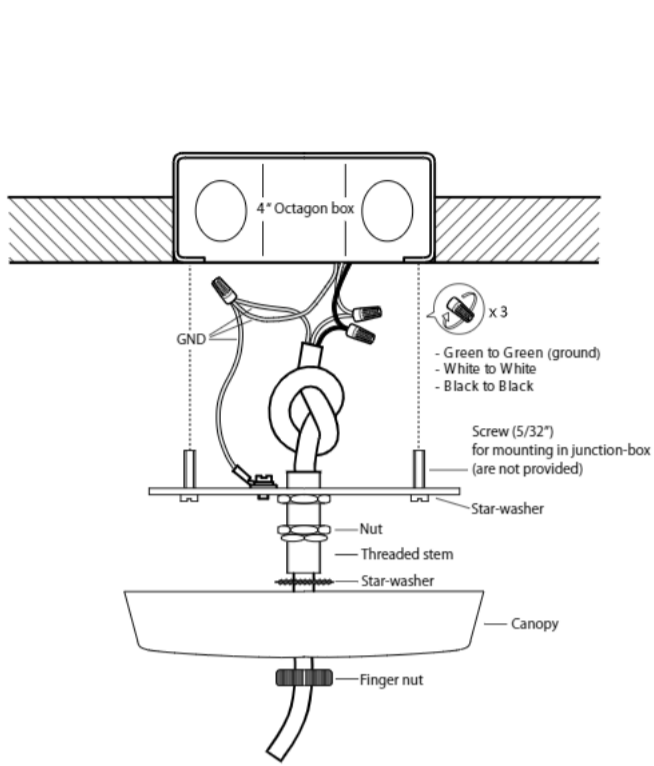
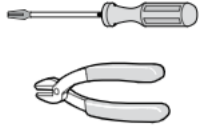
The glossy lacquered surfaces should be maintained with a suitable polish in order to prevent deterioration and drying.

The polish agent may not contain any sort of abrasives. The polish must be applied according to the supplier's instructions using a very soft cloth (microfiber).

Note: Avoid any contact between the polish and the matt lacquered surfaces of the product.

**NB**

All installation is subject to local code and jurisdiction. Consult a qualified electrician to ensure correct branch circuit conductor. The installer must ensure that the ceiling can support the luminaire's weight. The installer must if necessary reinforce the ceiling structure by adequate means.



- 1 Thread the wire 3x18 AWG cord through finger nut, canopy threaded stem with nut and star-washer
- 2 Adjust the length of the cord and tie a knot to relief
- 3 Connect in junction-box
- 4 Screw on the cross-bar
- 5 Adjust the nuts on the stem and tighten
- 6 Put on the star-washer and the canopy and finally tighten finger nut

