



---

## Deep Root Raised Garden Bed

### Installation Guide

---

#### Thank You!

You're only a few steps away from your perfect vegetable garden or elevated planter. We hope you enjoy!

Model# R143638  
Dimensions 36" L x 38" W x 14" H

#### Before You Start

Please read the instructions carefully to familiarize yourself with every detail and step involved. Keep this manual for future reference. Find a suitable space to assemble your new Deep Root Raised Garden Bed.

You need at least 36" x 38" (92 x 97cm) for the finished product. A flat and firm area (like a garage floor or flat yard space) is perfect! The only tool you may need is a rubber mallet.

#### Important Notes

Small parts are included; we advise you to keep them away from children and pets.

We also suggest having another person help you assemble. Maximum Load capacity: approximately 11 cu. ft. of soil

★ **Subscribe at [www.everbloom-garden.com](http://www.everbloom-garden.com) for extra savings and upgrading information!**



**Everbloom-Garden.com**

Questions or Comments?

Email us at [service@everbloom-garden.com](mailto:service@everbloom-garden.com)

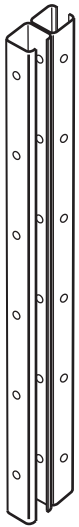
# Parts List

Deep Root Raised Garden Bed - 36" L x 38" W x 14" H

---

Left Corner  
Post  
X 2

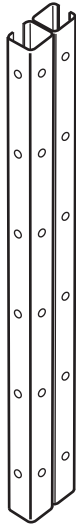
Top



Bottom

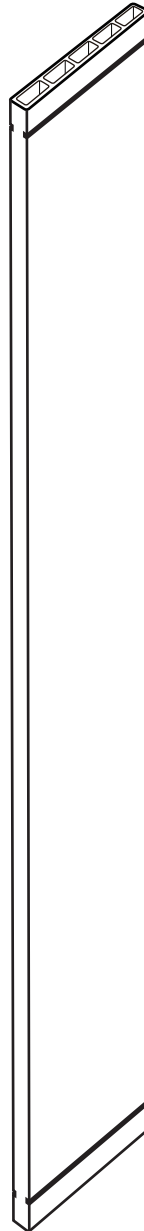
Right Corner  
Post  
X 2

Top



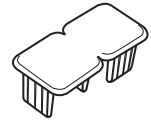
Bottom

Long Board  
X 4



900mm

Post Cap  
X 4



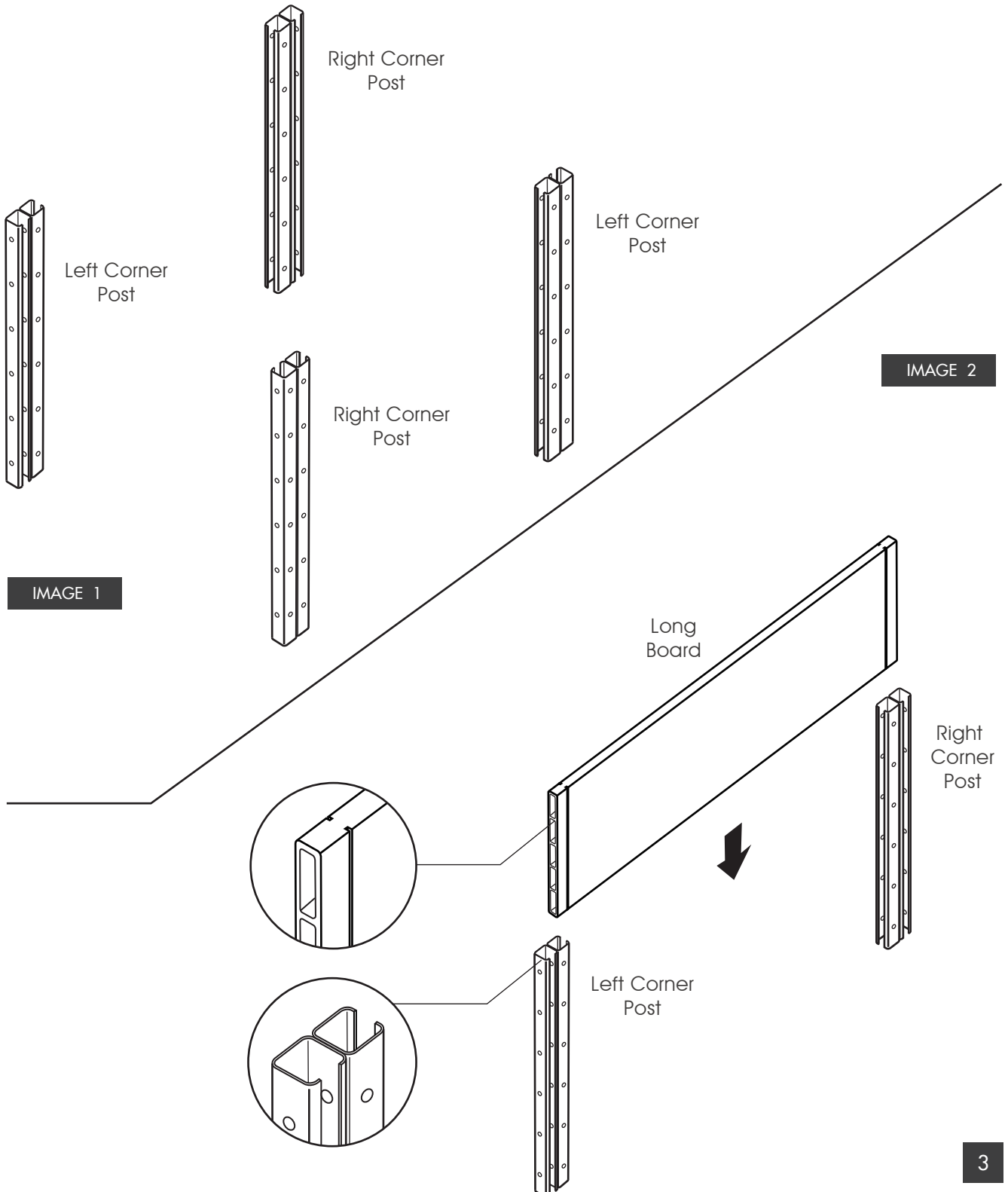
+ 2pc  
replacement

# Assembly

## Deep Root Raised Garden Bed - 36" L x 38" W x 14" H

Start by making sure each corner post is oriented correctly. Reference Image 1. Slide one long board into the corner posts from above.

Note: The boards need to be placed in the inward "U" shape of the brackets. (Image 2).



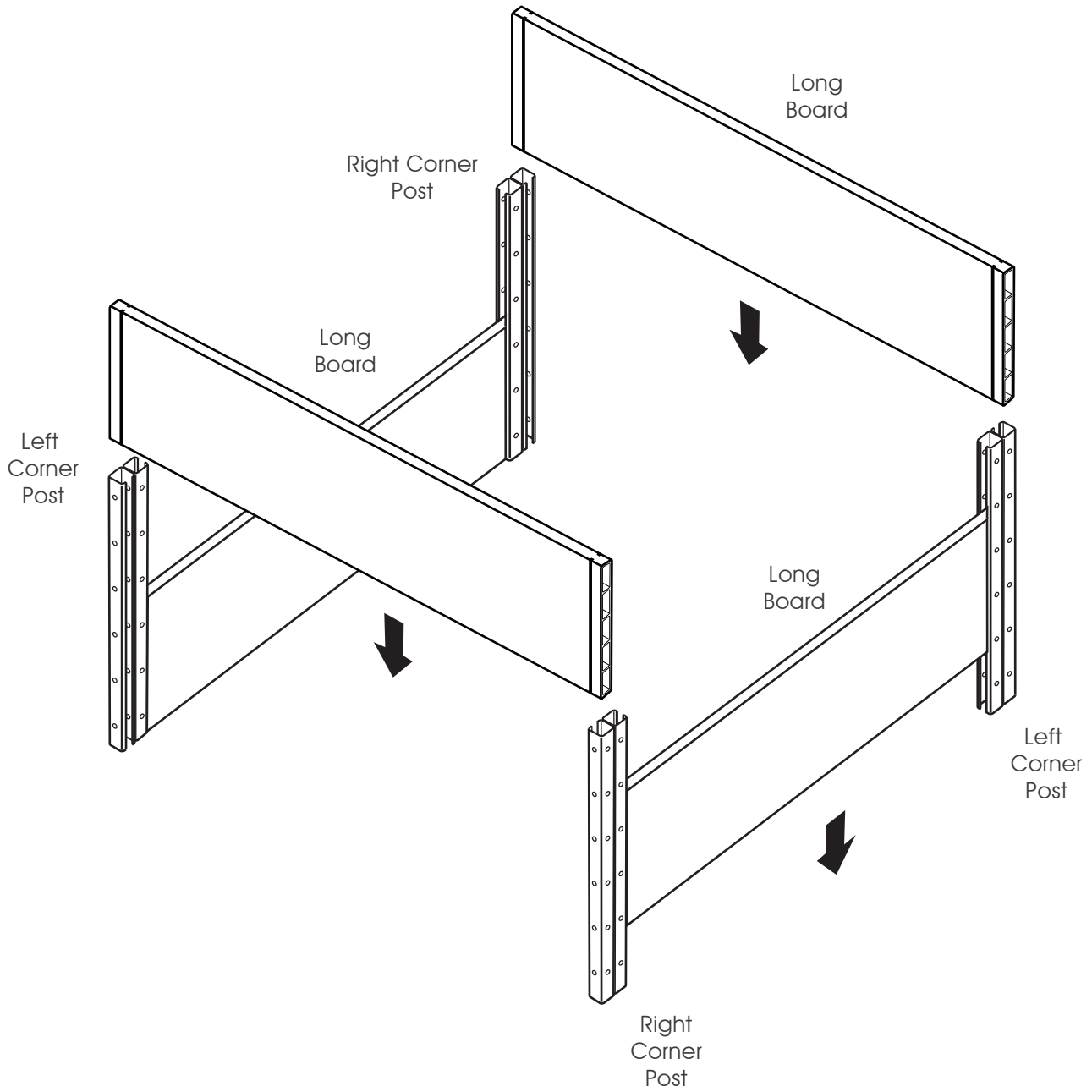
# Assembly

Deep Root Raised Garden Bed - 36" L x 38" W x 14" H

---

Slide the other three long boards into the corner posts from above, as shown in Image 3.

IMAGE 3



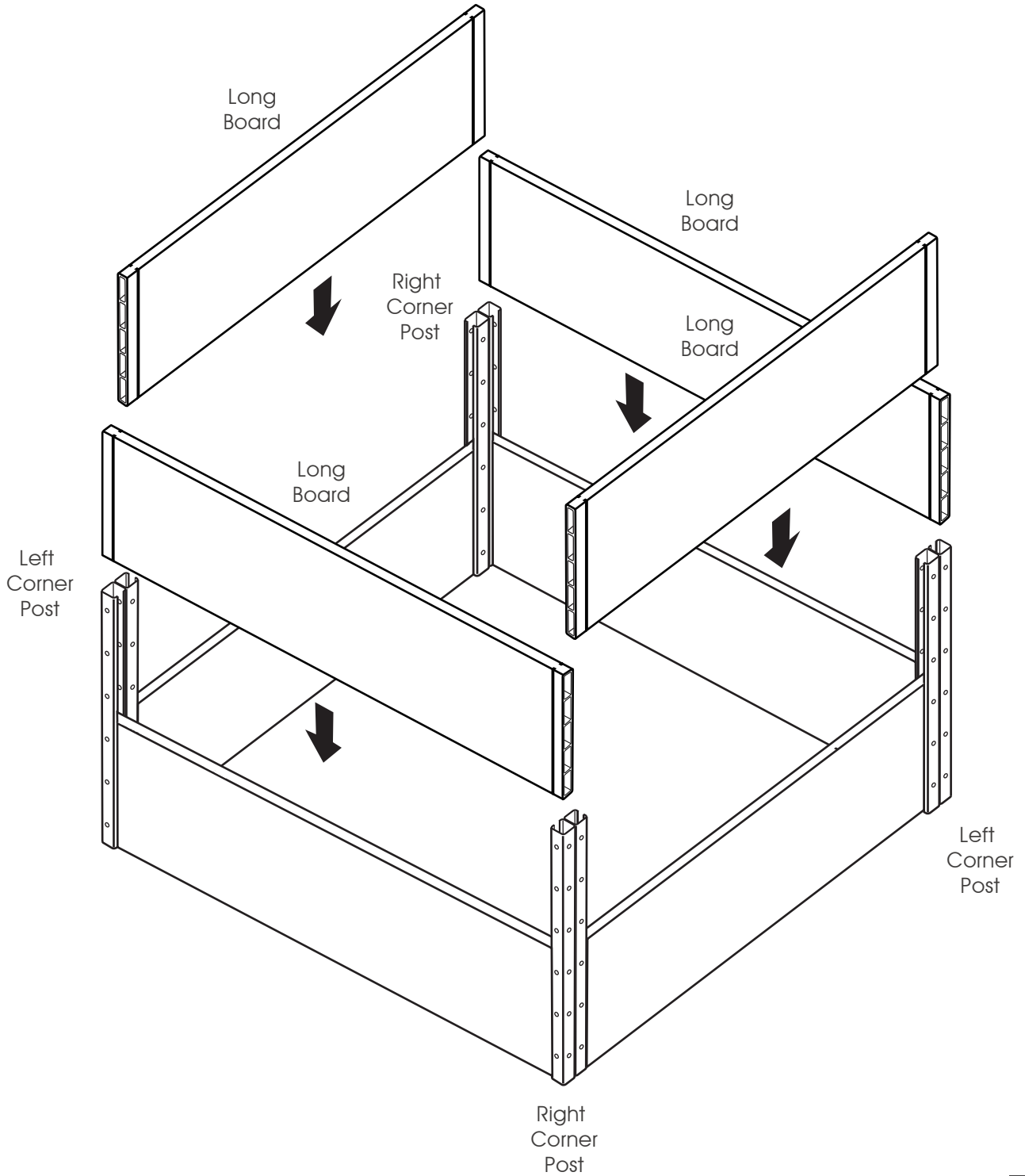
# Assembly

Deep Root Raised Garden Bed - 36" L x 38" W x 14" H

---

Slide the rest four boards to form the second layer of the bed, as shown in Image 4.

IMAGE 4

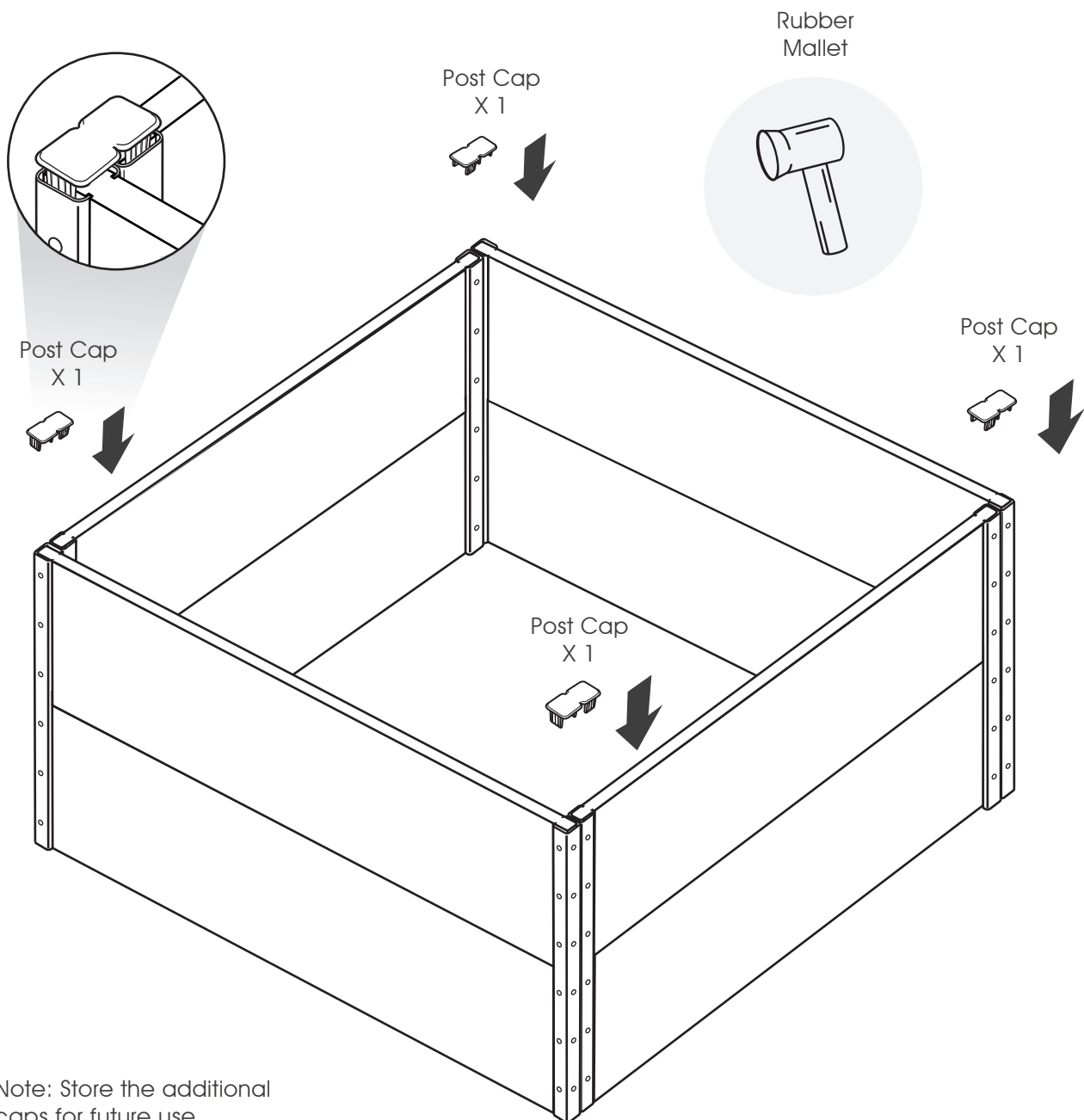


# Assembly

## Deep Root Raised Garden Bed - 36" L x 38" W x 14" H

If necessary, use your rubber mallet to ensure the boards are tightly in place. Cover the brackets with the 4 end caps, as shown in Image 5.

IMAGE 5



Note: Store the additional caps for future use.

# Notes

## Deep Root Raised Garden Bed - 36" L x 38" W x 14" H

---

Sometimes there might be a misalignment of the Corner Posts as shown in Image 6 and Image 7, which may result in difficulty of sliding boards into the brackets. Please adjust them to the right position so that they are parallel to each other, and perpendicular to the ground.

IMAGE 6

Assembling Problem 1

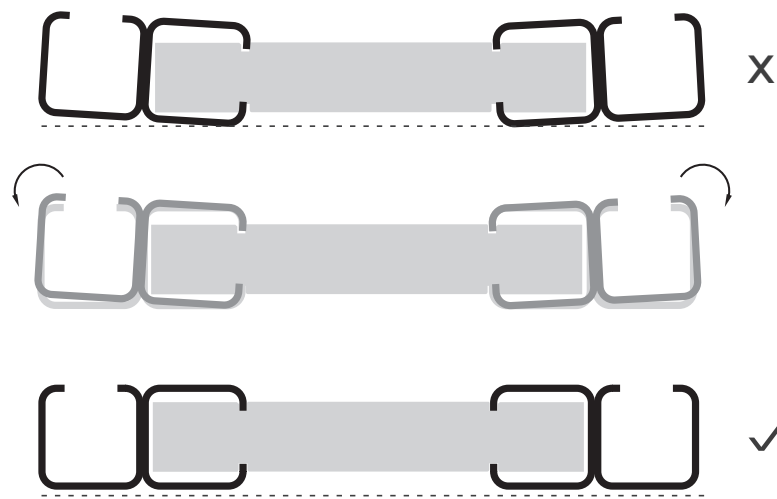
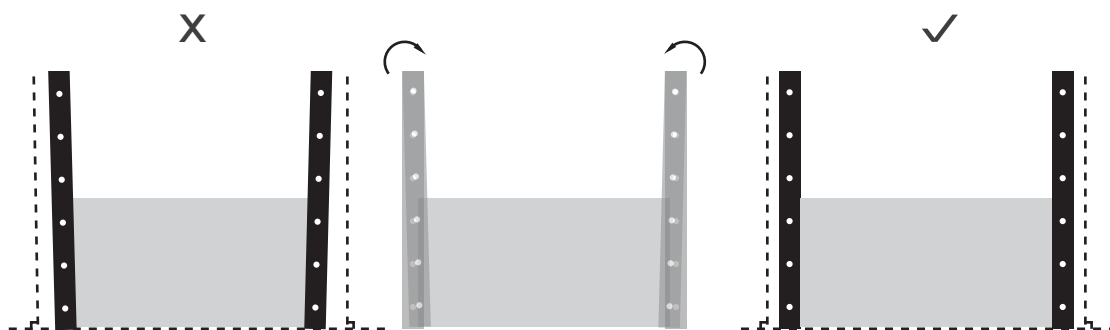


IMAGE 7

Assembling Problem 2



# Bloom On.

**Everbloom-Garden.com**

US Patent Pending

★ Subscribe at [www.everbloom-garden.com](http://www.everbloom-garden.com) for  
extra savings and upgrading information!

Distributed by:  
Dynaforge Trading LLC  
St. Paul, MN55101  
Email: [service@everbloom-garden.com](mailto:service@everbloom-garden.com)