



---

## Terraced Double Bed Extension

### Installation Guide

---

#### Thank You!

You're only a few steps away from your perfect vegetable garden or elevated planter. We hope you enjoy!

Model# R0714E36  
Dimensions 71" L x 36" W x 7" & 14" H

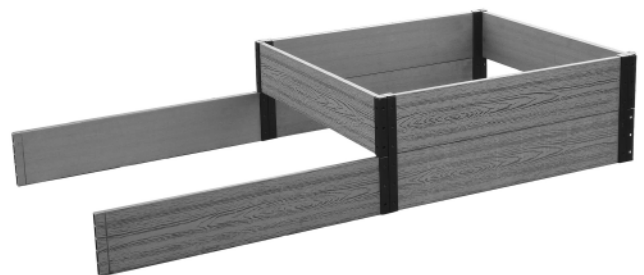
#### Before You Start

Please read the instructions carefully to familiarize yourself with every detail and step involved. Keep this manual for future reference. Find a suitable space to assemble your new Terraced Double Bed Extension with Everbloom Essential Raised Garden bed (Model# R073638) or Deep Root Raised Garden Bed (R143638). A flat and firm area (like a garage floor or flat yard space) is perfect! The only tool you may need is a rubber mallet.

#### Important Notes

Small parts are included; we advise you to keep them away from children and pets. We also suggest having another person help you assemble. Maximum Load capacity: approximately 16 cu. ft. of soil

★ **Subscribe at [www.everbloom-garden.com](http://www.everbloom-garden.com) for extra savings and upgrading information!**



**Everbloom-Garden.com**

Questions or Comments?  
Email us at [service@everbloom-garden.com](mailto:service@everbloom-garden.com)

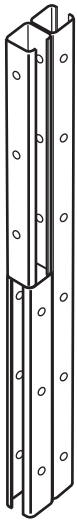
# Parts List

Terraced Double Bed Extension - 71" L x 36" W x 7" & 14" H

---

Left Joiner  
Corner  
X 2

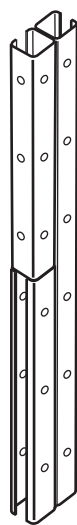
Top



Bottom

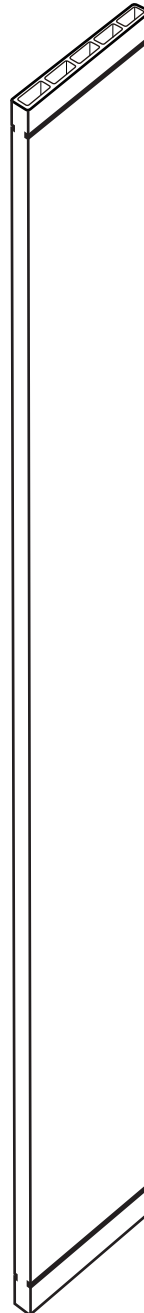
Right Joiner  
Corner  
X 2

Top



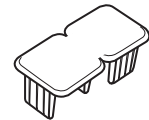
Bottom

Long Board  
X 8



900mm

Post Cap  
X 4



+ 2pc  
replacement

# Assembly

## Terraced Double Bed Extension - 71" L x 36" W x 7" & 14" H

This kit can be assembled with Everbloom Essential Raised Garden Bed (R073638) to create a Low-Hi-Low triple bed. And it also can be assembled with Everbloom Deep Root Raised Garden Bed (143638) to create a Hi-Low-Hi triple bed. Assembling it with Everbloom Terraced Double Raised Garden Bed (R0714D36), you can get a Hi-Low-Hi-Low quadruple bed.

With more of this extensions, you can build 5 beds, 6 beds or more continuous beds in this Hi-Lo version. Every extension can add a pair of Hi-Lo beds additionally, to an unlimited length, as long as your land can take.

*\* For Low-Hi-Low Triple bed, please follow steps of Assembly 1 from this page.*

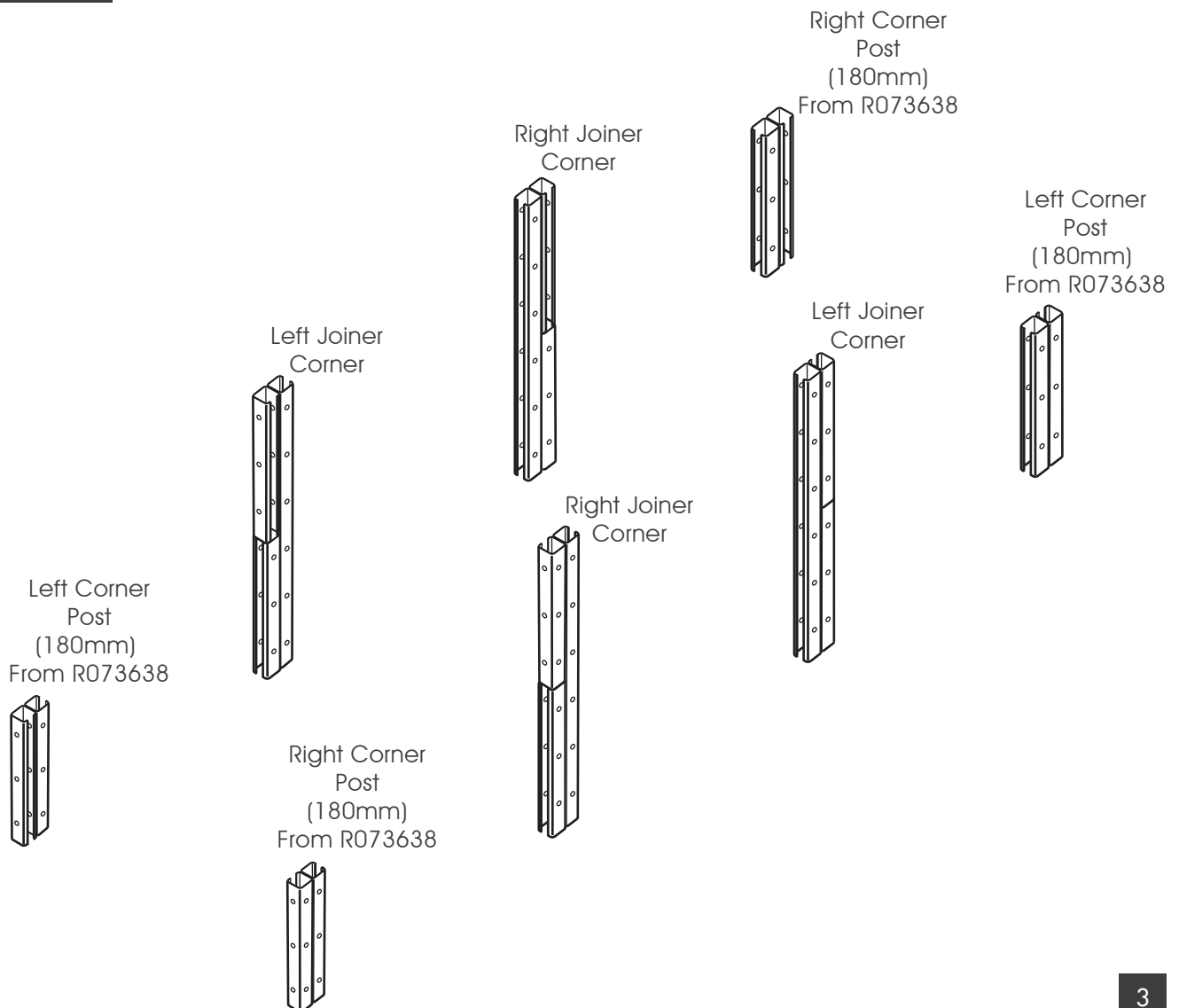
*\* For Hi-Low-Hi Triple bed, please follow steps of Assembly 2 from page 8.*

*\* For Hi-Low-Hi-Low Quadruple bed, please follow steps of Assembly 3 from page 13.*

## Assembly 1

Start by making sure each corner post is oriented correctly. Reference image 1.

IMAGE 1

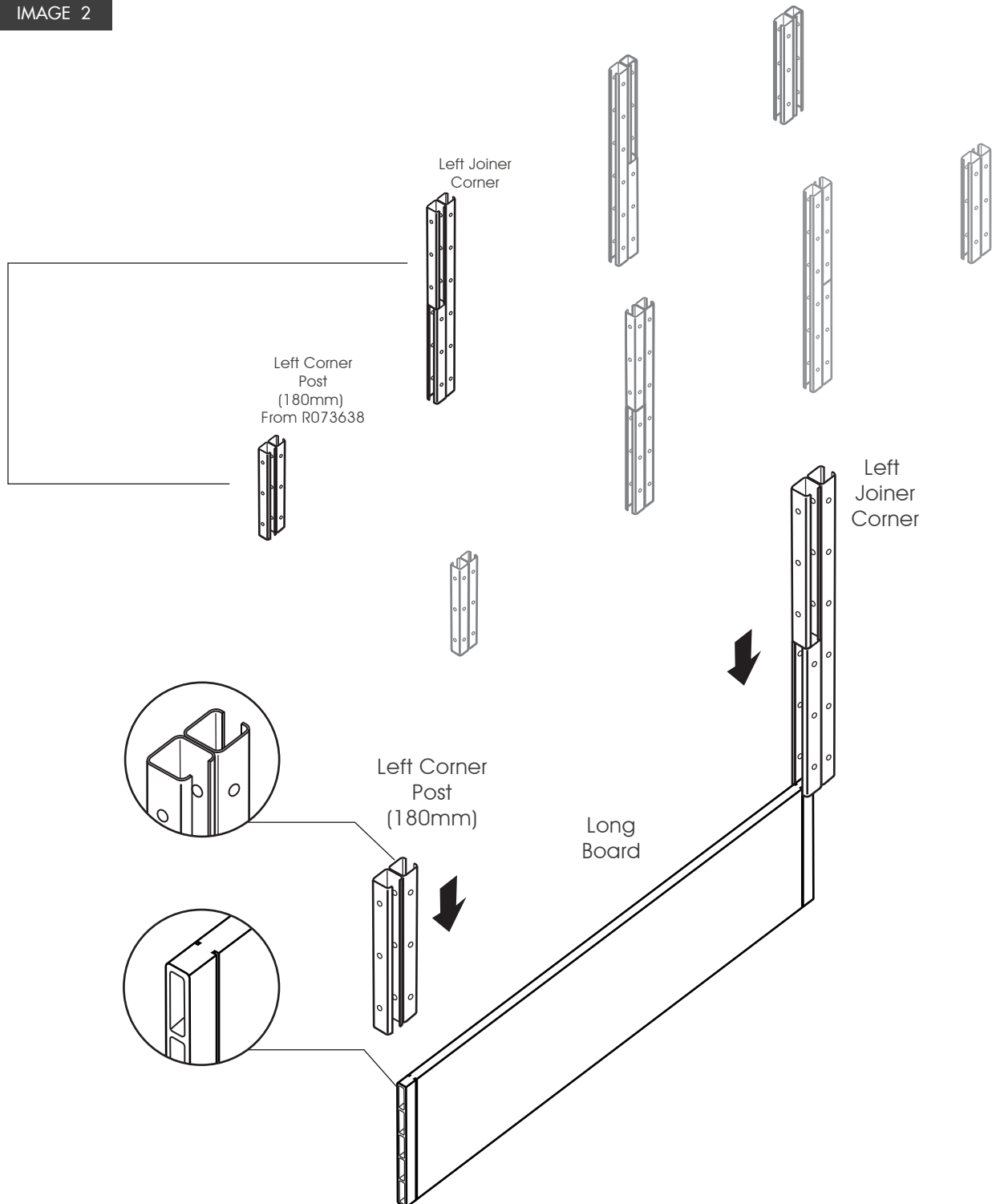


# Assembly 1

Terraced Double Bed Extension - 71" L x 36" W x 7" & 14" H

Fix the left joiner corner and left corner post (180mm) on one long board from above, as shown in Image 2.  
Note: The boards need to be placed in the inward "U" shape of the brackets. (Image 2).

IMAGE 2

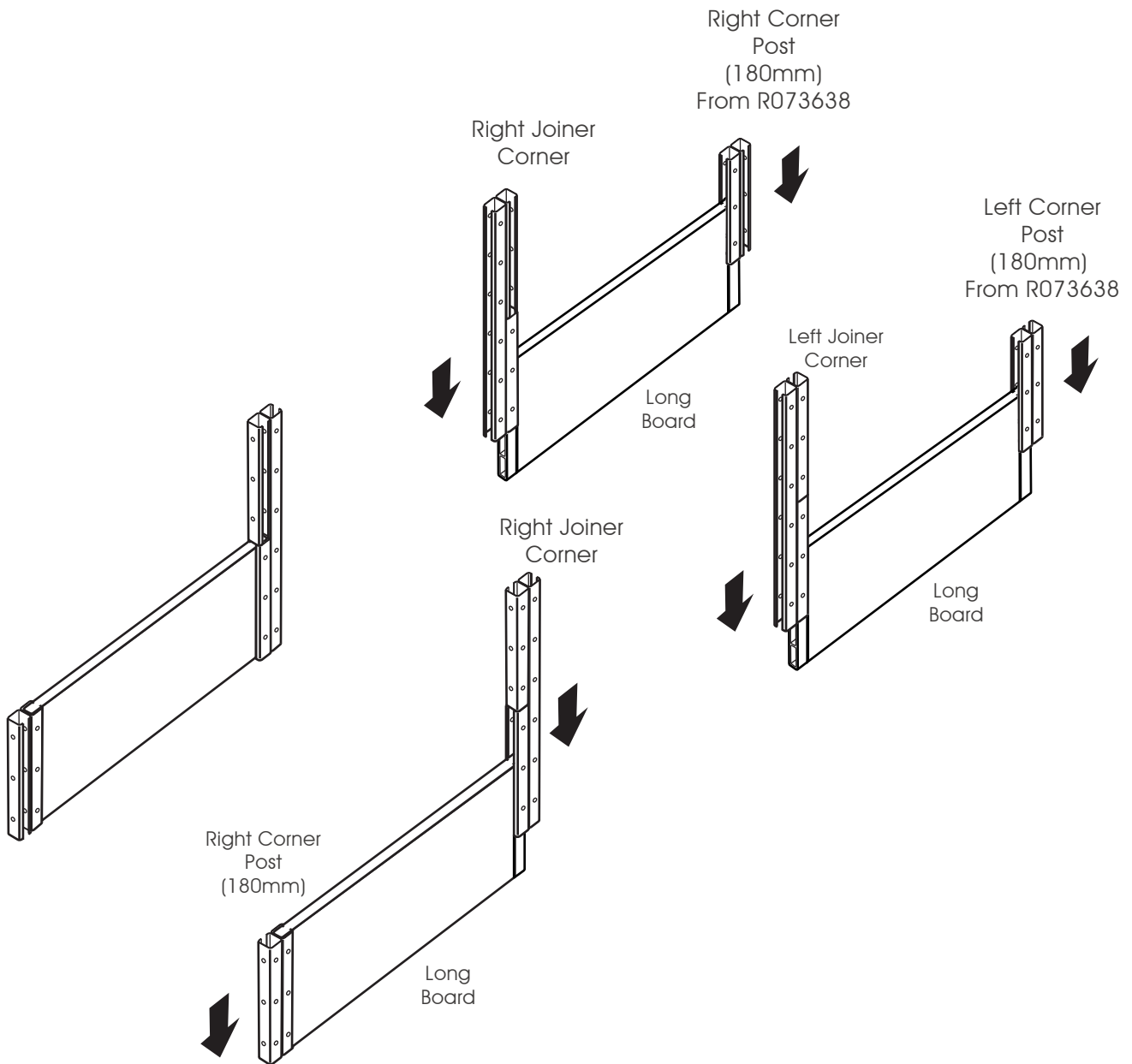


# Assembly 1

Terraced Double Bed Extension - 71" L x 36" W x 7" & 14" H

Fix other joiner corners and corner posts (180mm) on long boards from above, as shown in Image 3.

IMAGE 3

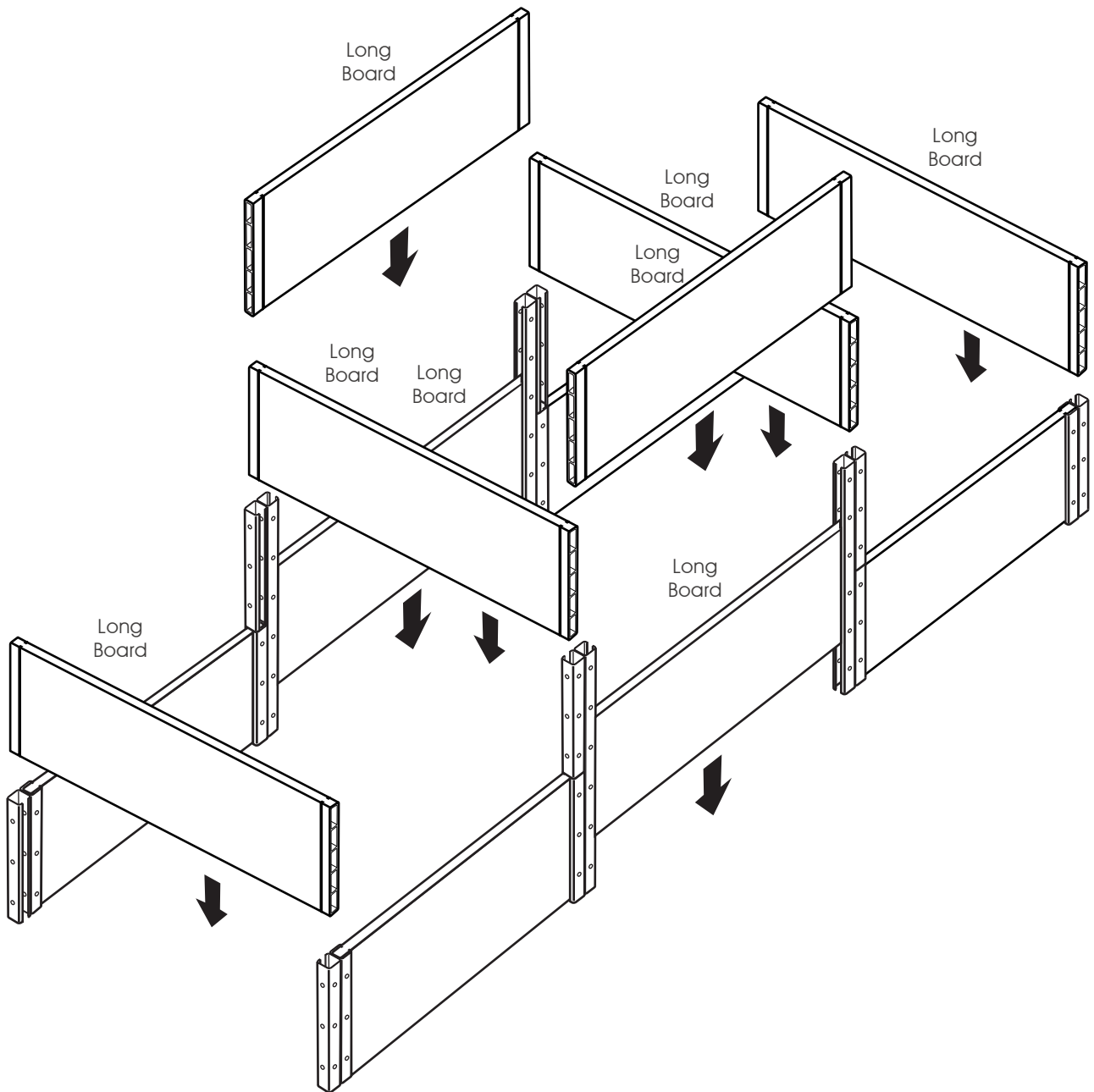


# Assembly 1

Terraced Double Bed Extension - 71" L x 36" W x 7" & 14" H

Slide the rest eight boards to form the bed, as shown in Image 4.

IMAGE 4

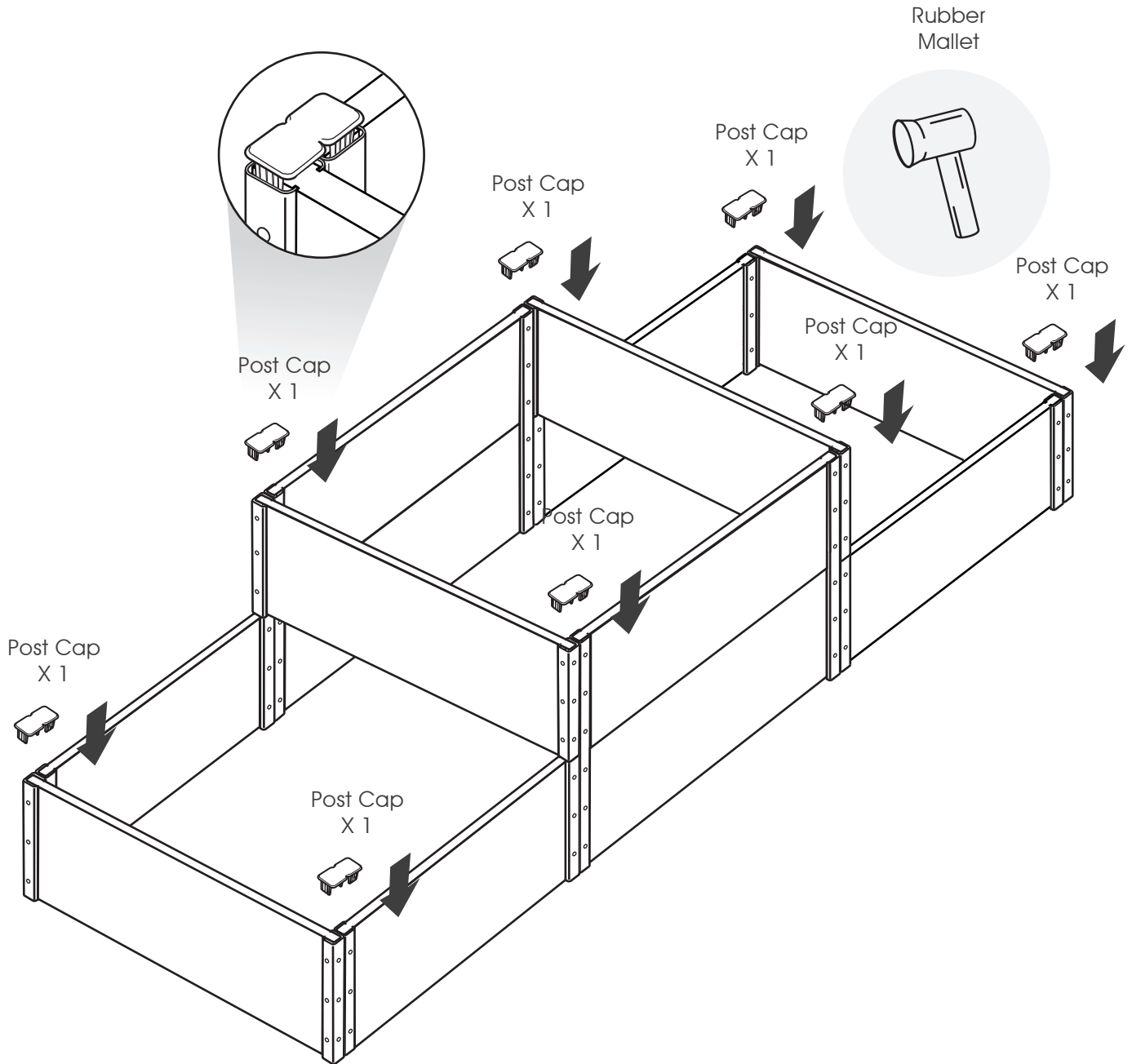


# Assembly 1

Terraced Double Bed Extension - 71" L x 36" W x 7" & 14" H

If necessary, use your rubber mallet to ensure the boards are tightly in place. Cover the brackets with the 8 end caps, as shown in Image 5. Now you get a Low-Hi-Low triple garden bed.

IMAGE 5

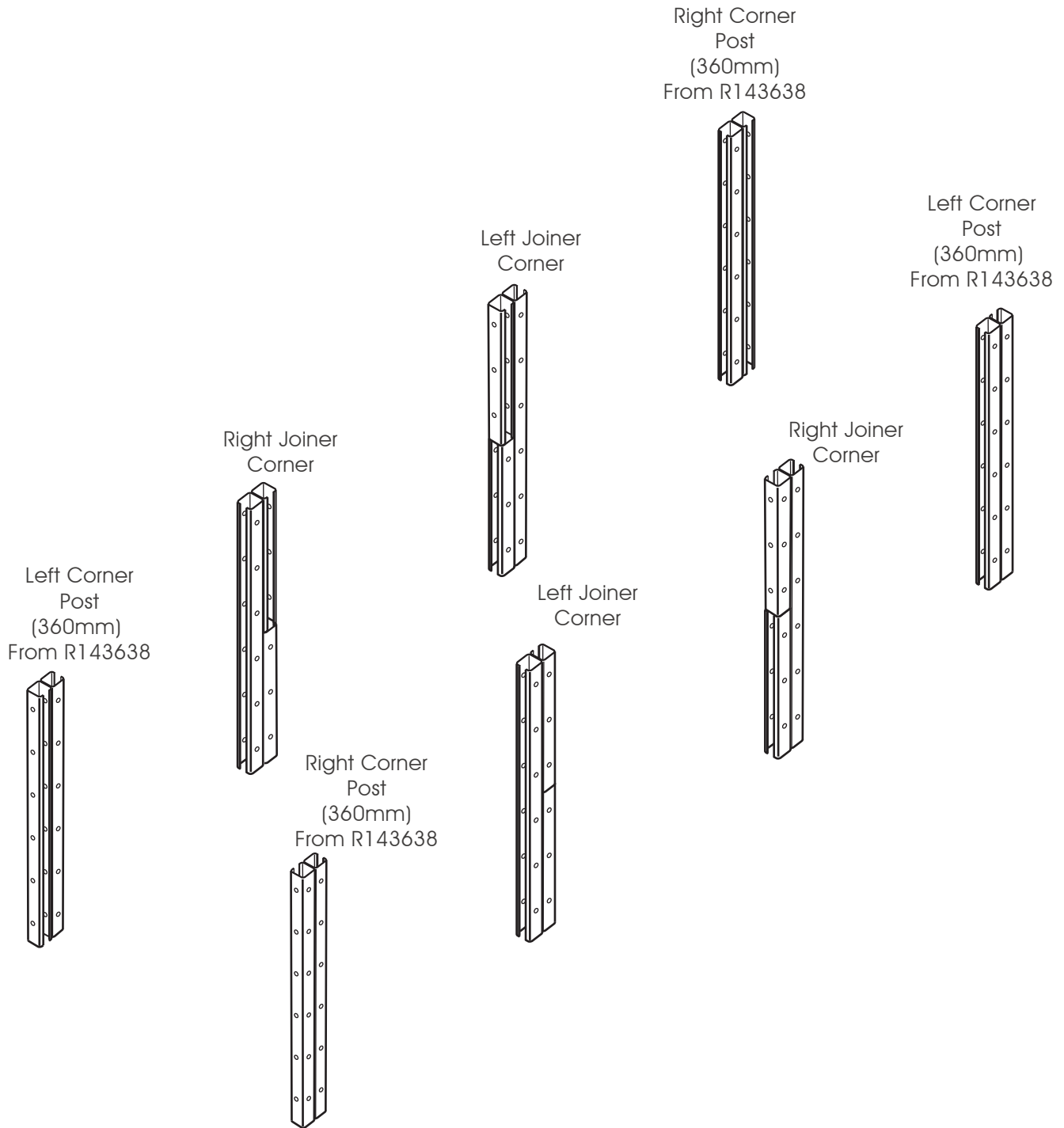


# Assembly 2

Terraced Double Bed Extension - 71" L x 36" W x 7" & 14" H

Start by making sure each corner post is oriented correctly. Reference image 1.

IMAGE 6



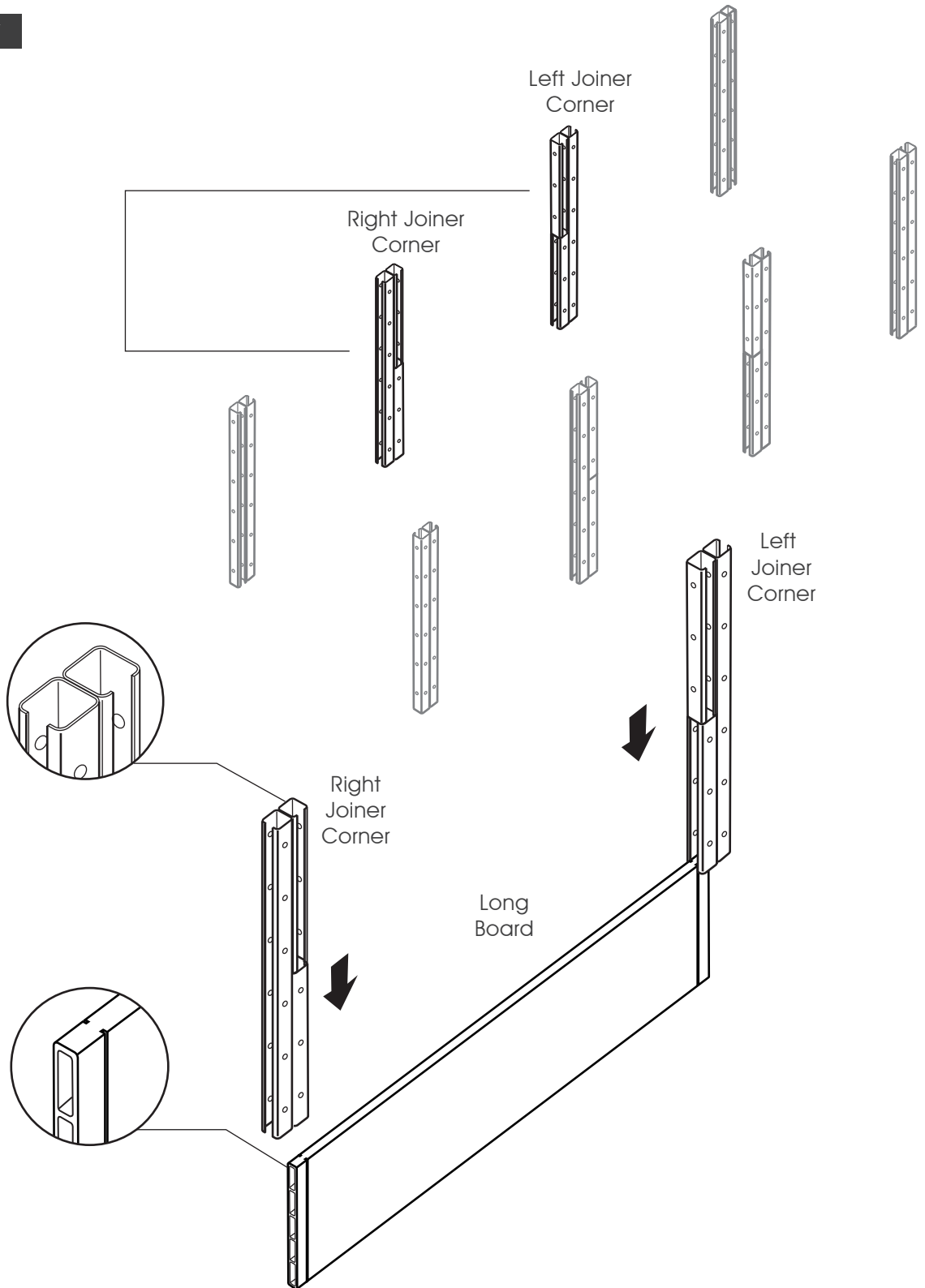


# Assembly 2

Terraced Double Bed Extension - 71" L x 36" W x 7" & 14" H

Fix the right joiner corner and left joiner corner on one long board from above, as shown in Image 7.  
Note: The boards need to be placed in the inward "U" shape of the brackets. (Image 7).

IMAGE 7

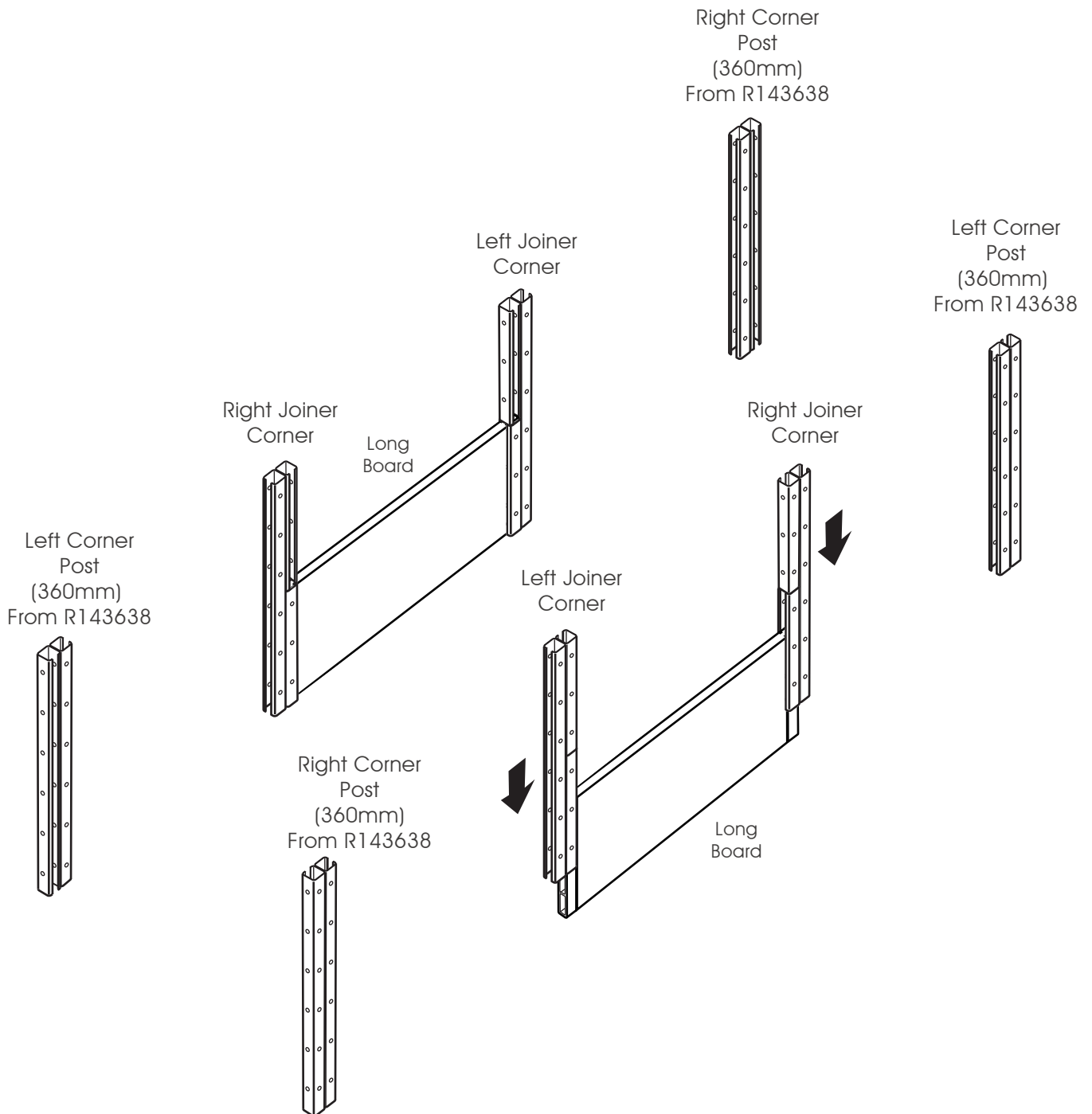


# Assembly 2

Terraced Double Bed Extension - 71" L x 36" W x 7" & 14" H

Fix another two joiner corners on a long board from above, as shown in Image 8.

IMAGE 8

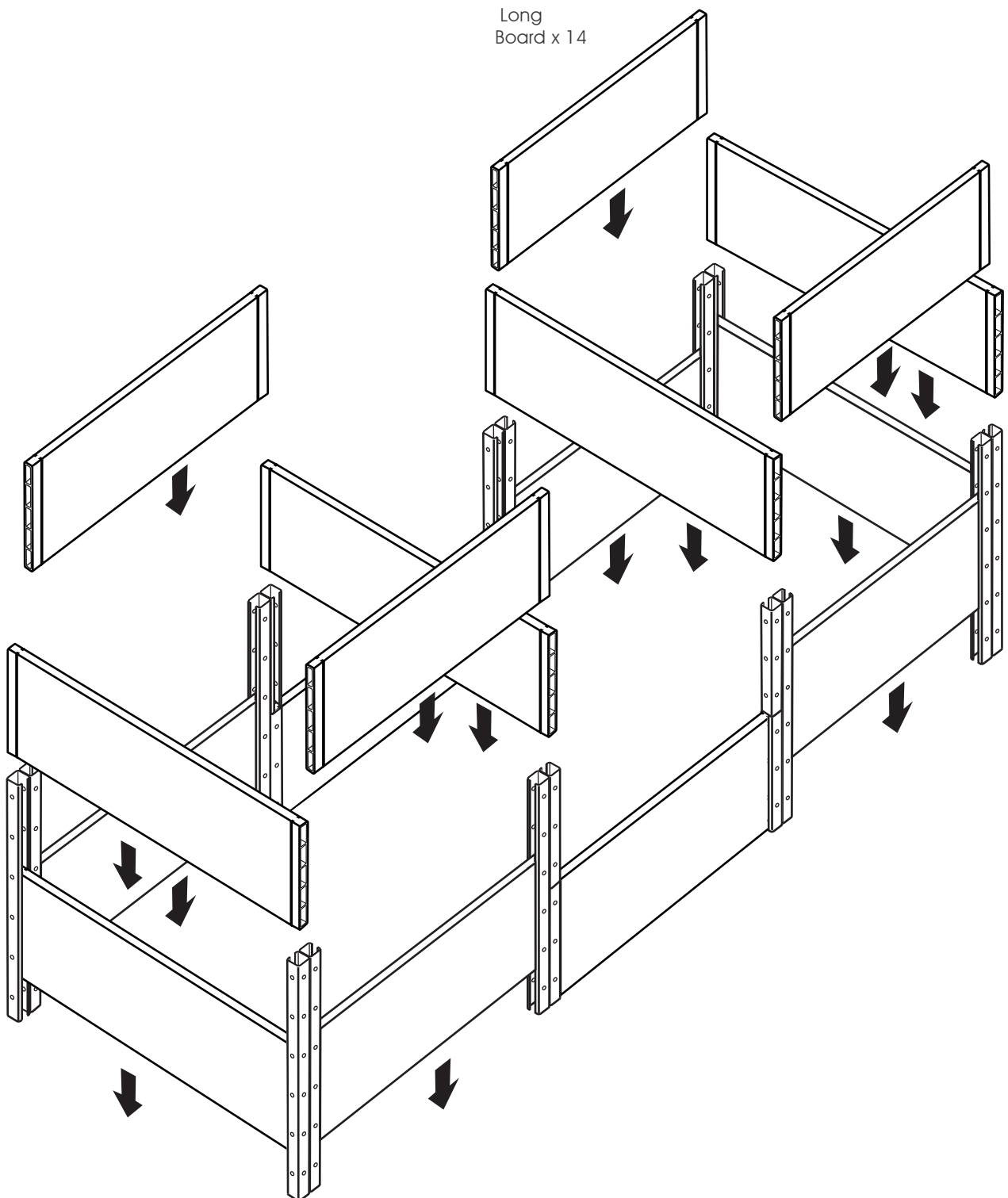


# Assembly 2

Terraced Double Bed Extension - 71" L x 36" W x 7" & 14" H

Slide the rest 14pc boards to form the bed, as shown in Image 9.

IMAGE 9

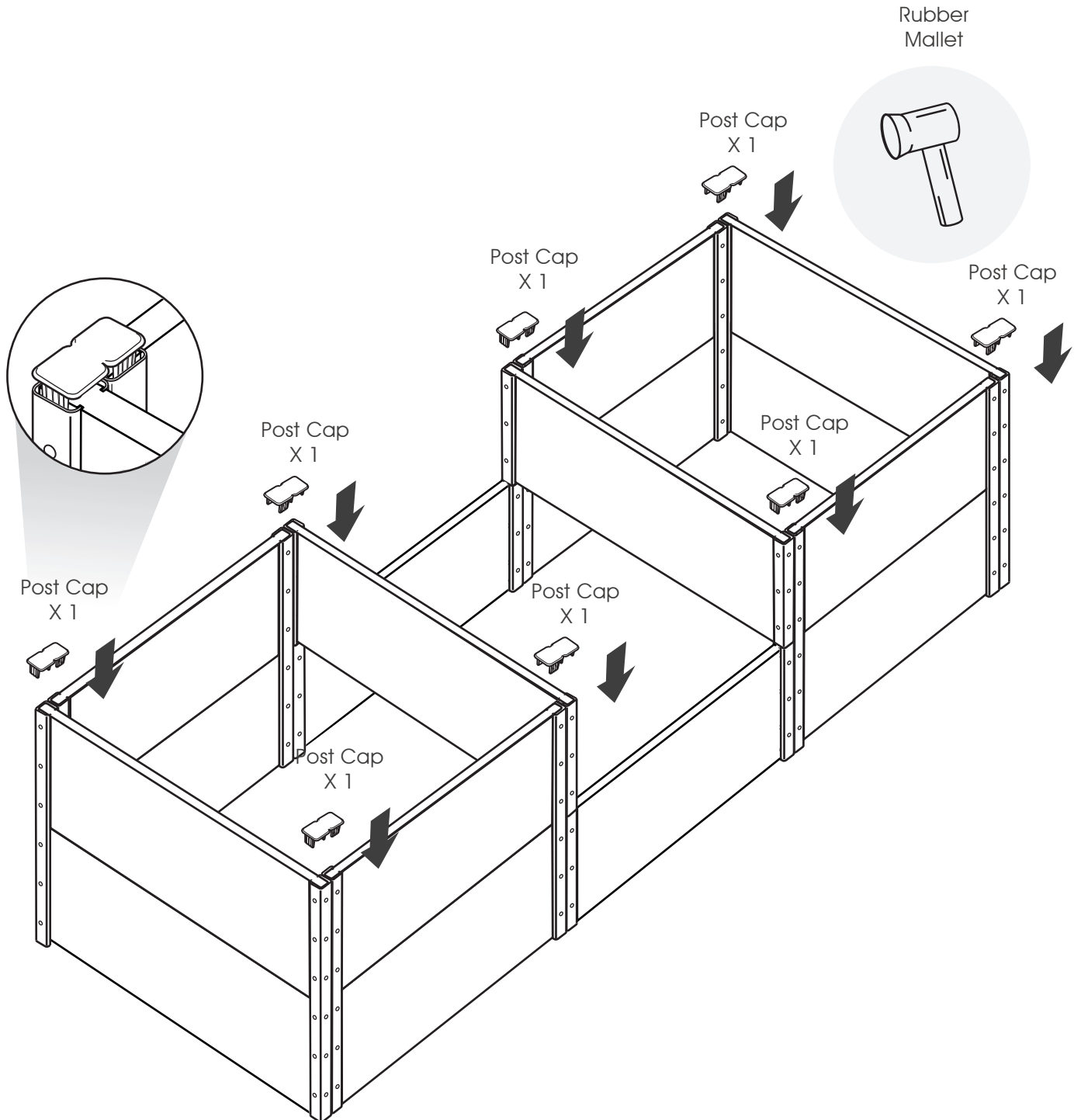


# Assembly 2

Terraced Double Bed Extension - 71" L x 36" W x 7" & 14" H

If necessary, use your rubber mallet to ensure the boards are tightly in place. Cover the brackets with the 8 end caps, as shown in Image 10. Now you get a Hi-Low-Hi triple garden bed.

IMAGE 10

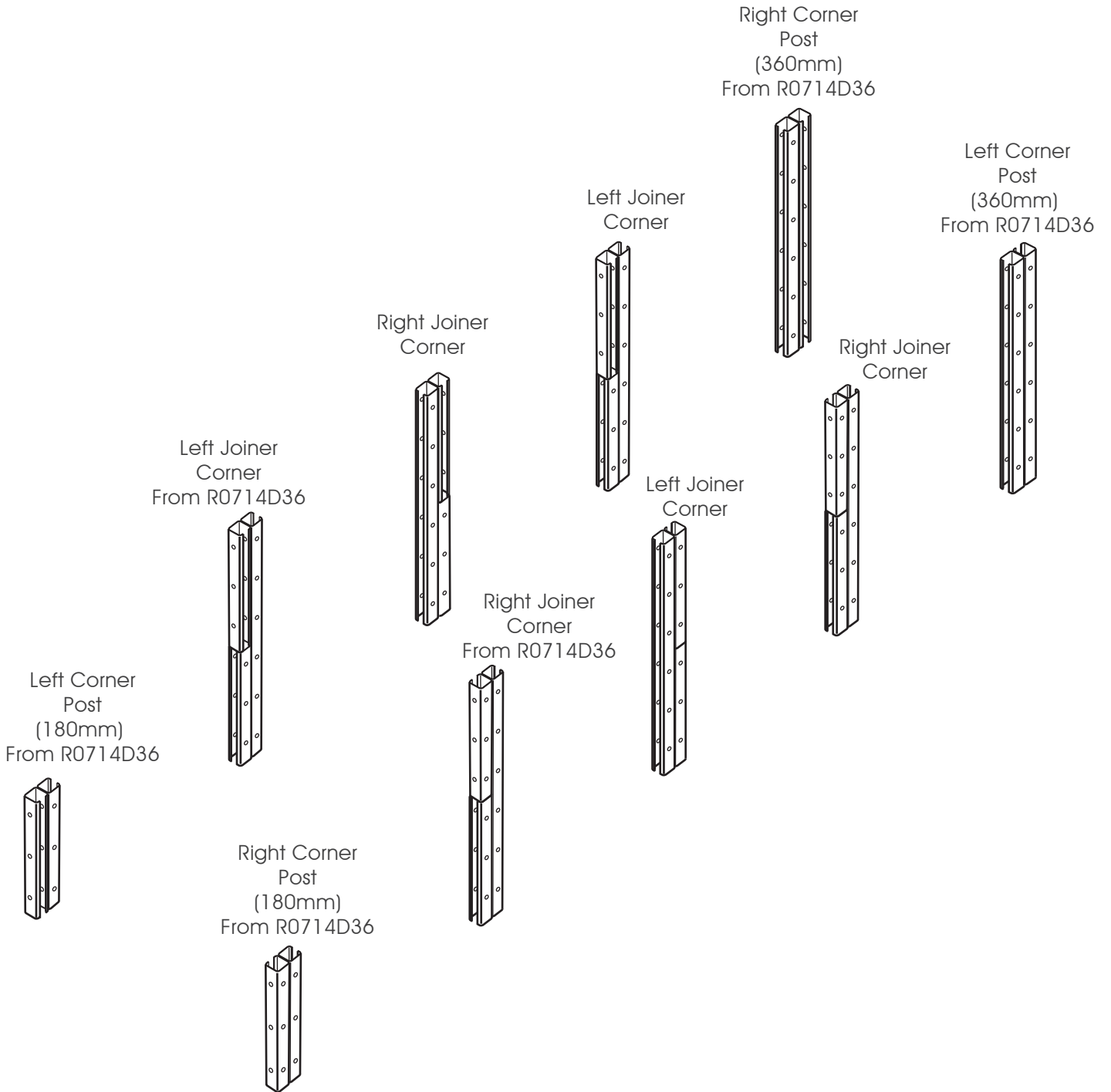


# Assembly 3

Terraced Double Bed Extension - 71" L x 36" W x 7" & 14" H

Start by making sure each corner post is oriented correctly. Reference image 11.

IMAGE 11

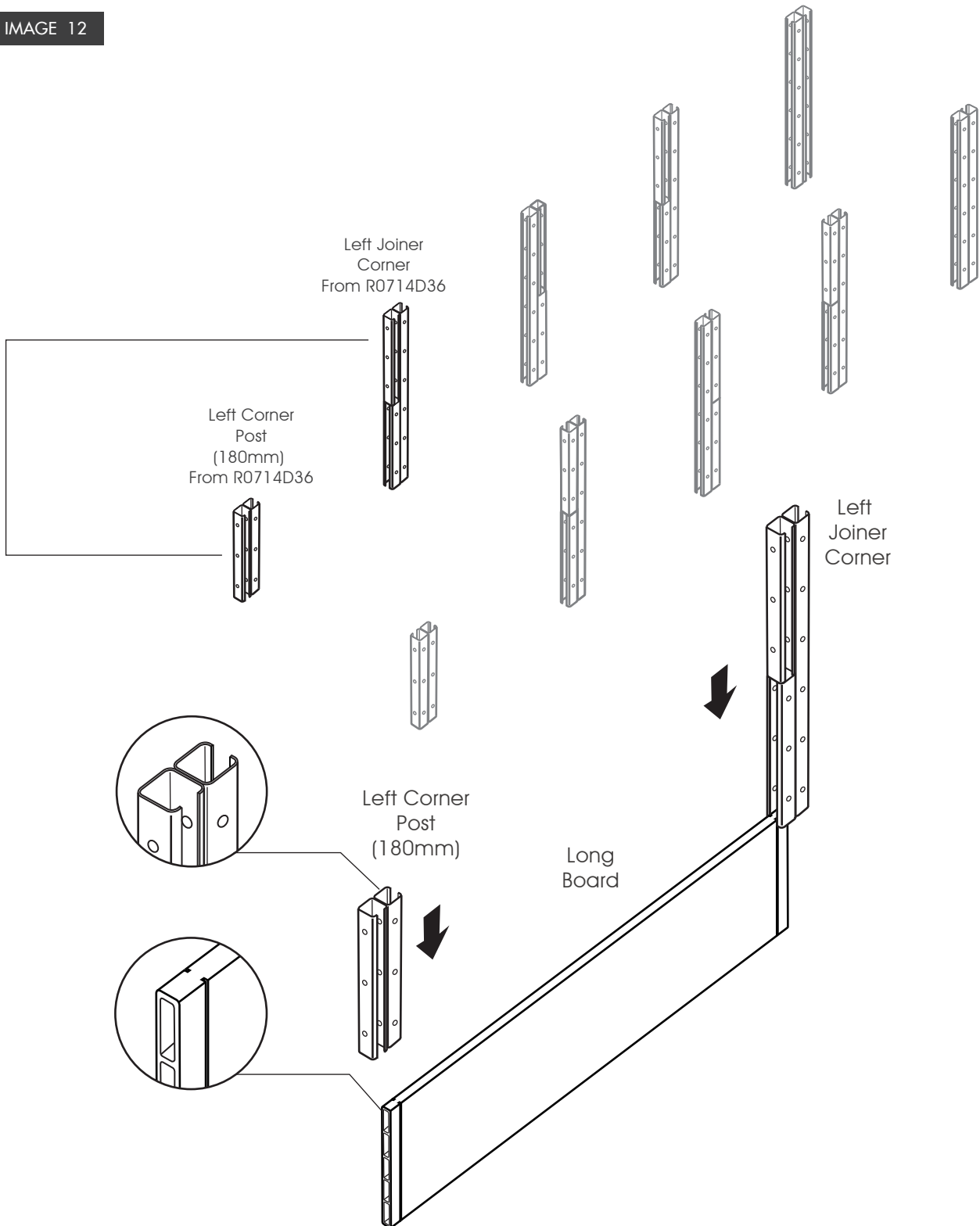


# Assembly 3

Terraced Double Bed Extension - 71" L x 36" W x 7" & 14" H

Fix the left joiner corner and left corner post (180mm) on one long board from above, as shown in Image 12. Note: The boards need to be placed in the inward "U" shape of the brackets. (Image 12).

IMAGE 12

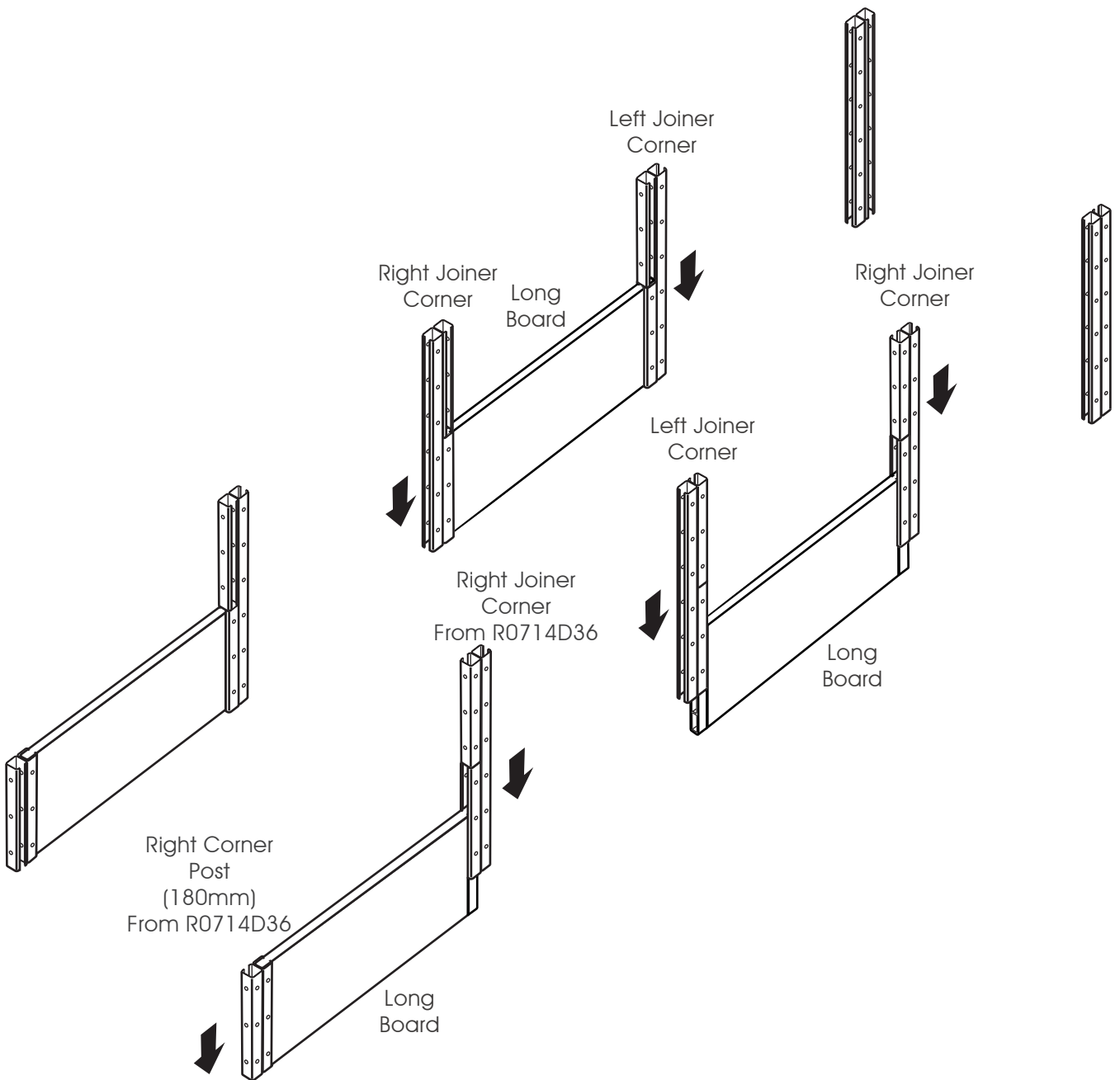


# Assembly 3

Terraced Double Bed Extension - 71" L x 36" W x 7" & 14" H

Fix other joiner corners and corner posts on long boards from above, as shown in Image 13.

IMAGE 13

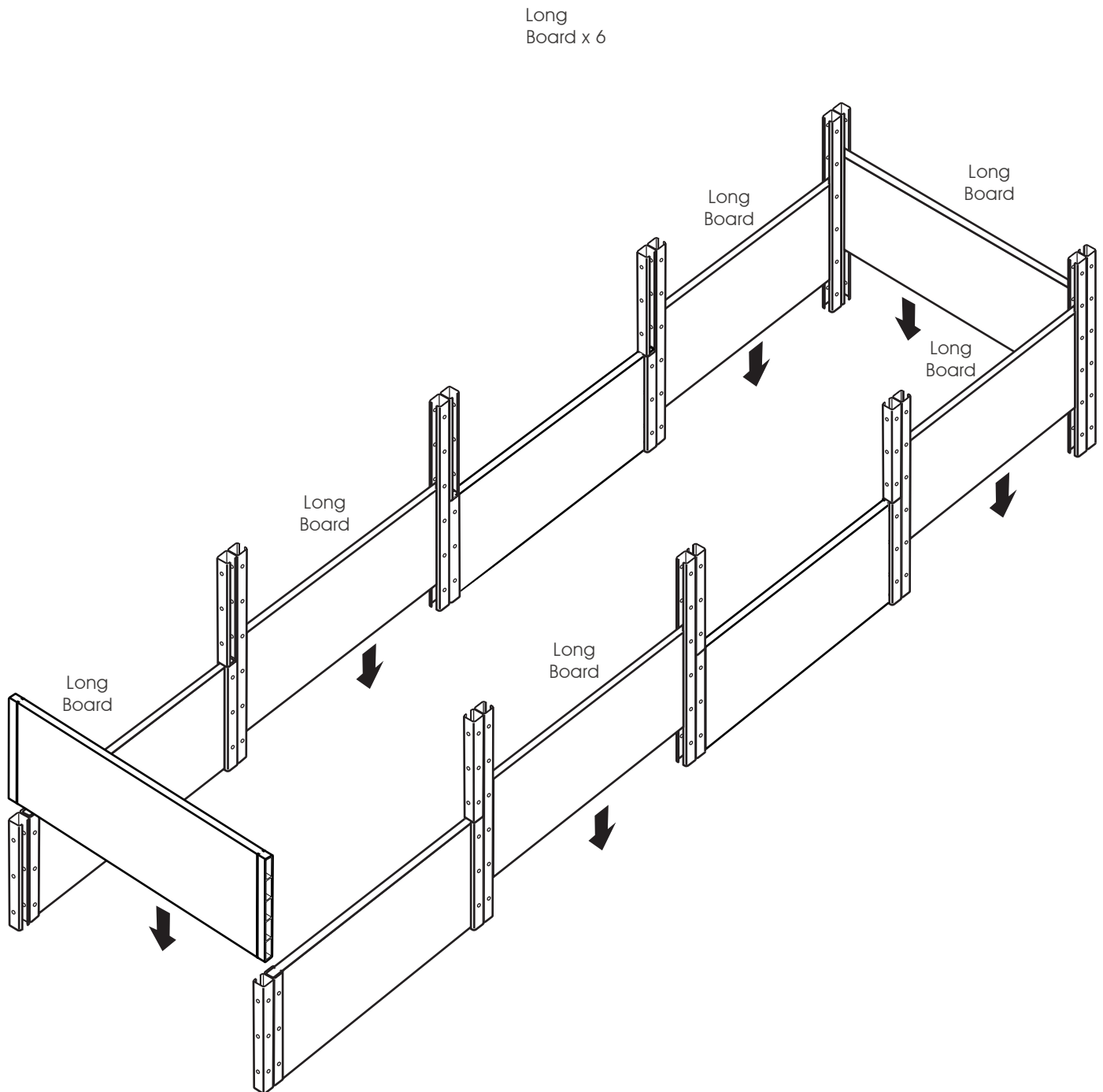


# Assembly 3

Terraced Double Bed Extension - 71" L x 36" W x 7" & 14" H

Slide 6pc boards to form the first layer of the bed, as shown in Image 14.

IMAGE 14



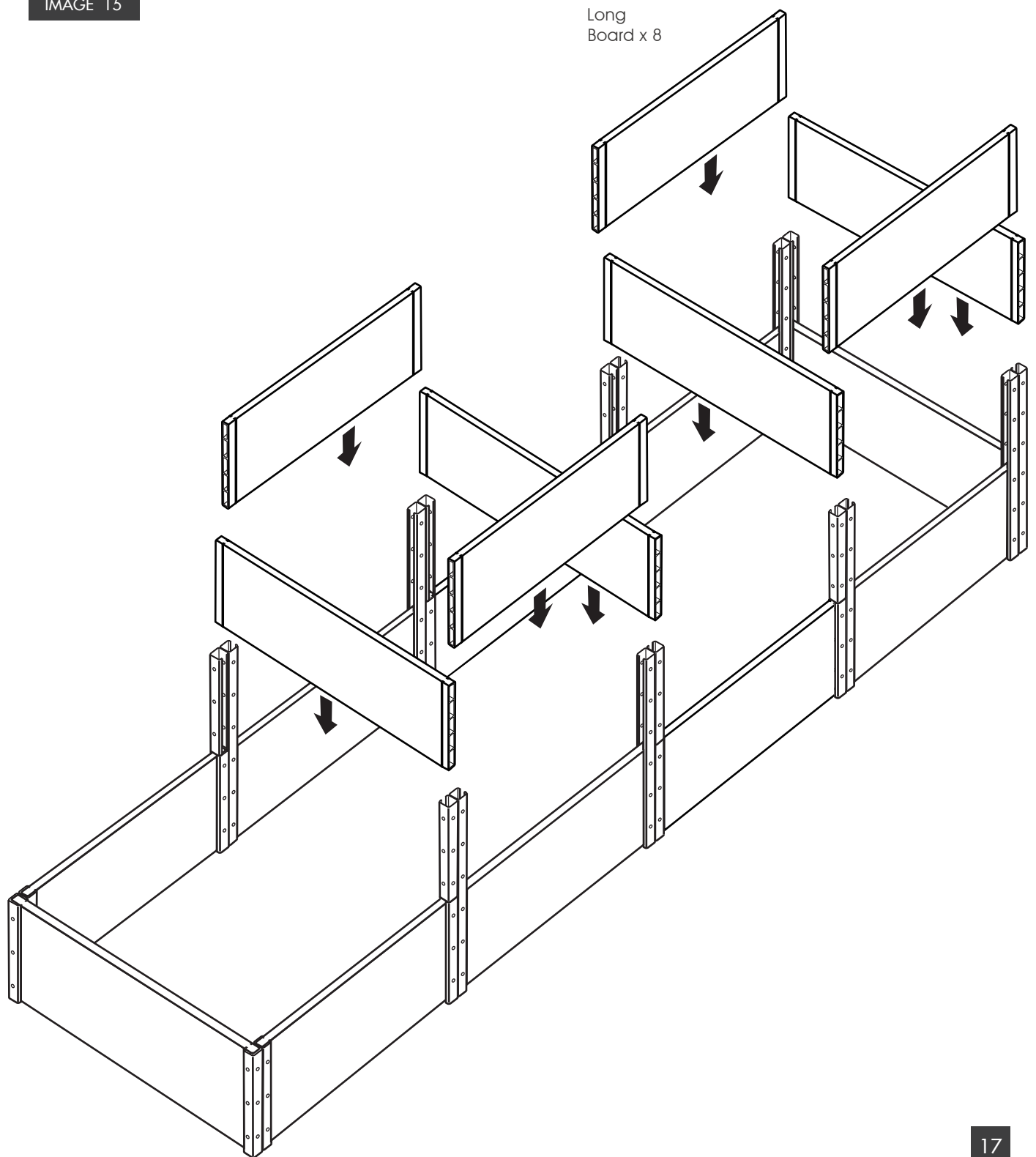


# Assembly 3

Terraced Double Bed Extension - 71" L x 36" W x 7" & 14" H

Slide 8pc boards to form the second layer of the bed, as shown in Image 15.

IMAGE 15

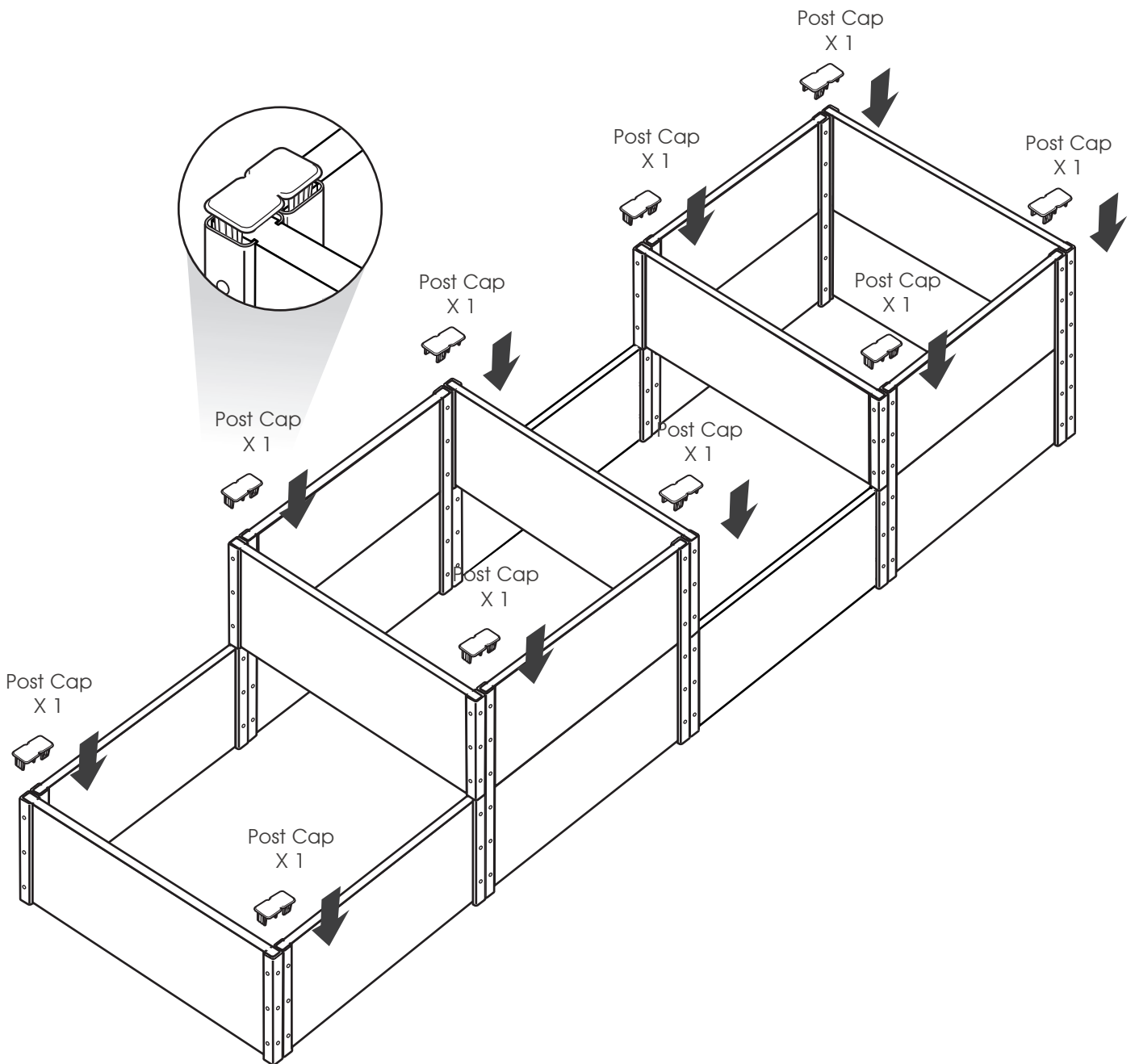


# Assembly 3

Terraced Double Bed Extension - 71" L x 36" W x 7" & 14" H

If necessary, use your rubber mallet to ensure the boards are tightly in place. Cover the brackets with the 10 end caps, as shown in Image 10. Now you get a Hi-Low-Hi-Low quadruple garden bed.

IMAGE 16



# Notes

## Terraced Double Bed Extension - 71" L x 36" W x 7" & 14" H

---

Sometimes there might be a misalignment of the Corner Posts as shown in Image 17 and Image 18, which may result in difficulty of sliding boards into the brackets. Please adjust them to the right position so that they are parallel to each other, and perpendicular to the ground.

IMAGE 17

Assembling Problem 1

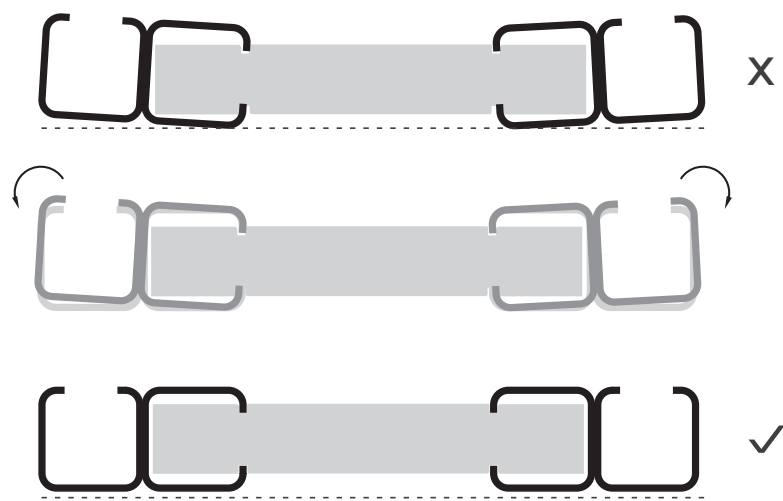
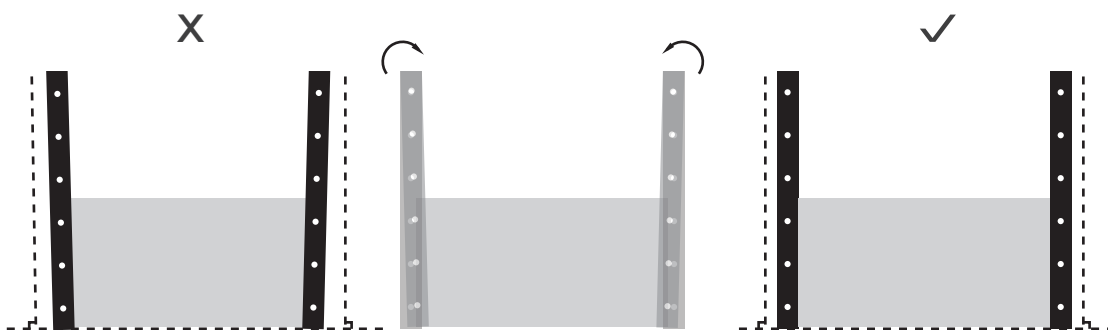


IMAGE 18

Assembling Problem 2



# Bloom On.

**Everbloom-Garden.com**

US Patent Pending

★ Subscribe at [www.everbloom-garden.com](http://www.everbloom-garden.com) for  
extra savings and upgrading information!

Distributed by:  
Dynaforge Trading LLC  
St. Paul, MN55101  
Email: [service@everbloom-garden.com](mailto:service@everbloom-garden.com)