



---

## Mini Cascade Garden Bed

### Installation Guide

---

### Thank You!

You're only a few steps away from your perfect vegetable garden or elevated planter. We hope you enjoy!

Model# R0714C2124  
Dimensions 21" L x 24" W x 7" & 14" H

### Before You Start

Please read the instructions carefully to familiarize yourself with every detail and step involved. Keep this manual for future reference. Find a suitable space to assemble your new Mini Cascade Garden Bed.

You need at least 21" x 24" (54 x 61cm) for the finished product. A flat and firm area (like a garage floor or flat yard space) is perfect! The only tool you may need is a rubber mallet.

### Important Notes

Small parts are included; we advise you to keep them away from children and pets.

We also suggest having another person help you assemble. Maximum Load capacity: approximately 2.6 cu. ft. of soil

★ **Subscribe at [www.everbloom-garden.com](http://www.everbloom-garden.com) for extra savings and upgrading information!**



**Everbloom-Garden.com**

Questions or Comments?

Email us at [service@everbloom-garden.com](mailto:service@everbloom-garden.com)

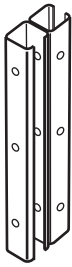
# Parts List

Mini Cascade Garden Bed - 21" L x 24" W x 7" & 14" H

---

Left Corner Post  
(180mm) X 2

Top



Bottom

Right Corner Post  
(180mm) X 2

Top



Bottom

Left Corner Post  
(360mm) X 1

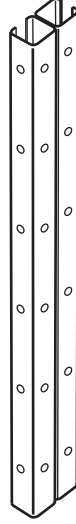
Top



Bottom

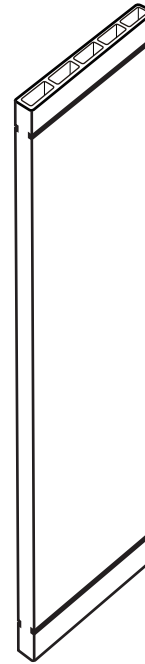
Right Corner Post  
(360mm) X 1

Top



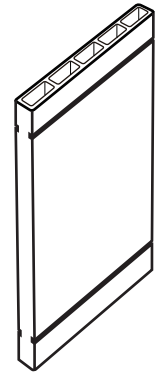
Bottom

Short Board A  
X 6



540mm

Short Board B  
X 2



240mm

---

Securing Plate  
X 2



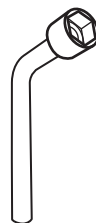
Bolt  
X 2



Nut  
X 2



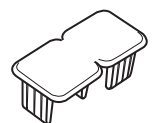
Nut Driver  
X 1



Hex Key  
X 1



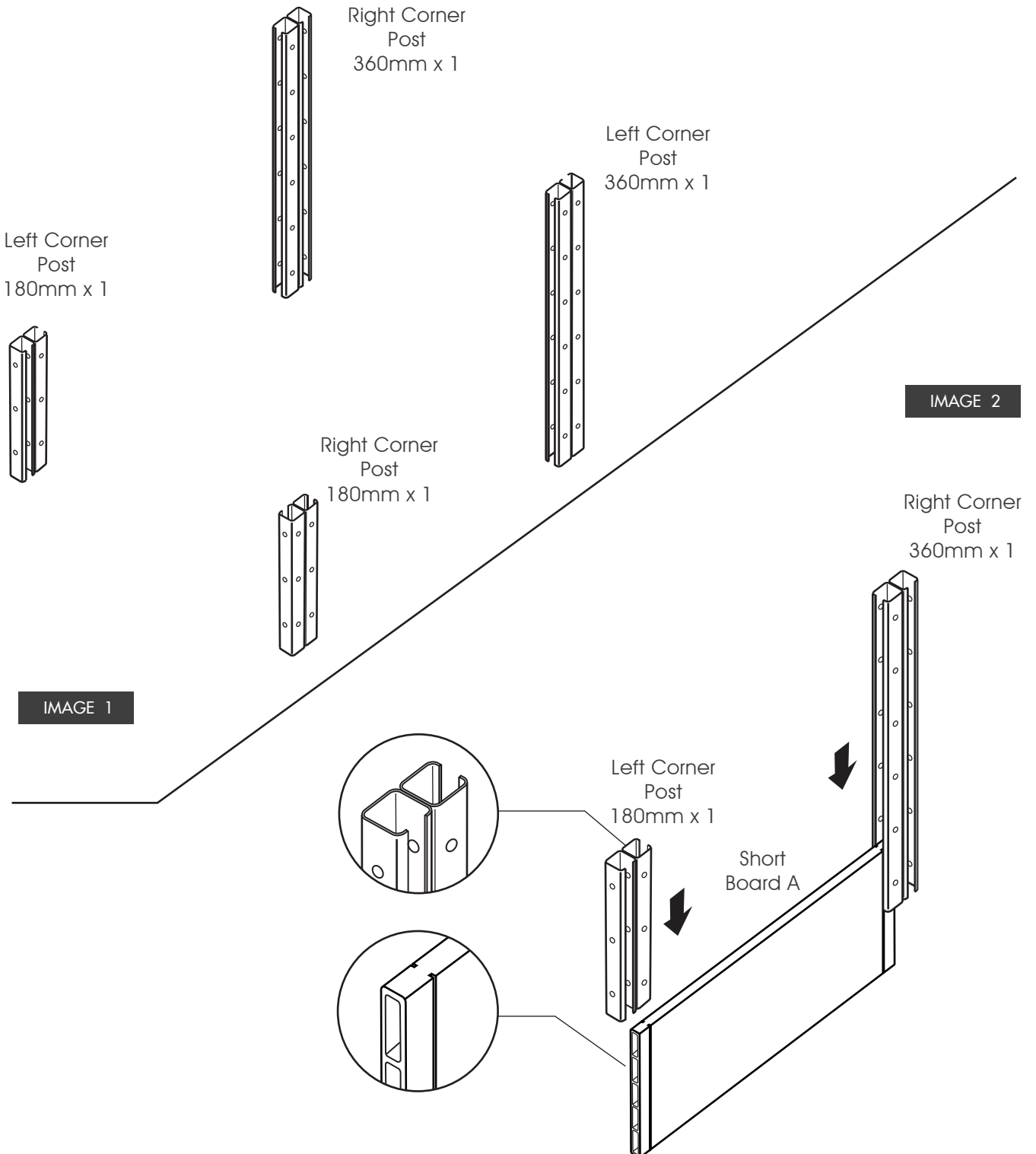
Post Cap  
X 6



# Assembly

Mini Cascade Garden Bed - 21" L x 24" W x 7" & 14" H

Start by making sure each corner post is oriented correctly. Reference Image 1. Fix the right corner post (360mm) and left corner post (180mm) on one short board A from above, as shown in Image 2.  
Note: The boards need to be placed in the inward "U" shape of the brackets. (Image 2).



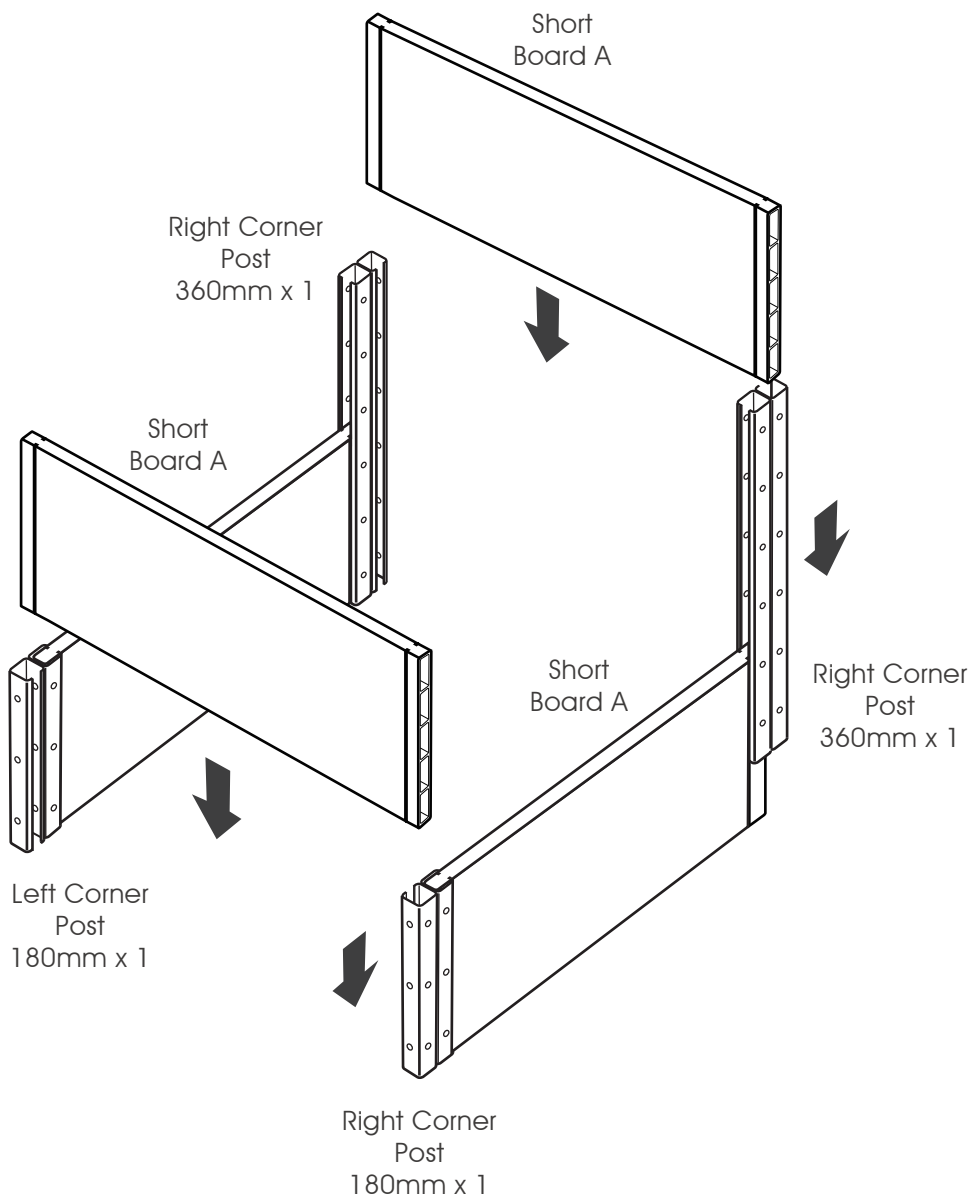
# Assembly

Mini Cascade Garden Bed - 21" L x 24" W x 7" & 14" H

---

Fix the other right corner post (360mm) and the left corner post (180mm) on another short board A from above, and slide two short boards A into the corner posts from above, as shown in Image 3.

IMAGE 3



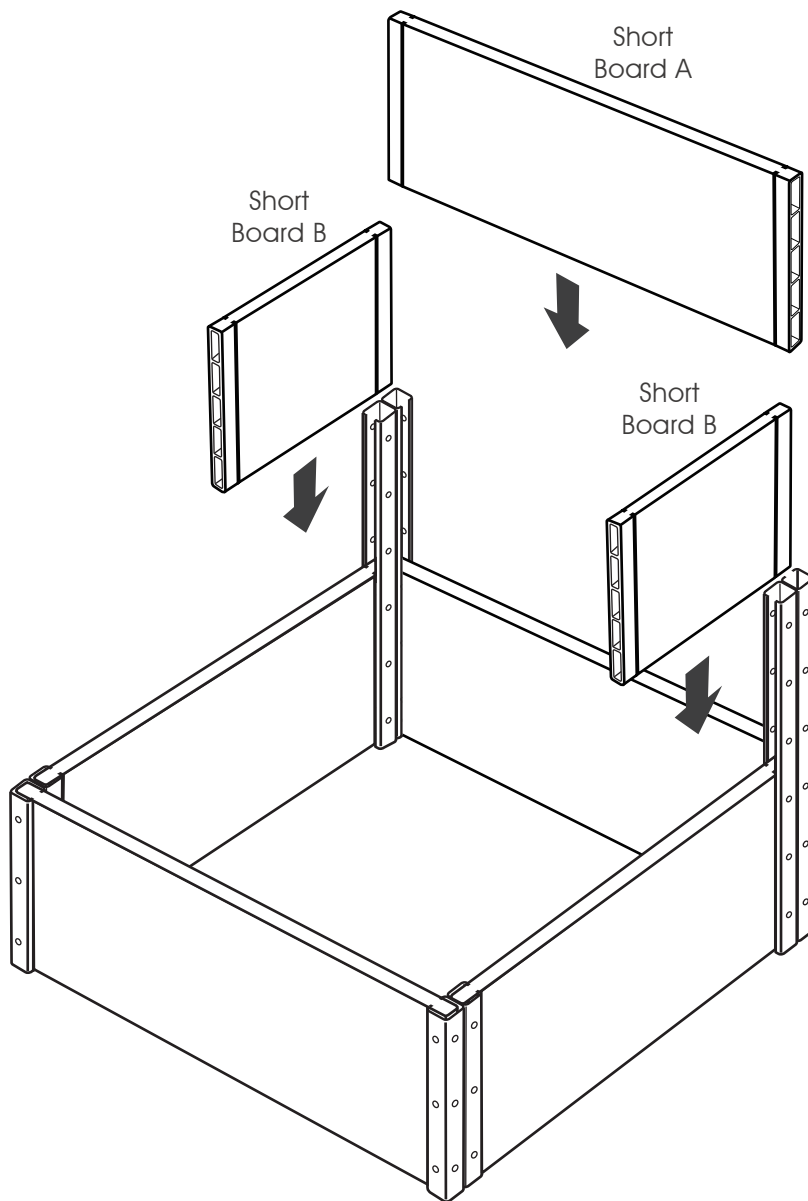
# Assembly

Mini Cascade Garden Bed - 21" L x 24" W x 7" & 14" H

---

Slide one short board A and two short boards B from above to form the second layer, as shown in Image 4.  
Note: Don't swivel the short boards on long sides to prevent them splite from the steel posts.

IMAGE 4

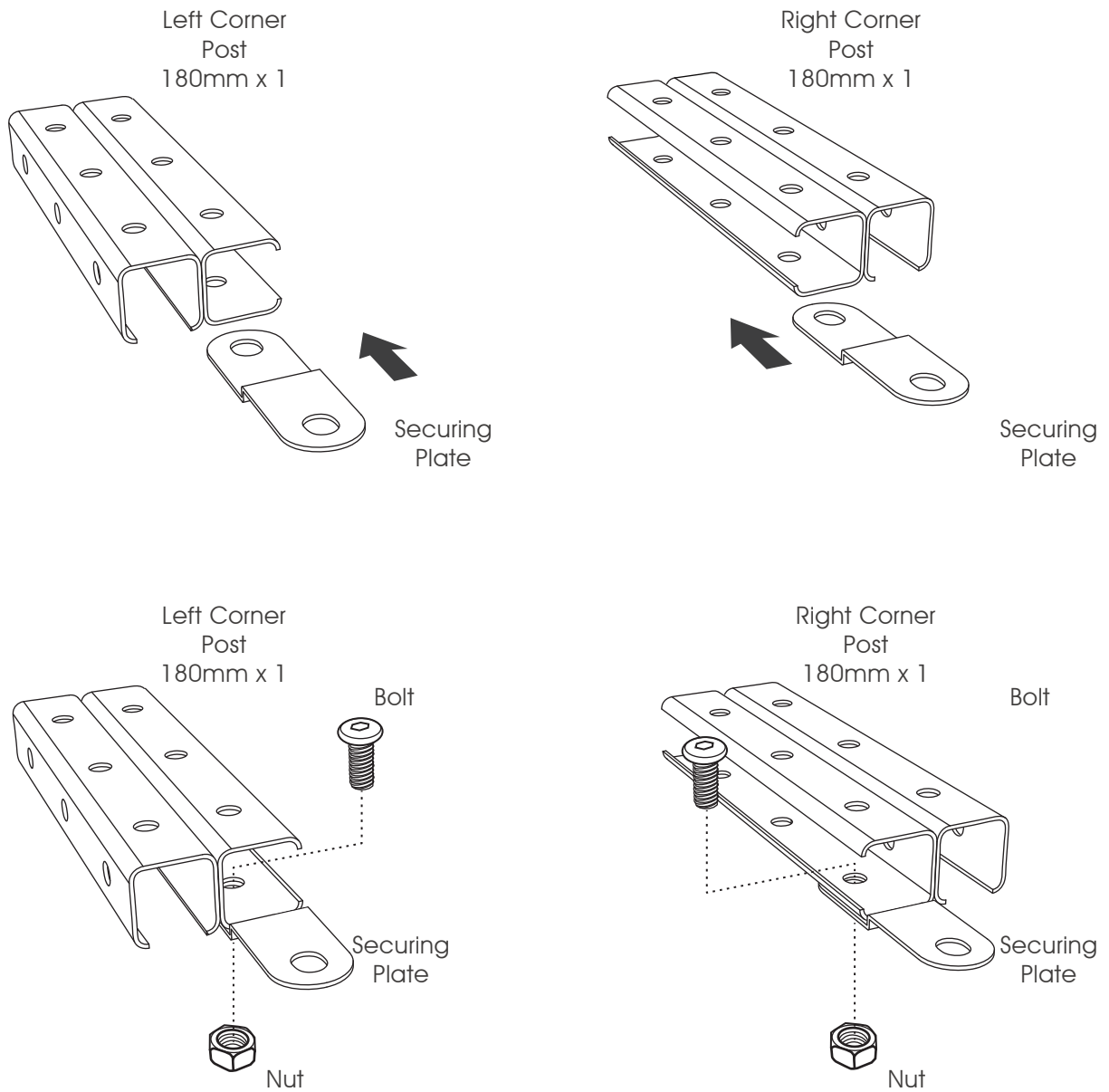


# Assembly

Mini Cascade Garden Bed - 21" L x 24" W x 7" & 14" H

Fix the securing plates on corner posts (180mm) with bolts and nuts, as shown in Image 5.

IMAGE 5



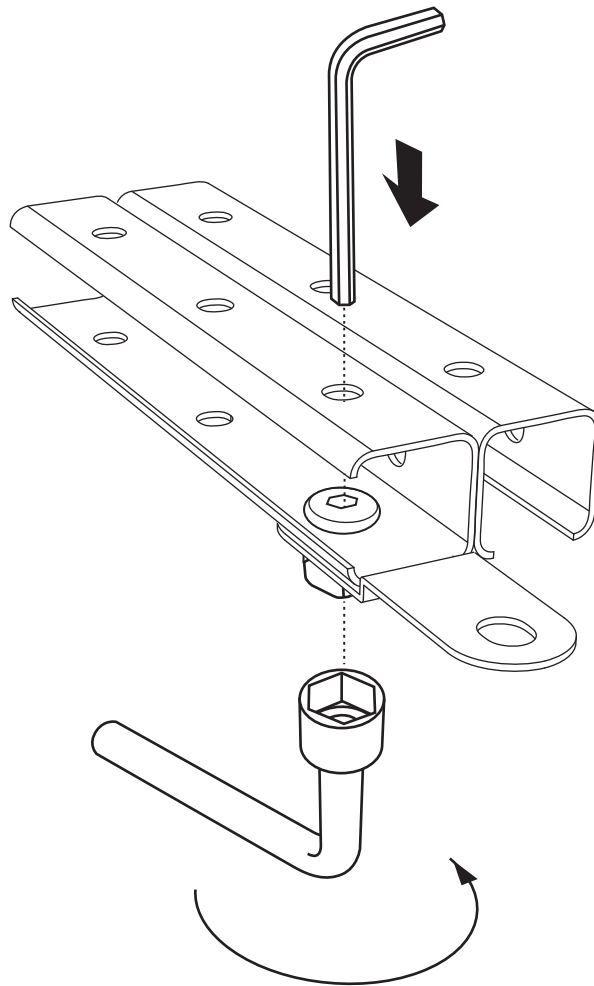
# Assembly

Mini Cascade Garden Bed - 21" L x 24" W x 7" & 14" H

---

Fasten the bolts and nuts with hex key and nut driver, as shown in Image 6.

IMAGE 6



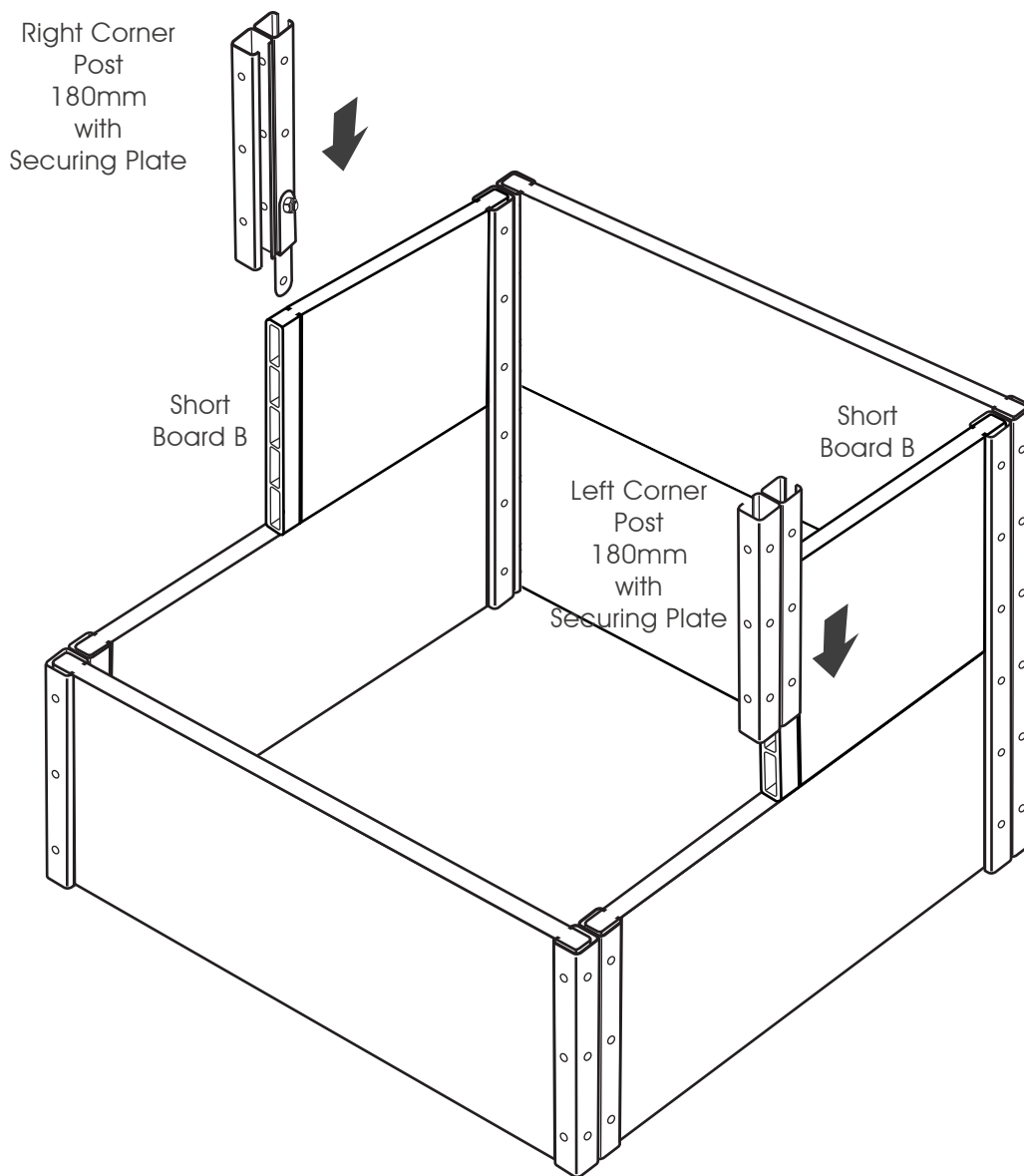
# Assembly

Mini Cascade Garden Bed - 21" L x 24" W x 7" & 14" H

---

Slide these two post brackets with securing plates onto the short boards B from above, as shown in Image 7.

IMAGE 7





# Assembly

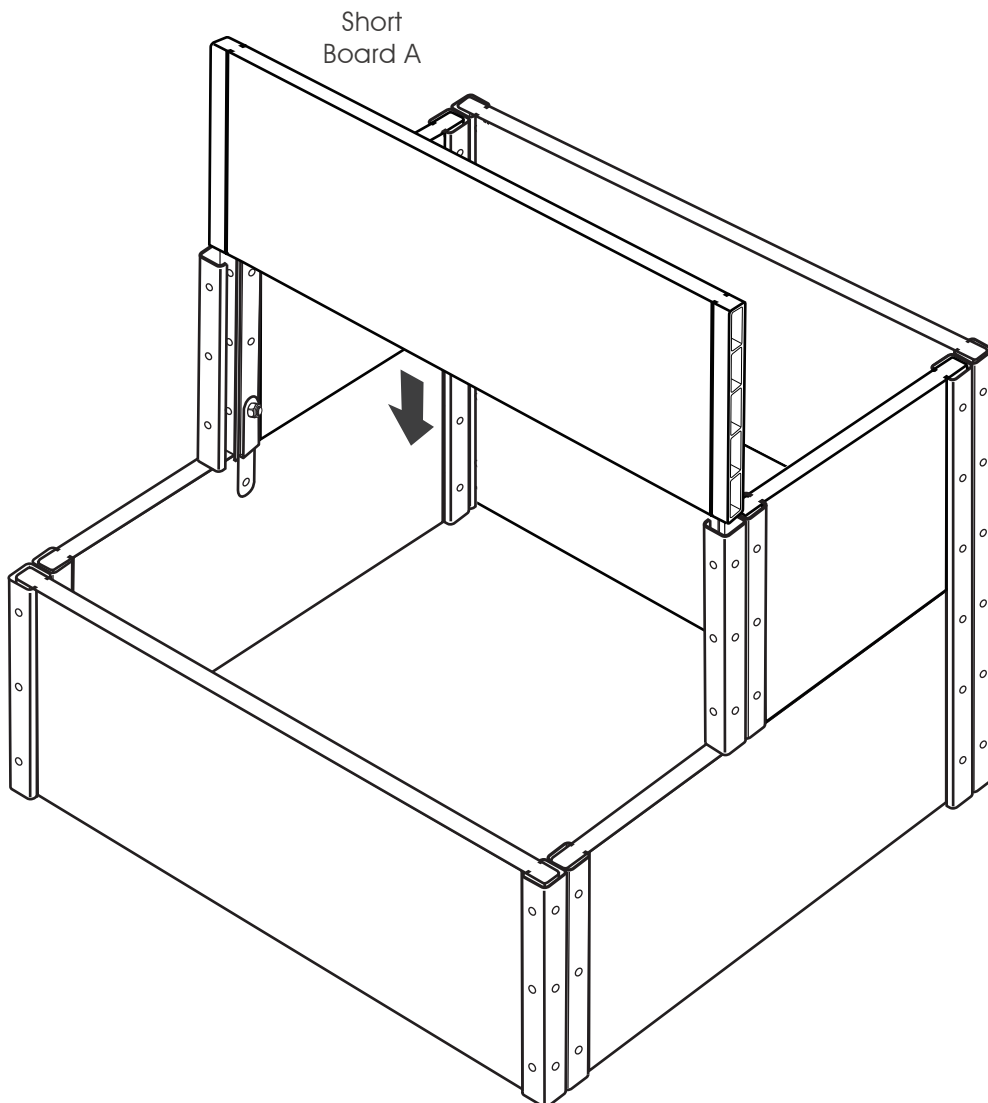
Mini Cascade Garden Bed - 21" L x 24" W x 7" & 14" H

---

Slide the last short board A from above, as shown in Image 8.

Note: It is not necessary to screw the securing plates onto the boards. The securing plates will prevent the short boards B from moving sideways after the last short board A is inserted. But if you want to secure them with screws (not included), please make sure not to overdrive. The WPC boards might be fragile when screws are overdriven, and not capable of holding the screws in place.

IMAGE 8

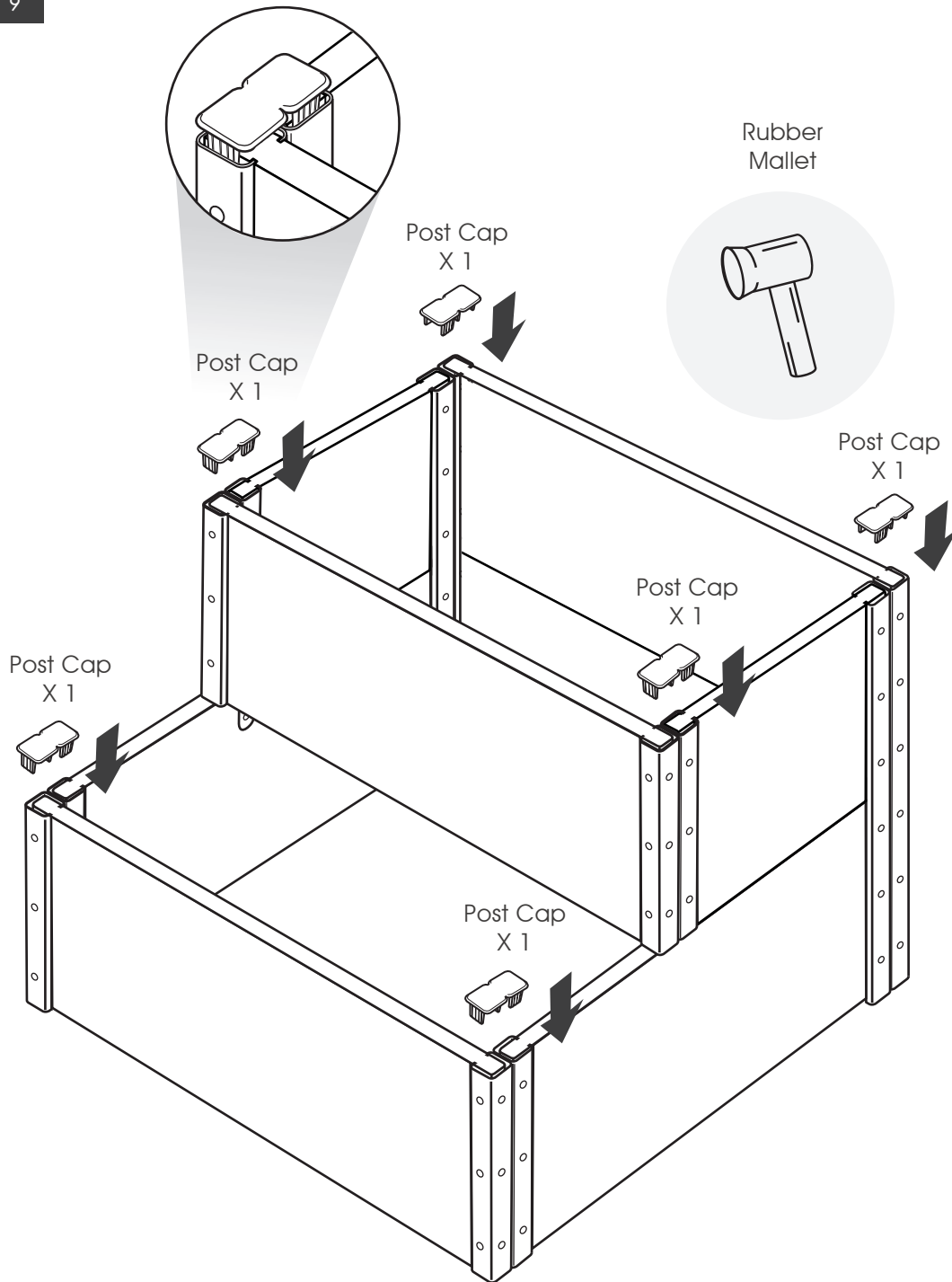


# Assembly

Mini Cascade Garden Bed - 21" L x 24" W x 7" & 14" H

If necessary, use your rubber mallet to ensure the boards are tightly in place. Cover the brackets with the 6 end caps, as shown in Image 9. Then, you get an Everbloom Mini Cascade Garden Bed.

IMAGE 9



# Notes

Mini Cascade Garden Bed - 21" L x 24" W x 7" & 14" H

---

Sometimes there might be a misalignment of the Corner Posts as shown in Image 10 and Image 11, which may result in difficulty of sliding boards into the brackets. Please adjust them to the right position so that they are parallel to each other, and perpendicular to the ground.

IMAGE 10

Assembling Problem 1

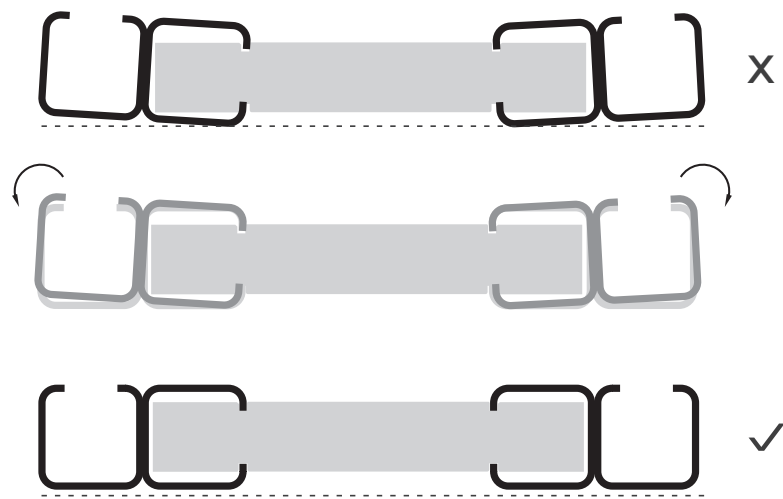
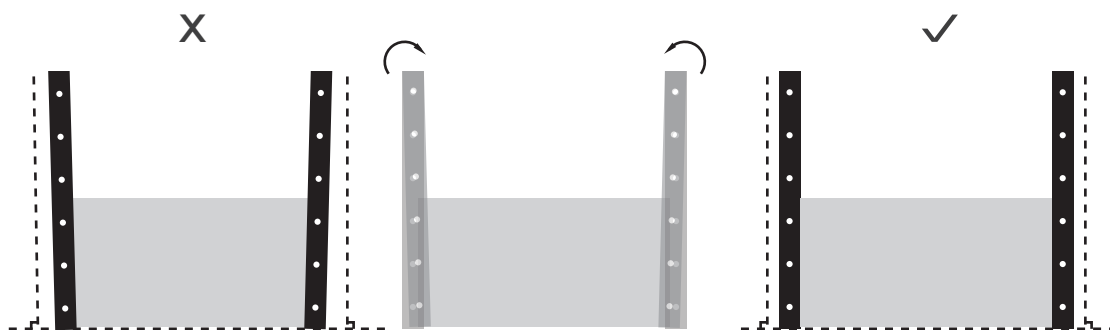


IMAGE 11

Assembling Problem 2



# Bloom On.

**Everbloom-Garden.com**

US Patent Pending

★ Subscribe at [www.everbloom-garden.com](http://www.everbloom-garden.com) for  
extra savings and upgrading information!

Distributed by:  
Dynaforge Trading LLC  
St. Paul, MN55101  
Email: [service@everbloom-garden.com](mailto:service@everbloom-garden.com)