

The logo for Everbloom, featuring the brand name in a white, cursive script font with a registered trademark symbol (®) to the upper right, set against a dark grey rectangular background.

Single Raised Garden Bed

3' L x 3' W x 14" H

Installation Guide

BEFORE YOU START

Please Read the instructions carefully to familiarize yourself with every detail and step involved. Keep this manual for future reference. Find a suitable space to assemble the Everbloom Garden Bed.

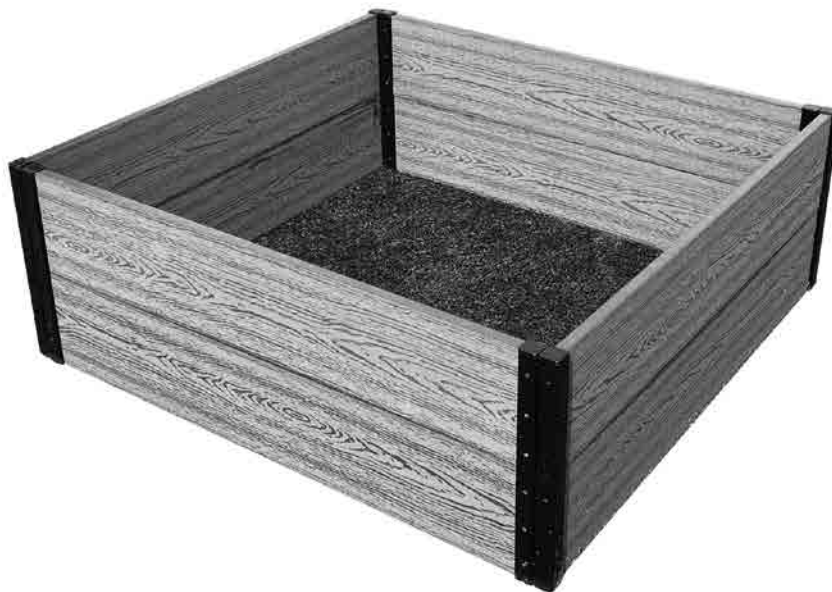
You need at least 41" x 38.2" (104 x 97cm) for the finished product. A flat and firm area (like a garage floor or flat yard space) is perfect! The only tool you may need is a rubber mallet.

IMPORTANT NOTES

Small parts are included; we advise you to keep them away from children and pets.

We also suggest having another person help you assemble.

Load capacity: approximately 11 cu. ft. of soil

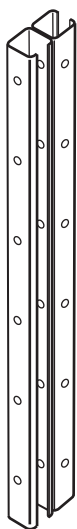


PARTS LIST

2H / 3' x 3' Single Raised Garden Bed

Left Corner
Post
X 2

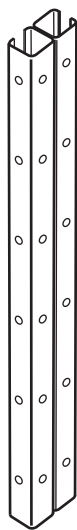
Top



Bottom

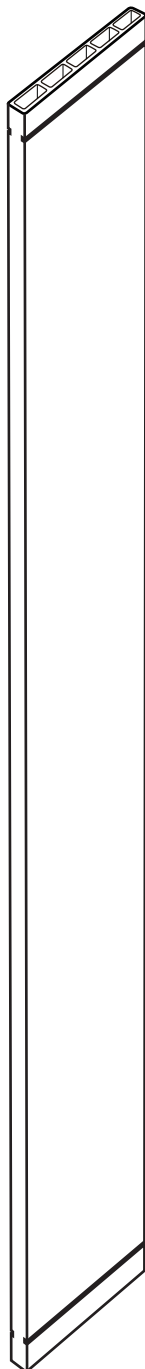
Right Corner
Post
X 2

Top



Bottom

Long Board
X 8



960mm

Garden Bed
Liner
X 1



Post Cap
X 8



ASSEMBLY

2H / 3' x 3' Single Raised Garden Bed

Start by making sure each corner post is oriented correctly. Reference image 1. Slide one long board into the corner posts from above.

Note: The long boards need to be placed in the inward "U" shape of the brackets. (Image 2).

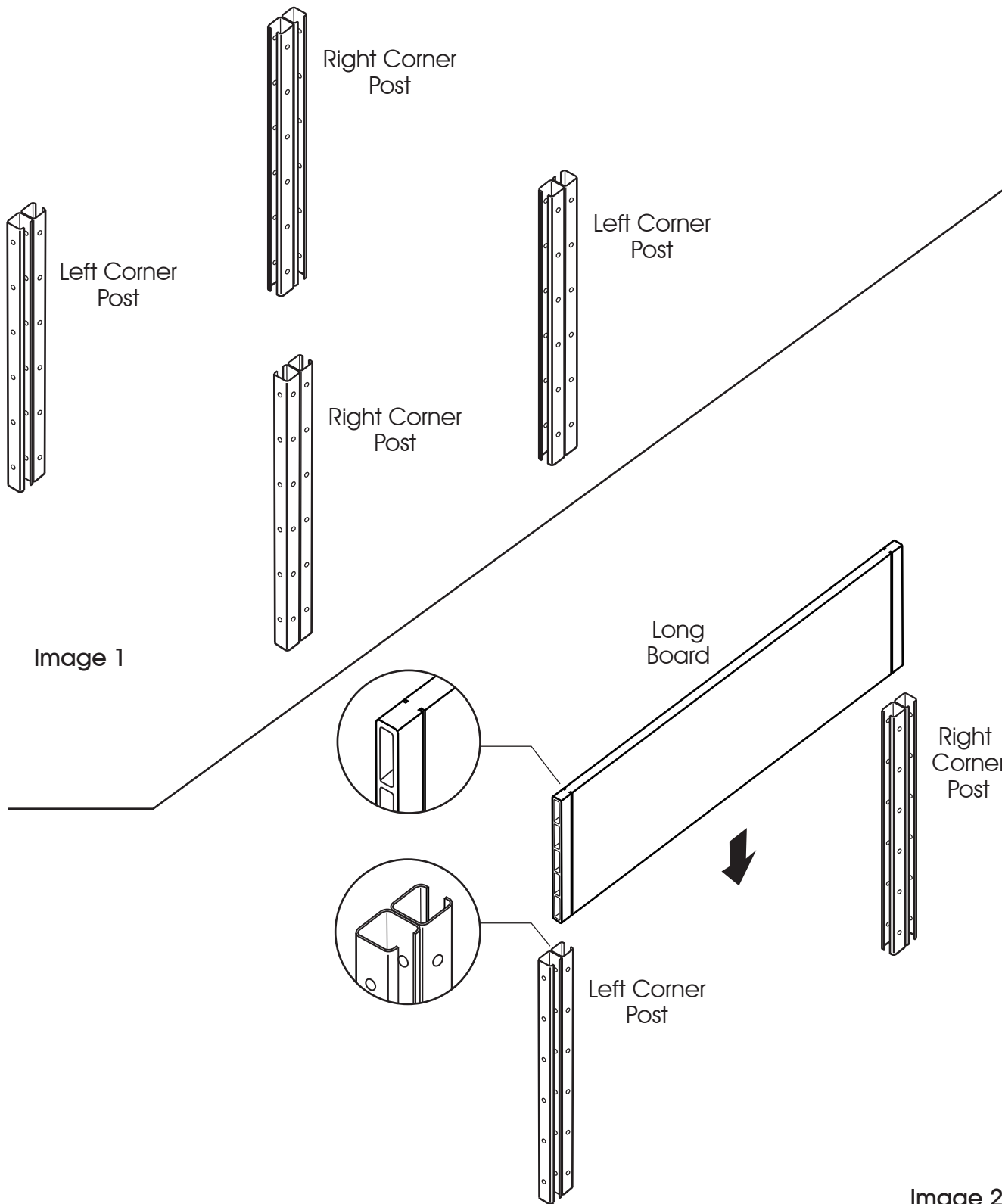


Image 2

ASSEMBLY

2H / 3' x 3' Single Raised Garden Bed

Slide other three long boards into the corner posts from above, as shown in Image 3.

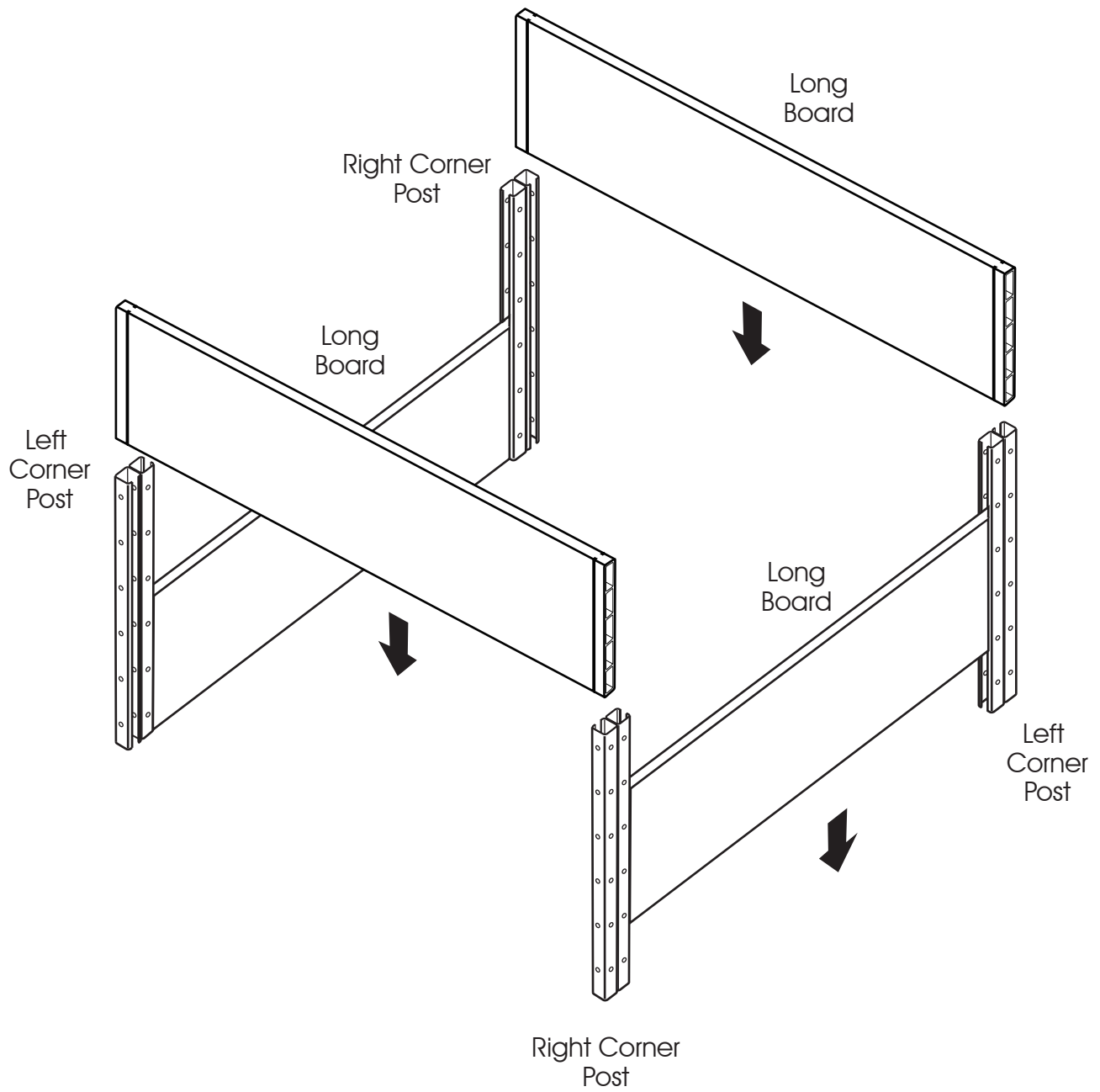


Image 3

ASSEMBLY

2H / 3' x 3' Single Raised Garden Bed

Slide the rest four long boards to form the second layer, as shown in Image 4.

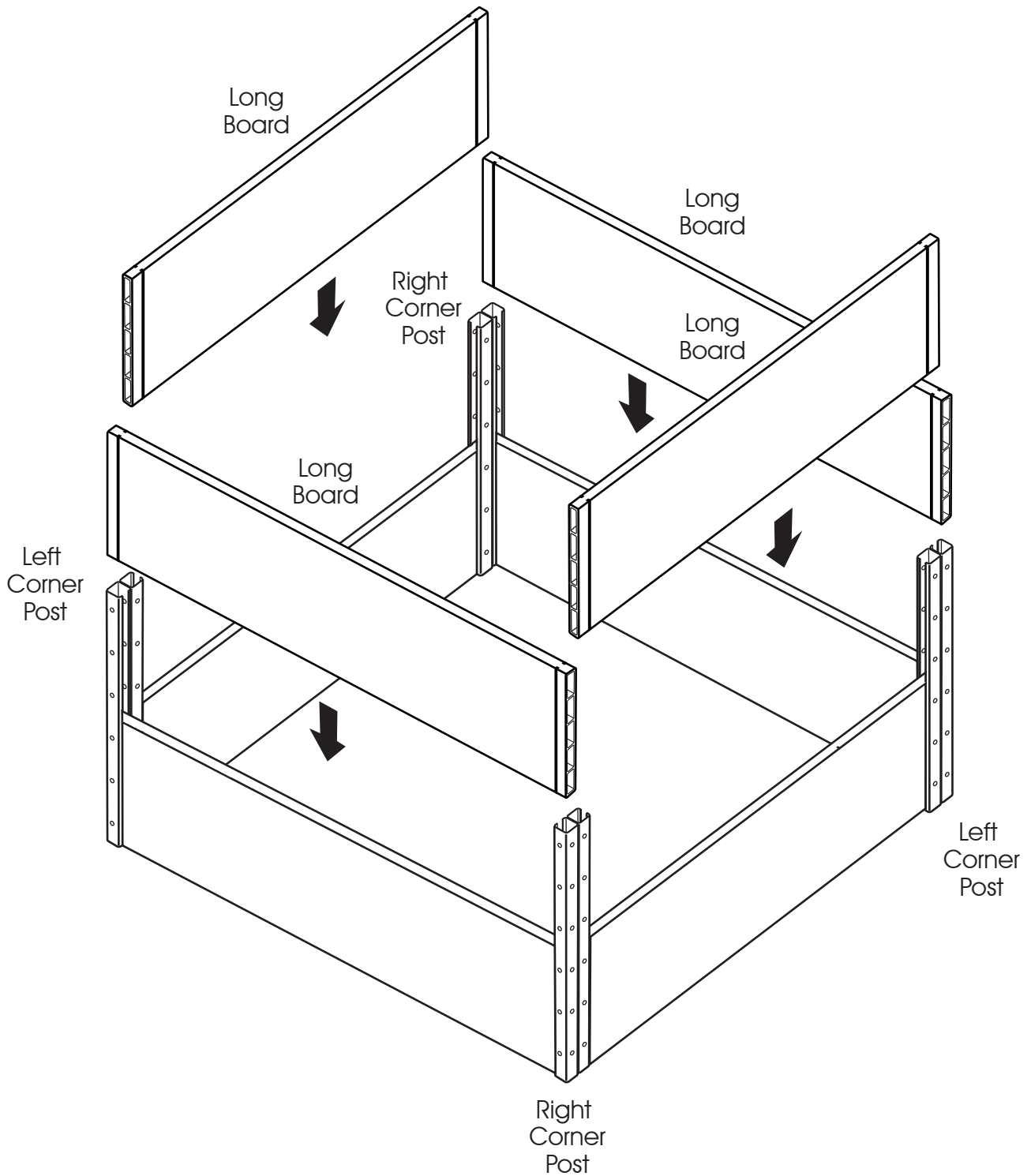


Image 4

ASSEMBLY

2H / 3' x 3' Single Raised Garden Bed

If necessary, use your rubber mallet to ensure the boards are tightly in place. Cover the brackets with the 8 end caps, as shown in Image 5.

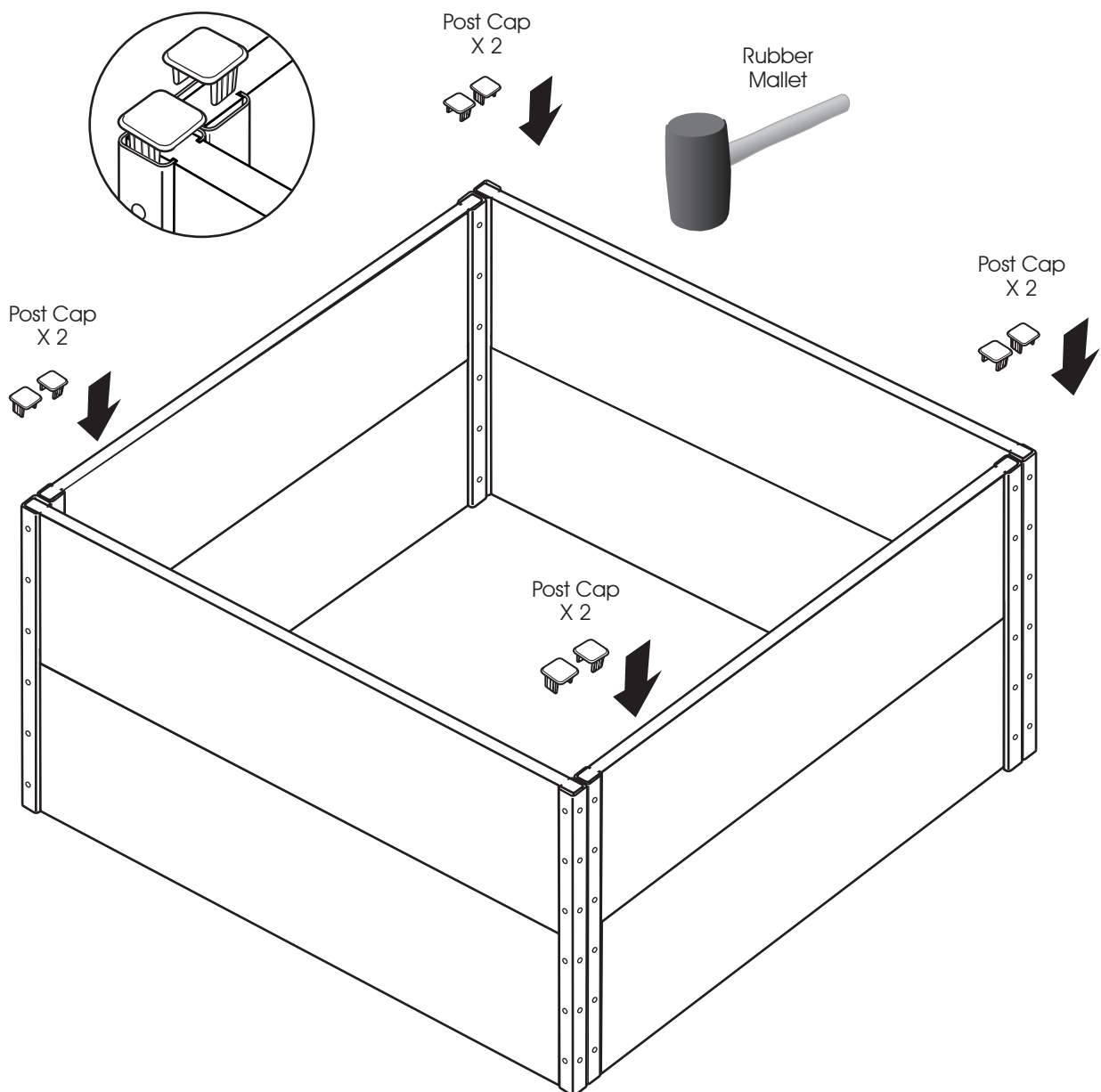


Image 5

ASSEMBLY

2H / 3' x 3' Single Raised Garden Bed

Unfold the liner and cover the bottom of the garden bed, as shown in Image 6 and Image 7.

Note: The liner is water-proof. You can use a needle to puncture the liner if you want water to fall through the bottom boards.

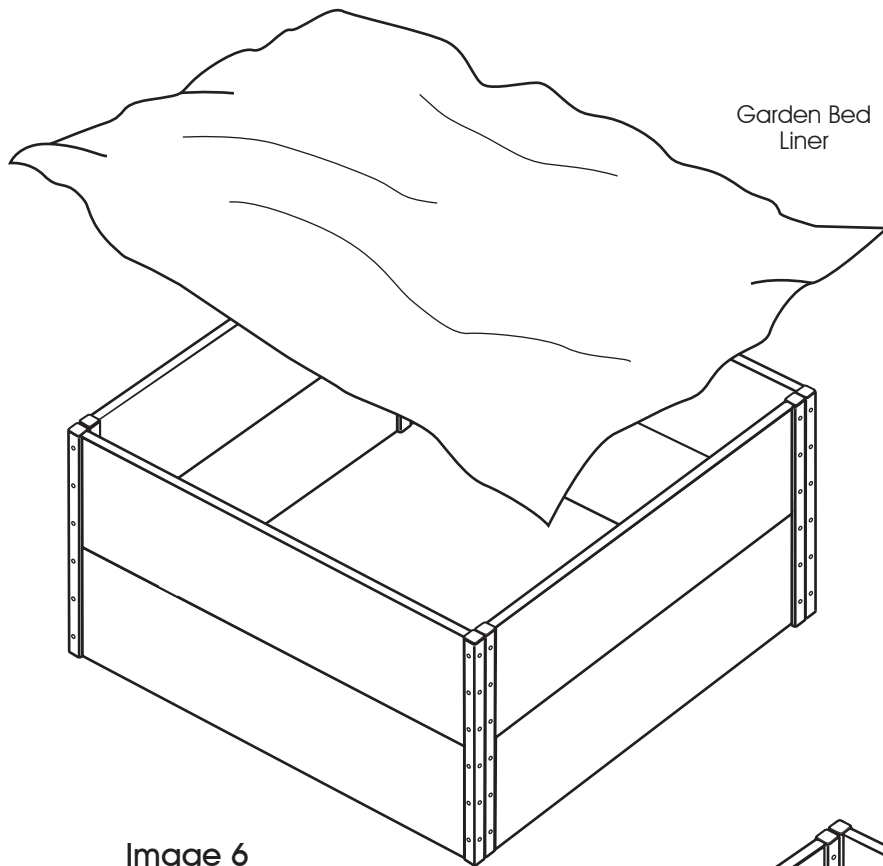


Image 6

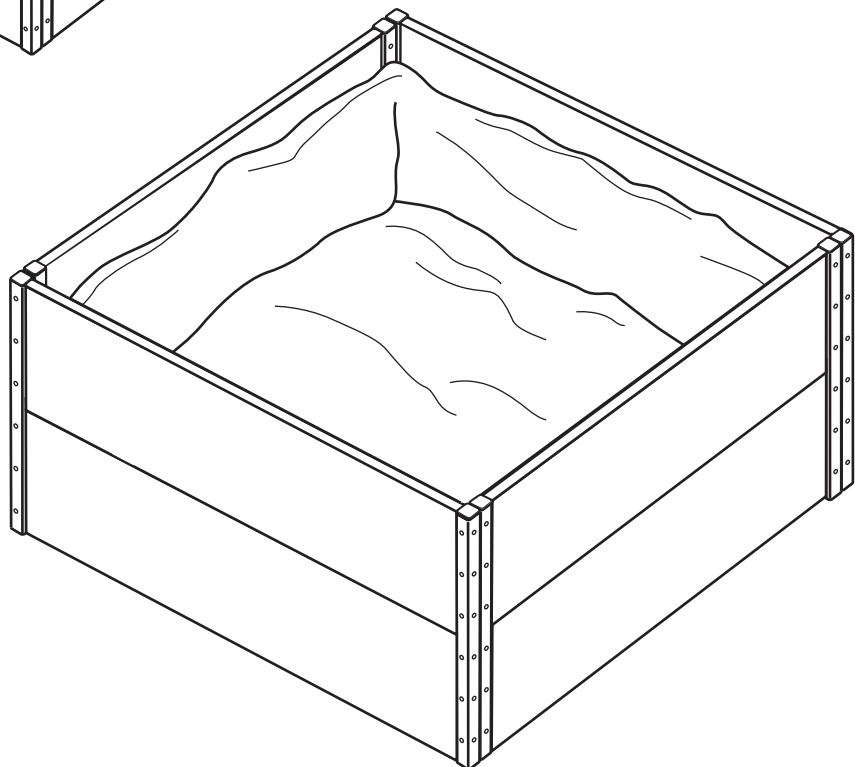


Image 7

Everbloom®

Questions or Comments?
Email us at service@everbloom-garden.com
Welcome to our website:
www.everbloom-garden.com



Distributed by:
Dynaforge Trading LLC
St. Paul, MN55101
Email: service@everbloom-garden.com