

The logo for Everbloom, featuring the brand name in a white, cursive script font with a registered trademark symbol (®) to the upper right, set against a dark grey rectangular background.

# Elevated Garden Bed, wheeled

## 45" L x 18" W x 33" H

---

### Installation Guide

#### BEFORE YOU START

Please Read the instructions carefully to familiarize yourself with every detail and step involved. Keep this manual for future reference. Find a suitable space to assemble the Everbloom Garden Bed.

You need at least 46" x 19" (117 x 49cm) for the finished product. A flat and firm area (like a garage floor or flat yard space) is perfect! The only tool you may need is a rubber mallet.

#### IMPORTANT NOTES

Small parts are included; we advise you to keep them away from children and pets.

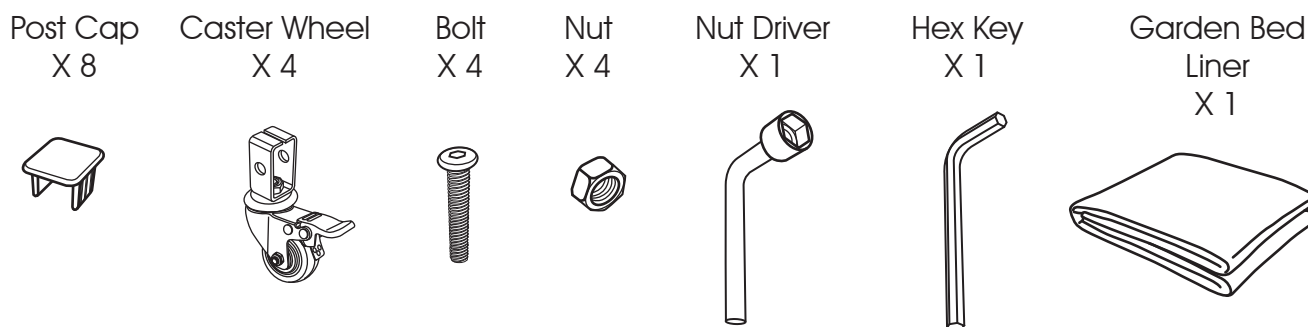
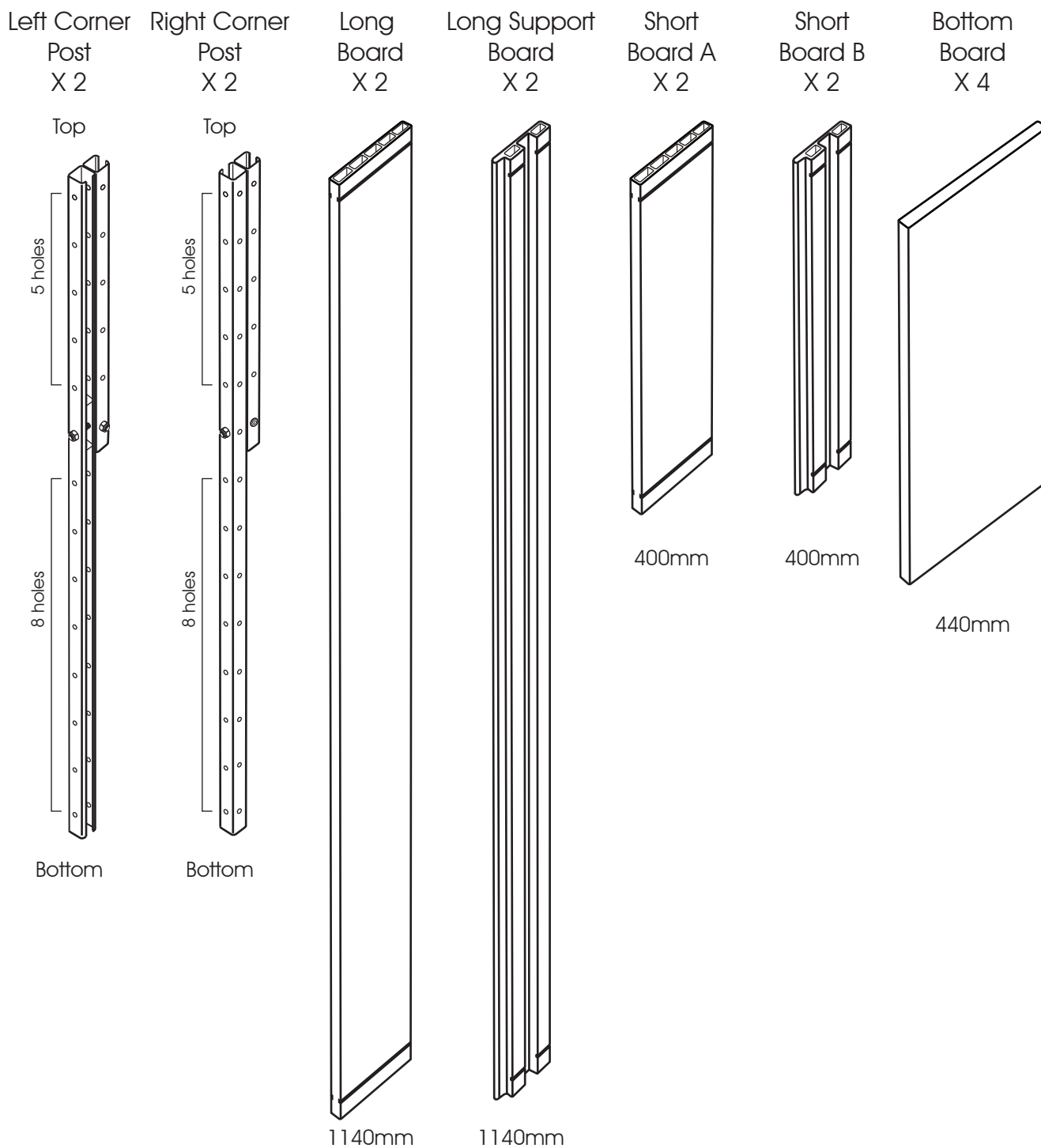
We also suggest having another person help you assemble.

Load capacity: approximately 4 cu. ft. of soil



# PARTS LIST

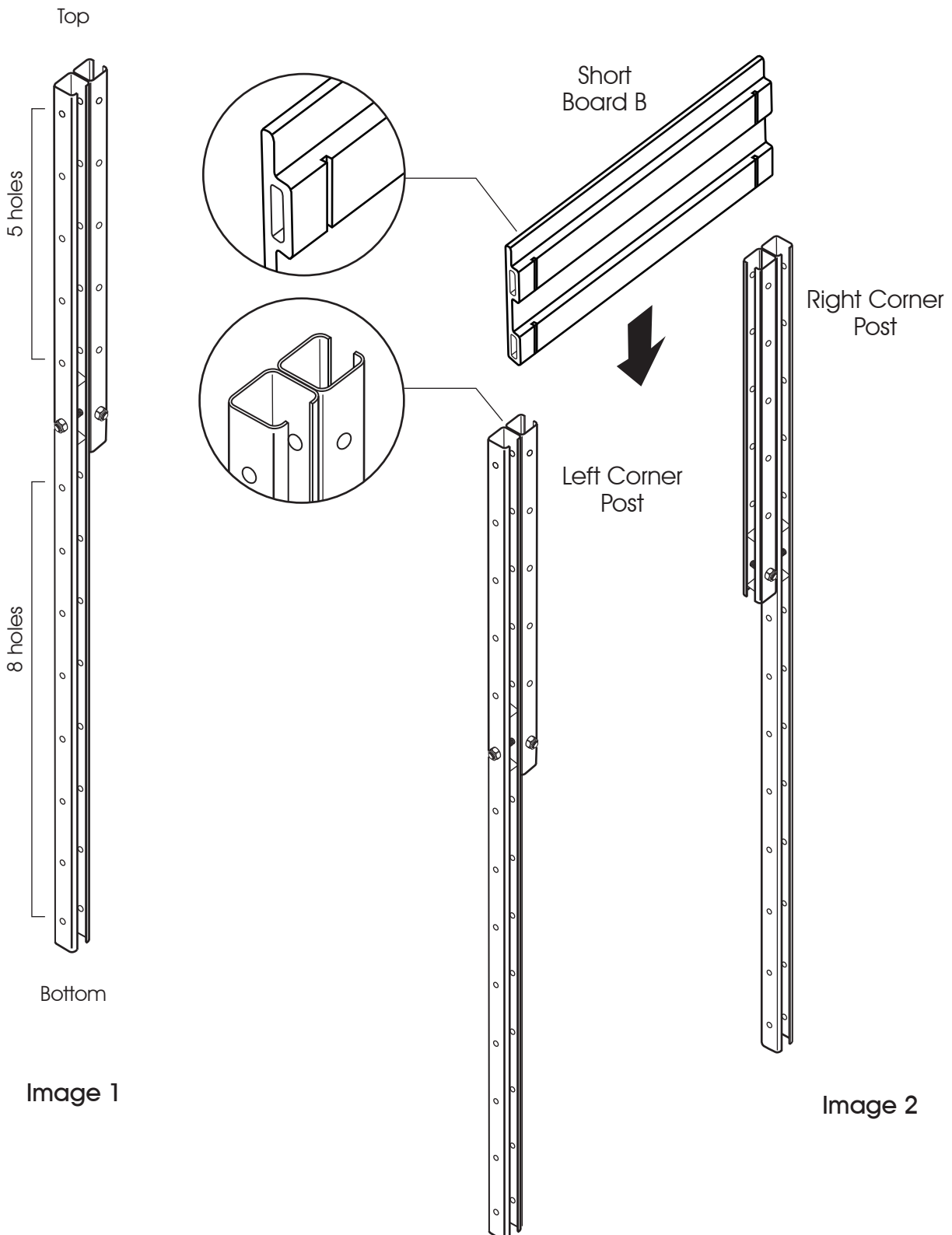
Elevated Garden Bed, wheeled 45" L x 18" W x 33" H



# ASSEMBLY

## Elevated Garden Bed, wheeled 45" L x 18" W x 33" H

Start by making sure each corner post is oriented correctly. Refer to image 1 and ensure that the 8 holes are on the bottom half of the standing corner posts. Slide one short board B into the corner brackets from above. Note: The short boards need to be placed in the inward "U" shape of the brackets. (Image 2).



# ASSEMBLY

Elevated Garden Bed, wheeled 45" L x 18" W x 33" H

Slide the long support boards into the corner posts, as shown in Image 3.

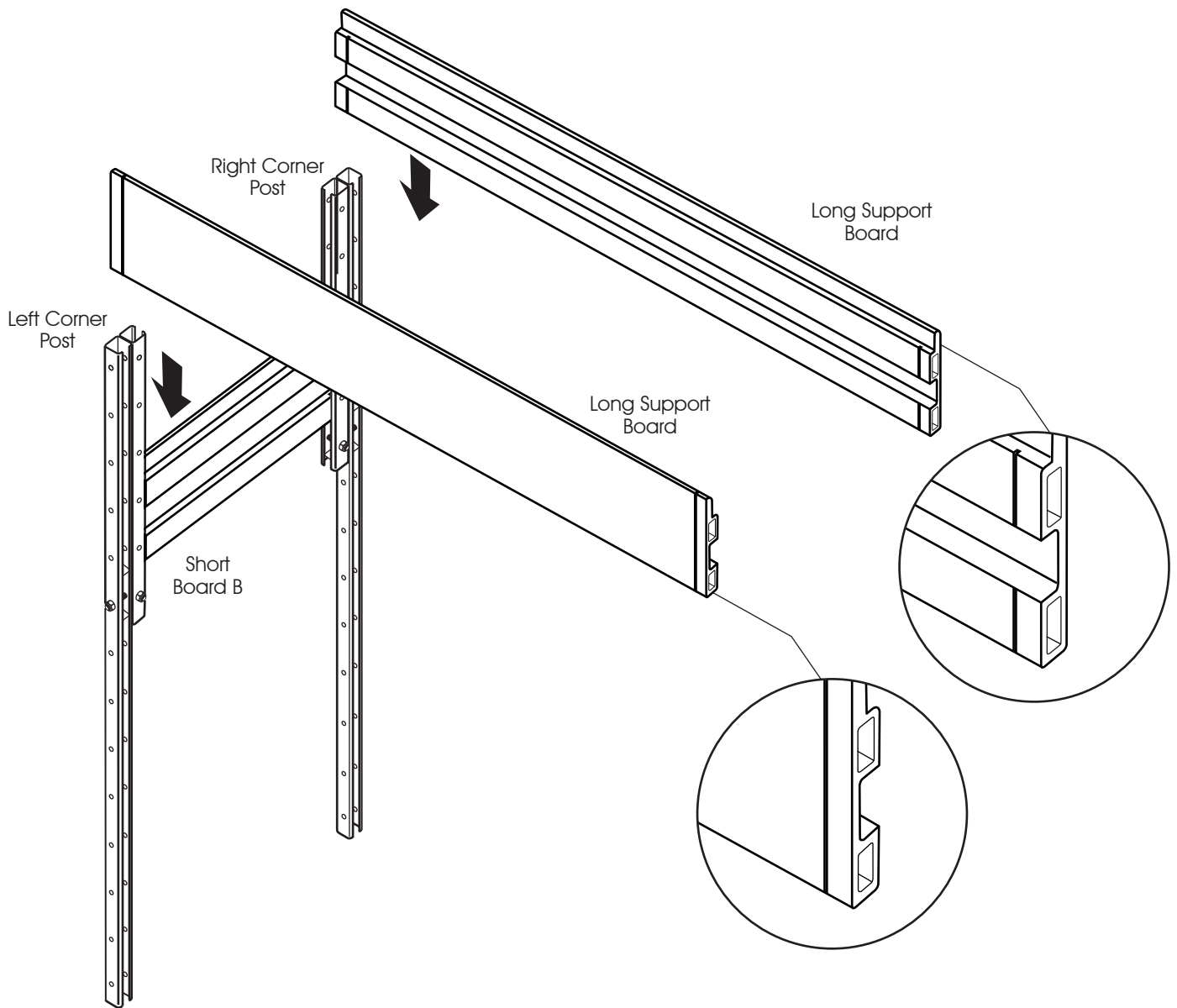


Image 3

# ASSEMBLY

## Elevated Garden Bed, wheeled 45" L x 18" W x 33" H

Carefully flip over the garden bed so that it lays flat with the long support boards pointing towards the sky. Slide the bottom boards through the slots of the long support boards. All 4 boards can be slid in now. (image 4)

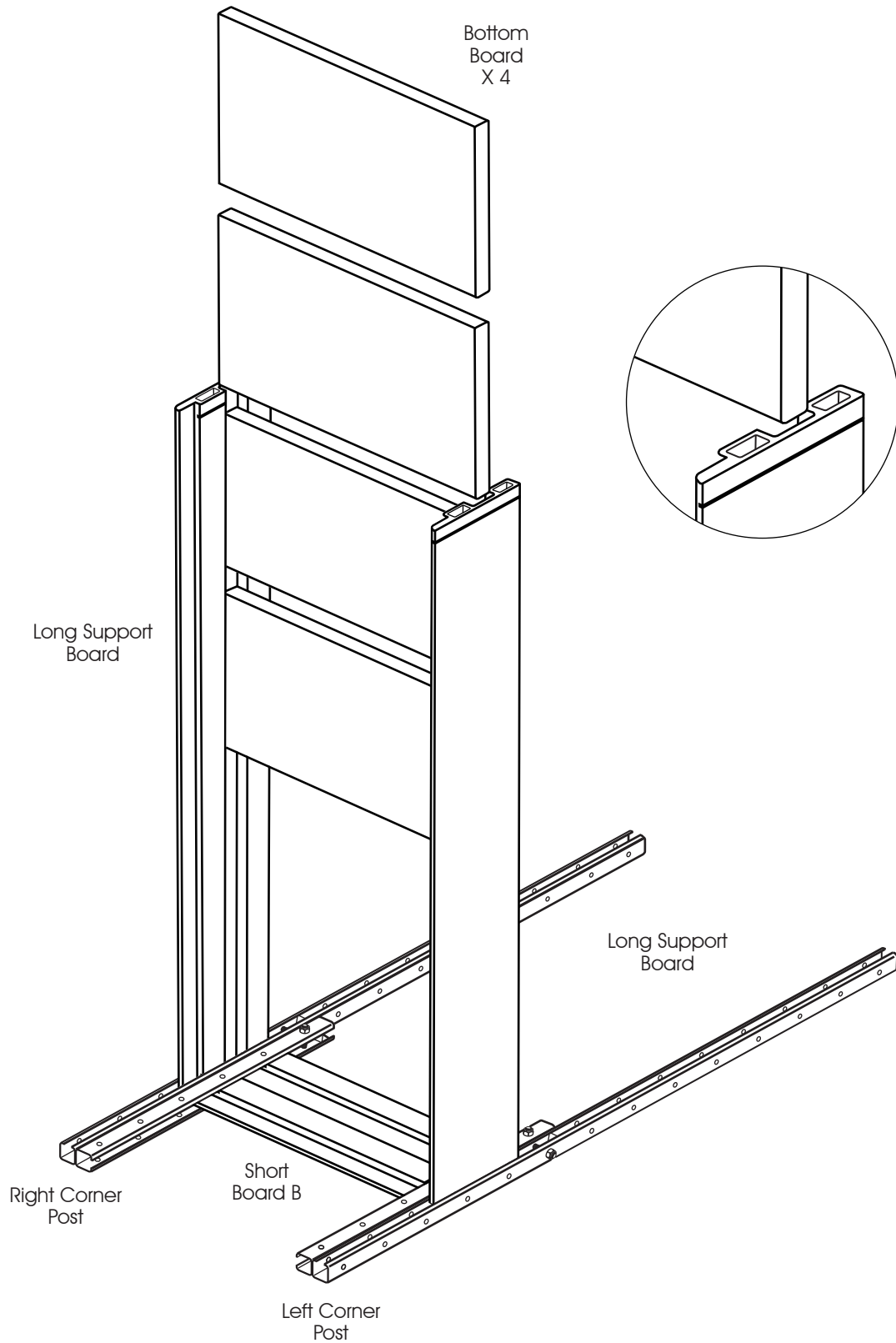


Image 4

# ASSEMBLY

## Elevated Garden Bed, wheeled 45" L x 18" W x 33" H

Slide the remaining corner posts into place as shown in Image 5. Ensure that the direction of the each post is symmetric for the remaining short board.

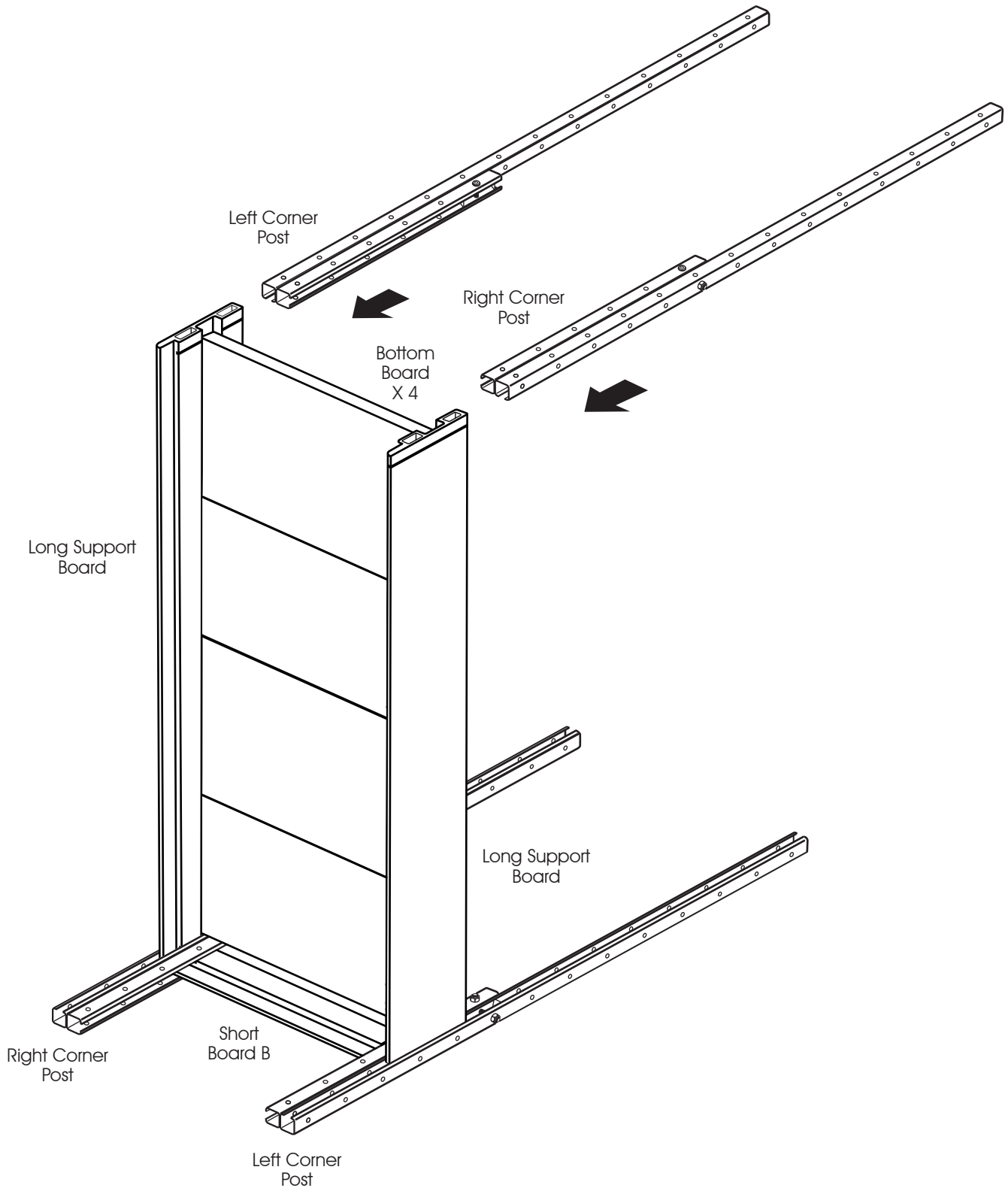


Image 5

# ASSEMBLY

Elevated Garden Bed, wheeled 45" L x 18" W x 33" H

Slide one short board B into the corner brackets, as shown in Image 6.

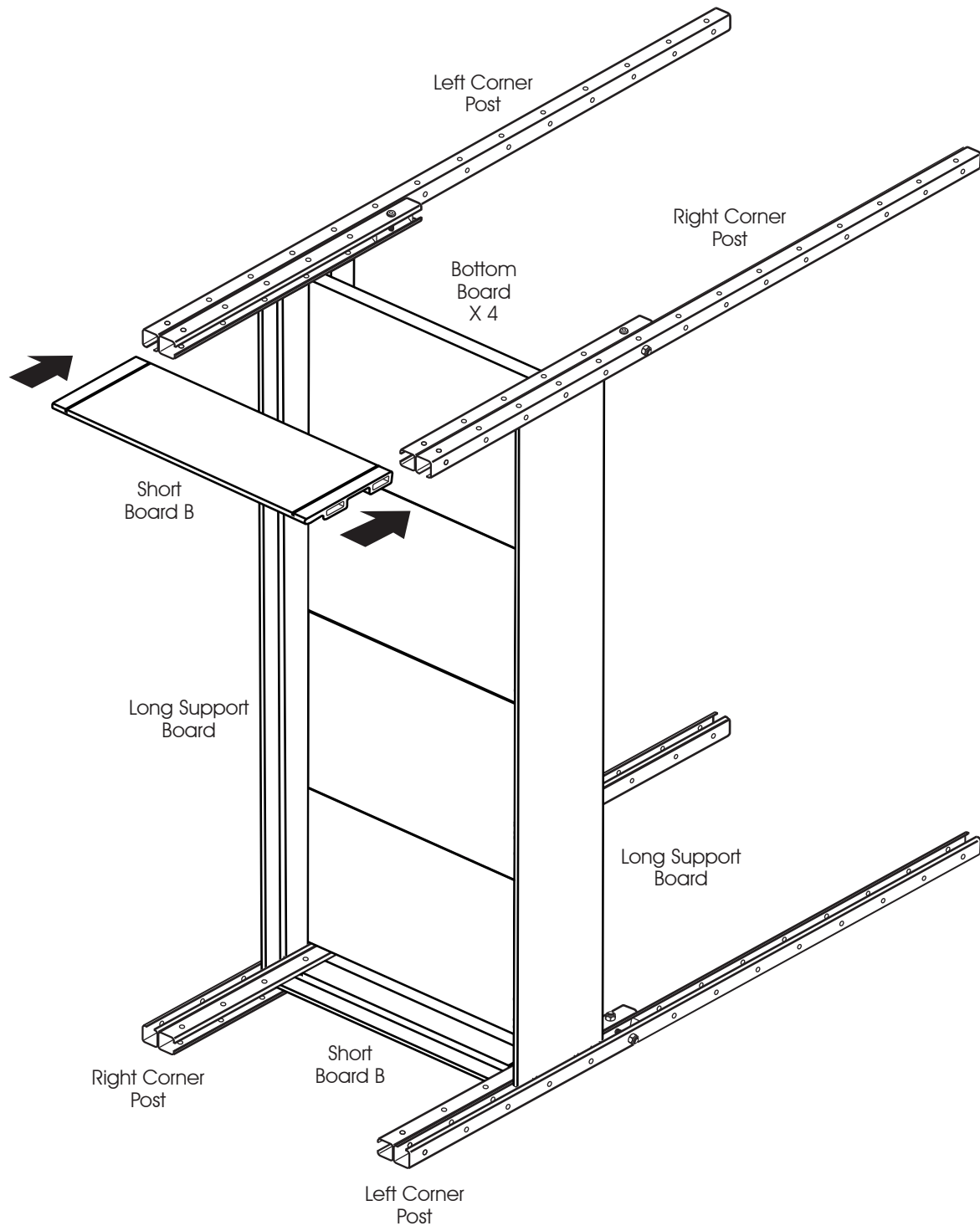


Image 6

# ASSEMBLY

Elevated Garden Bed, wheeled 45" L x 18" W x 33" H

Flip over the bed so it stands upright. Slide the remaining boards into place, as shown in image 7.

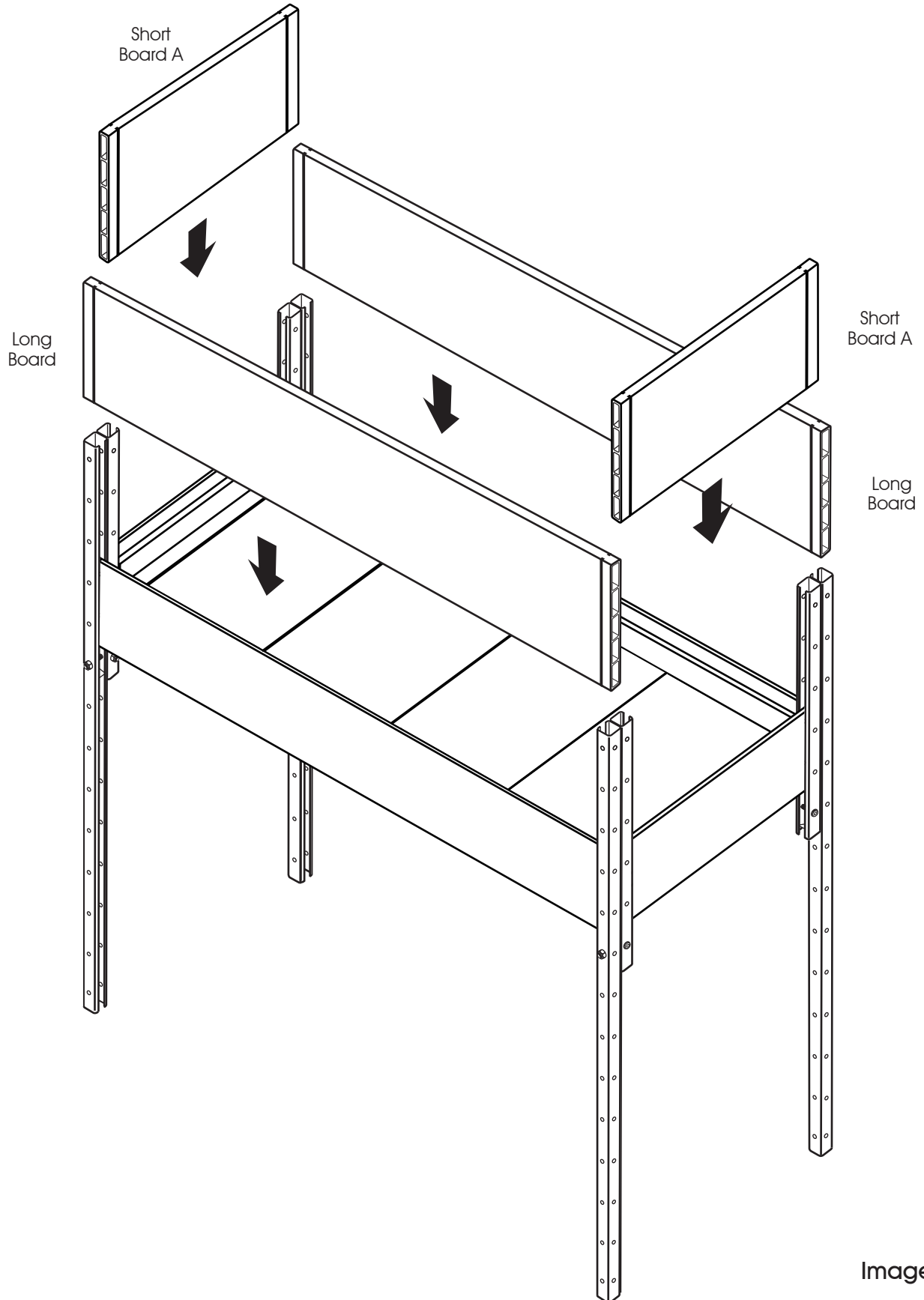


Image 7



# ASSEMBLY

Elevated Garden Bed, wheeled 45" L x 18" W x 33" H

Use the rubber mallet to ensure the boards are tightly in place. Cover the brackets with the 8 end caps, as shown in Image 8.

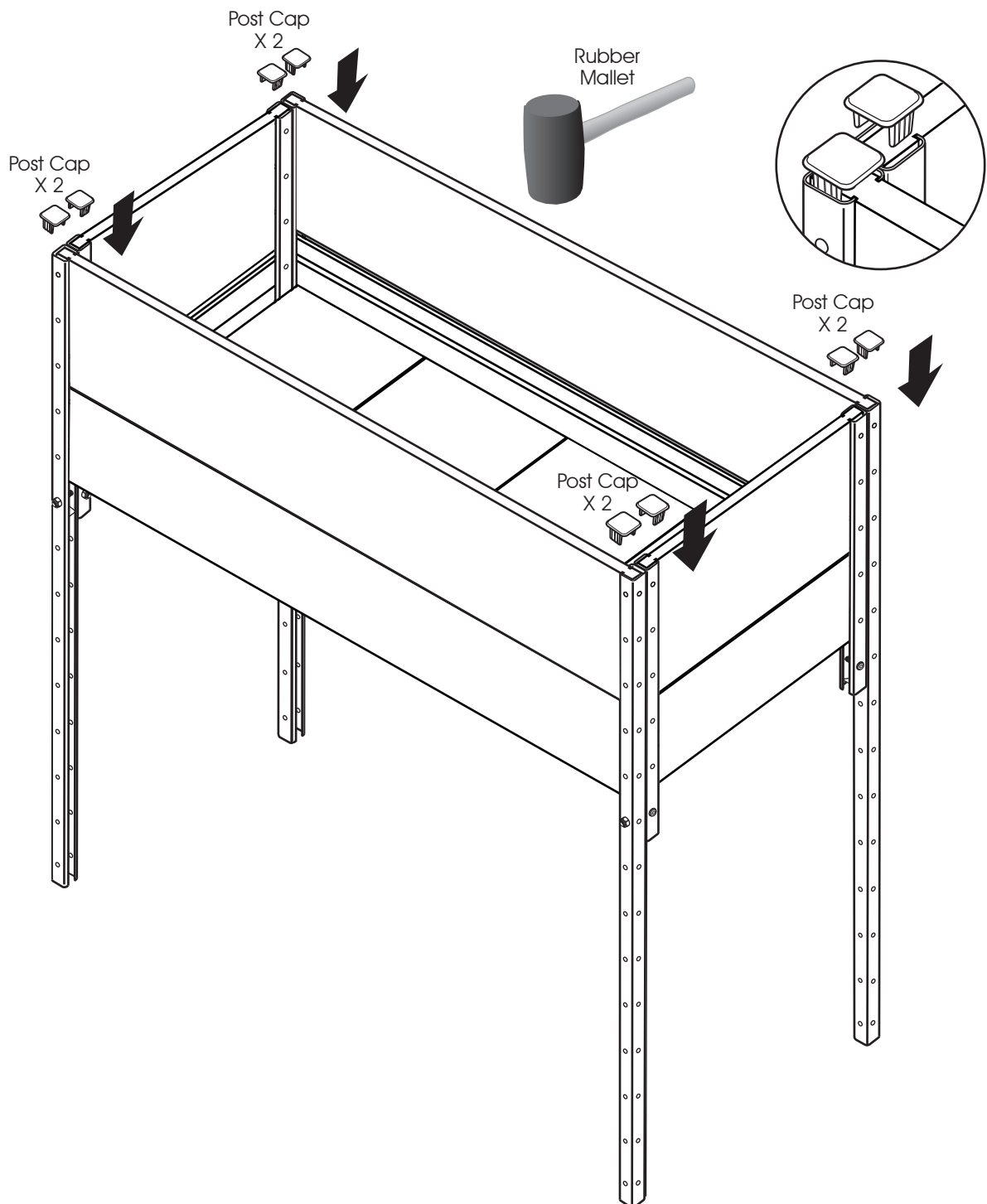
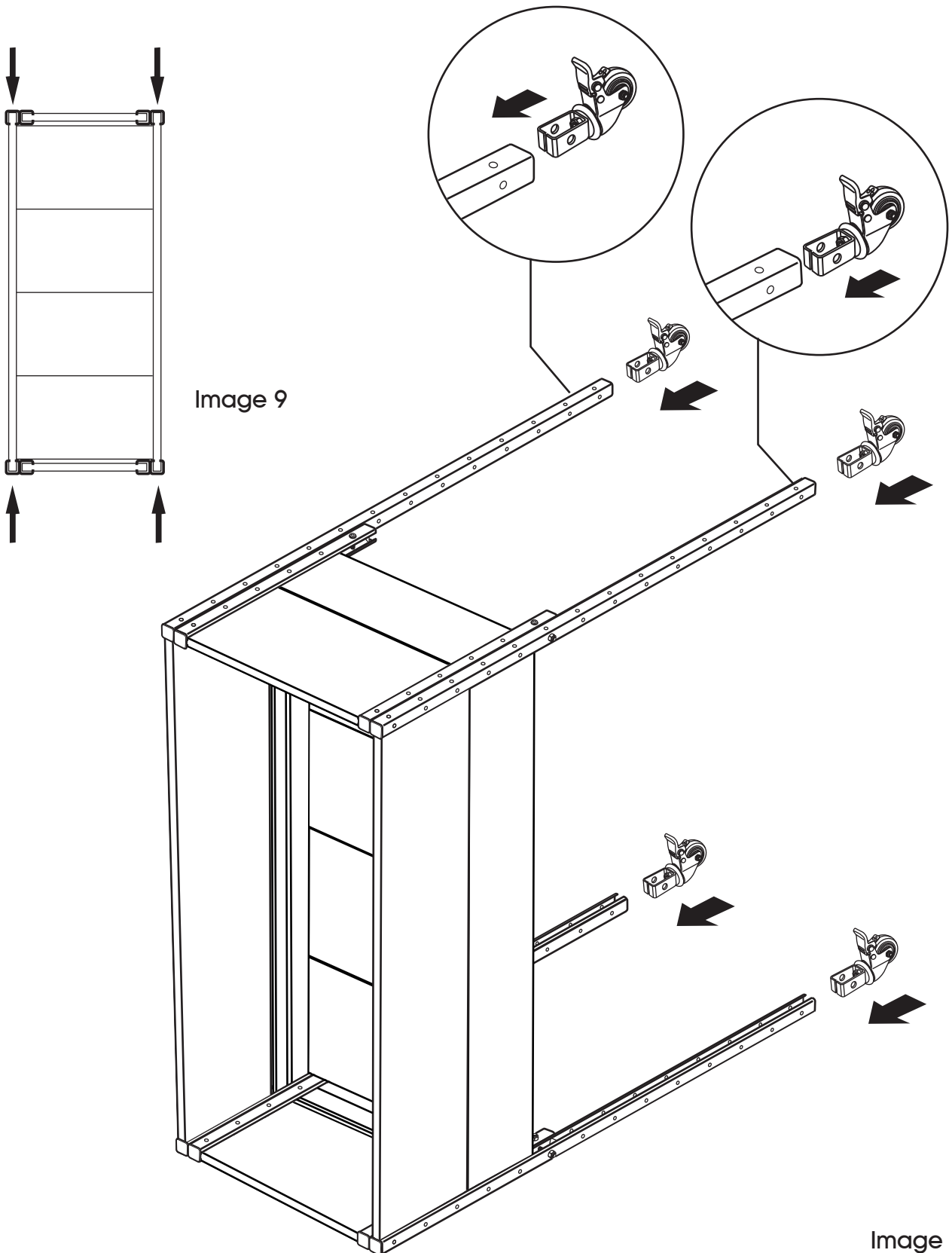


Image 8

# ASSEMBLY

Elevated Garden Bed, wheeled 45" L x 18" W x 33" H

Carefully flip over the garden bed again so that it lays flat with the long support boards pointing towards the sky. Insert caster wheels into corner brackets, as shown in Image 9 and Image 10.



# ASSEMBLY

Elevated Garden Bed, wheeled 45" L x 18" W x 33" H

Fix the wheels with bolts and nuts, as shown in Image 11.

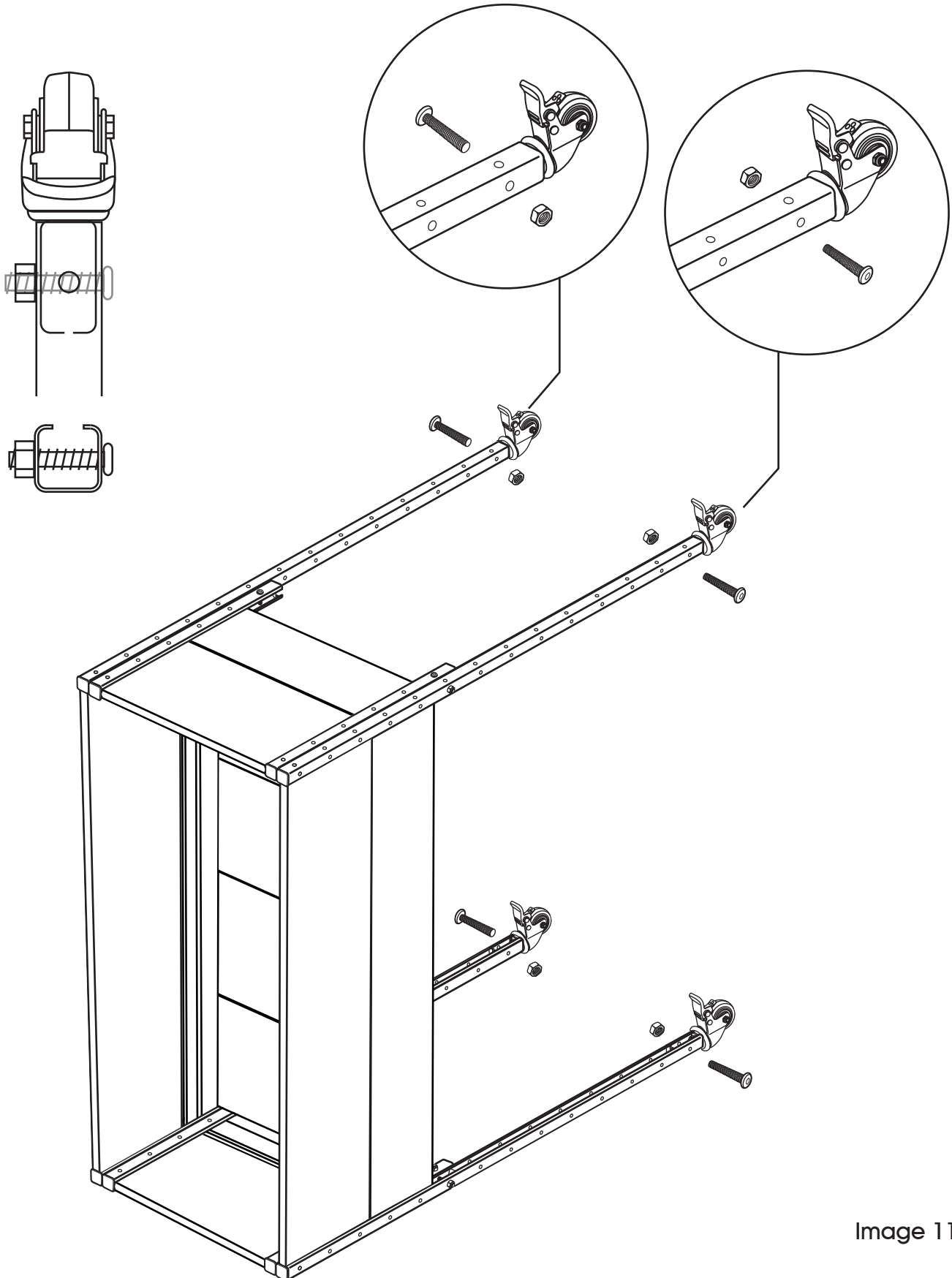
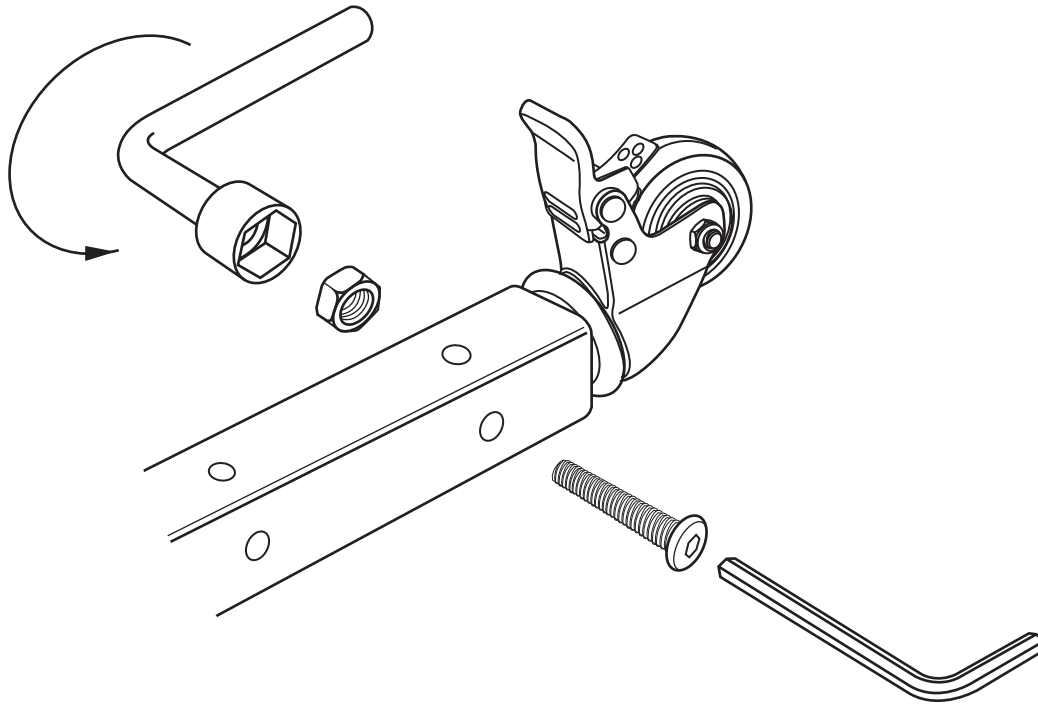


Image 11

# ASSEMBLY

Elevated Garden Bed, wheeled 45" L x 18" W x 33" H

Fasten bolts and nuts with nut driver and hex key which are included in pack , as shown in Image 12.



# ASSEMBLY

Elevated Garden Bed, wheeled 45" L x 18" W x 33" H

Flip over the bed again so it stands upright, as shown in Image 13.

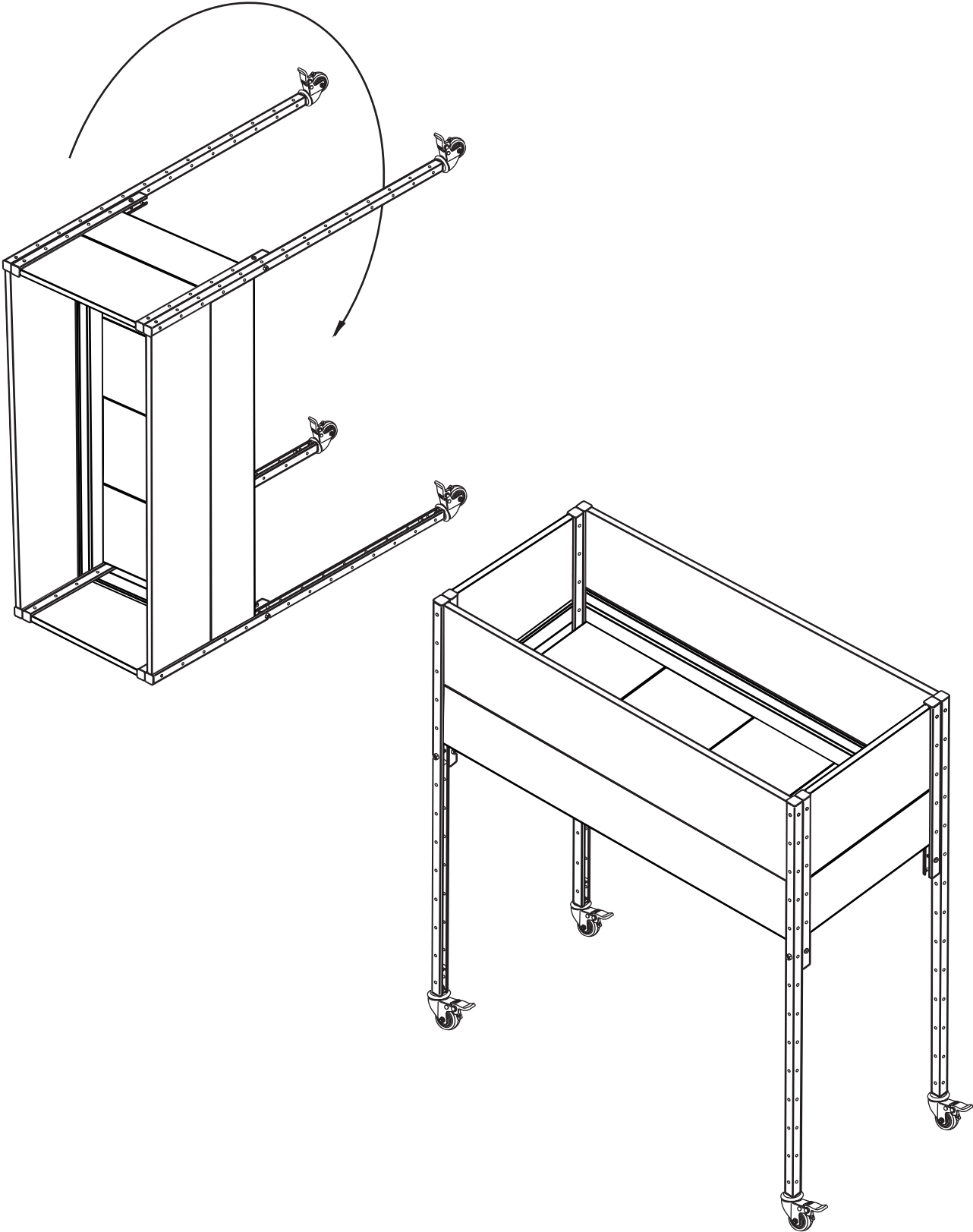


Image 13

# ASSEMBLY

Elevated Garden Bed, wheeled 45" L x 18" W x 33" H

Unfold the liner and cover the bottom of the garden bed, as shown in Image 14 and Image 15.

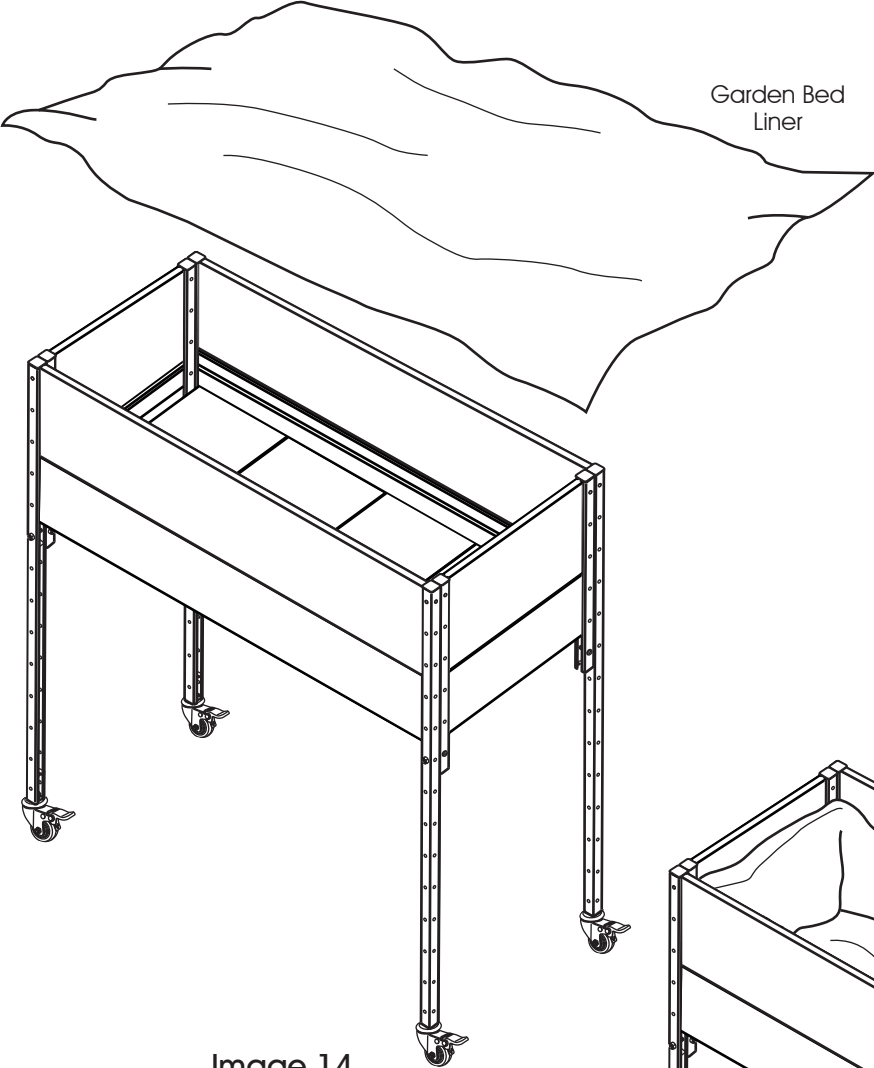


Image 14

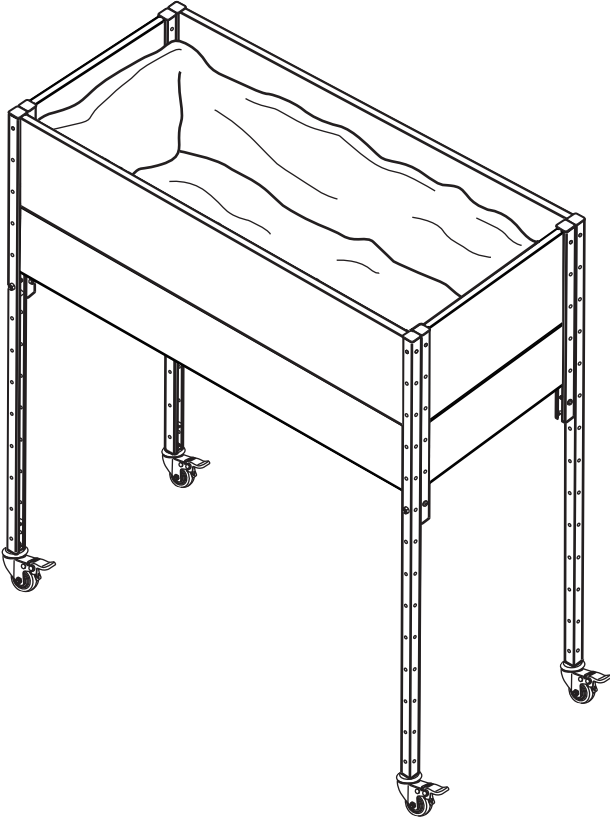


Image 15

## Elevated Garden Bed, wheeled 45" L x 18" W x 33" H

Sometimes there might be mis-alignment of corner brackets as showed in Image 15 and Image 16, which may result in difficulty of sliding boards into the brackets. Please adjust them to the right position.

### ASSEMBLING PROBLEM 1

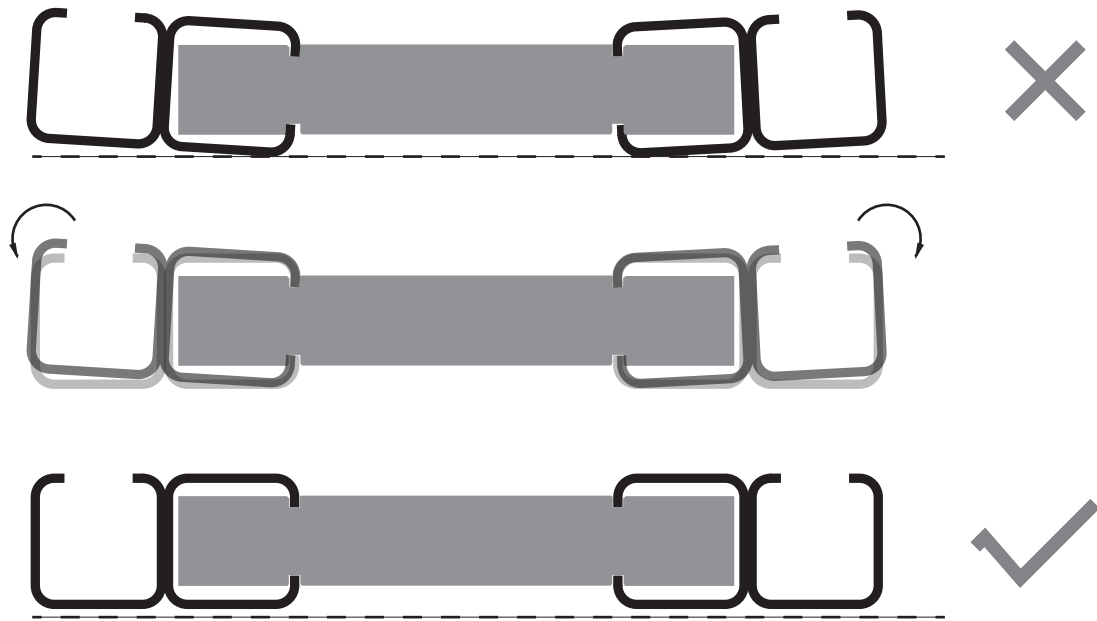


Image 15

### ASSEMBLING PROBLEM 2

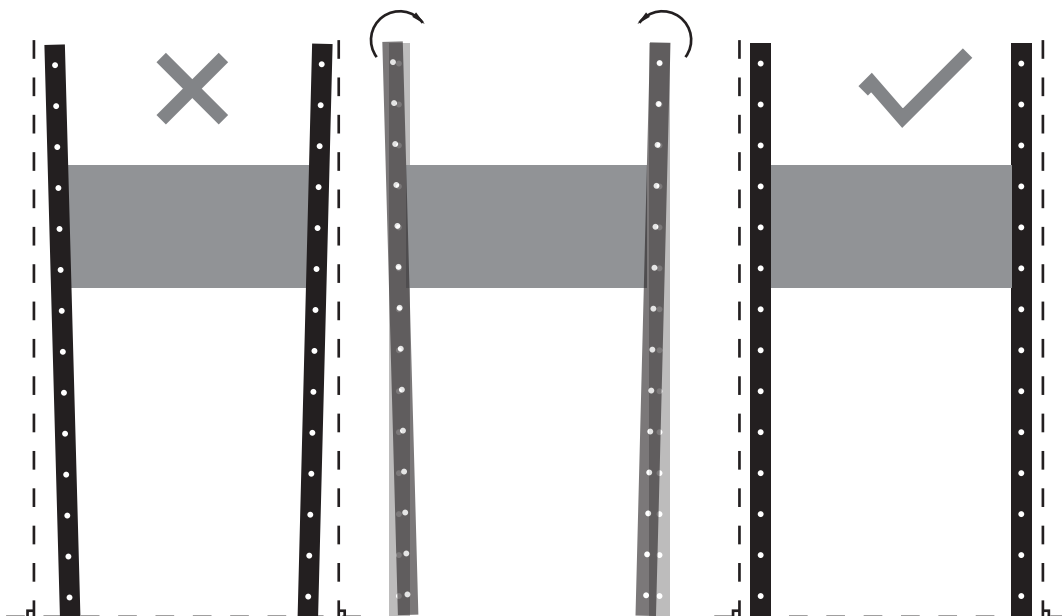


Image 16

# Everbloom®

Questions or Comments?  
Email us at [service@everbloom-garden.com](mailto:service@everbloom-garden.com)  
Welcome to our website:  
[www.everbloom-garden.com](http://www.everbloom-garden.com)



PLEASE  
RECYCLE

Distributed by:  
Dynaforge Trading LLC  
St. Paul, MN55101  
Email: [service@everbloom-garden.com](mailto:service@everbloom-garden.com)