

# ▲ ASSEMBLY TIP

Elevated Garden Bed, wheeled 45" L x 18" W x 33" H

For additional stability when mobile, we highly suggest using the included 4 self-tapping screws (Image 17). Fasten 1 screw into each side of the inward facing corner posts using a #2 Phillips screwdriver (not included), as shown in Image 18.

If soil has been put inside the bed already, screws can be fastened from outside, as shown in Image 19.

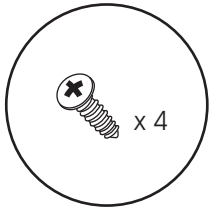


Image 17

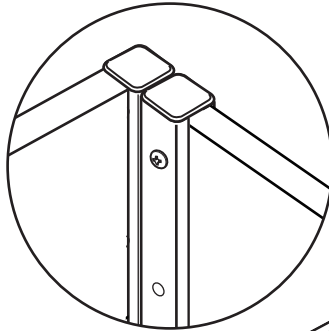


Image 18

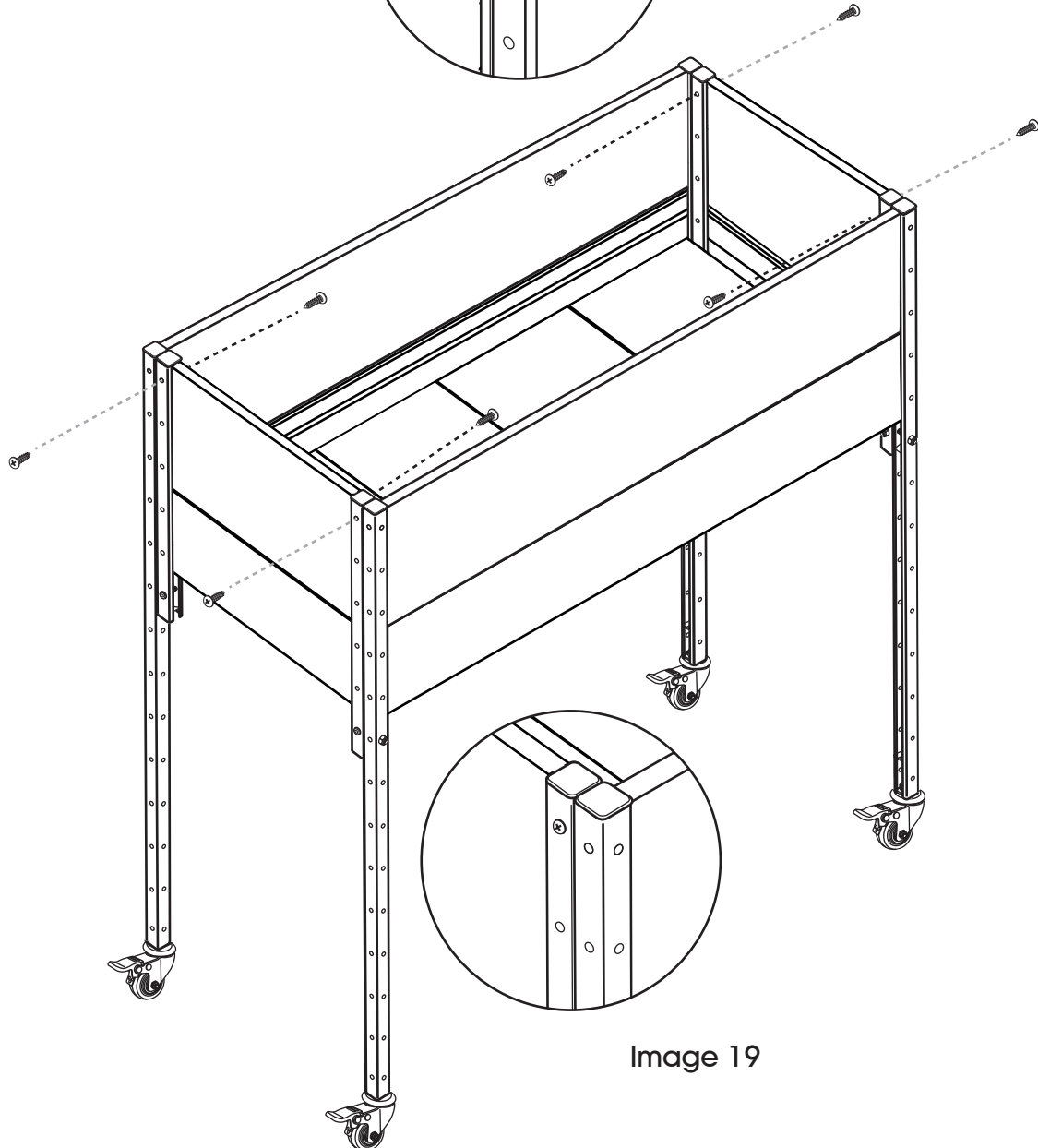


Image 19