



Urban Mobile Garden

Installation Guide

Thank You!

You're only a few steps away from your perfect vegetable garden or elevated planter. We hope you enjoy!

Model# E334519W / E334519WG
Dimensions 45" L x 19" W x 36" H

Before You Start

Please read the instructions carefully to familiarize yourself with every detail and step involved. Keep this manual for future reference. Find a suitable space to assemble your new Elevated Garden Bed.

You need at least 46" x 20" (117 x 51cm) for the finished product. A flat and firm area (like a garage floor or flat yard space) is perfect! The only tools you may need are a rubber mallet and a #2 Phillips screwdriver.

Important Notes

Small parts are included; we advise you to keep them away from children and pets.

We also suggest having another person help you assemble. Maximum Load capacity: approximately 4 cu. ft. of soil



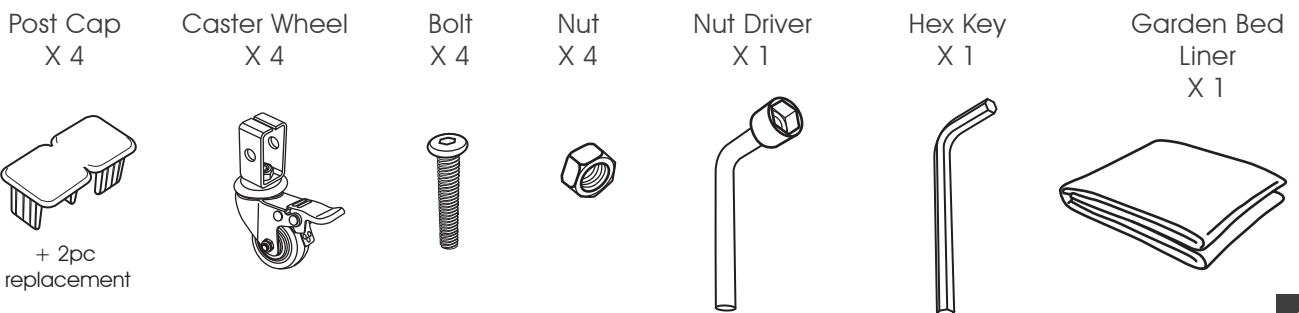
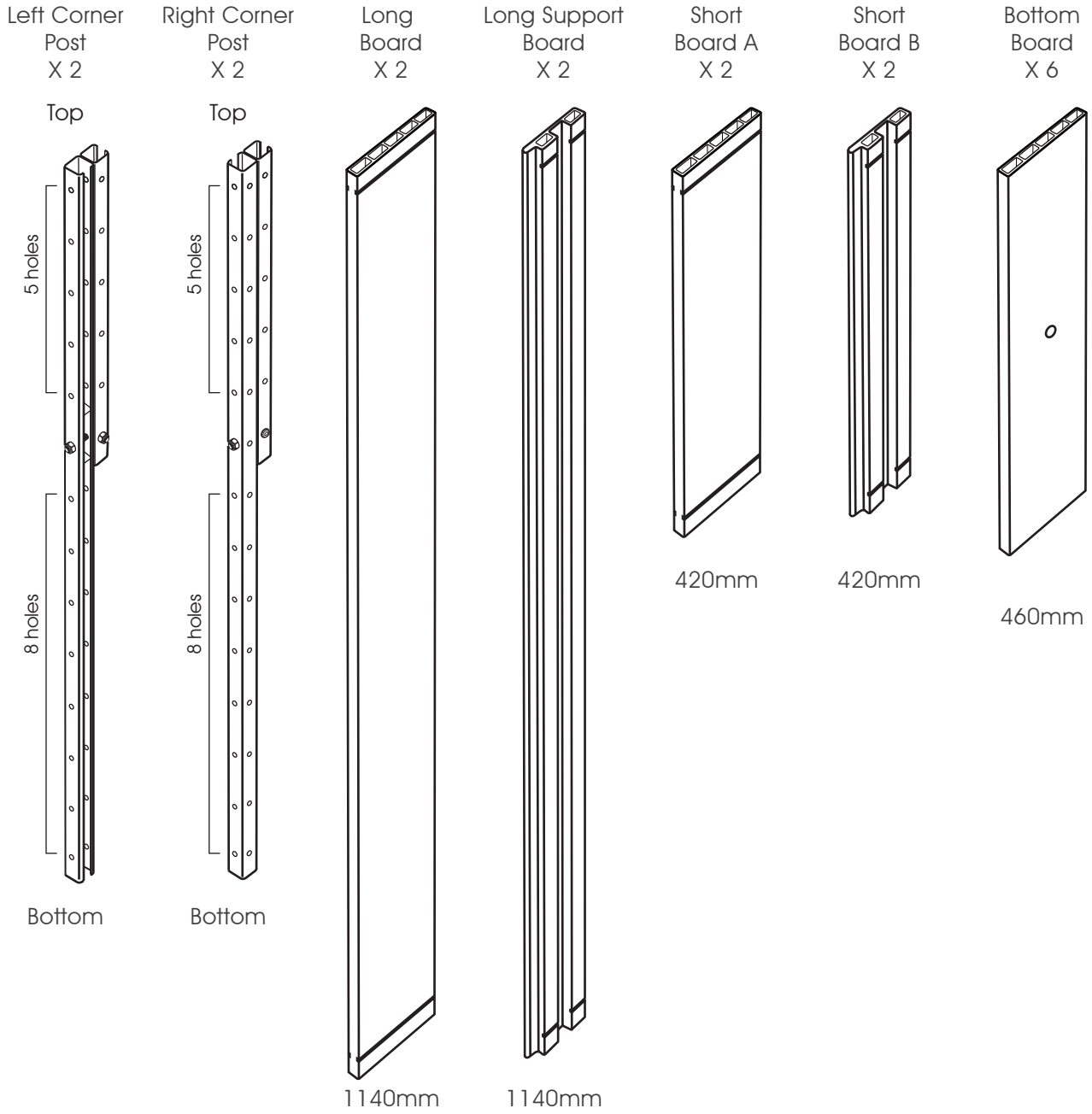
★ **Subscribe at www.everbloom-garden.com for extra savings and upgrading information!**

Everbloom-Garden.com

Questions or Comments?
Email us at service@everbloom-garden.com

Parts List

Urban Mobile Garden - 45" L x 19" W x 36" H



Assembly

Urban Mobile Garden - 45" L x 19" W x 36" H

There are 2 different assembly methods providing 2 different planting depths: 10" (as shown in Image 1) and 7.5" (as shown in Image 2).

* For deeper planting depth of 10", please follow steps from page 4.

* For easier but shallower planting depth of 7.5", please go to page 10.

IMAGE 1

Depth 1 - 10" from page 4

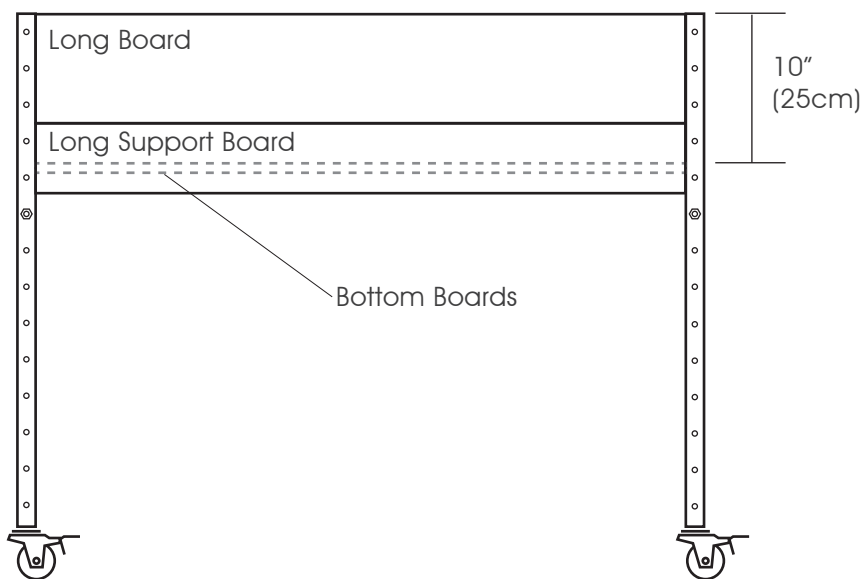
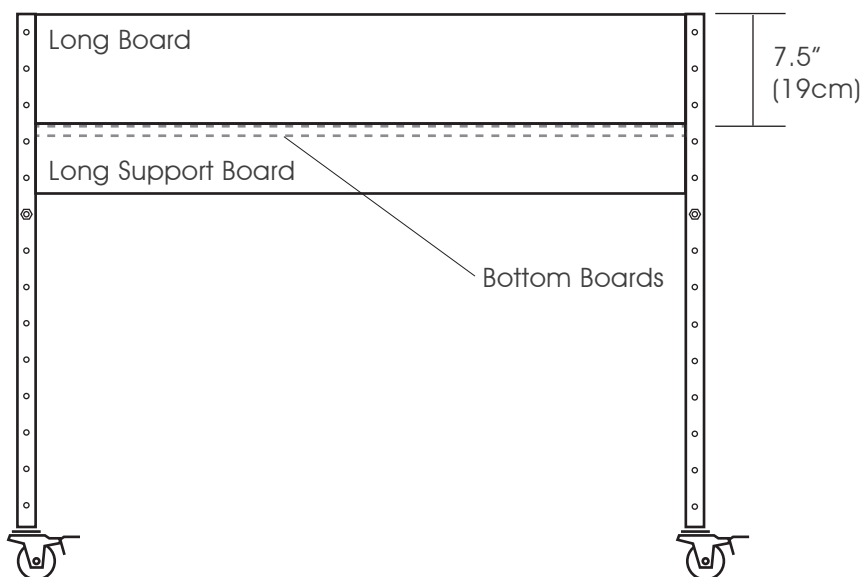


IMAGE 2

Depth 2 - 7.5" from page 10



Assembly

Urban Mobile Garden - 45" L x 19" W x 36" H

Start by making sure each corner post is oriented correctly, as shown in Image 3. Slide one short board B into the corner brackets from above.

Note: The short boards need to be placed in the inward "U" shape of the brackets, as shown in Image 4.

IMAGE 3

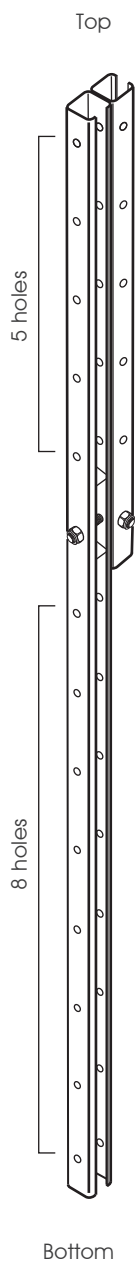
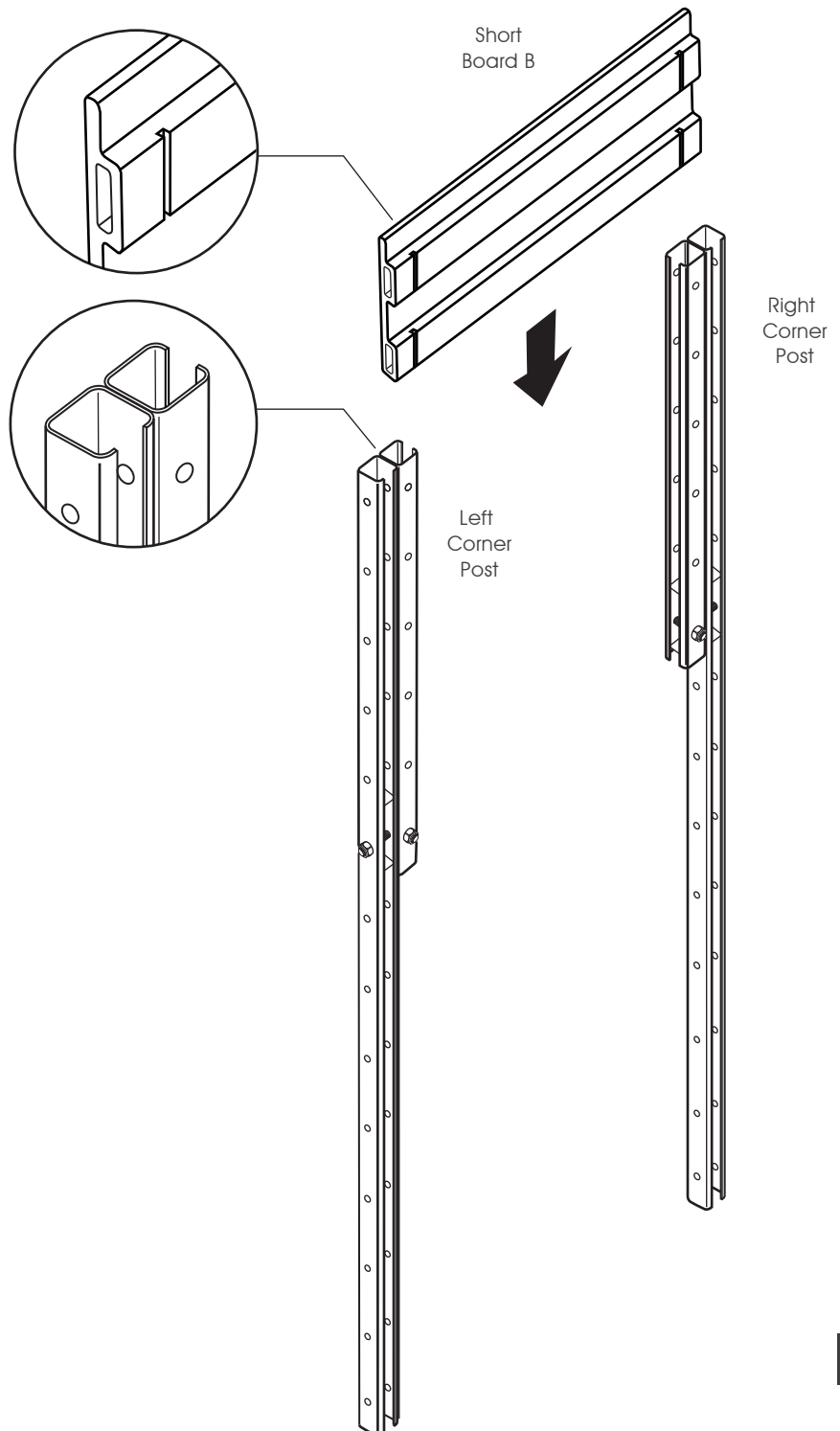


IMAGE 4

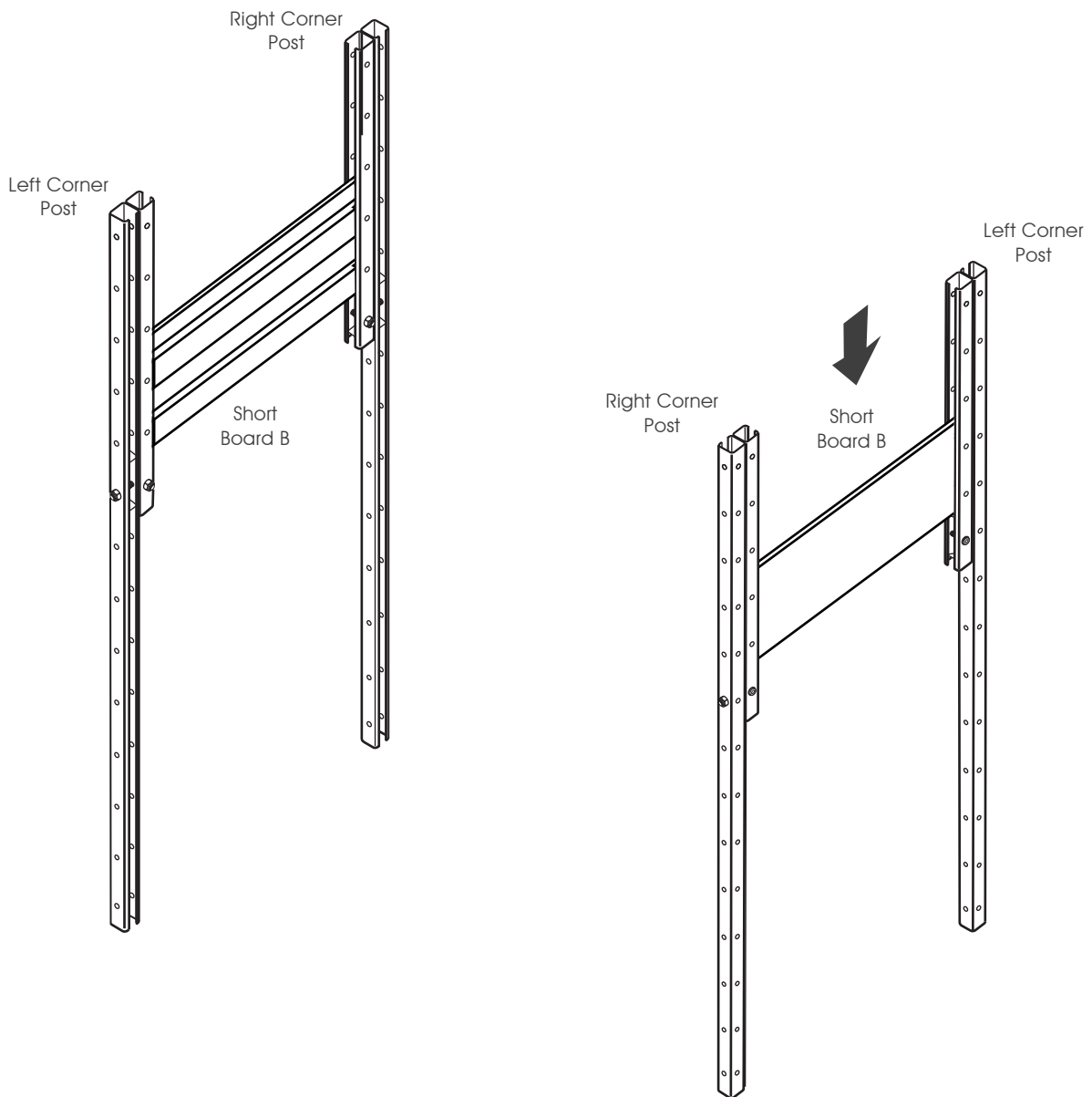


Assembly

Urban Mobile Garden - 45" L x 19" W x 36" H

Slide another short board B into the other two corner brackets from above, as shown in Image 5.

IMAGE 5

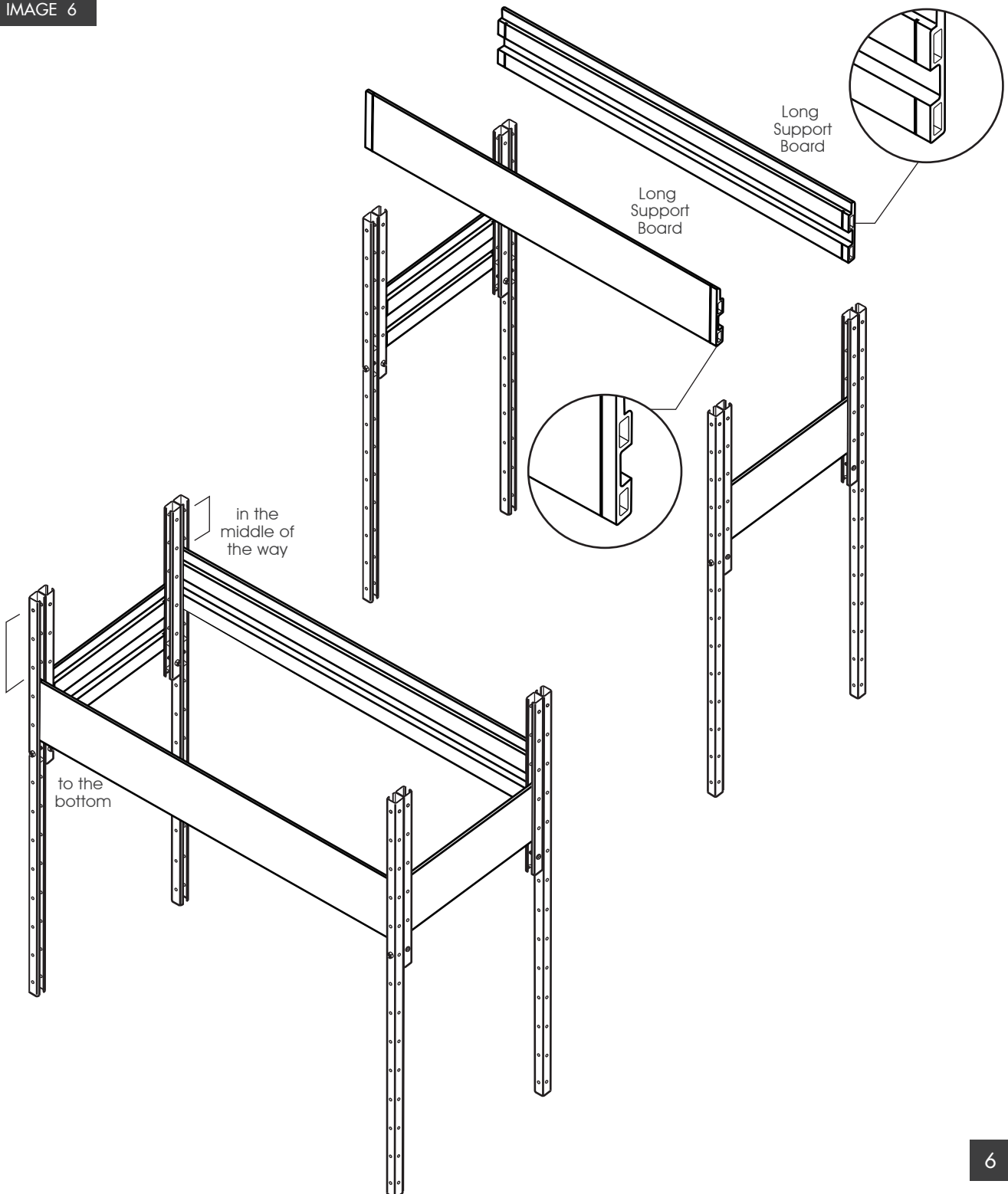


Assembly

Urban Mobile Garden - 45" L x 19" W x 36" H

With the help of another person holding the 2 assembled parts, slide the 2 long supporting boards into the brackets from above. Make sure that one support board goes straight to the bottom, while the other one stays in the middle of the way (don't push to the bottom), with the top edge between the 2nd and 3rd holes of the post.

IMAGE 6

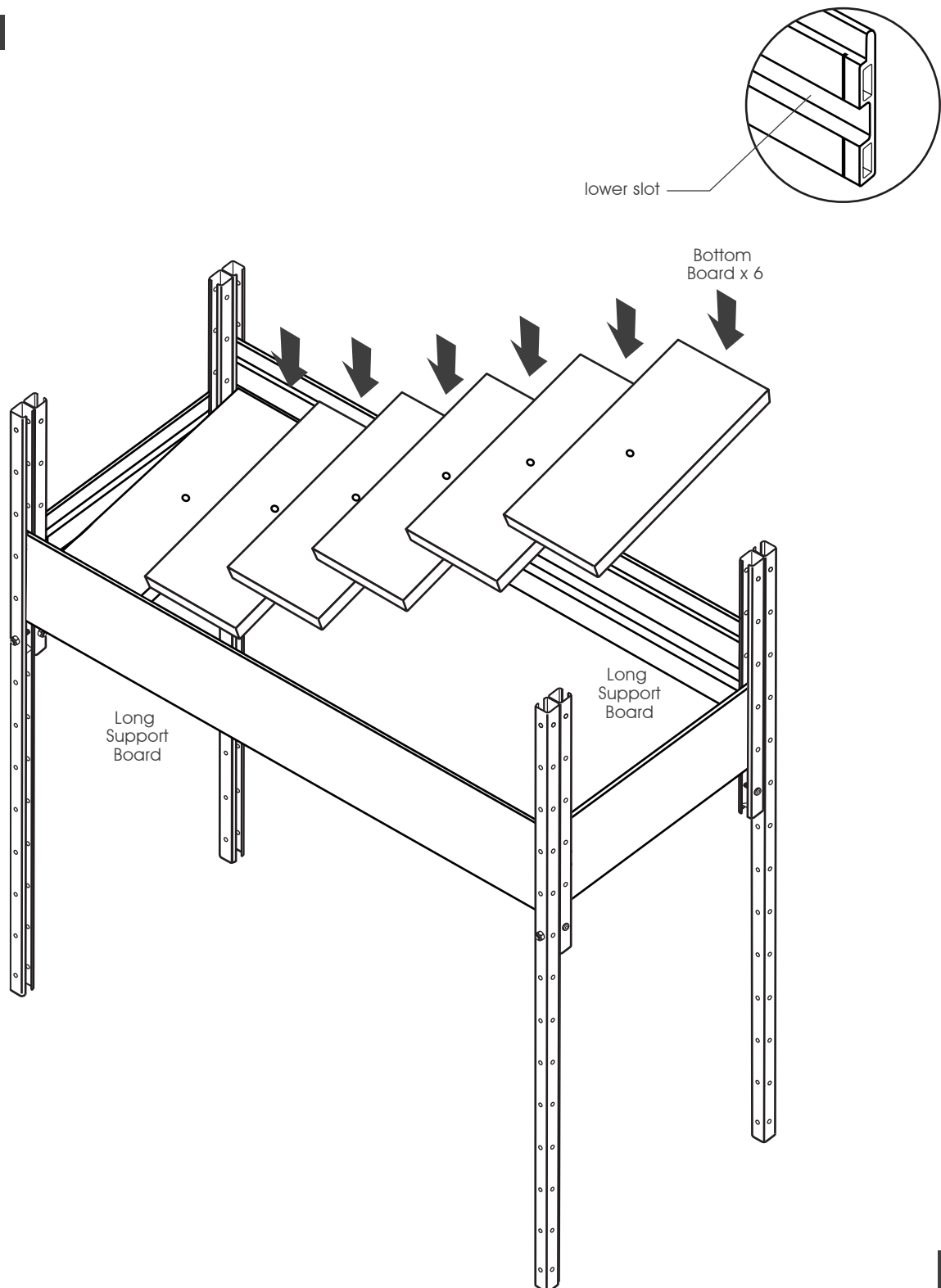


Assembly

Urban Mobile Garden - 45" L x 19" W x 36" H

Put the bottom boards on lower slots of long support boards. Make sure the 2 ends of these bottom boards go into the lower slots and rest in them with enough contact as shown in Image 7. Adjust the height of the higher long support board slightly to hold these bottom boards if necessary.

IMAGE 7

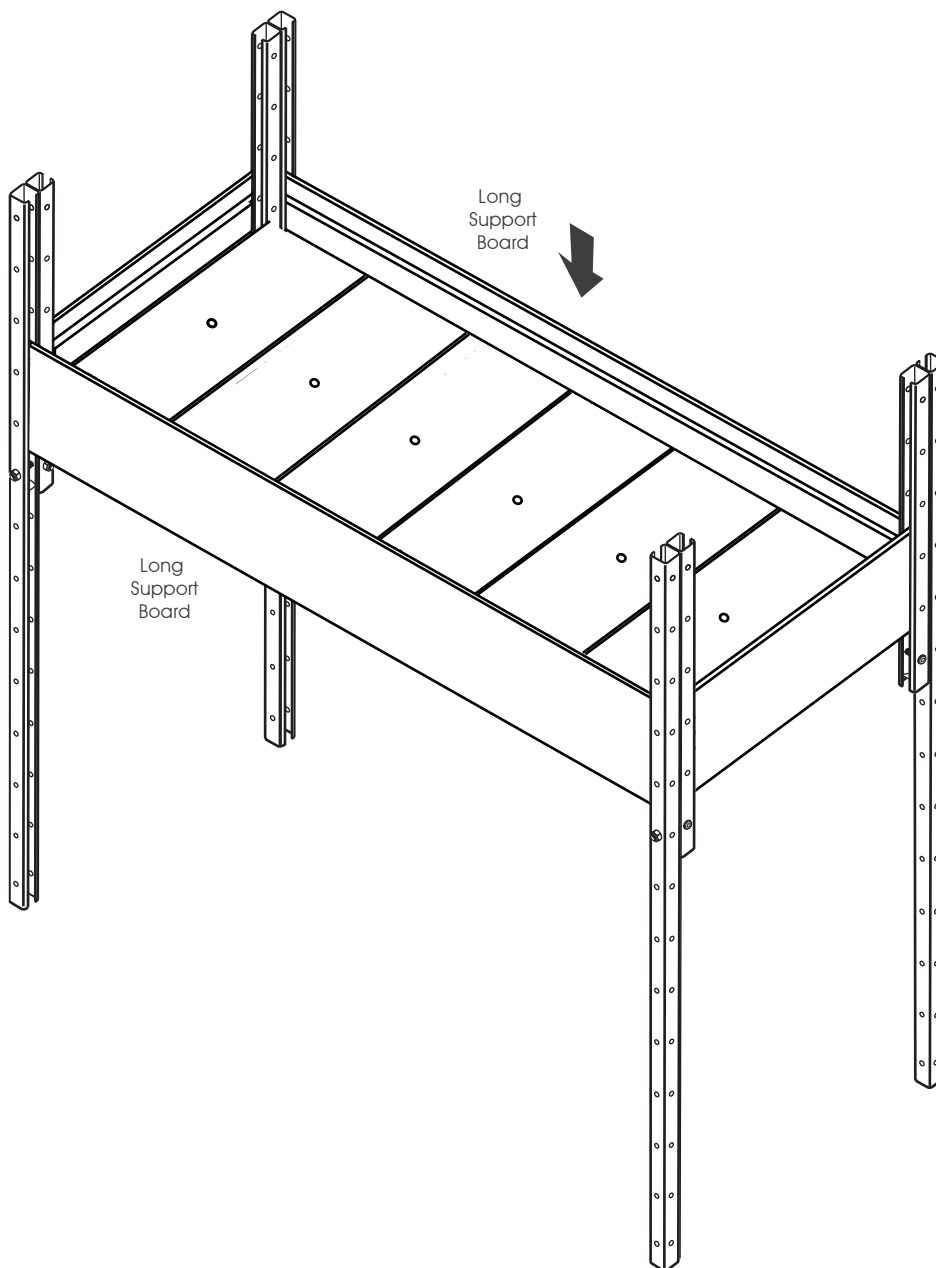


Assembly

Urban Mobile Garden - 45" L x 19" W x 36" H

Push down the higher long support board to the bottom, as shown in Image 8.

IMAGE 8



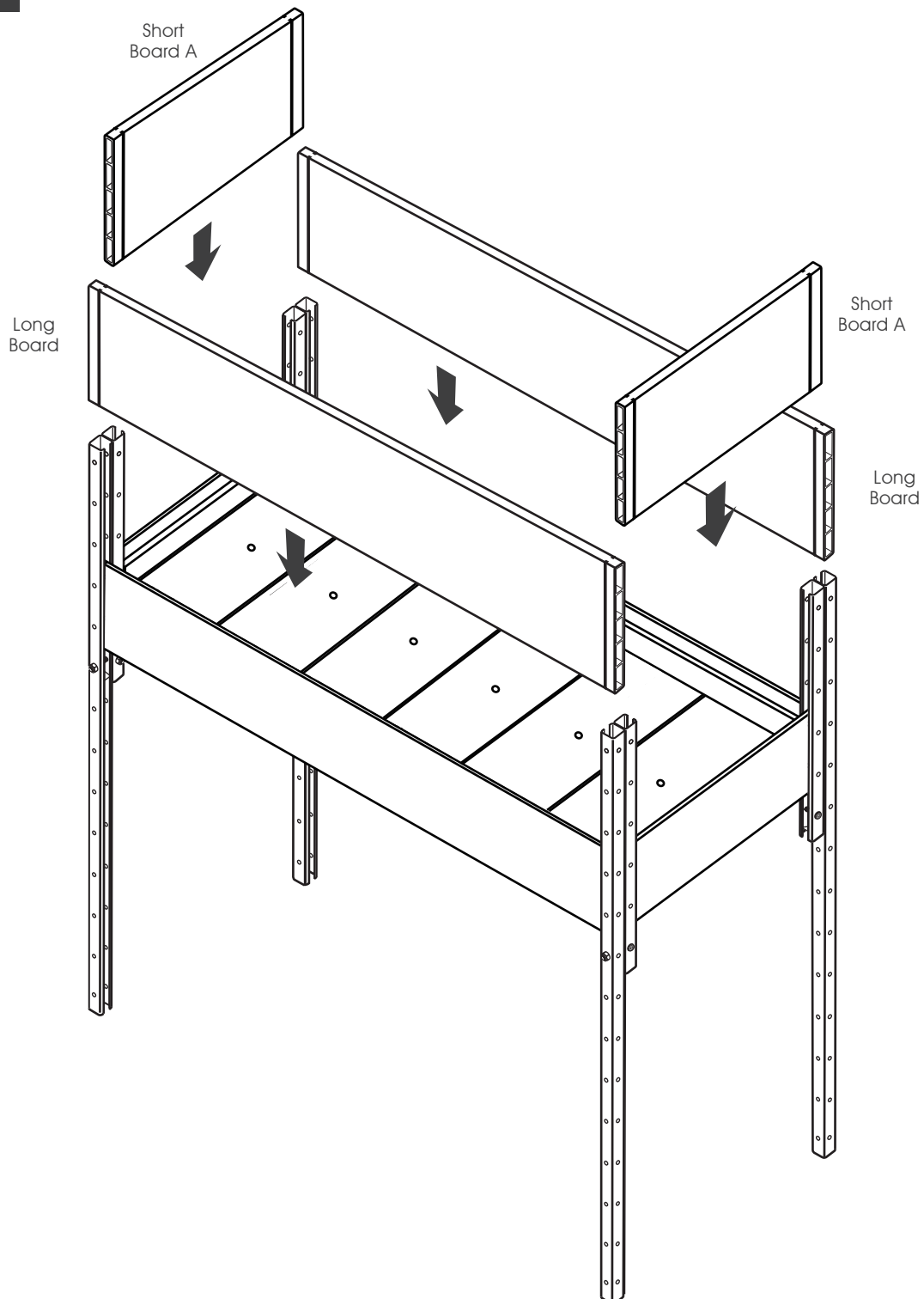
Assembly

Urban Mobile Garden - 45" L x 19" W x 36" H

Slide the remaining boards into place, as shown in Image 9. Now you get an elevated garden bed with 10" planting depth. Then, go to page 15, and follow the steps afterwards.

Note: If you want to add trellis kit onto this bed, please assemble the extension connectors **before** this step, to avoid disassembling the boards later.

IMAGE 9



Assembly

Urban Mobile Garden - 45" L x 19" W x 36" H

Start by making sure each corner post is oriented correctly, as shown in Image 3a. Slide one short board B into the corner brackets from above.

Note: The short boards need to be placed in the inward "U" shape of the brackets, as shown in Image 4a.

IMAGE 3a

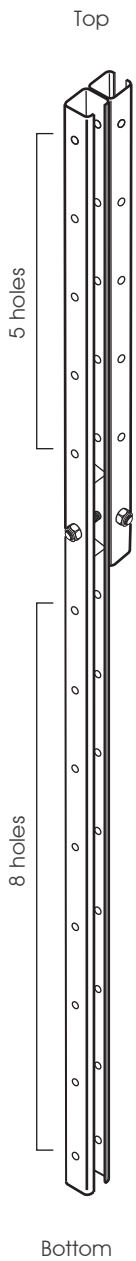
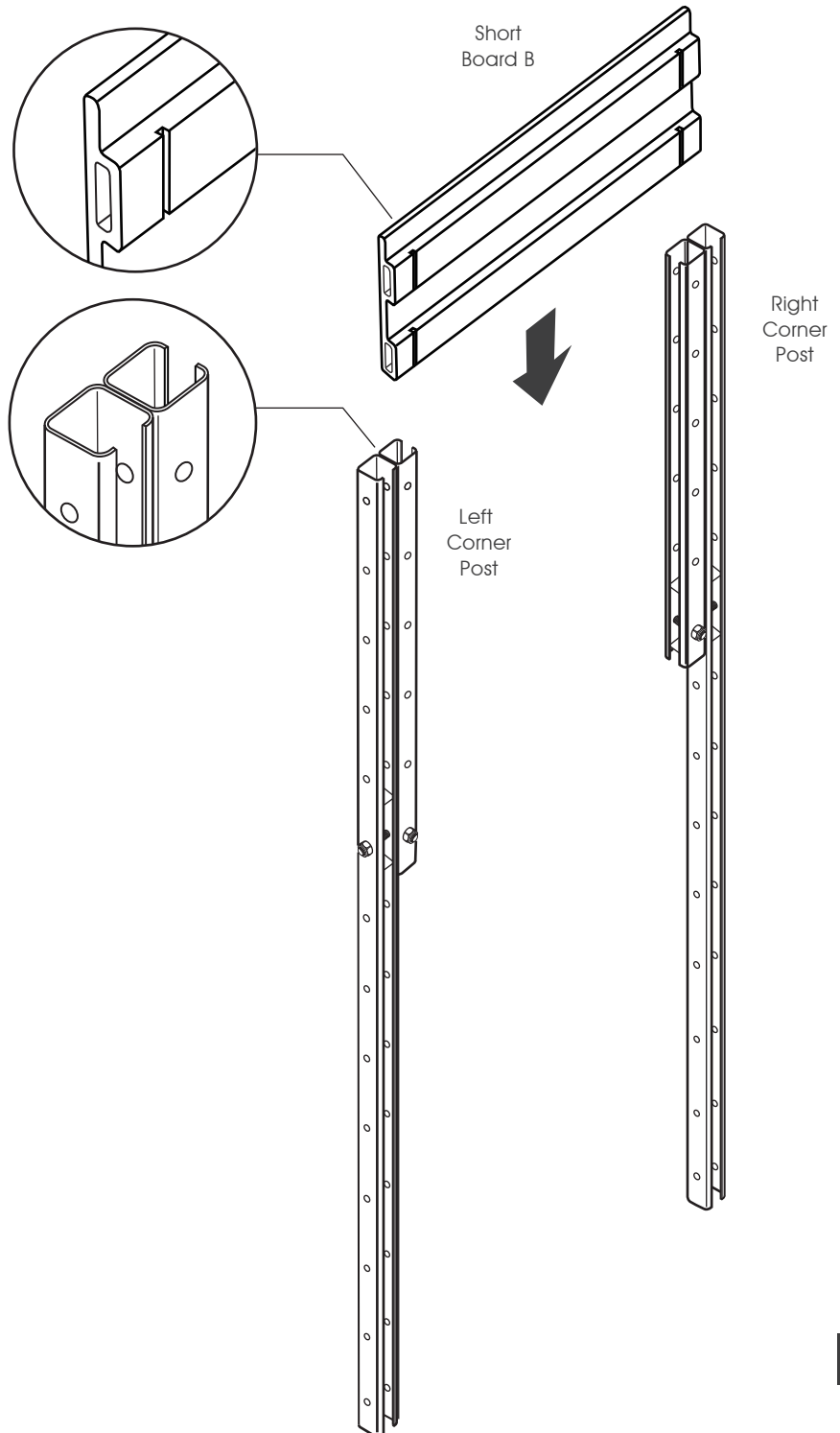


IMAGE 4a

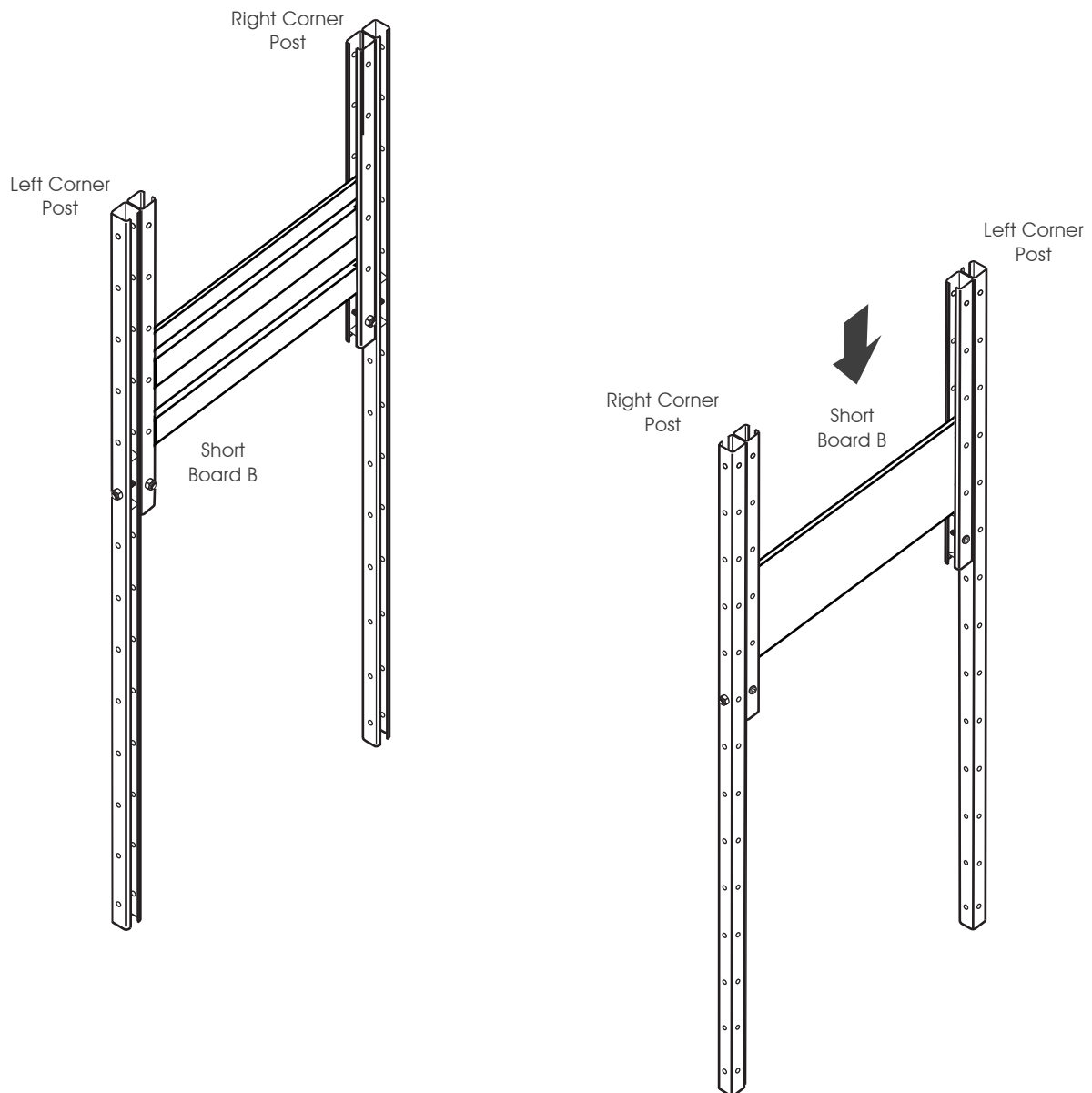


Assembly

Urban Mobile Garden - 45" L x 19" W x 36" H

Slide another short board B into the other two corner brackets from above, as shown in Image 5a.

IMAGE 5a

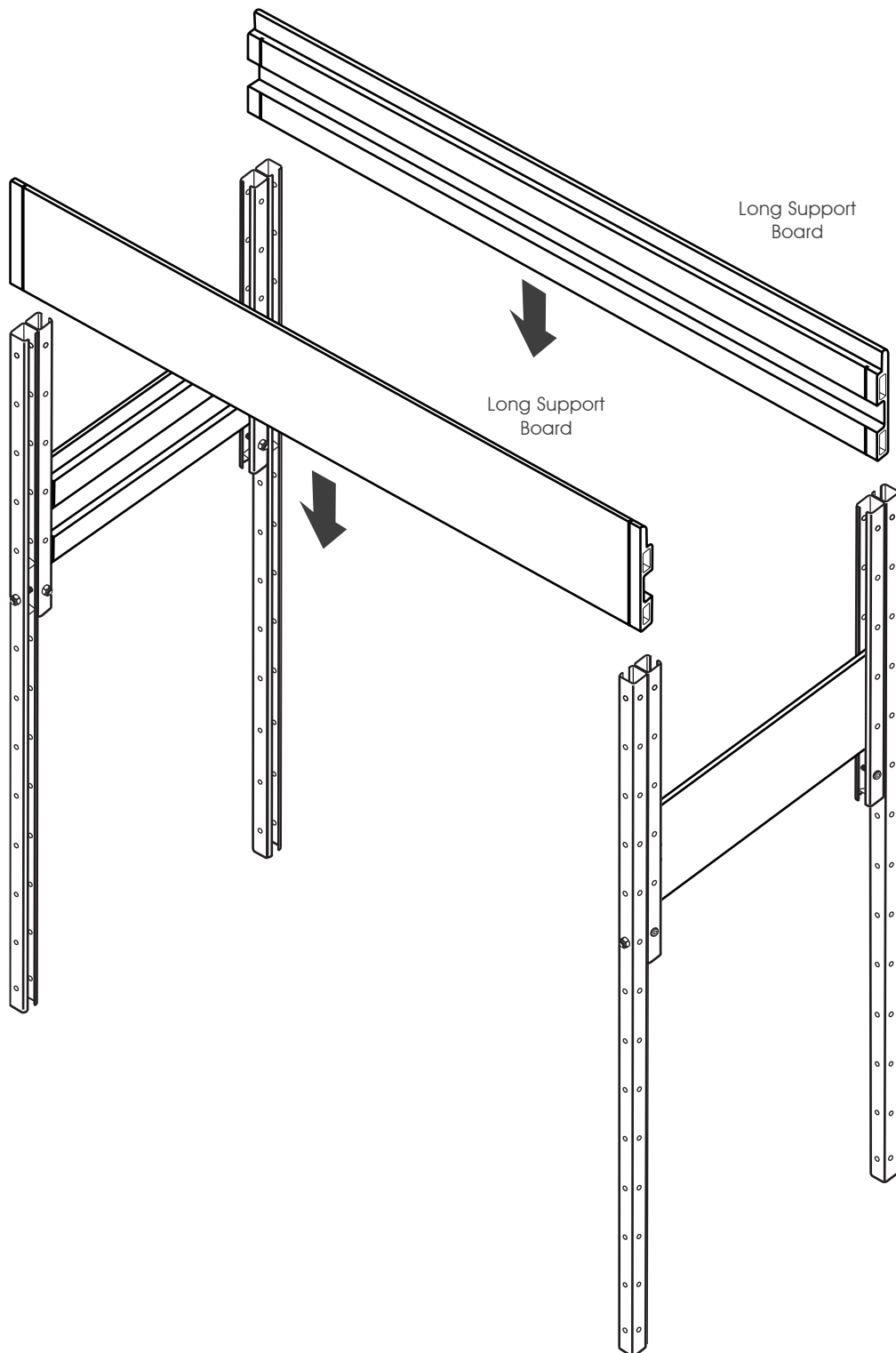


Assembly

Urban Mobile Garden - 45" L x 19" W x 36" H

With the help of another person holding the 2 assembled parts, slide the 2 long support boards into the brackets from above, as shown in Image 6a.

IMAGE 6a

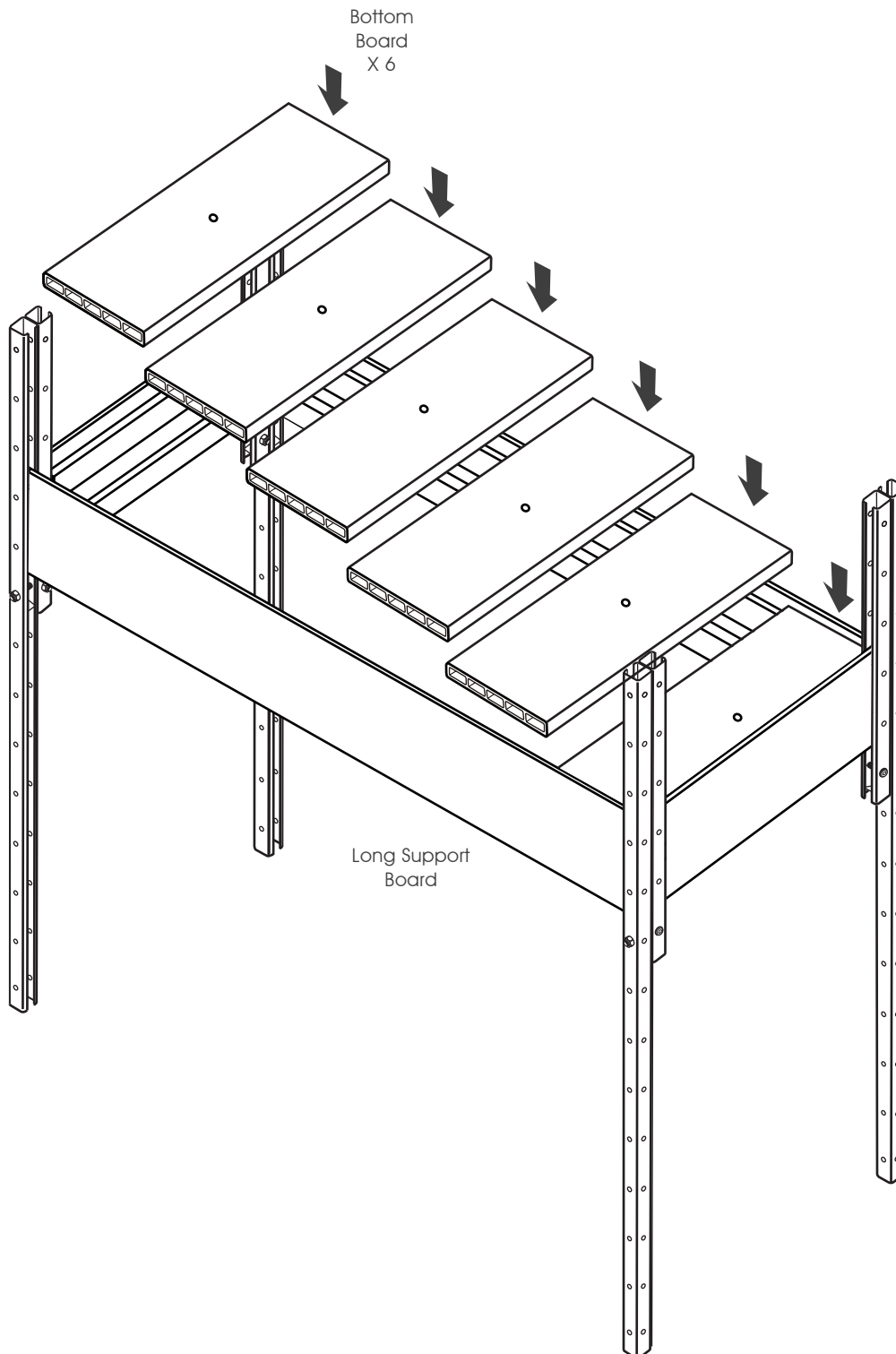


Assembly

Urban Mobile Garden - 45" L x 19" W x 36" H

Put the bottom boards on the long support boards, as shown in Image 7a.

IMAGE 7a



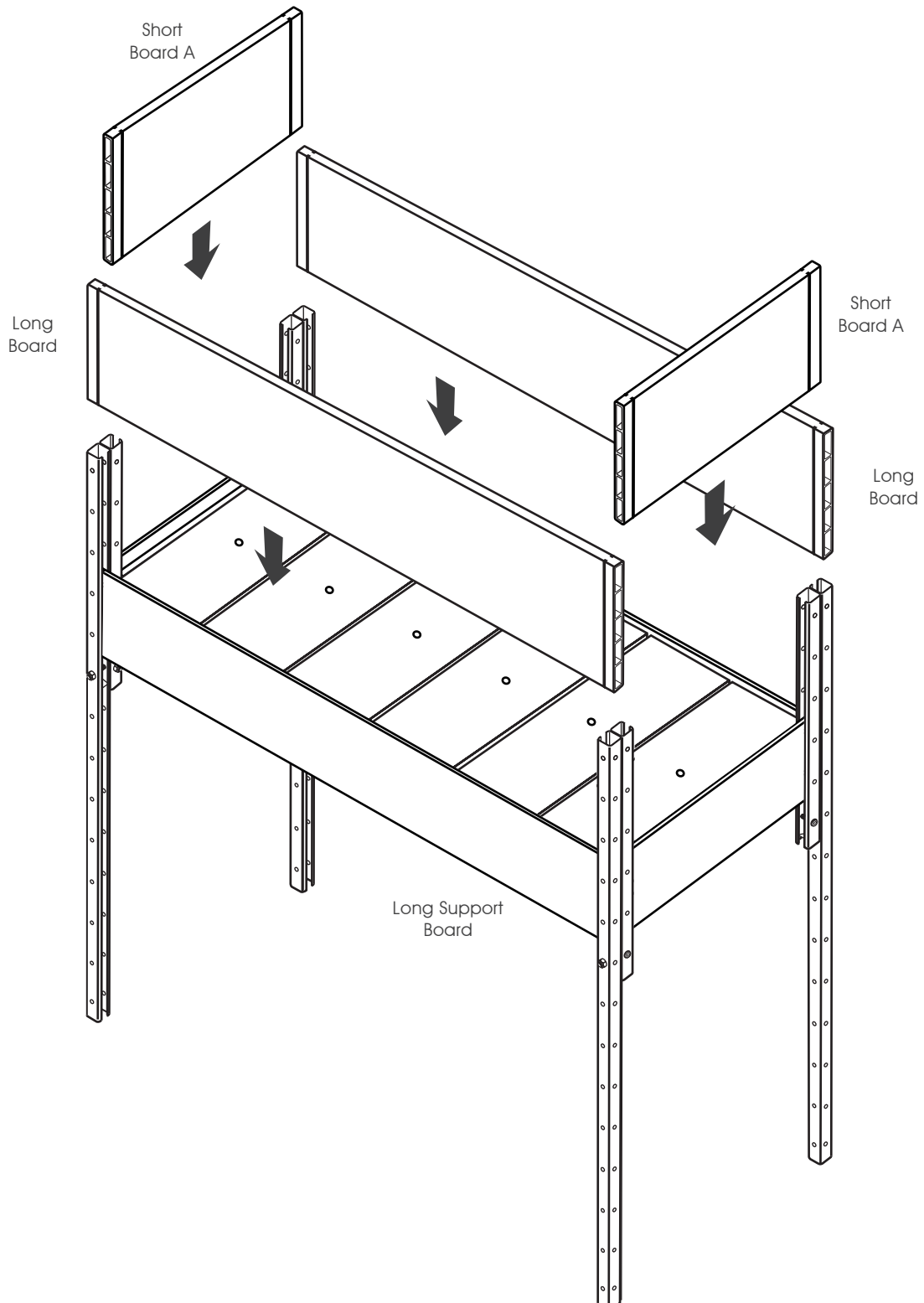
Assembly

Urban Mobile Garden - 45" L x 19" W x 36" H

Slide the remaining boards into place, as shown in Image 8a. Now you get an elevated garden bed with 7.5" planting depth.

Note: If you want to add trellis kit onto this bed, please assemble the extension connectors **before** this step, to avoid disassembling the boards later.

IMAGE 8a



Assembly

Urban Mobile Garden - 45" L x 19" W x 36" H

Carefully flip over the garden bed again so that it lays flat with the long support boards pointing towards the sky. Insert caster wheels into corner brackets, as shown in Image 10 and Image 11.

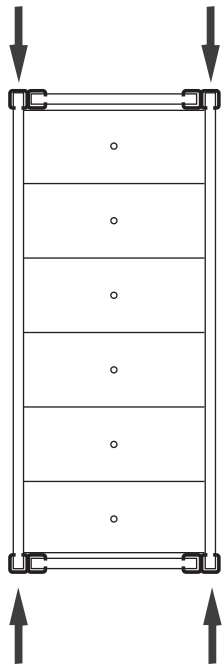


IMAGE 10

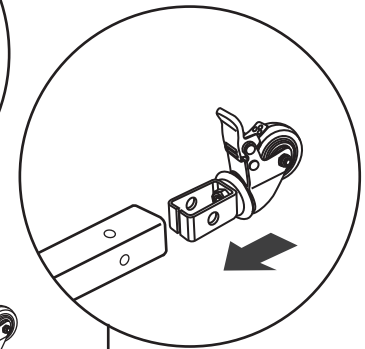
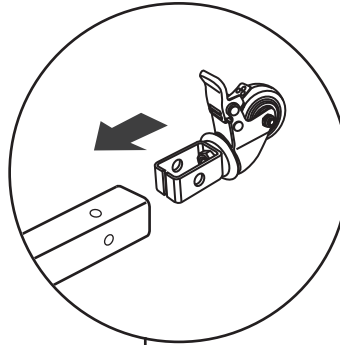
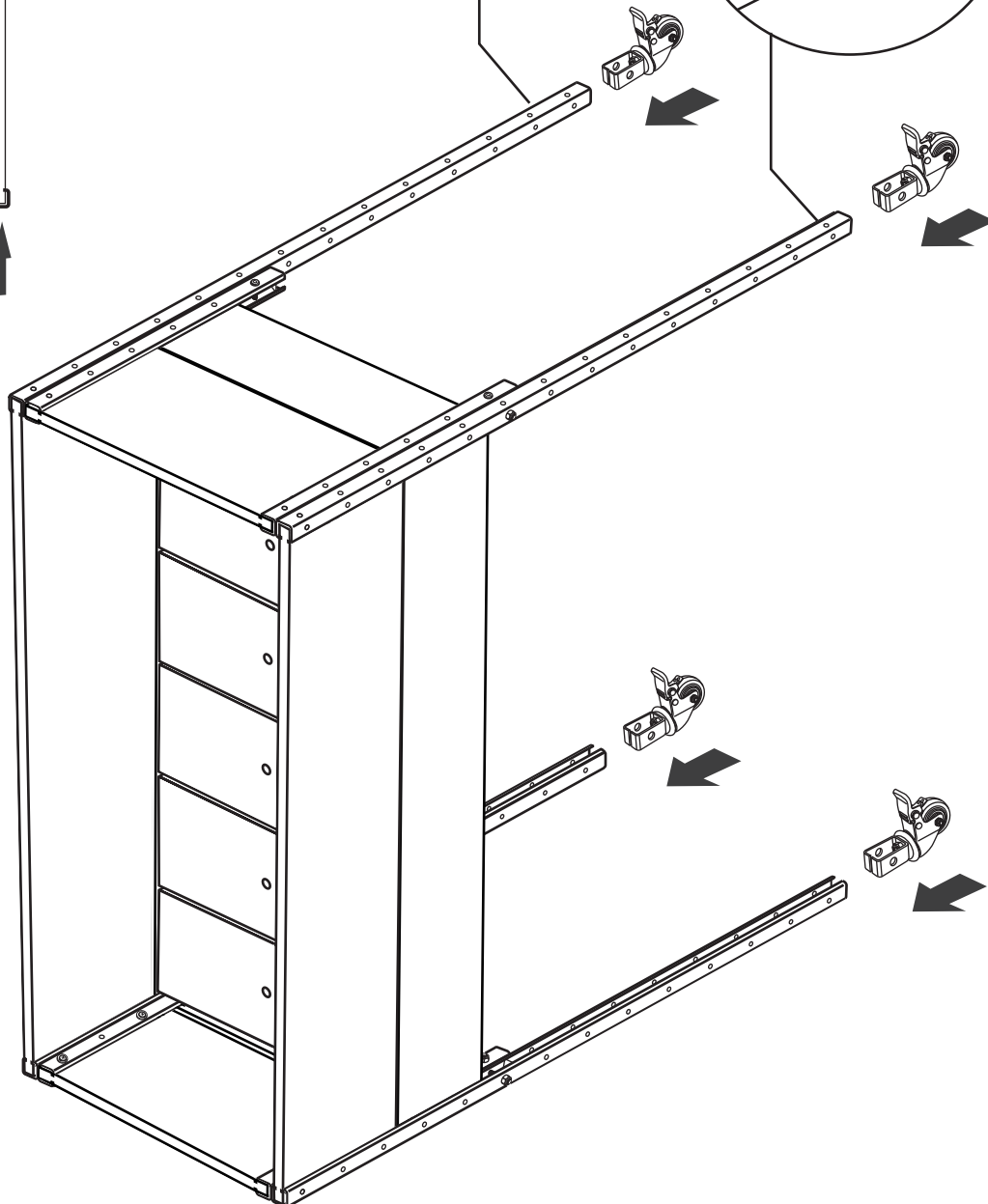


IMAGE 11

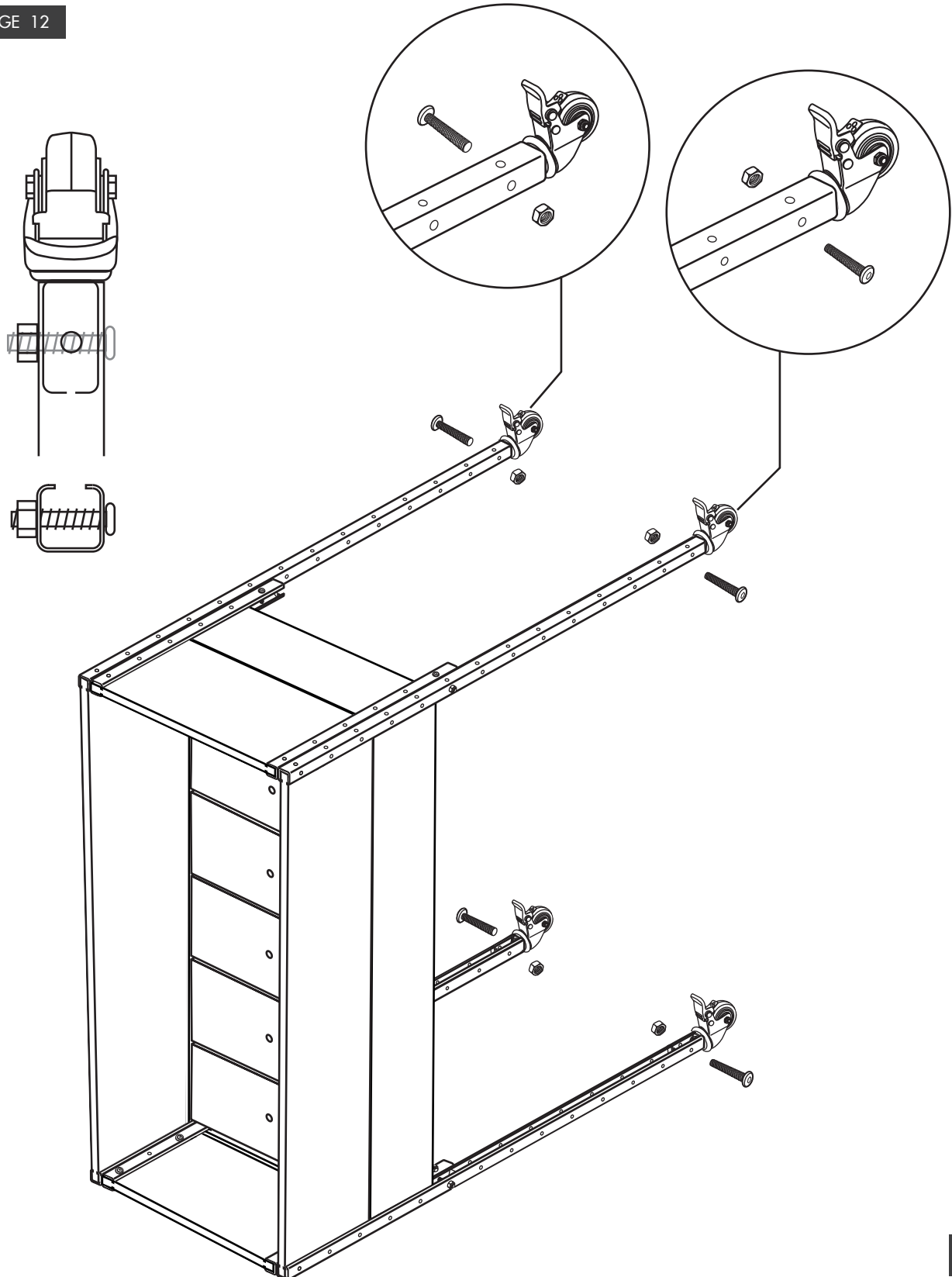


Assembly

Urban Mobile Garden - 45" L x 19" W x 36" H

Fix the wheels with bolts and nuts, as shown in Image 12.

IMAGE 12

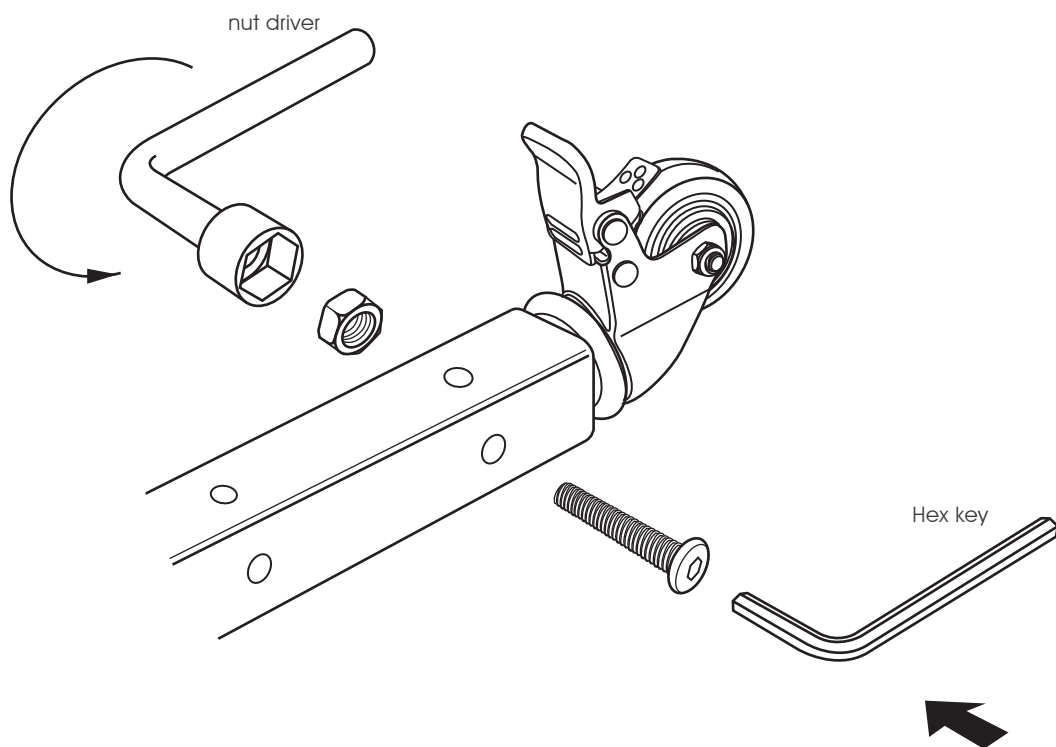


Assembly

Urban Mobile Garden - 45" L x 19" W x 36" H

Fasten bolts and nuts with nut driver and hex key which are included in pack , as shown in Image 13.

IMAGE 13

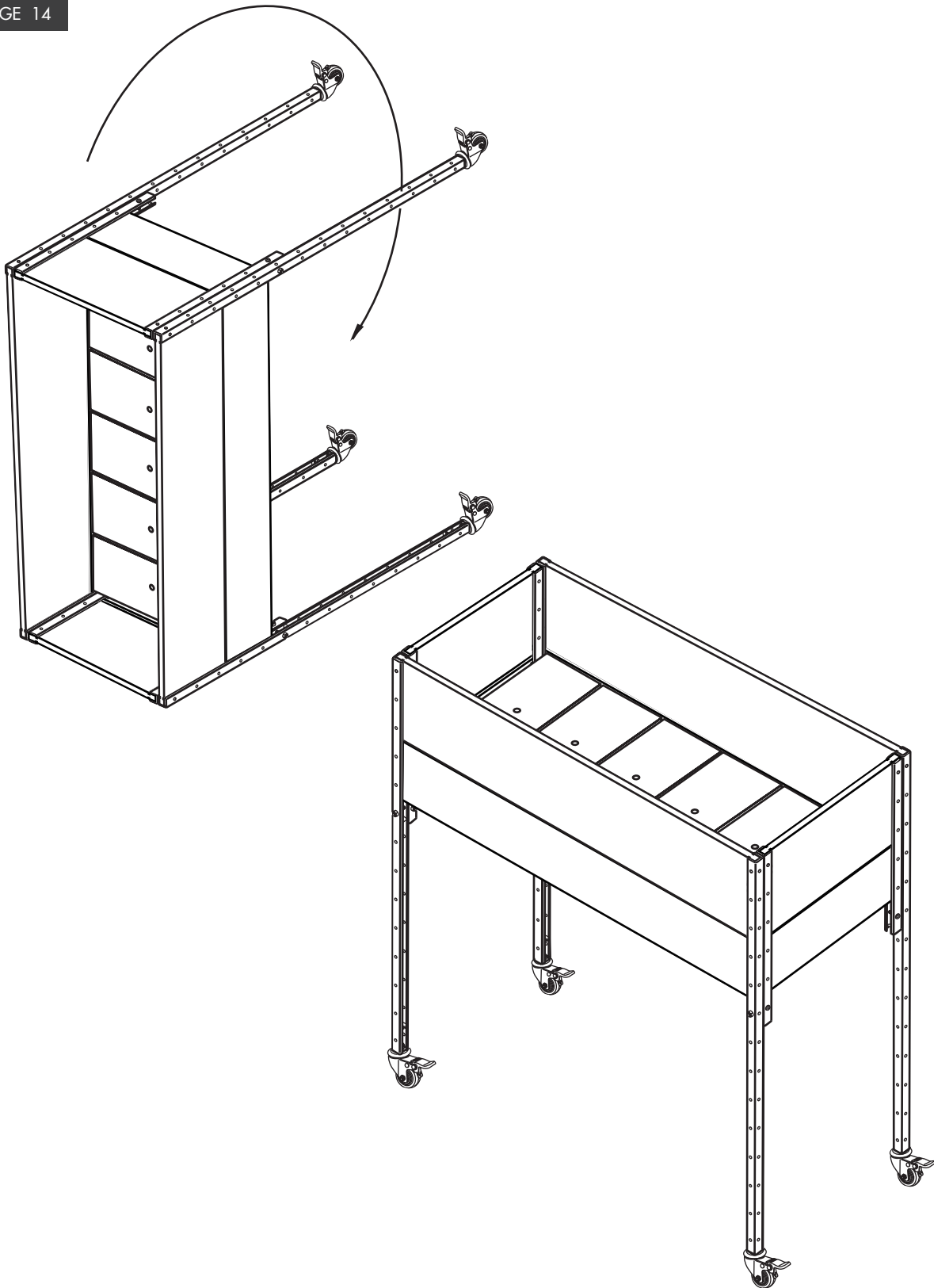


Assembly

Urban Mobile Garden - 45" L x 19" W x 36" H

Flip over the bed again so it stands upright, as shown in Image 14.

IMAGE 14

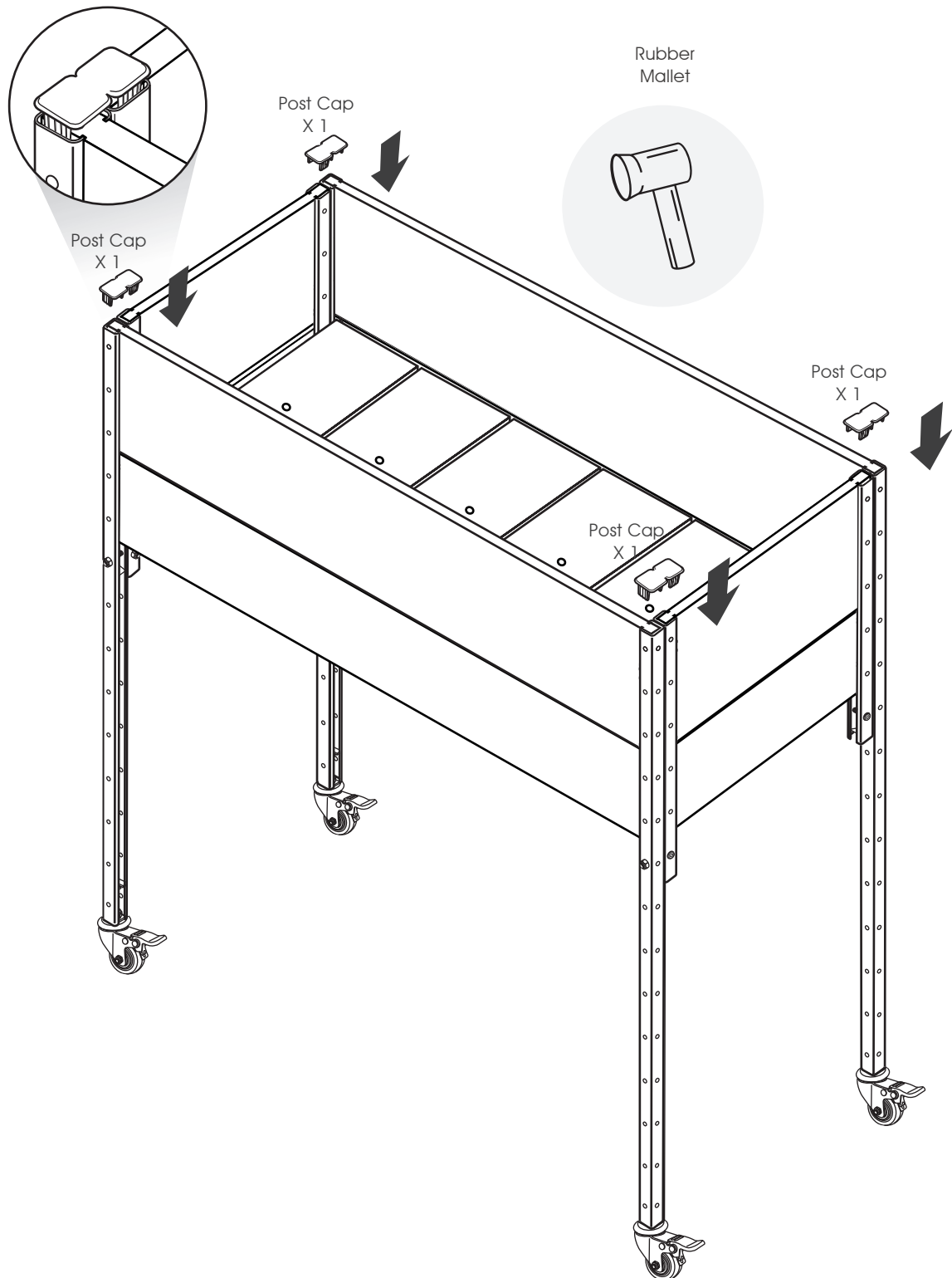


Assembly

Urban Mobile Garden - 45" L x 19" W x 36" H

If necessary, use your rubber mallet to ensure the boards are tightly in place. Cover the brackets with the 4 end caps, as shown in Image 15.

IMAGE 15



Assembly

Urban Mobile Garden - 45" L x 19" W x 36" H

For additional stability when mobile, we highly suggest using the included 8 self-tapping screws with washers (Image 16). Fasten 2 screws into each side of the inward facing corner posts using a #2 Phillips screwdriver (not included), as shown in Image 17.

Screws also can be fastened from outside, as shown in Image 18.
Do not fasten the screws into the same height holes facing to each other on the same post.

IMAGE 16

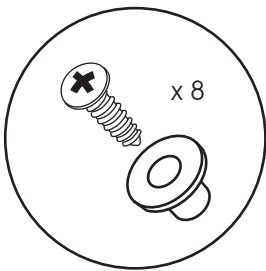


IMAGE 17

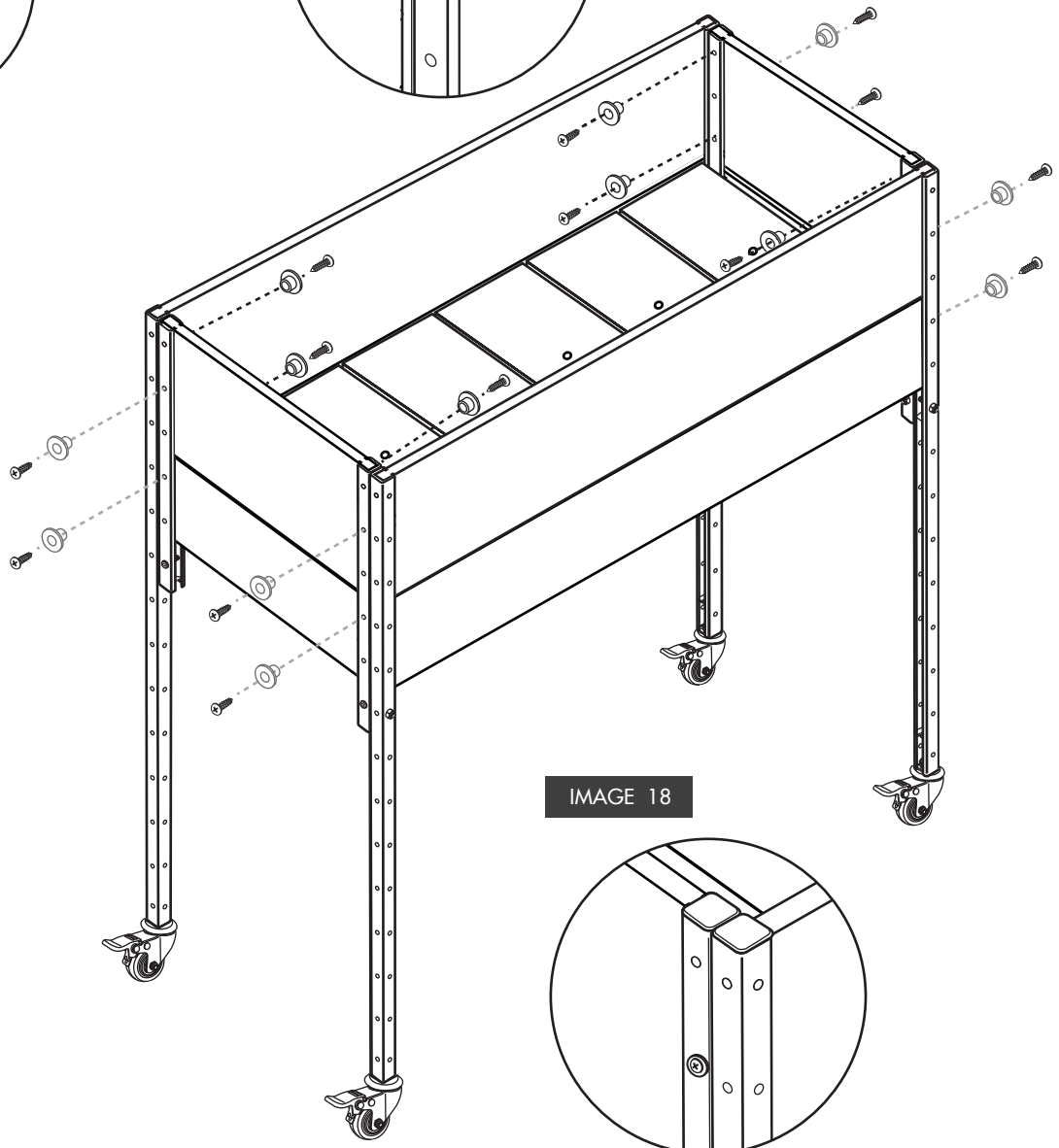
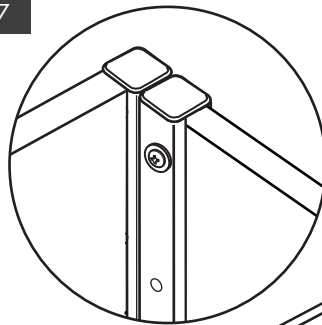


IMAGE 18

Assembly

Urban Mobile Garden - 45" L x 19" W x 36" H

Unfold the liner and cover the bottom of the garden bed, as shown in Image 19 and Image 20.

IMAGE 19

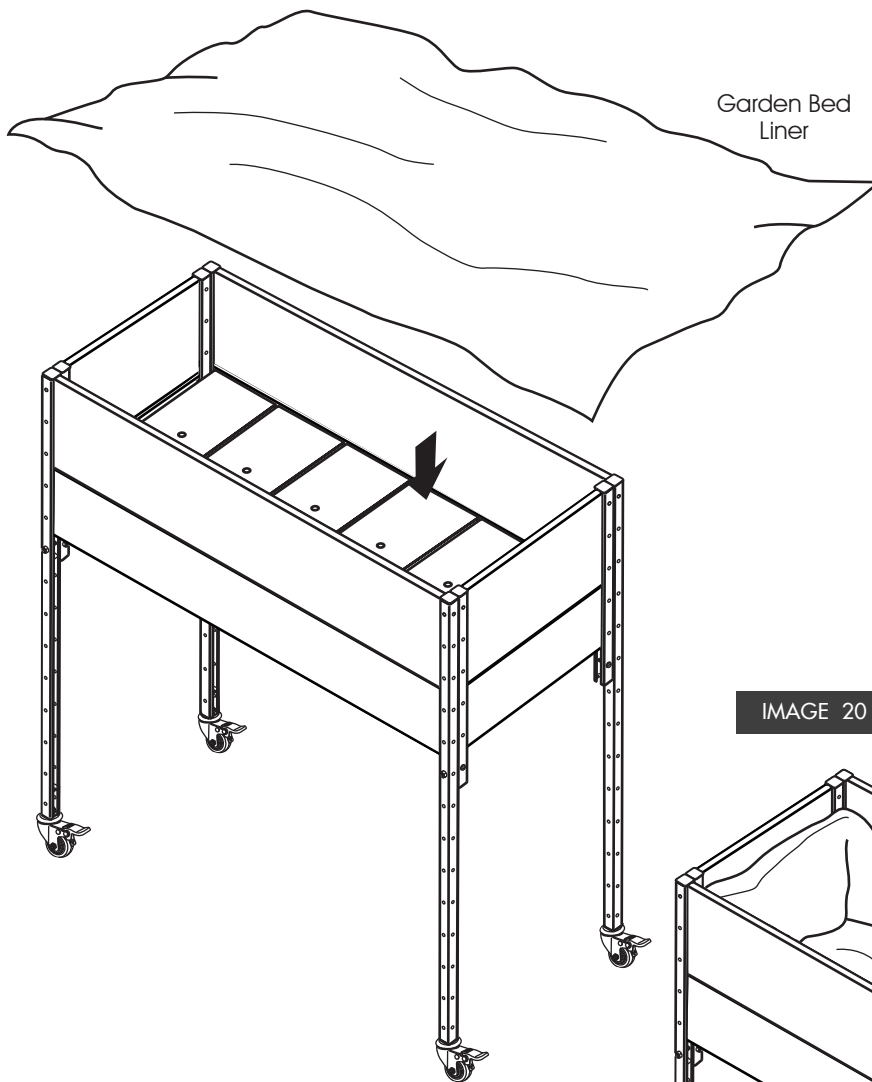
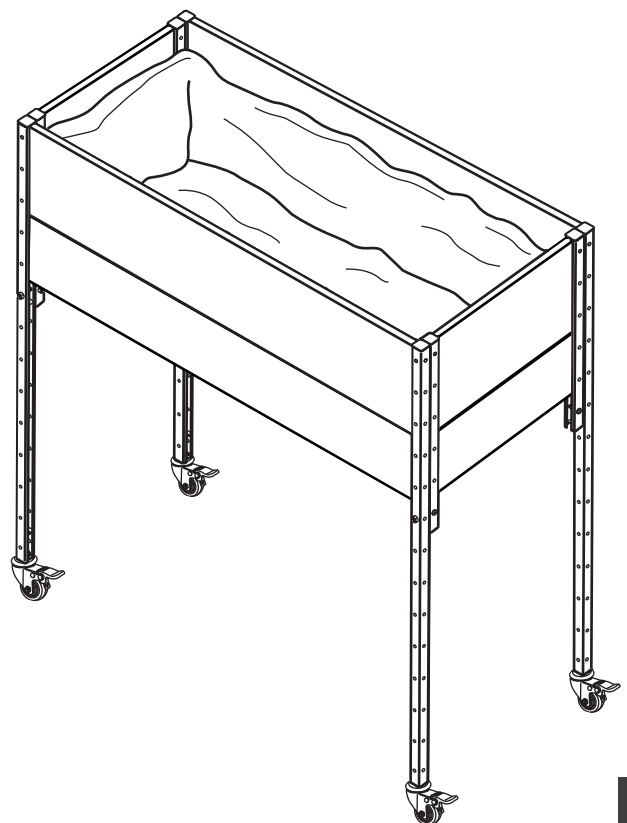


IMAGE 20



Note

Urban Mobile Garden - 45" L x 19" W x 36" H

Sometimes there might be a misalignment of the Corner Posts as shown in Image 21 and Image 22, which may result in difficulty of sliding boards into the brackets. Please adjust them to the right position so that they are parallel to each other, and perpendicular to the ground.

IMAGE 21

Assembling Problem 1

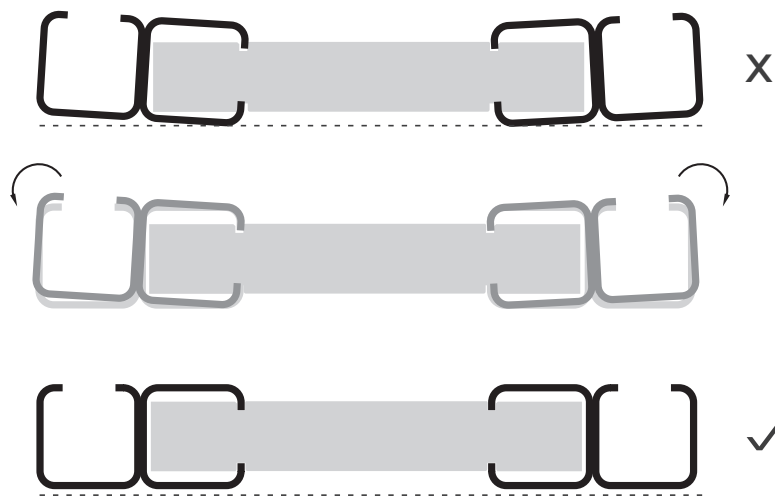
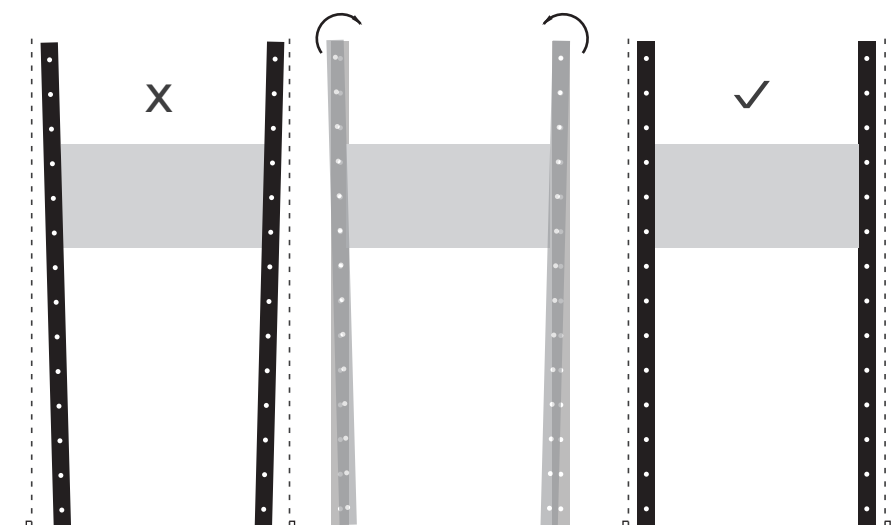


IMAGE 22

Assembling Problem 2



Bloom On.

Everbloom-Garden.com

US Patent Pending

★ Subscribe at www.everbloom-garden.com for
extra savings and upgrading information!

Distributed by:
Dynaforge Trading LLC
St. Paul, MN55101
Email: service@everbloom-garden.com