

The logo for Everbloom, featuring the brand name in a white, elegant script font with a registered trademark symbol (®) to the upper right, set against a dark grey rectangular background.

Deep Trough Garden Bed Elevated 36" L x 12" W x 33" H

Installation Guide

BEFORE YOU START

Please Read the instructions carefully to familiarize yourself with every detail and step involved. Keep this manual for future reference. Find a suitable space to assemble the Everbloom Garden Bed.

You need at least 37" x 13" (94 x 33cm) for the finished product. A flat and firm area (like a garage floor or flat yard space) is perfect! The only tool you may need is a rubber mallet.

IMPORTANT NOTES

Small parts are included; we advise you to keep them away from children and pets.

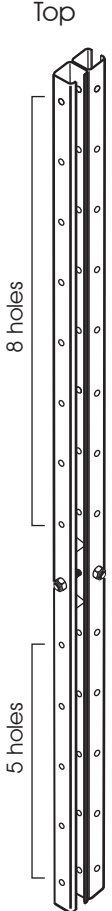
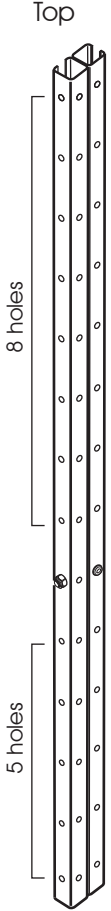
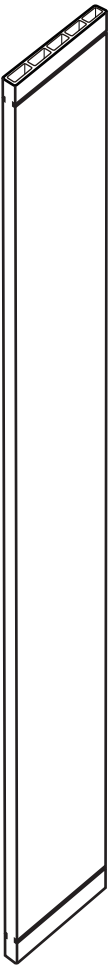

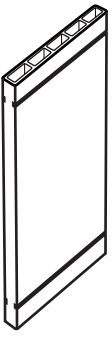
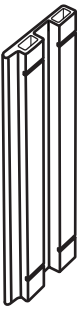
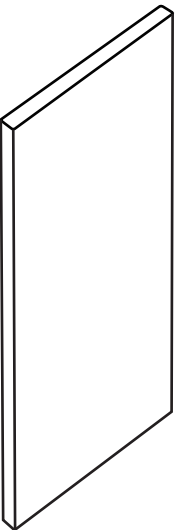
We also suggest having another person help you assemble.

Load capacity: approximately 3 cu. ft. of soil



PARTS LIST

Deep Trough Garden Bed Elevated 36" L x 12" W x 33" H

Left Corner Post X 2	Right Corner Post X 2	Long Board X 4	Long Support Board X 2	Short Board A X 4	Short Board B X 2	Bottom Board X 2
 <p>Top</p> <p>8 holes</p> <p>5 holes</p> <p>Bottom</p>	 <p>Top</p> <p>8 holes</p> <p>5 holes</p> <p>Bottom</p>	 <p>900mm</p>	 <p>900mm</p>	 <p>240mm</p>	 <p>240mm</p>	 <p>420mm</p>

Post Cap
X 8



Garden Bed Liner
X 1



ASSEMBLY

Deep Trough Garden Bed Elevated 36" L x 12" W x 33" H

Start by making sure each corner post is oriented correctly. Reference image 1 and ensure that the 5 holes are on the bottom half of the standing corner posts. Slide one short board B into the corner brackets from above. Note: The short boards need to be placed in the inward "U" shape of the brackets. (Image 2).

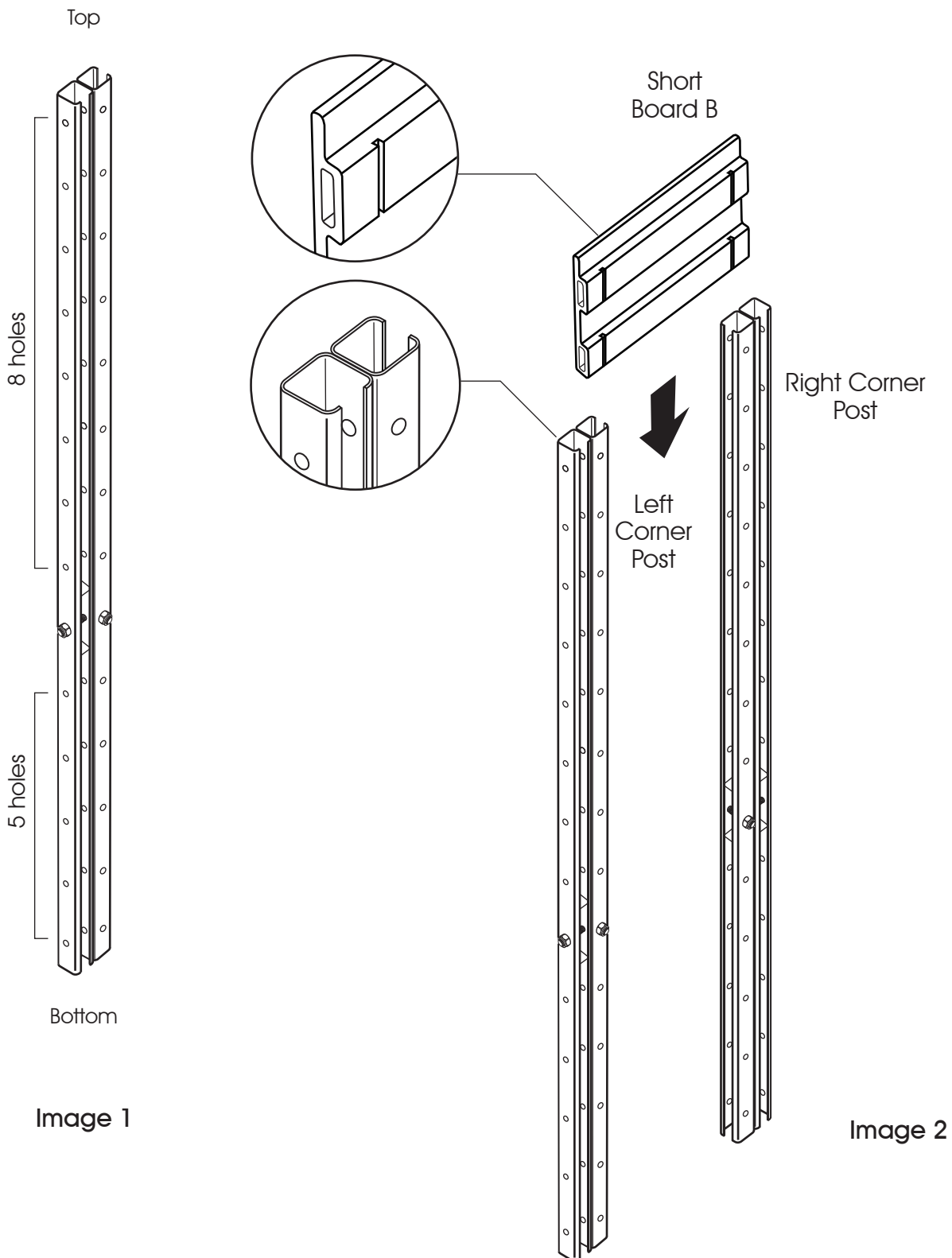


Image 1

Image 2

ASSEMBLY

Deep Trough Garden Bed Elevated 36" L x 12" W x 33" H

Slide the long support boards into the corner posts, as shown in Image 3.

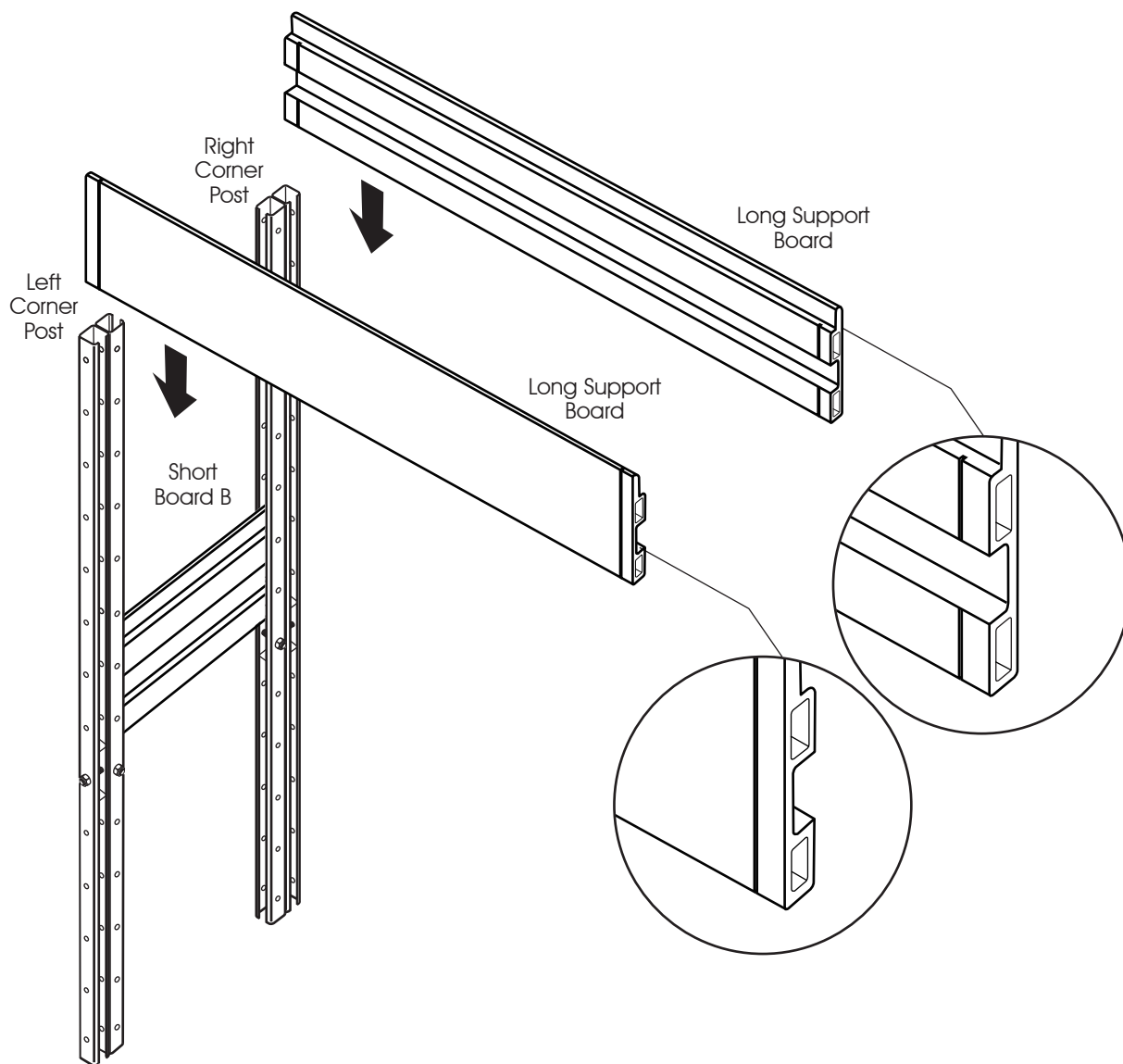


Image 3

ASSEMBLY

Deep Trough Garden Bed Elevated 36" L x 12" W x 33" H

Carefully flip over the garden bed so that it lays flat with the long support boards pointing towards the sky. Slide the bottom boards through the slots of the long support boards. Both 2 boards can be slid in now. (image 4)

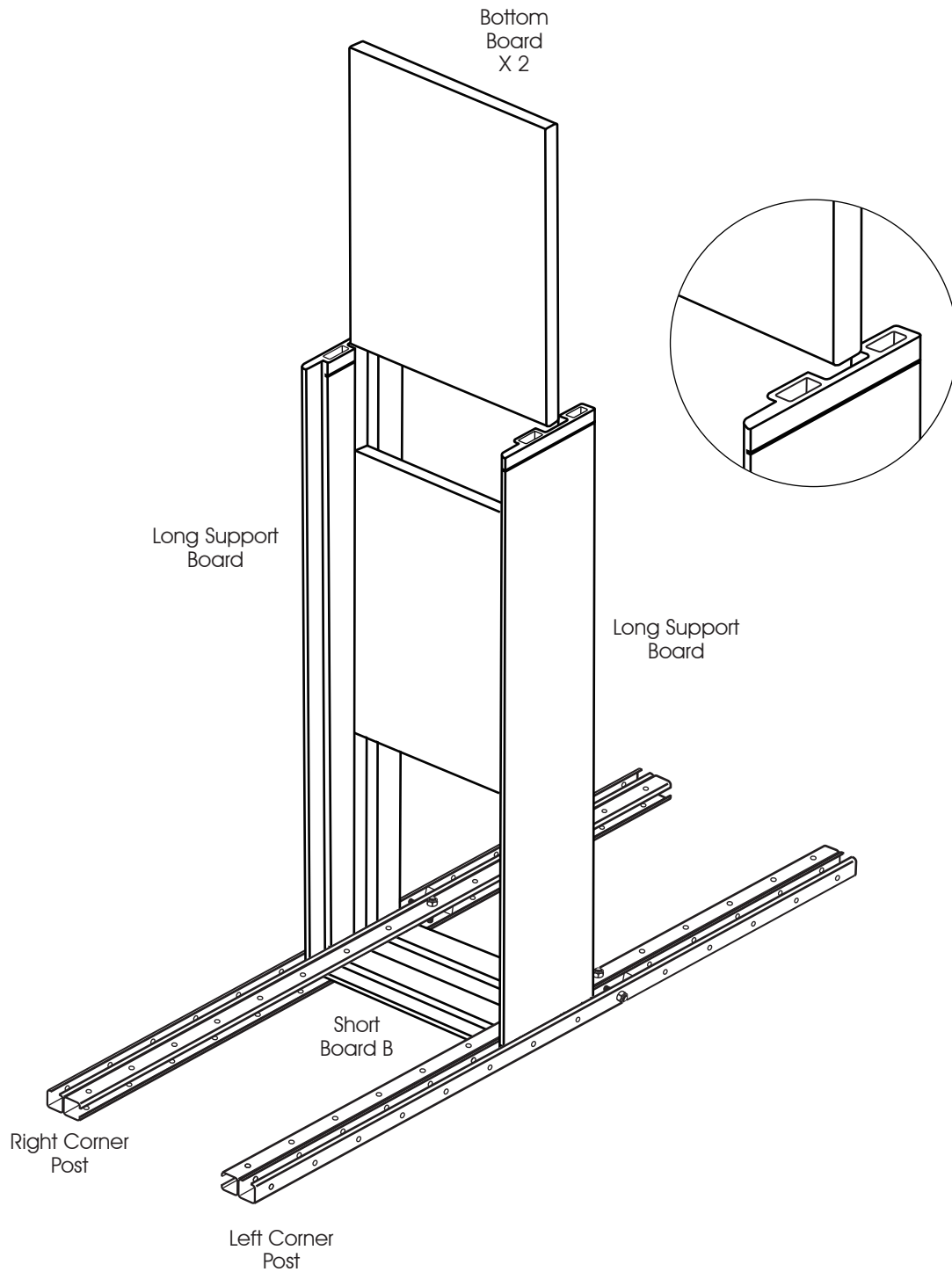


Image 4

ASSEMBLY

Deep Trough Garden Bed Elevated 36" L x 12" W x 33" H

Slide the remaining corner posts into place as shown in Image 5. Ensure that the direction of the each post is symmetric for the remaining short board.

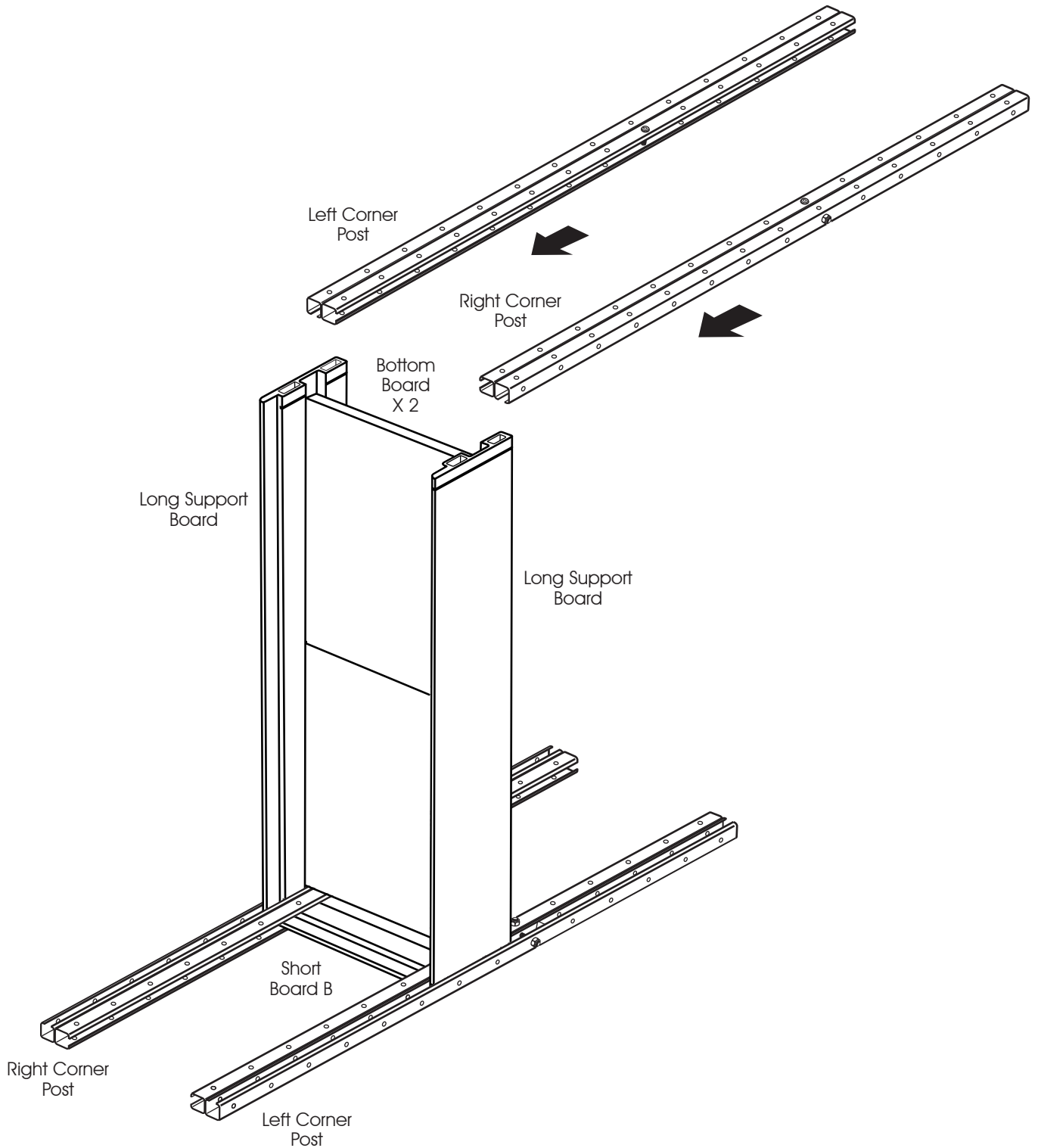


Image 5

ASSEMBLY

Deep Trough Garden Bed Elevated 36" L x 12" W x 33" H

Slide one short board into the corner brackets, as shown in Image 6.

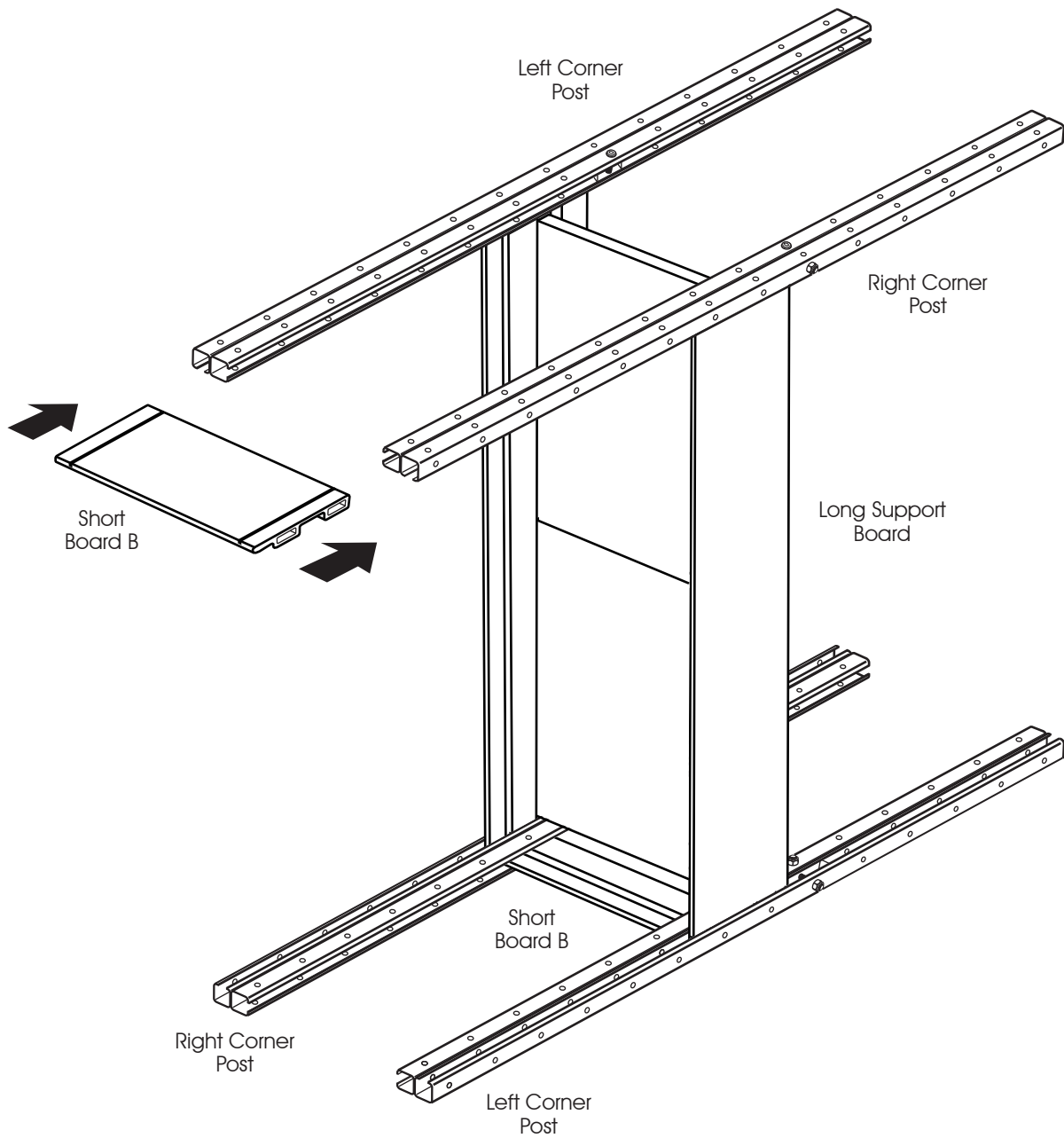


Image 6

ASSEMBLY

Deep Trough Garden Bed Elevated 36" L x 12" W x 33" H

Flip over the bed so it stands upright. Slide the remaining boards into place, as shown in image 7.

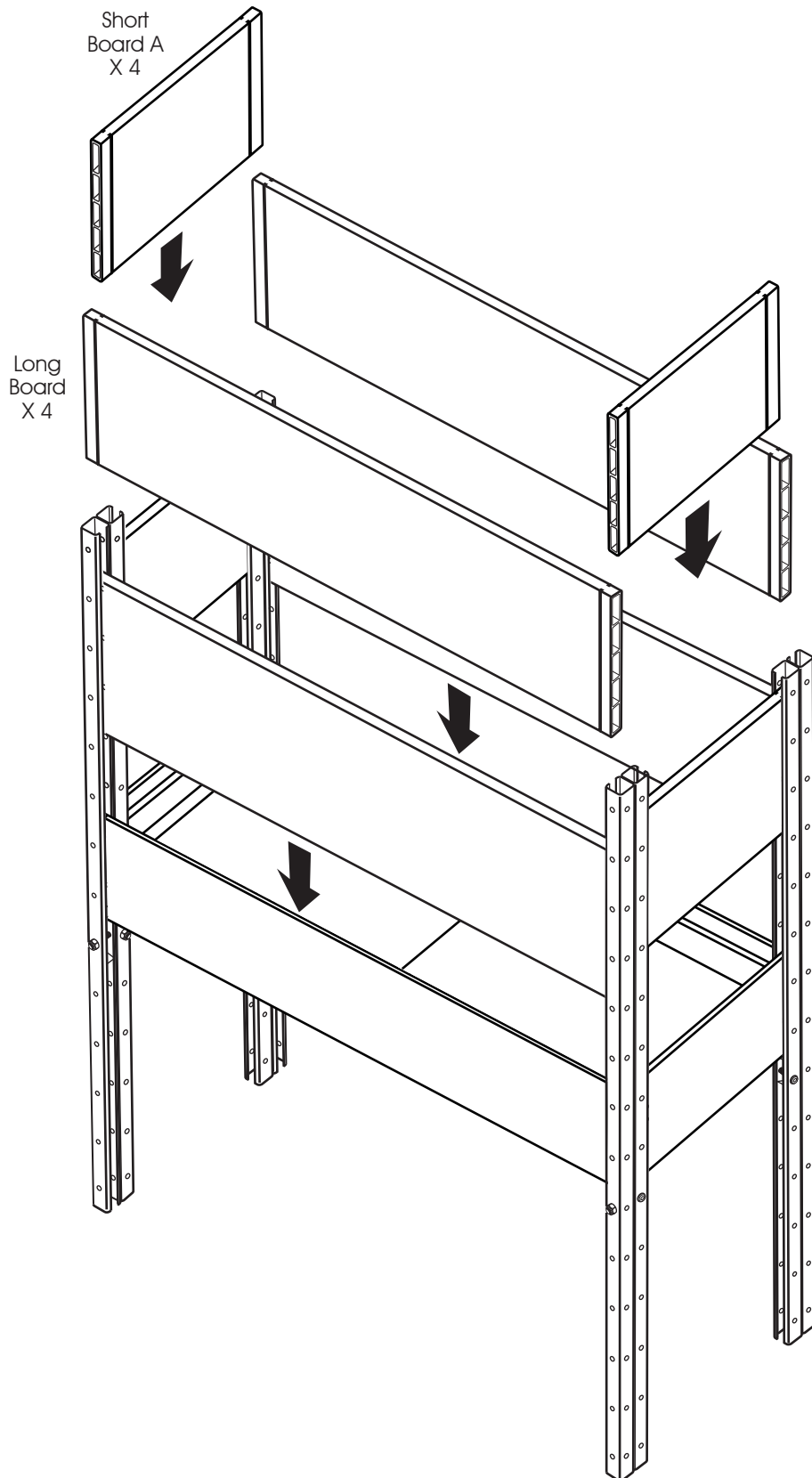


Image 7

ASSEMBLY

Deep Trough Garden Bed Elevated 36" L x 12" W x 33" H

Use the rubber mallet to ensure the boards are tightly in place. Cover the brackets with the 8 end caps, as shown in Image 8.

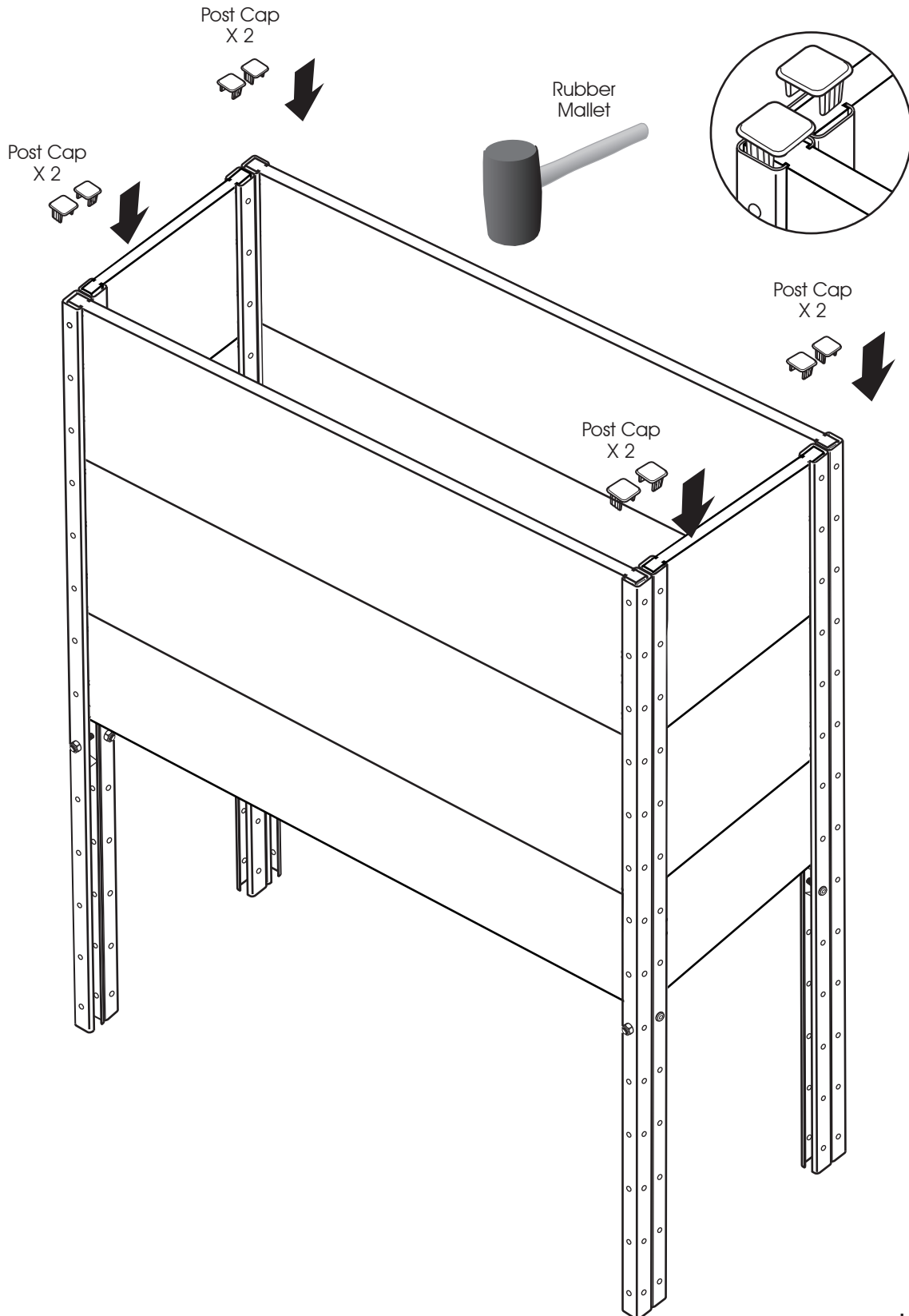


Image 8

ASSEMBLY

Deep Trough Garden Bed Elevated 36" L x 12" W x 33" H

Unfold the liner and cover the bottom of the garden bed, as shown in Image 9 and Image 10.

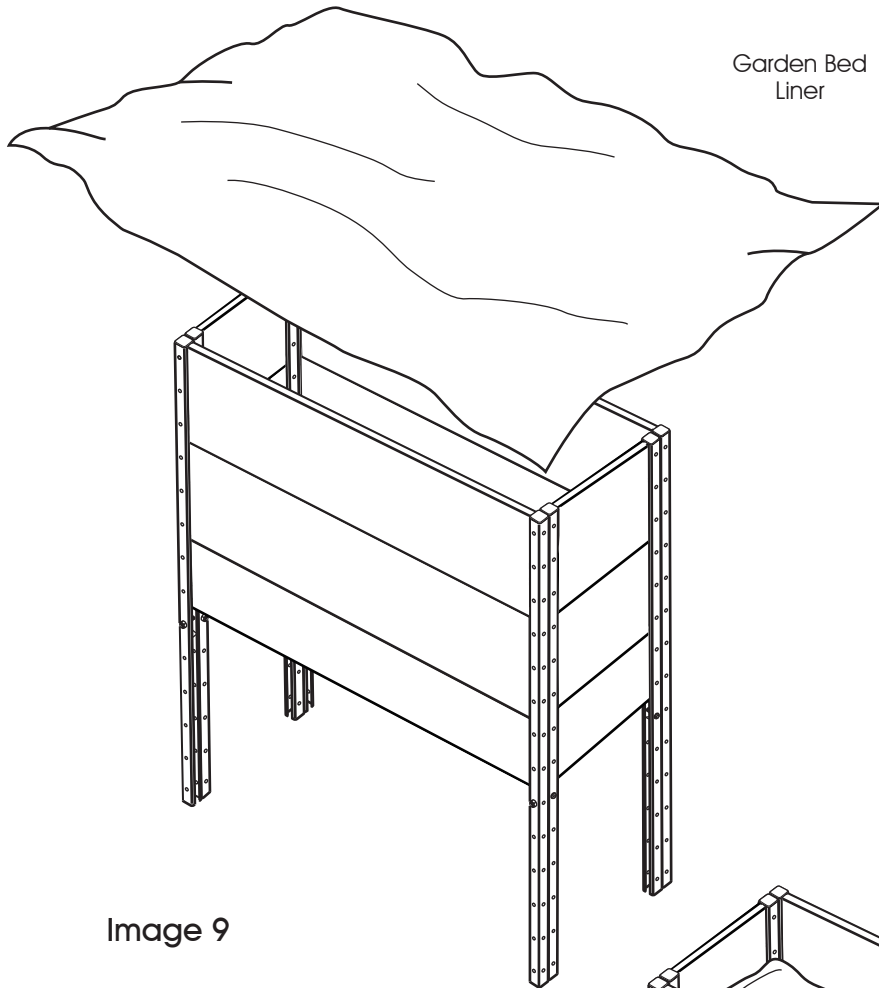


Image 9

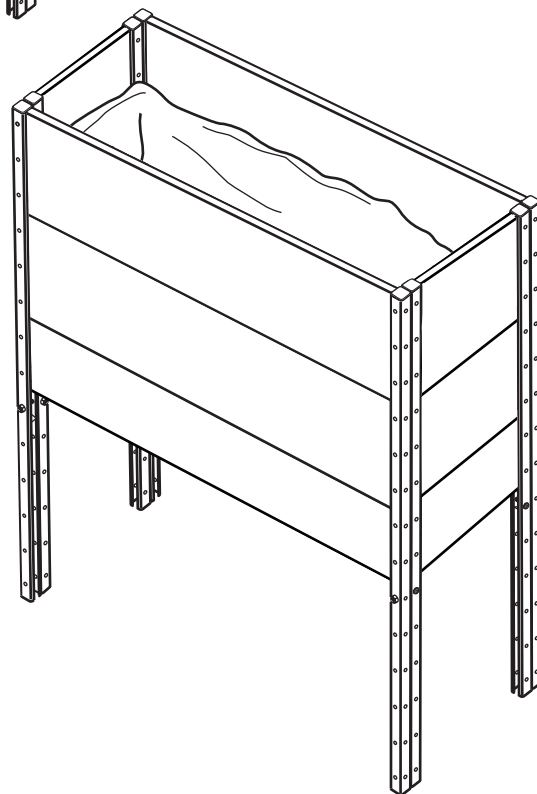


Image 10

Notes

Deep Trough Garden Bed Elevated 36" L x 12" W x 33" H

Sometimes there might be mis-alignment of corner brackets as showed in Image 11 and Image 12, which may result in difficulty of sliding boards into the brackets. Please adjust them to the right position.

ASSEMBLING PROBLEM 1

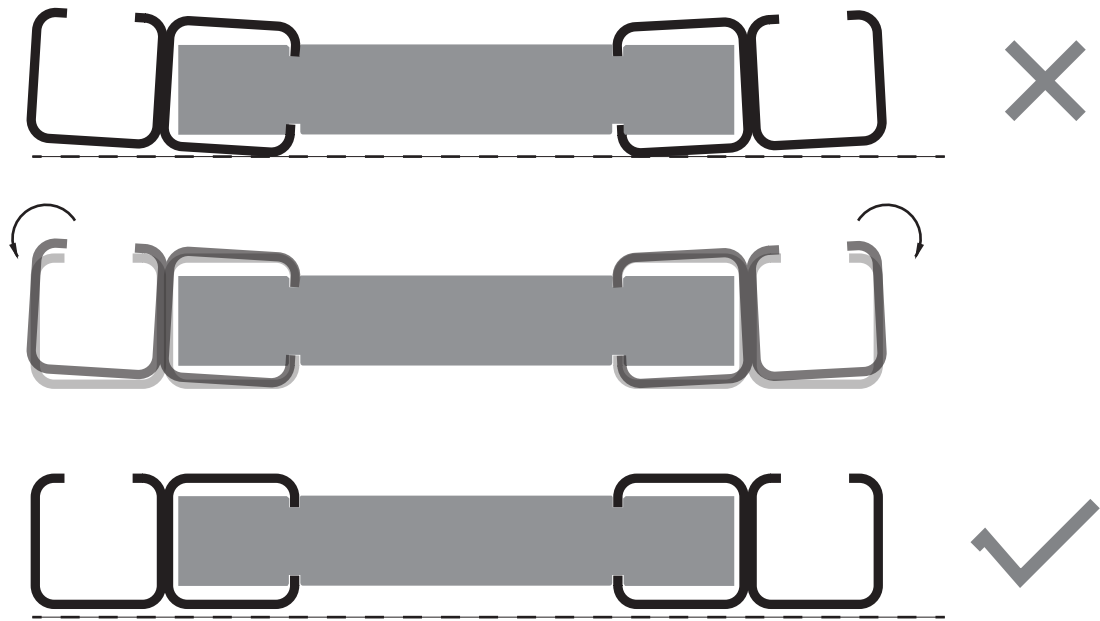


Image 11

ASSEMBLING PROBLEM 2

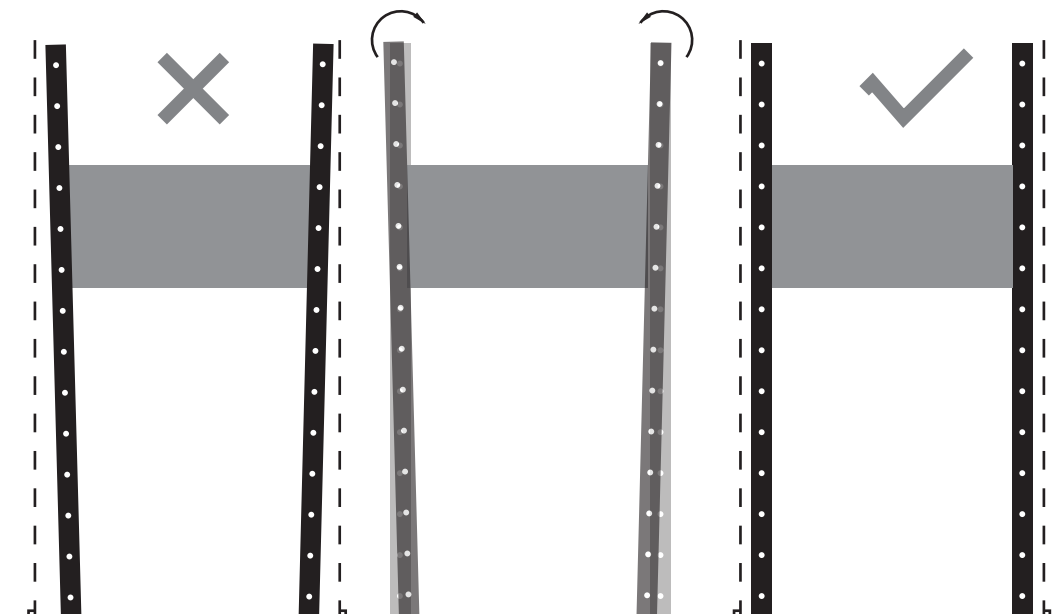


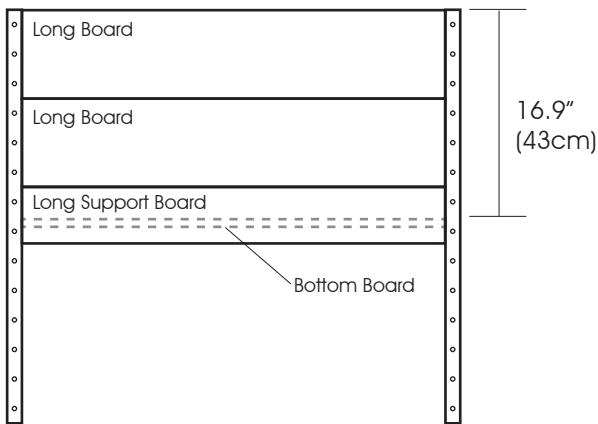
Image 12

Notes

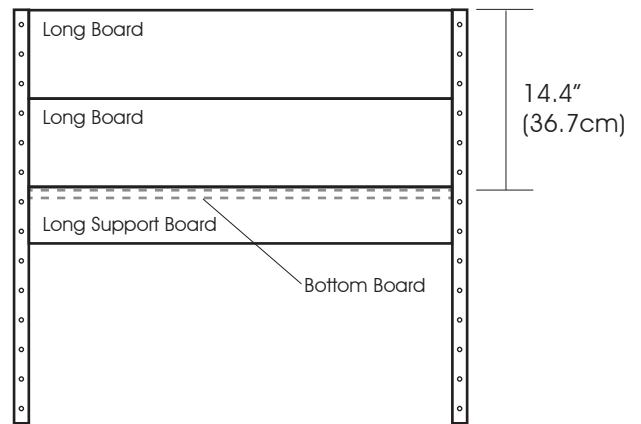
Deep Trough Garden Bed Elevated 36" L x 12" W x 33" H

Six depths are available by changing the sequence of the boards and position of the bottom boards, as shown in below images. You can choose according to different needs .

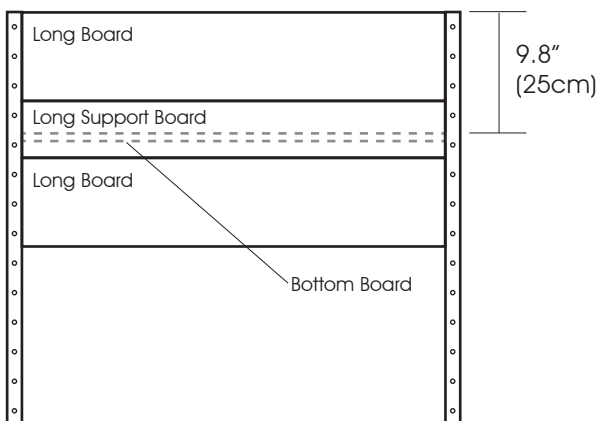
Depth 1



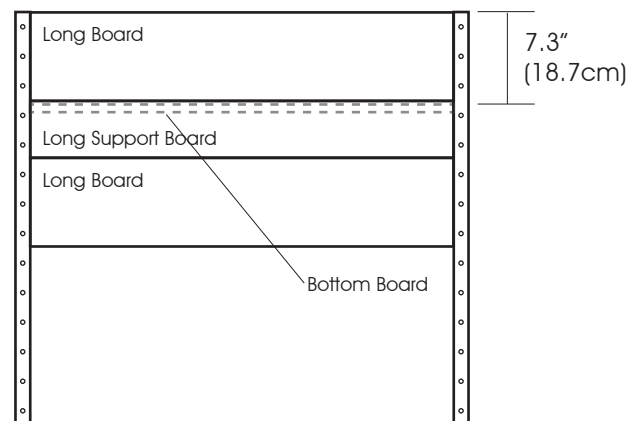
Depth 2



Depth 3



Depth 4

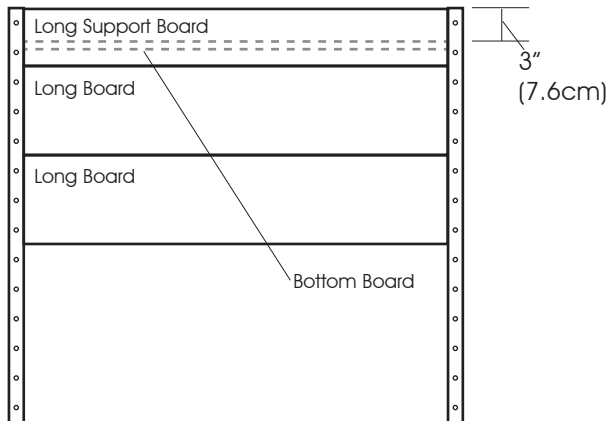


Notes

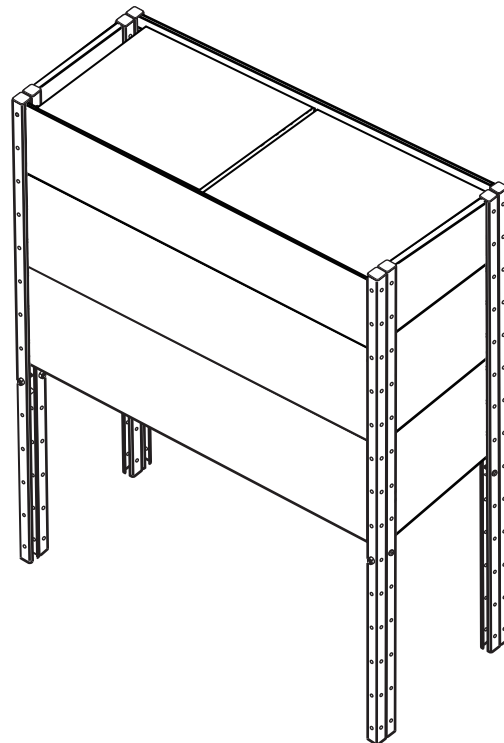
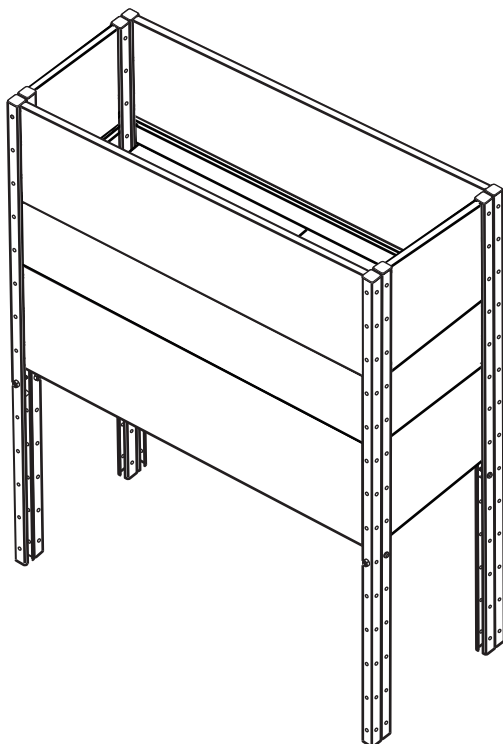
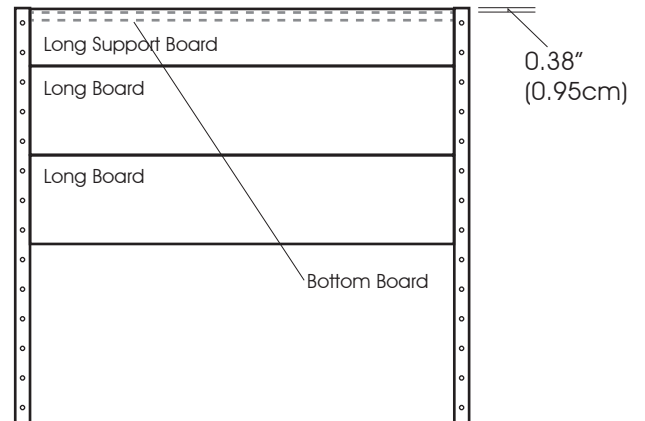
Deep Trough Garden Bed Elevated 36" L x 12" W x 33" H

Six depths are available by changing the sequence of the boards and position of the bottom boards, as shown in below images. You can choose according to different needs .

Depth 5



Depth 6



Everbloom®

Questions or Comments?
Email us at service@everbloom-garden.com
Welcome to our website:
www.everbloom-garden.com



PLEASE
RECYCLE

Distributed by:
Dynaforge Trading LLC
St. Paul, MN55101
Email: service@everbloom-garden.com