



---

## Deep Trough Planter Box

### Installation Guide

---

### Thank You!

You're only a few steps away from your perfect vegetable garden or elevated planter. We hope you enjoy!

Model# E213612 / E213612G  
Dimensions 36" L x 12" W x 21" H

### Before You Start

Please read the instructions carefully to familiarize yourself with every detail and step involved. Keep this manual for future reference. Find a suitable space to assemble your new Trough Planter Box.

You need at least 37" x 13" (94 x 33cm) for the finished product. A flat and firm area (like a garage floor or flat yard space) is perfect! The only tool you may need is a rubber mallet.

### Important Notes

Small parts are included; we advise you to keep them away from children and pets.

We also suggest having another person help you assemble. Maximum Load Capacity: approximately 4 cu. ft. of soil

★ [Subscribe at www.everbloom-garden.com](http://www.everbloom-garden.com) for extra savings and upgrading information!



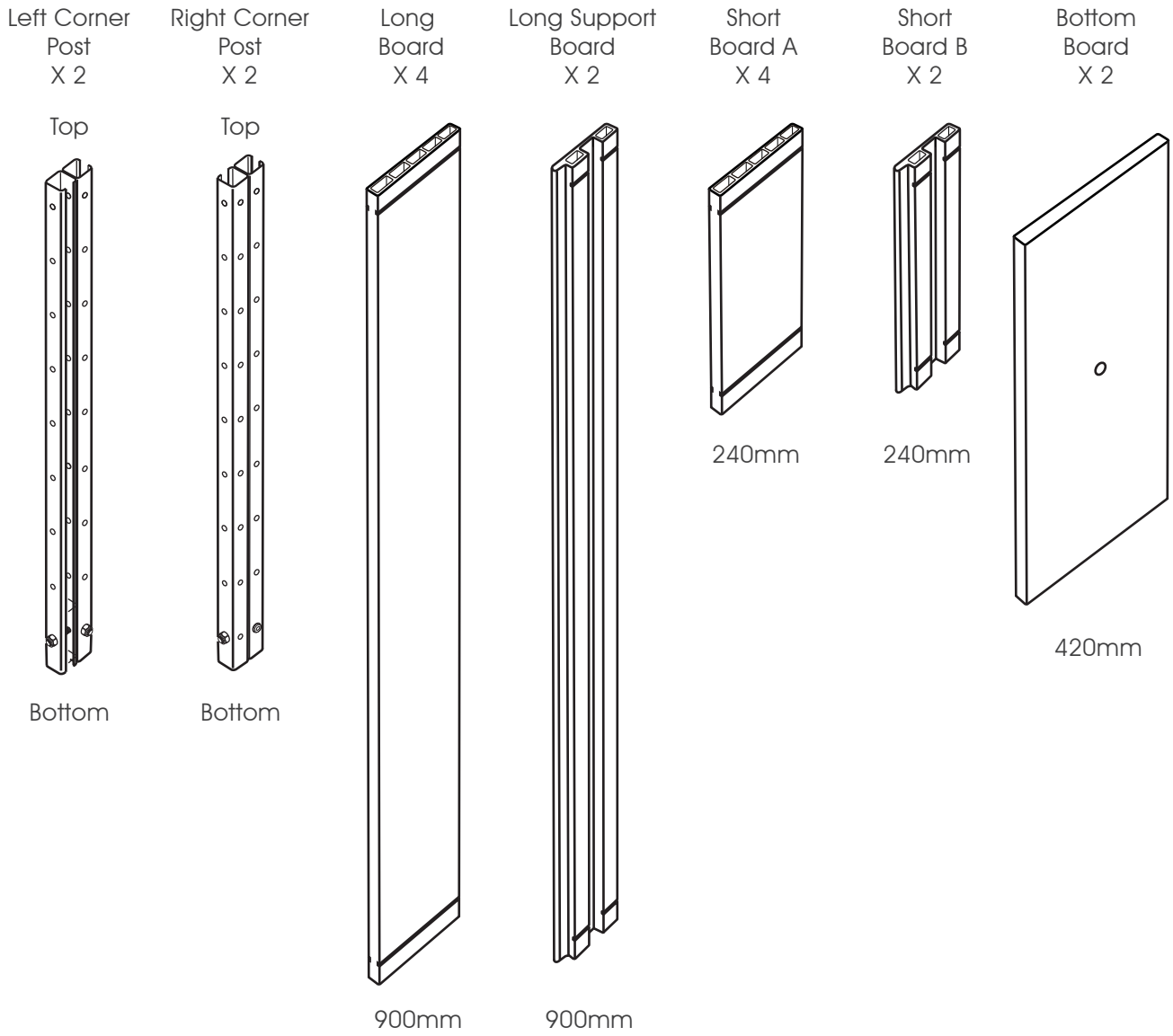
**Everbloom-Garden.com**

Questions or Comments?

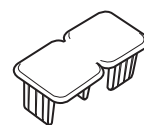
Email us at [service@everbloom-garden.com](mailto:service@everbloom-garden.com)

# Parts List

Deep Trough Planter Box - 36" L x 12" W x 21" H



Post Cap  
X 4



+ 2pc replacement

Garden Bed Liner  
X 1



# Assembly

Deep Trough Planter Box - 36" L x 12" W x 21" H

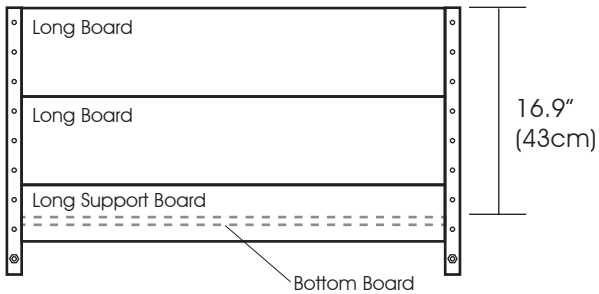
Four depths are available by changing the sequence of the boards and position of the bottom boards, as shown in below images. You can choose according to different needs first.

\* For depth of 16.9" and 10" as shown in Image 1, please refer to steps from page 4.

\* For depth of 14.4" and 7.5" as shown in Image 2, please refer to steps from page 10.

IMAGE 1

Depth 1 - 16.9" from page 4



Depth 2 - 10" from page 4

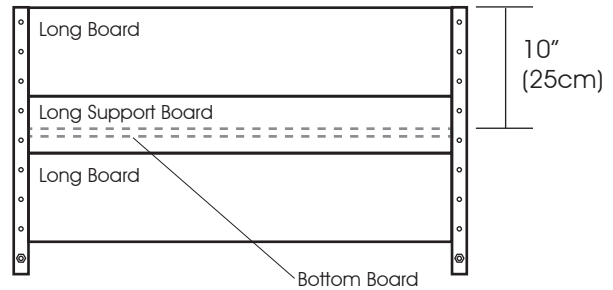
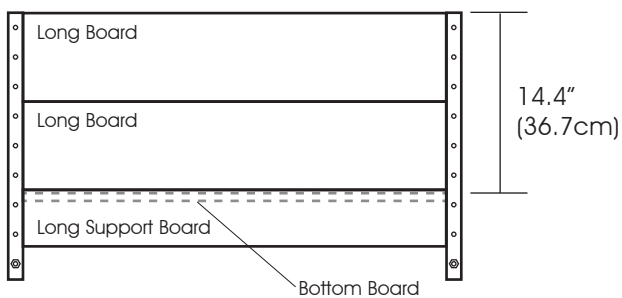
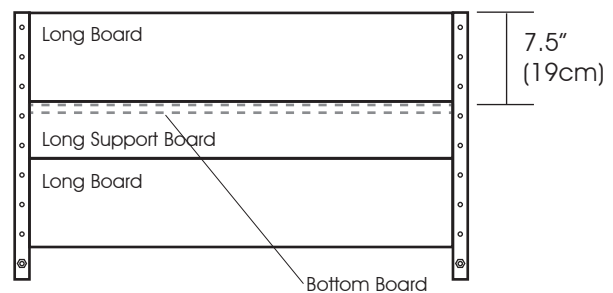


IMAGE 2

Depth 4 - 14.4" from page 10



Depth 5 - 7.3" from page 10



# Assembly

Deep Trough Planter Box - 36" L x 12" W x 21" H

*For the deepest planting depth of 16.9", please follow steps below.*

*For depth of 10", the assembly methods are similar, just pay attention to the sequence of the boards and position of the bottom boards, please refer to page 3.*

Start by making sure each corner post is oriented correctly, as shown in Image 3. Slide one short board B into the corner brackets from above.

Note: The short boards need to be placed in the inward "U" shape of the brackets, as shown in Image 4.

IMAGE 3

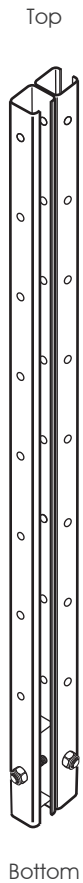
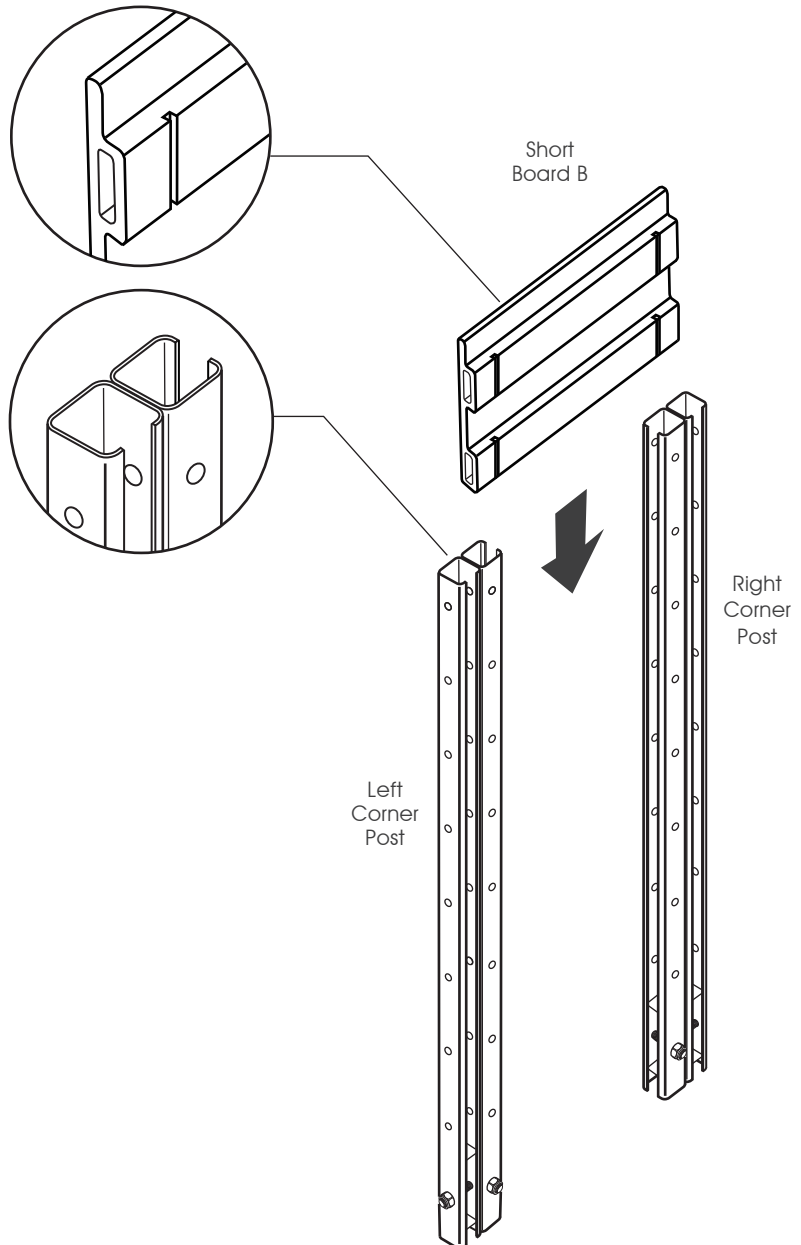


IMAGE 4



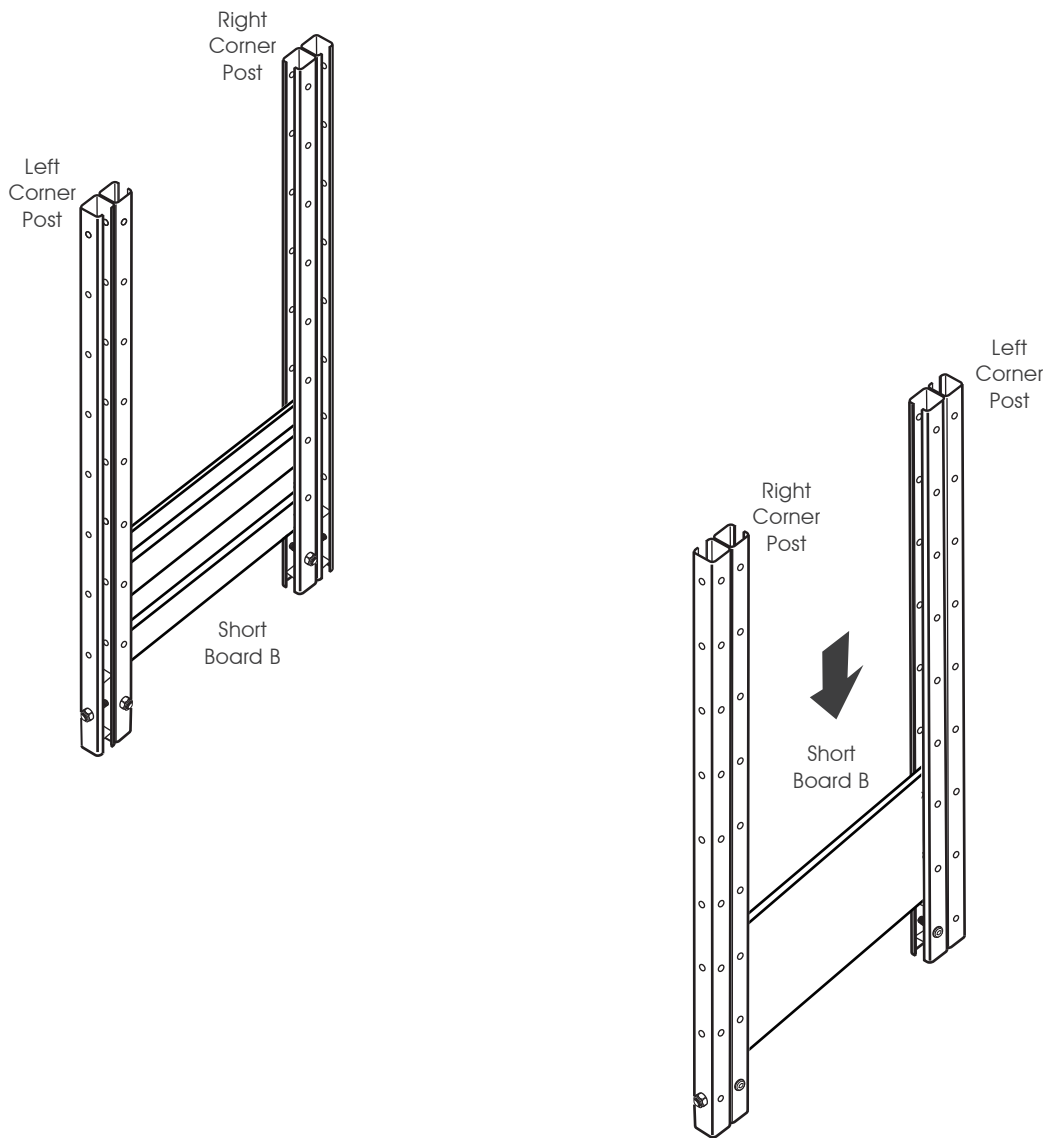
# Assembly

Deep Trough Planter Box - 36" L x 12" W x 21" H

---

Slide another short board B into the other two corner brackets from above, as shown in Image 5.

IMAGE 5

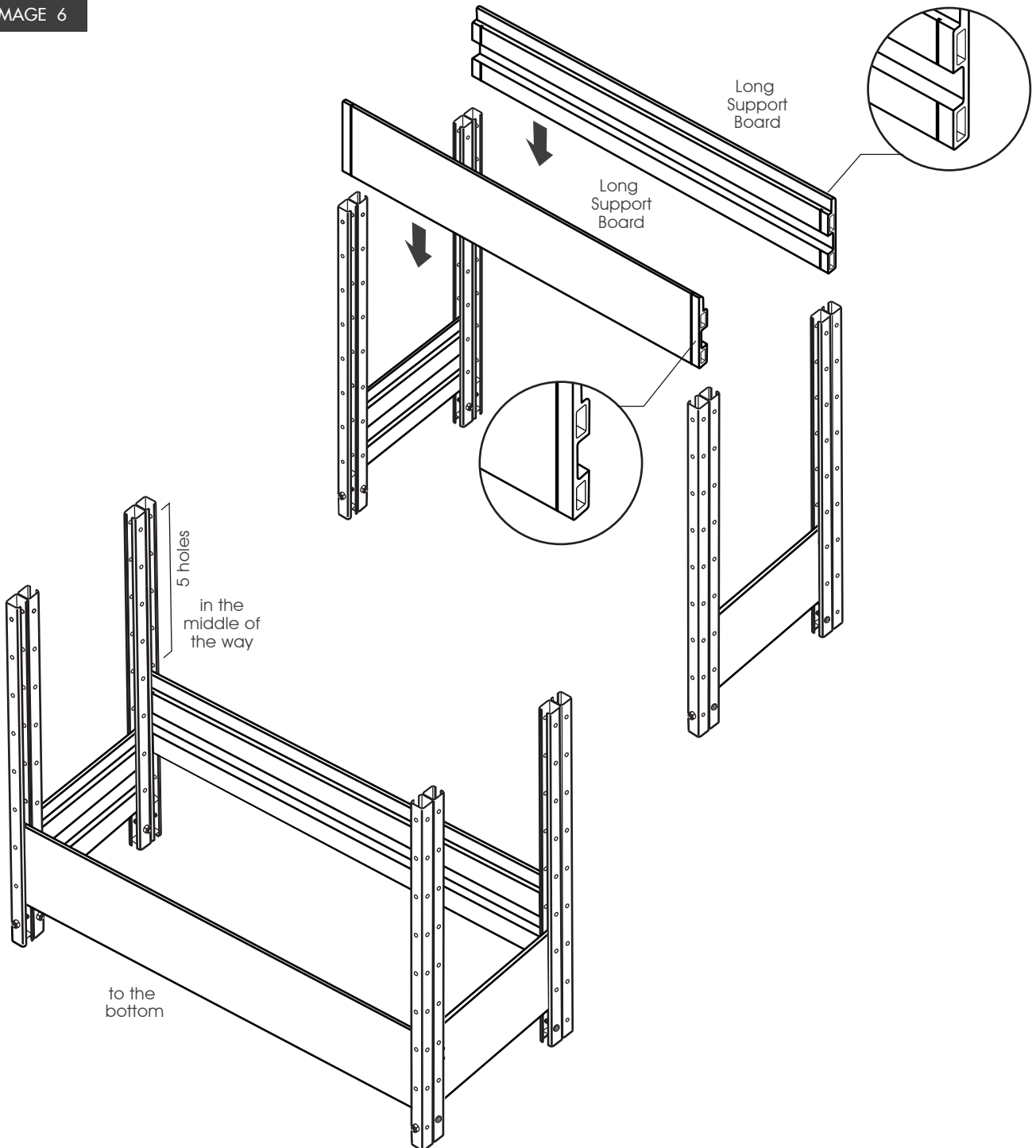


# Assembly

## Deep Trough Planter Box - 36" L x 12" W x 21" H

With the help of another person holding the 2 assembled parts, slide the 2 long supporting boards into the brackets from above. Make sure that one support board goes straight to the bottom, while the other one stays in the middle of the way (don't push it to the bottom), with the top edge between the 5th and 6th holes of the post.

IMAGE 6

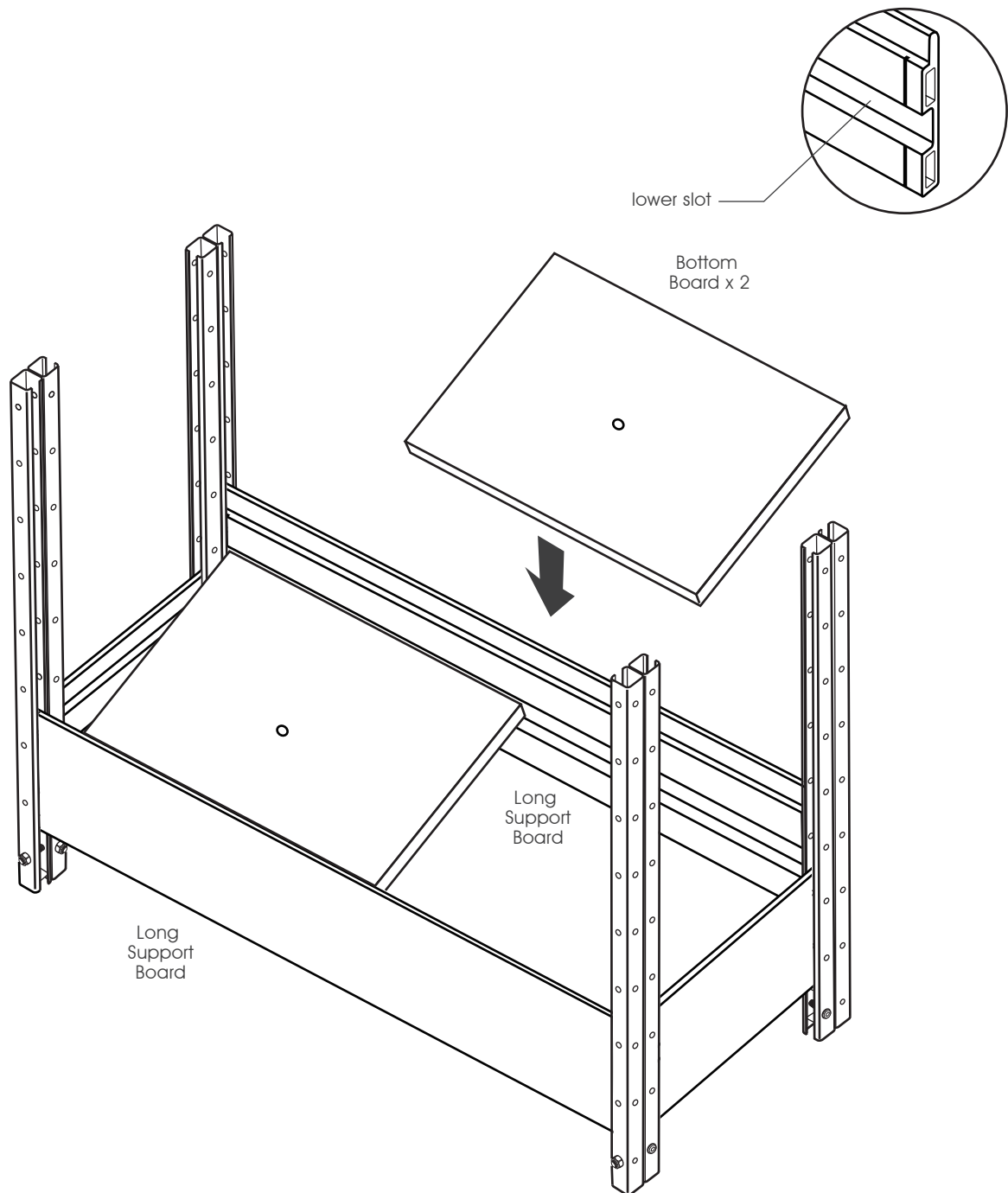


# Assembly

Deep Trough Planter Box - 36" L x 12" W x 21" H

Put the bottom boards on lower slots of long support boards. Make sure the 2 ends of these bottom boards go into the lower slots and rest in them with enough contact as shown in Image 7. Adjust the height of the higher long support board slightly to hold these bottom boards if necessary.

IMAGE 7



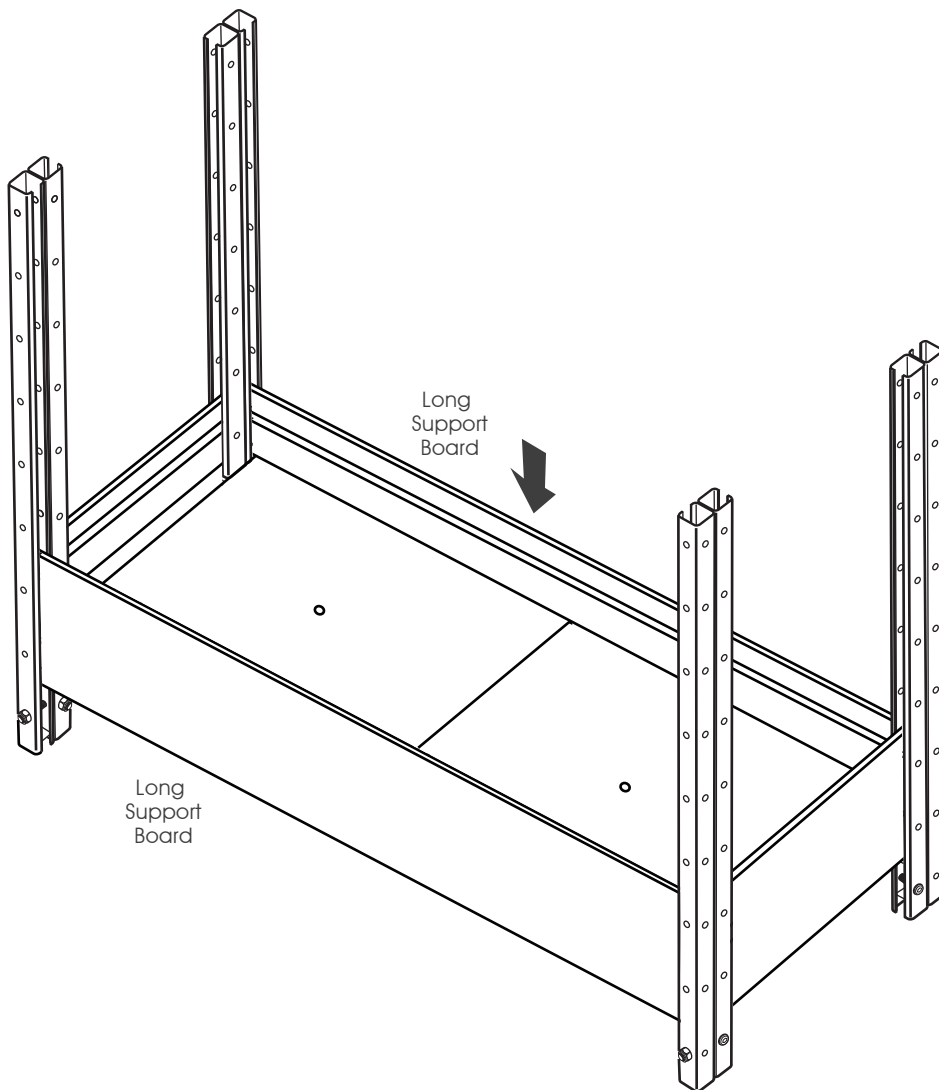
# Assembly

Deep Trough Planter Box - 36" L x 12" W x 21" H

---

Push down the higher long support board to the bottom, as shown in Image 8.

IMAGE 8





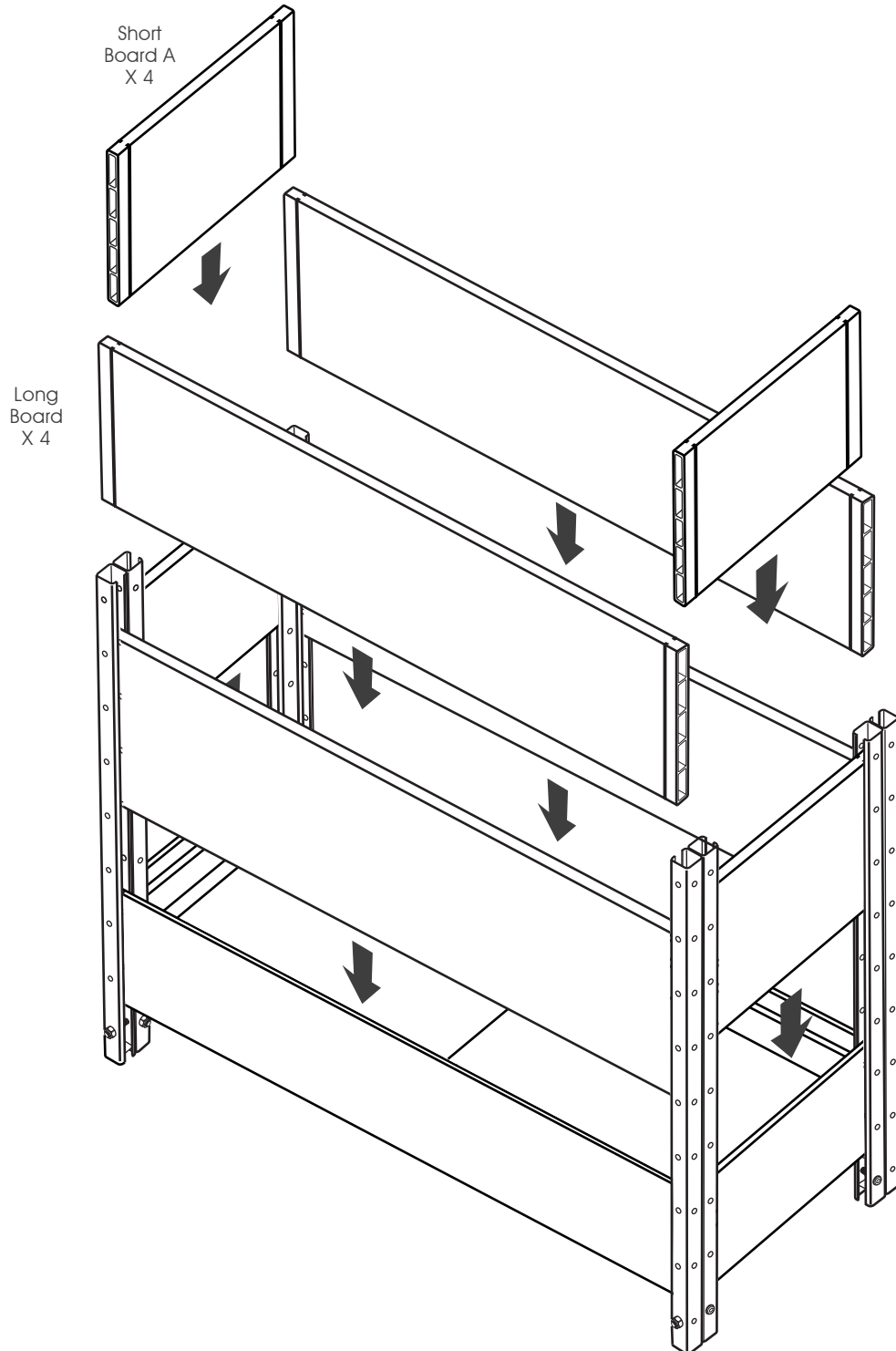
# Assembly

## Deep Trough Planter Box - 36" L x 12" W x 21" H

Slide the remaining boards into place, as shown in Image 9. Now you get an trough planter box with 16.9" planting depth. Then, go to page 15, and follow the steps afterwards.

Note: If you want to add trellis kit onto this bed, please assemble the extension connectors **before** this step, to avoid disassembling the boards later.

IMAGE 9



# Assembly

Deep Trough Planter Box - 36" L x 12" W x 21" H

*For the planting depth of 14.4", please follow steps below.*

*For depth of 7.5", the assembly methods are similar, just pay attention to the sequence of the boards and position of the bottom boards, please refer to page 3.*

Start by making sure each corner post is oriented correctly, as shown in Image 3a. Slide one short board B into the corner brackets from above.

Note: The short boards need to be placed in the inward "U" shape of the brackets, as shown in Image 4a.

IMAGE 3a

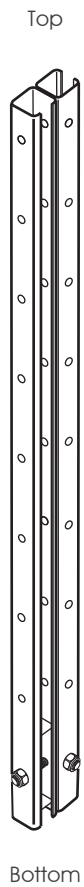
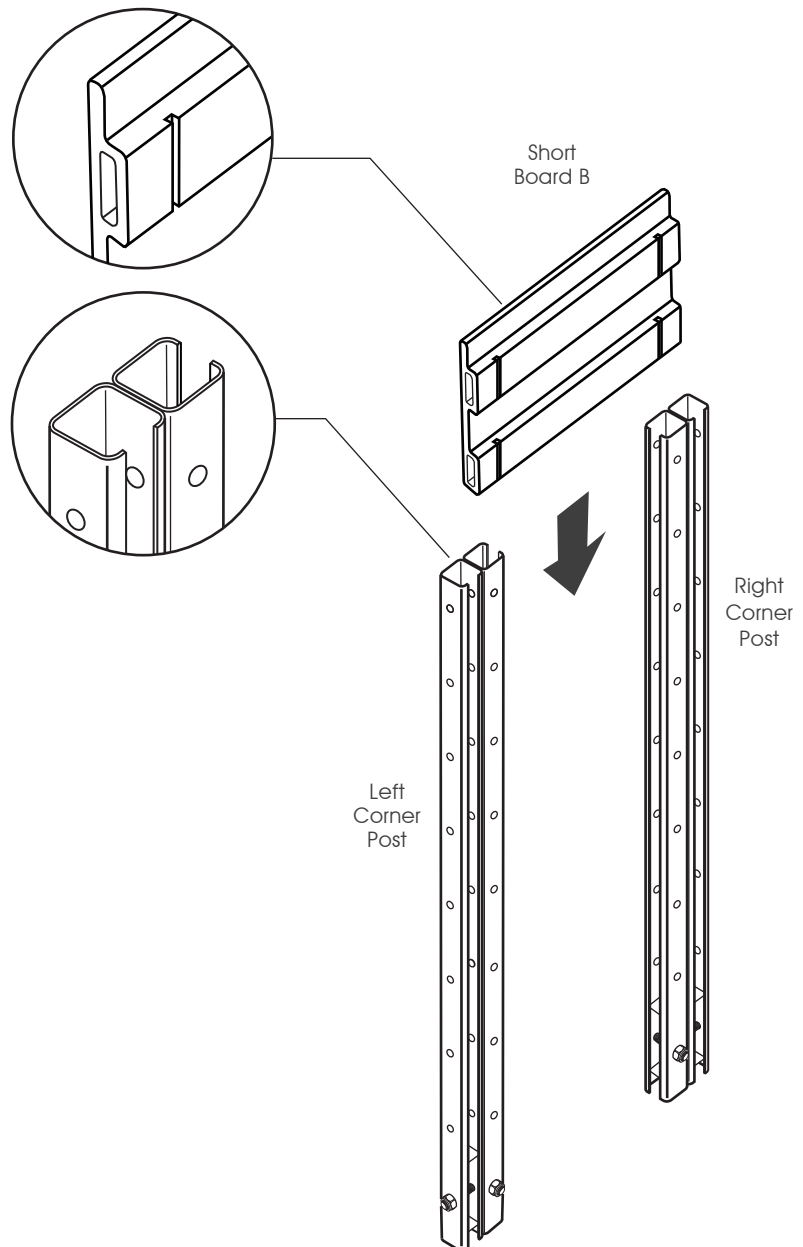


IMAGE 4a



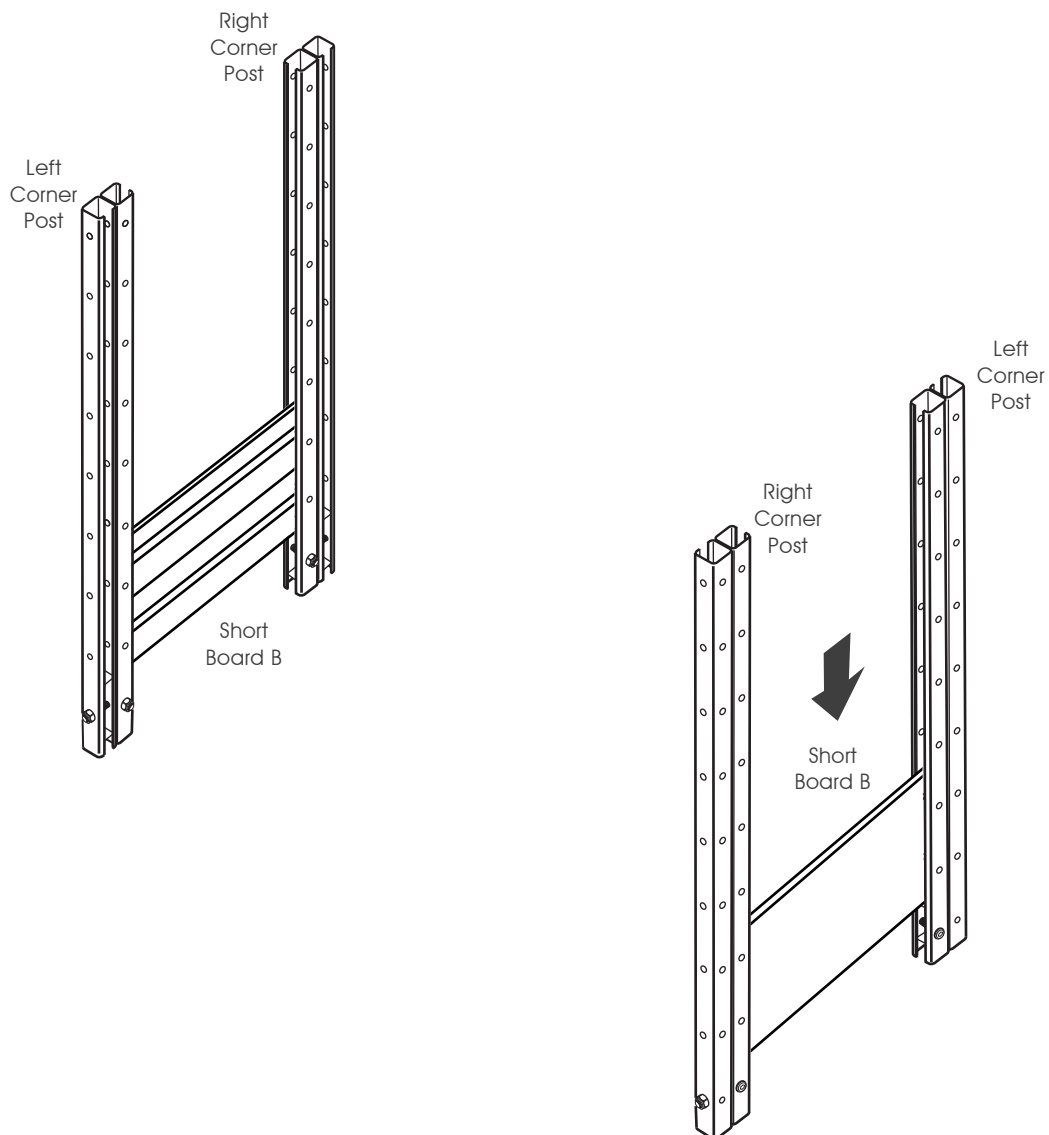
# Assembly

Deep Trough Planter Box - 36" L x 12" W x 21" H

---

Slide another short board B into the other two corner brackets from above, as shown in Image 5a.

IMAGE 5a

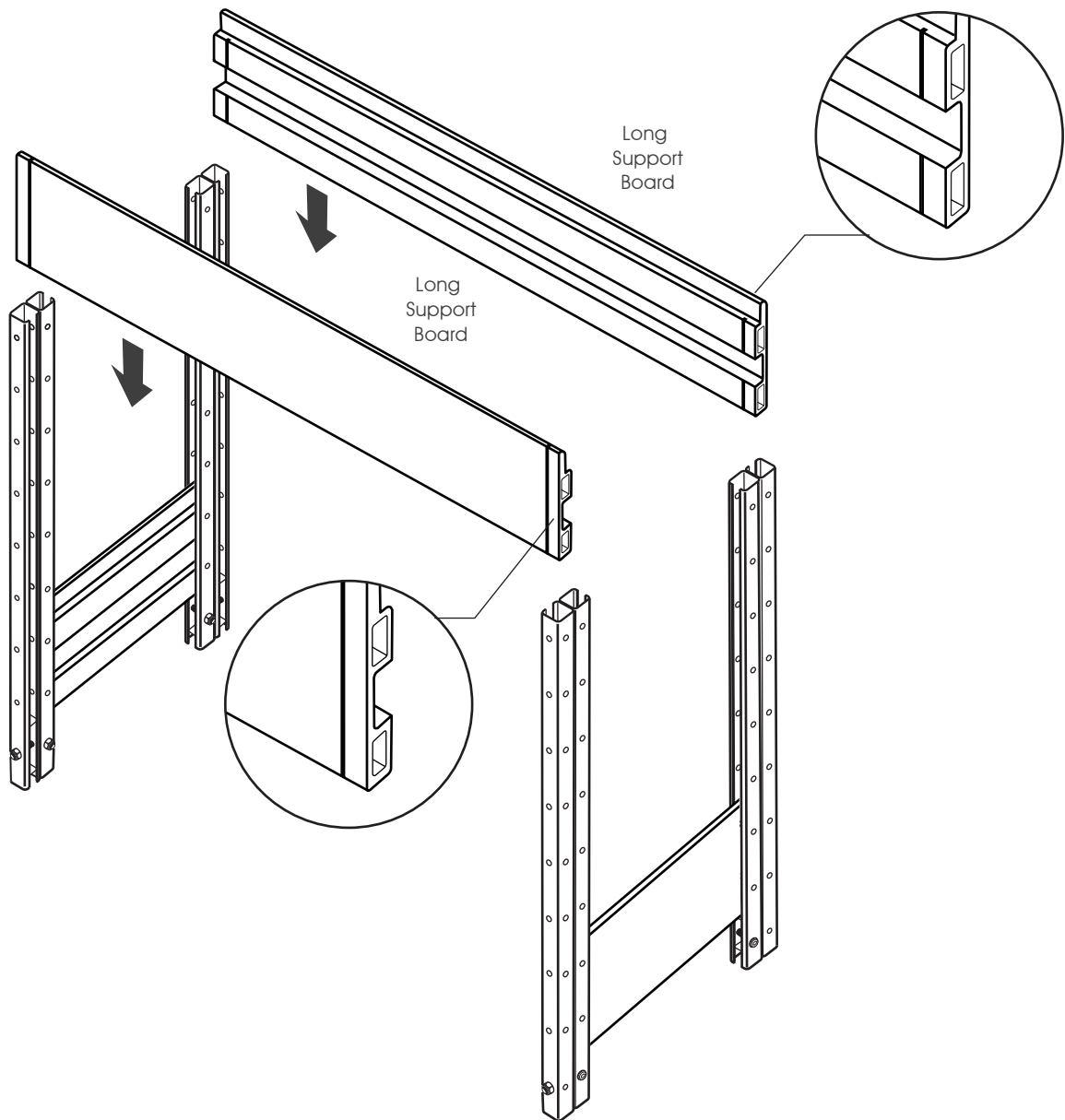


# Assembly

Deep Trough Planter Box - 36" L x 12" W x 21" H

With the help of another person holding the 2 assembled parts, slide the 2 long support boards into the brackets from above to the bottom, as shown in Image 6a.

IMAGE 6a



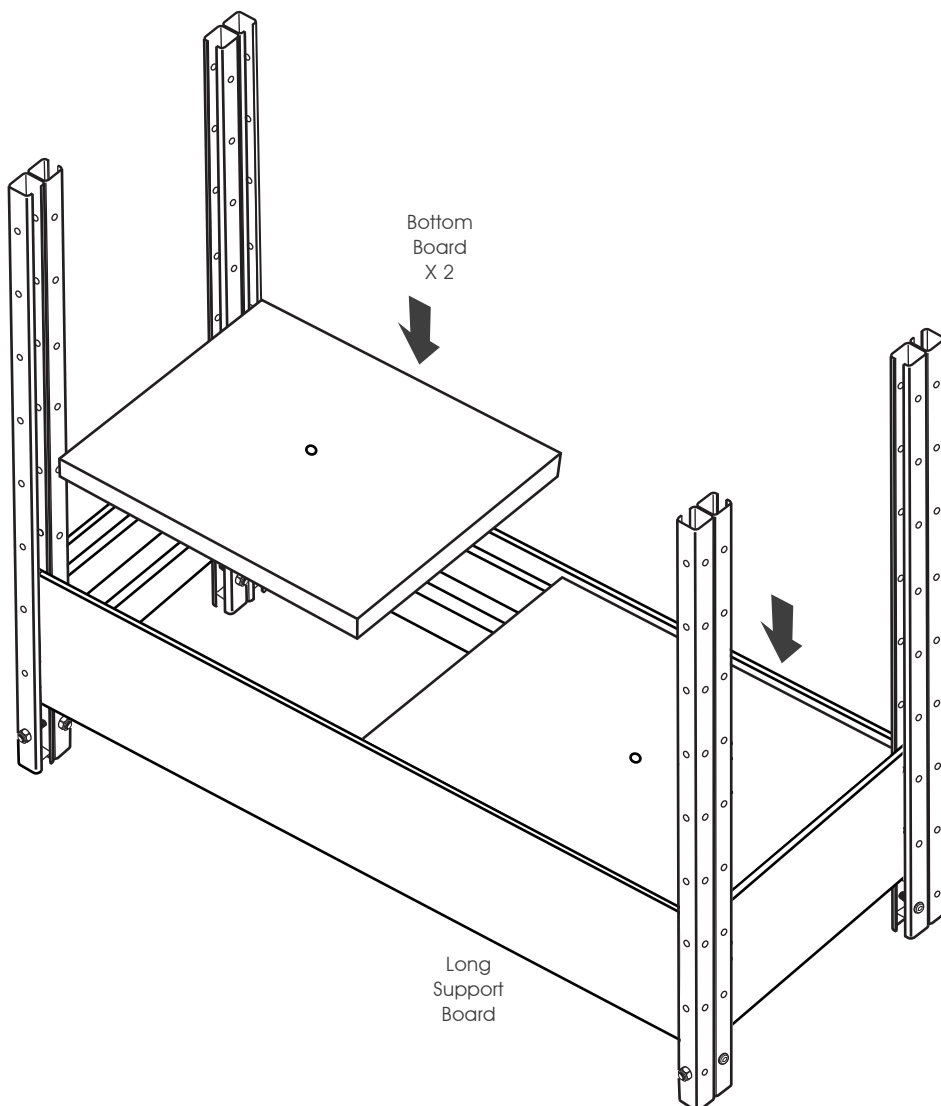
# Assembly

Deep Trough Planter Box - 36" L x 12" W x 21" H

---

Put the bottom boards on the long support boards, as shown in Image 7a.

IMAGE 7a



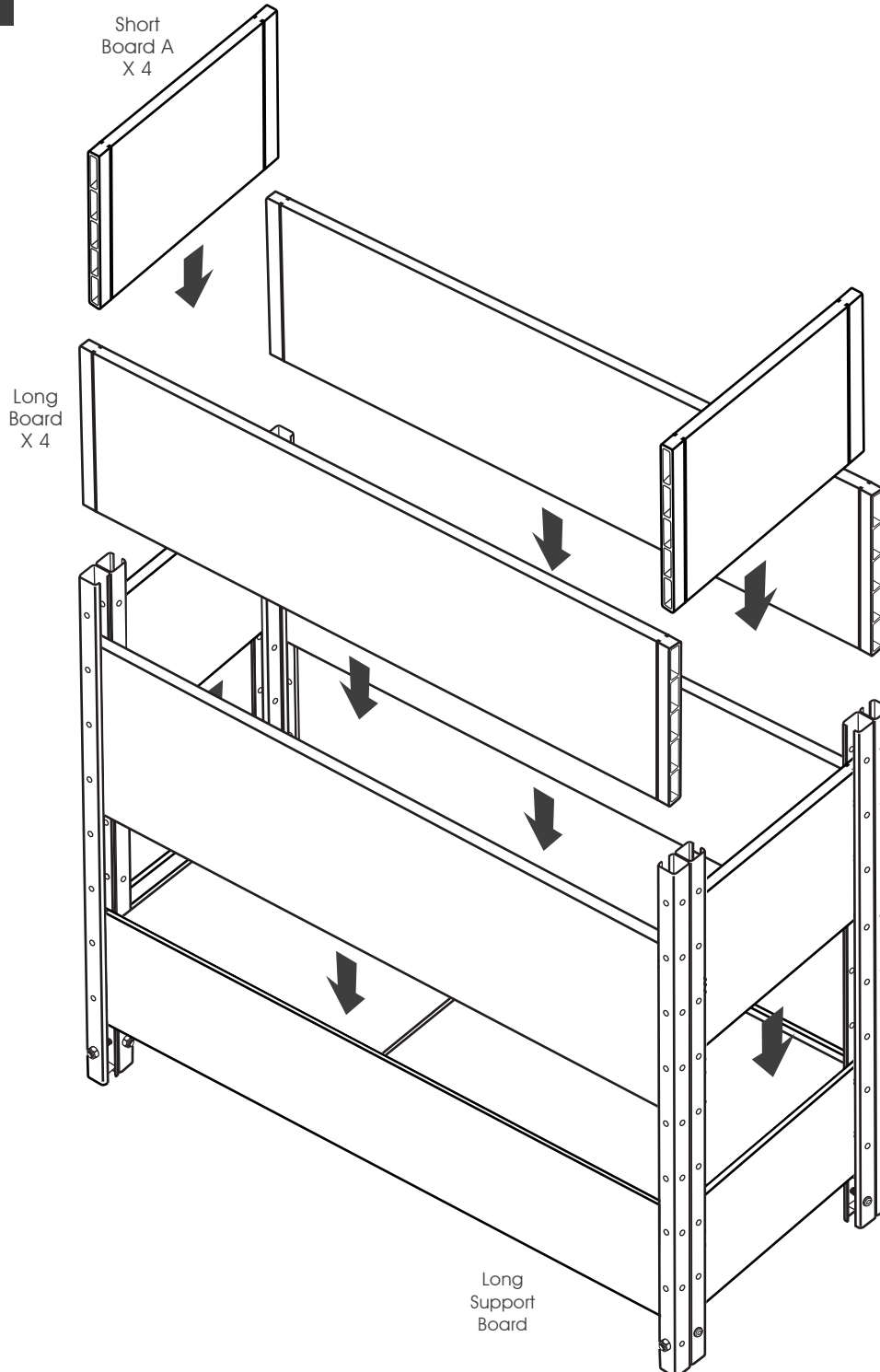
# Assembly

## Deep Trough Planter Box - 36" L x 12" W x 21" H

Slide the remaining boards into place, as shown in Image 8a. Now you get an trough planter box with 14.4" planting depth. Then, go to page 15, and follow the steps afterwards.

Note: If you want to add trellis kit onto this bed, please assemble the extension connectors **before** this step, to avoid disassembling the boards later.

IMAGE 8a

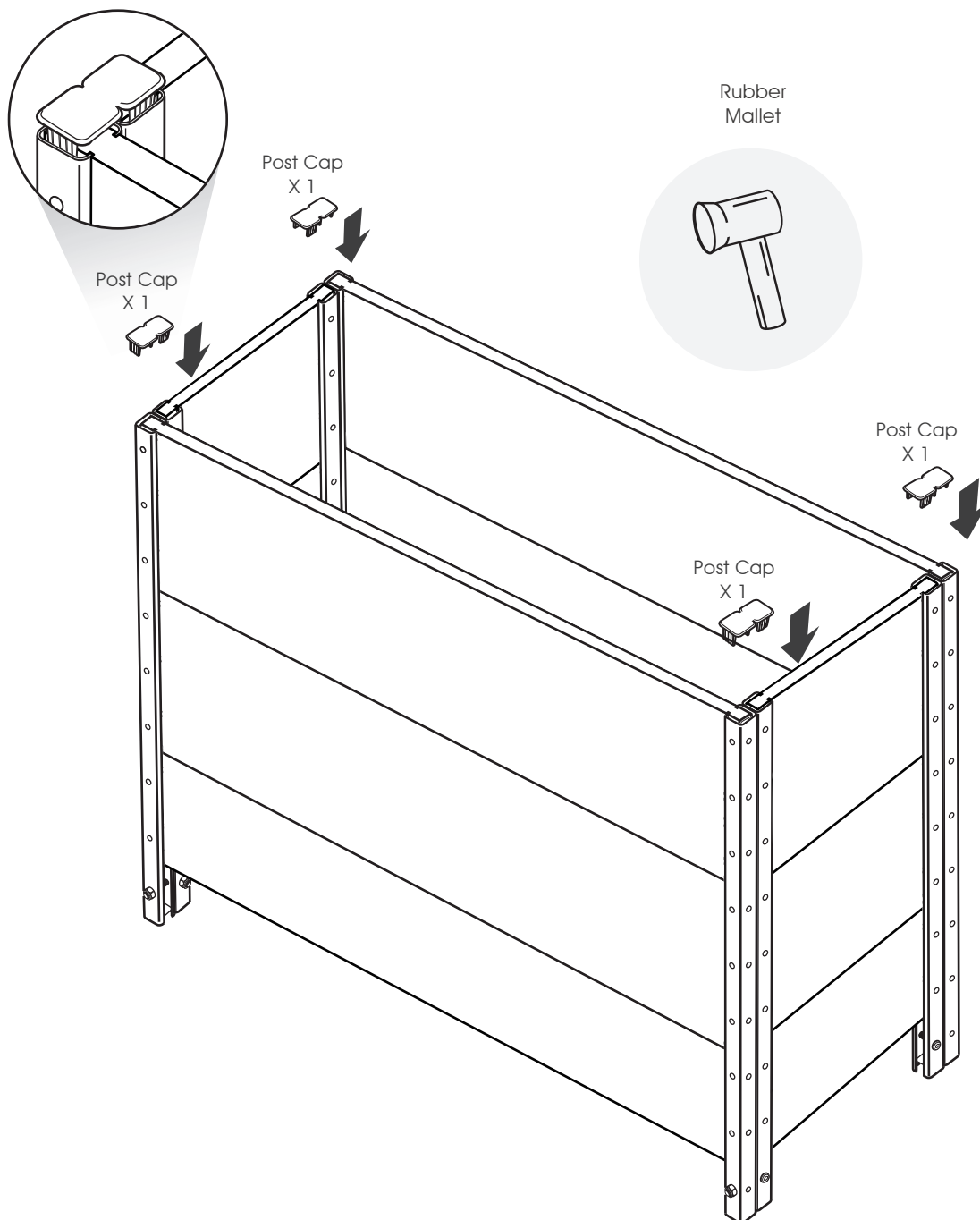


# Assembly

## Deep Trough Planter Box - 36" L x 12" W x 21" H

If necessary, use your rubber mallet to ensure the boards are tightly in place. Cover the brackets with the 4 end caps, as shown in Image 10.

IMAGE 10



# Assembly

Deep Trough Planter Box - 36" L x 12" W x 21" H

---

Unfold the liner and cover the bottom of the Planter Box, as shown in Image 11 and Image 12.

IMAGE 11

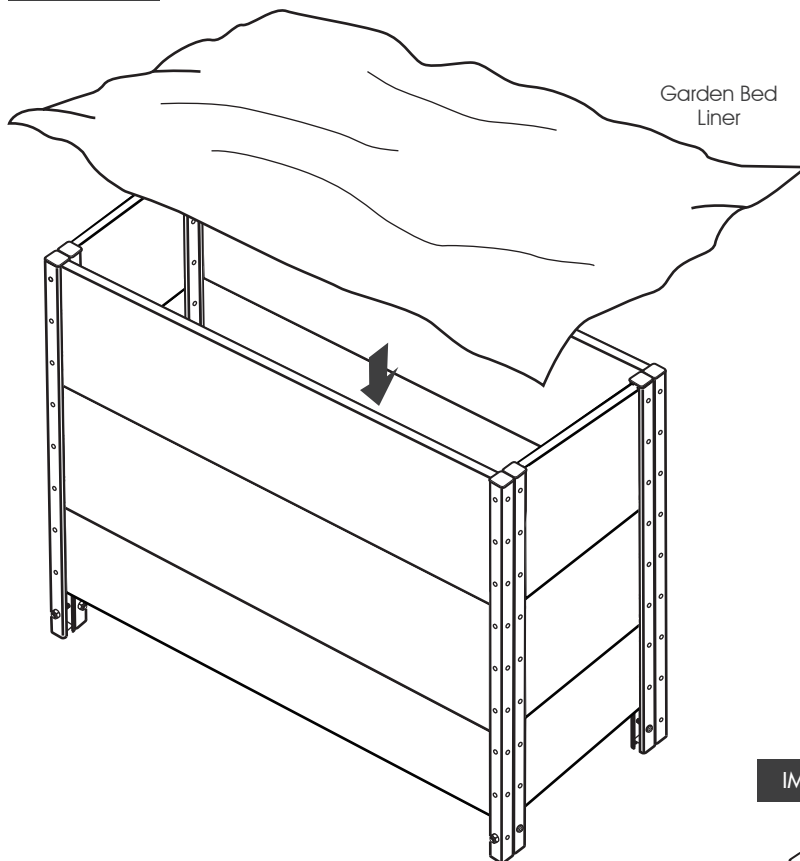
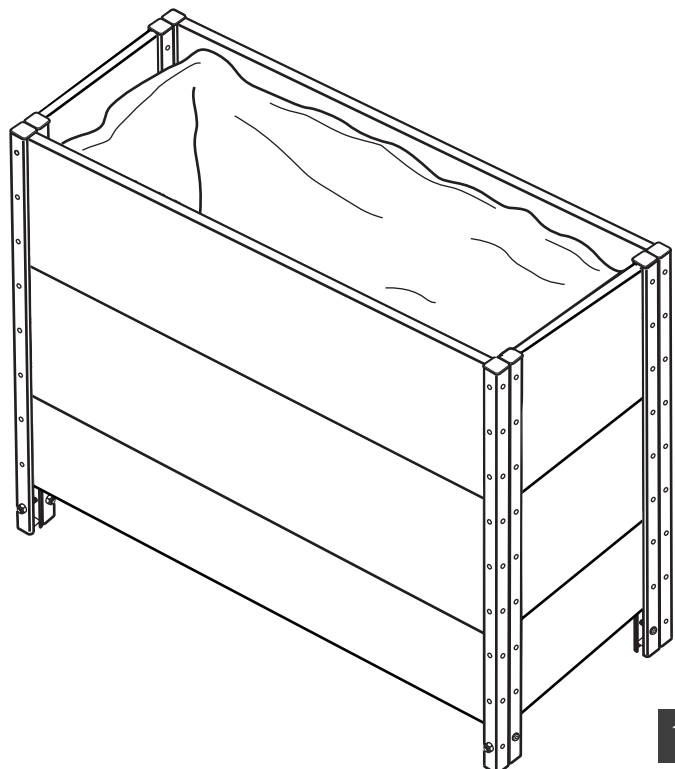


IMAGE 12





# Note

Deep Trough Planter Box - 36" L x 12" W x 21" H

---

Sometimes there might be a misalignment of the Corner Posts as shown in Image 13 and Image 14, which may result in difficulty of sliding boards into the brackets. Please adjust them to the right position so that they are parallel to each other, and perpendicular to the ground.

IMAGE 13

Assembling Problem 1

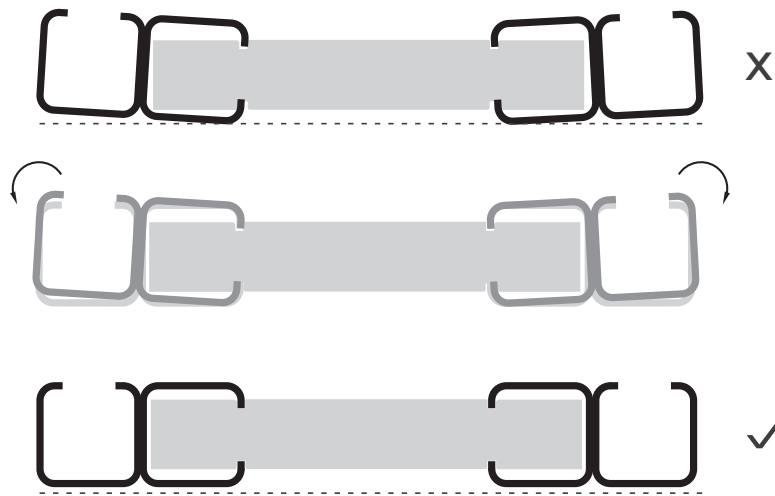
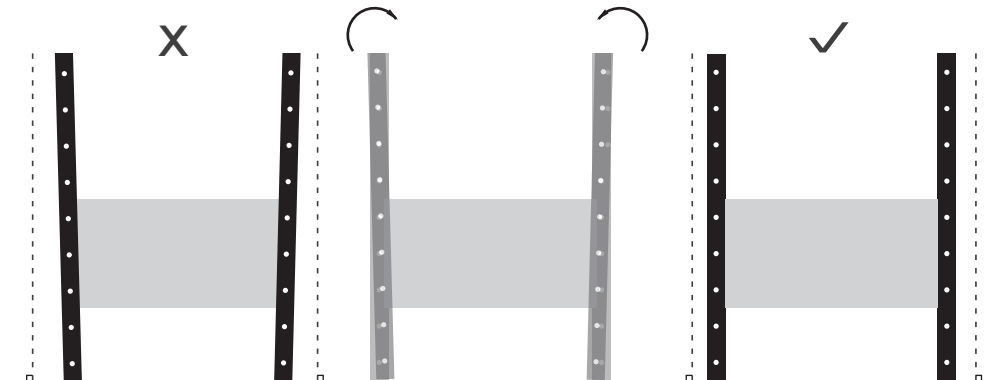


IMAGE 14

Assembling Problem 2



# Bloom On.

**Everbloom-Garden.com**

US Patent Pending

★ Subscribe at [www.everbloom-garden.com](http://www.everbloom-garden.com) for  
extra savings and upgrading information!

Distributed by:  
Dynaforge Trading LLC  
St. Paul, MN55101  
Email: [service@everbloom-garden.com](mailto:service@everbloom-garden.com)