



Planter Box Cornerstone

Installation Guide

Thank You!

You're only a few steps away from your perfect vegetable garden or elevated planter. We hope you enjoy!

Model# E211719 / E211719G
Dimensions 17" L x 19" W x 21" H

Before You Start

Please read the instructions carefully to familiarize yourself with every detail and step involved. Keep this manual for future reference. Find a suitable space to assemble your new Planter Box.

You need at least 18" x 20" (46 x 51cm) for the finished product. A flat and firm area (like a garage floor or flat yard space) is perfect! The only tool you may need is a rubber mallet.

Important Notes

Small parts are included; we advise you to keep them away from children and pets.

We also suggest having another person help you assemble. Maximum Load Capacity: approximately 4 cu. ft. of soil

★ **Subscribe at www.everbloom-garden.com for extra savings and upgrading information!**



Everbloom-Garden.com

Questions or Comments?

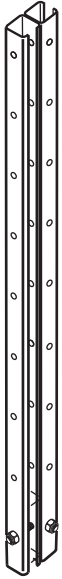
Email us at service@everbloom-garden.com

Parts List

Planter Box Cornerstone - 17" L x 19" W x 21" H

Left Corner
Post
X 2

Top



Bottom

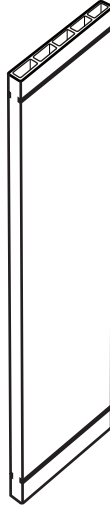
Right Corner
Post
X 2

Top



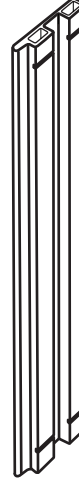
Bottom

Short
Board A
X 8



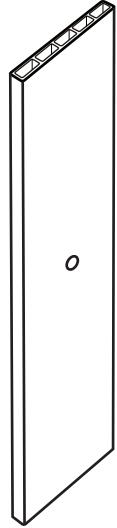
420mm

Short
Board B
X 4



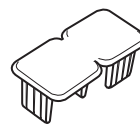
420mm

Bottom
Board
X 2



460mm

Post Cap
X 4



+ 2pc
replacement

Garden Bed
Liner
X 1



Assembly

Planter Box Cornerstone - 17" L x 19" W x 21" H

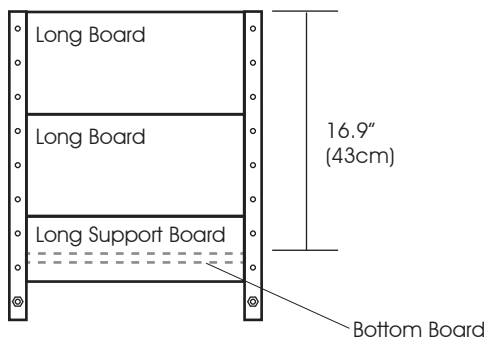
Four depths are available by changing the sequence of the boards and position of the bottom boards, as shown in below images. You can choose according to different needs first.

* For depth of 16.9" and 10" as shown in Image 1, please refer to steps from page 4.

* For depth of 14.4" and 7.5" as shown in Image 2, please refer to steps from page 10.

IMAGE 1

Depth 1 - 16.9" from page 4



Depth 2 - 10" from page 4

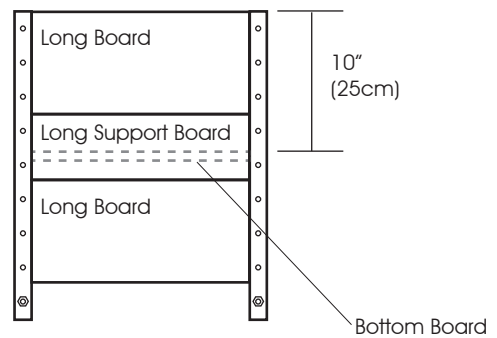
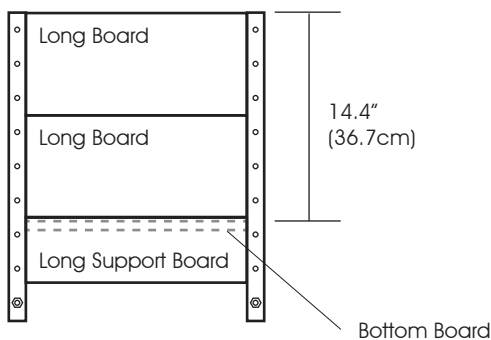
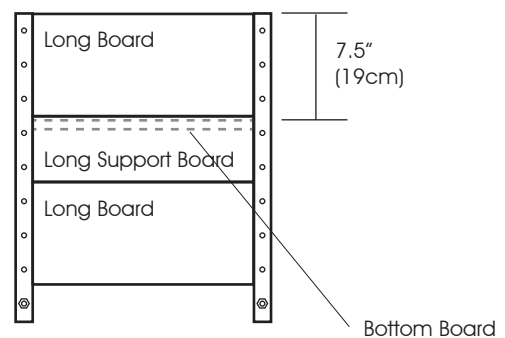


IMAGE 2

Depth 4 - 14.4" from page 10



Depth 5 - 7.3" from page 10



Assembly

Planter Box Cornerstone - 17" L x 19" W x 21" H

For the deepest planting depth of 16.9", please follow steps below.

For depth of 10", the assembly methods are similar, just pay attention to the sequence of the boards and position of the bottom boards, please refer to page 3.

Start by making sure each corner post is oriented correctly, as shown in Image 3. Slide one short board B into the corner brackets from above.

Note: The short boards need to be placed in the inward "U" shape of the brackets, as shown in Image 4.

IMAGE 3

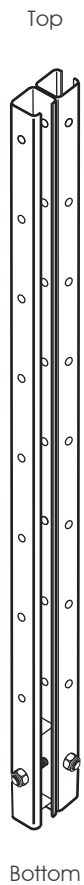
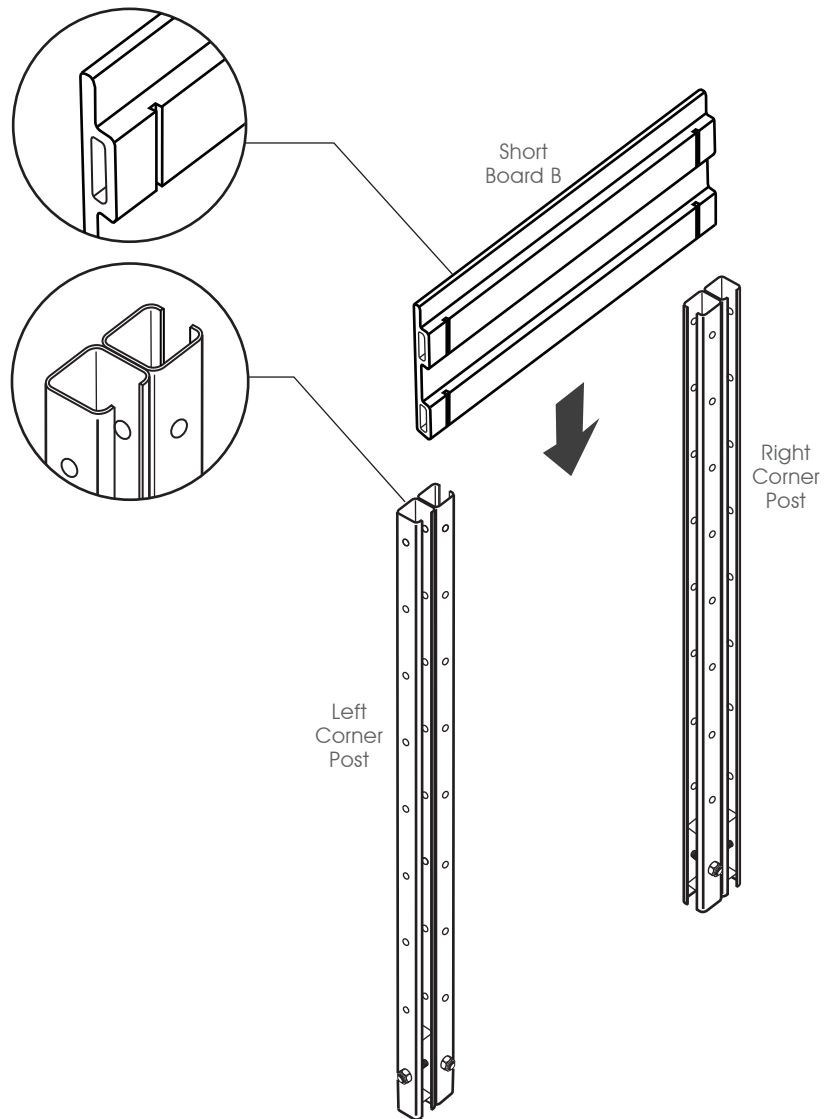


IMAGE 4

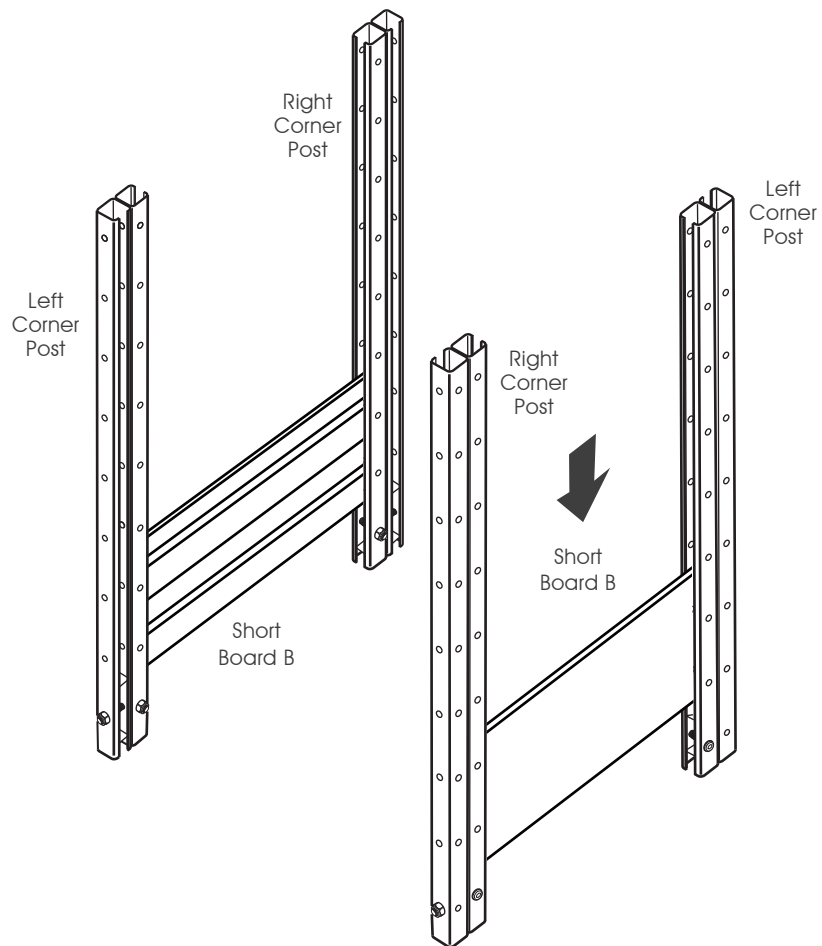


Assembly

Planter Box Cornerstone - 17" L x 19" W x 21" H

Slide another short board B into the other two corner brackets from above, as shown in Image 5.

IMAGE 5

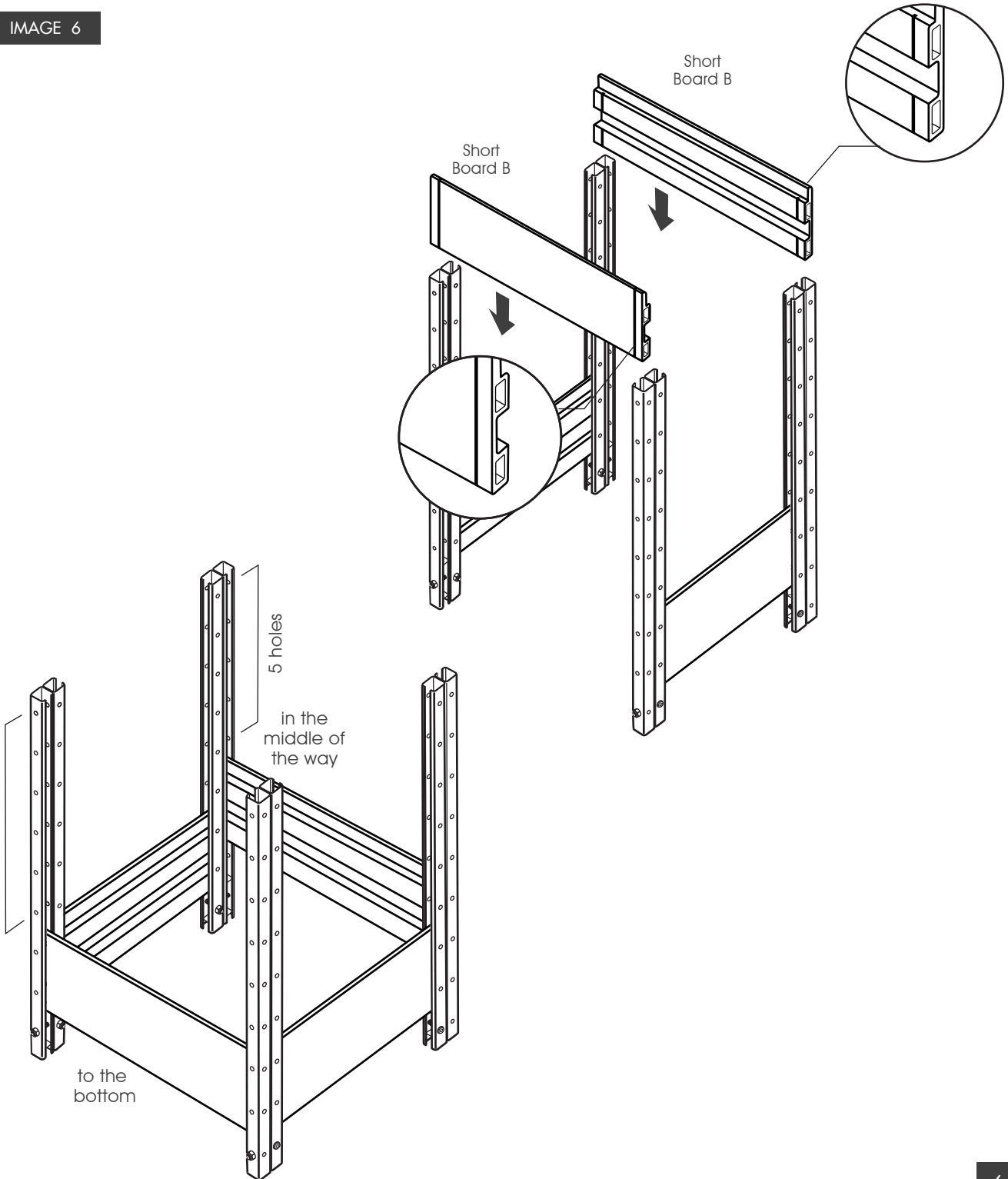


Assembly

Planter Box Cornerstone - 17" L x 19" W x 21" H

With the help of another person holding the 2 assembled parts, slide another short boards B into the brackets from above. Make sure that one board goes straight to the bottom, while the other one stays in the middle of the way (don't push it to the bottom), with the top edge between the 5th and 6th holes of the post.

IMAGE 6

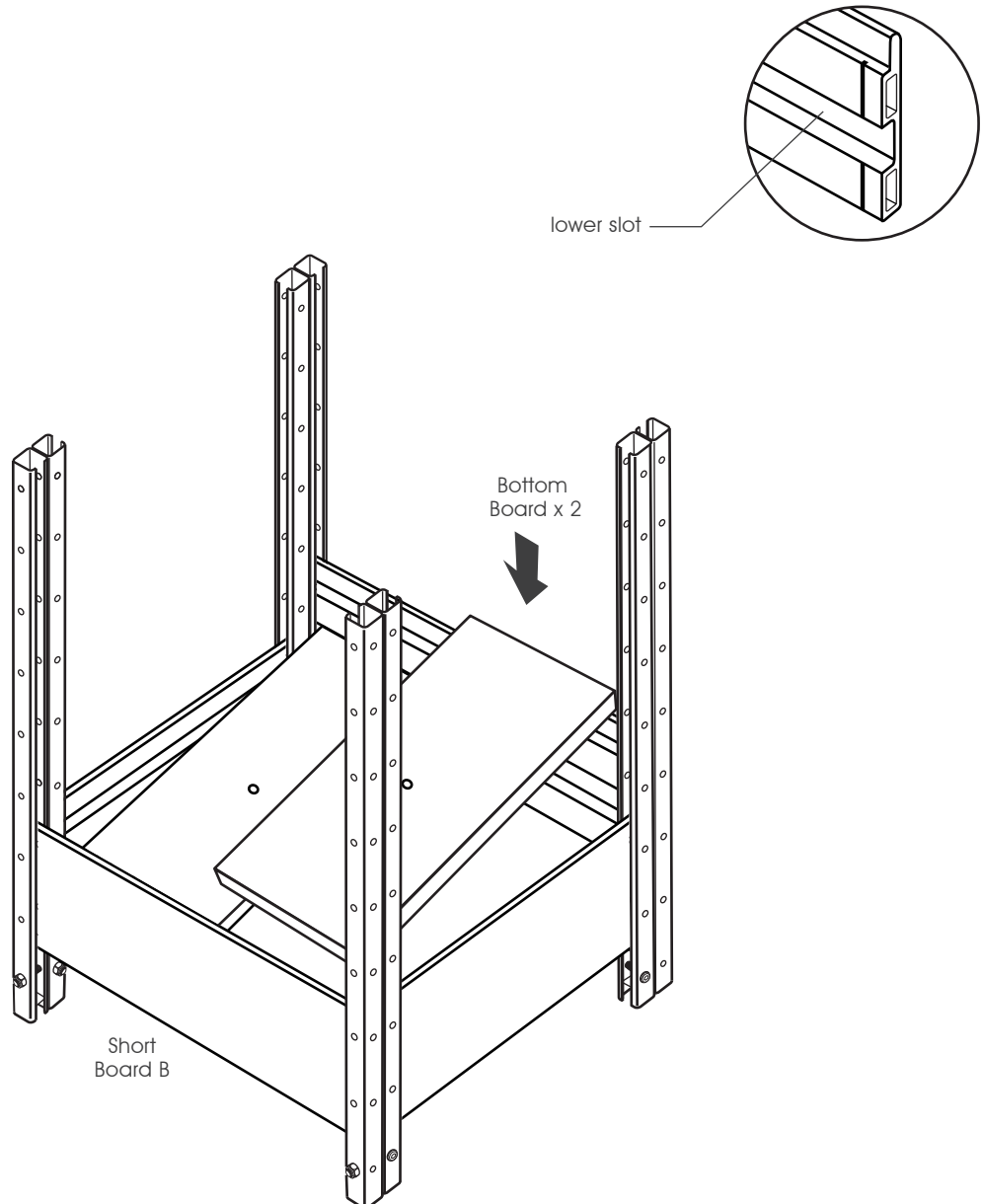


Assembly

Planter Box Cornerstone - 17" L x 19" W x 21" H

Put the bottom boards on lower slots of short boards B. Make sure the 2 ends of these bottom boards go into the lower slots and rest in them with enough contact as shown in Image 7. Adjust the height of the higher short board B slightly to hold these bottom boards if necessary.

IMAGE 7

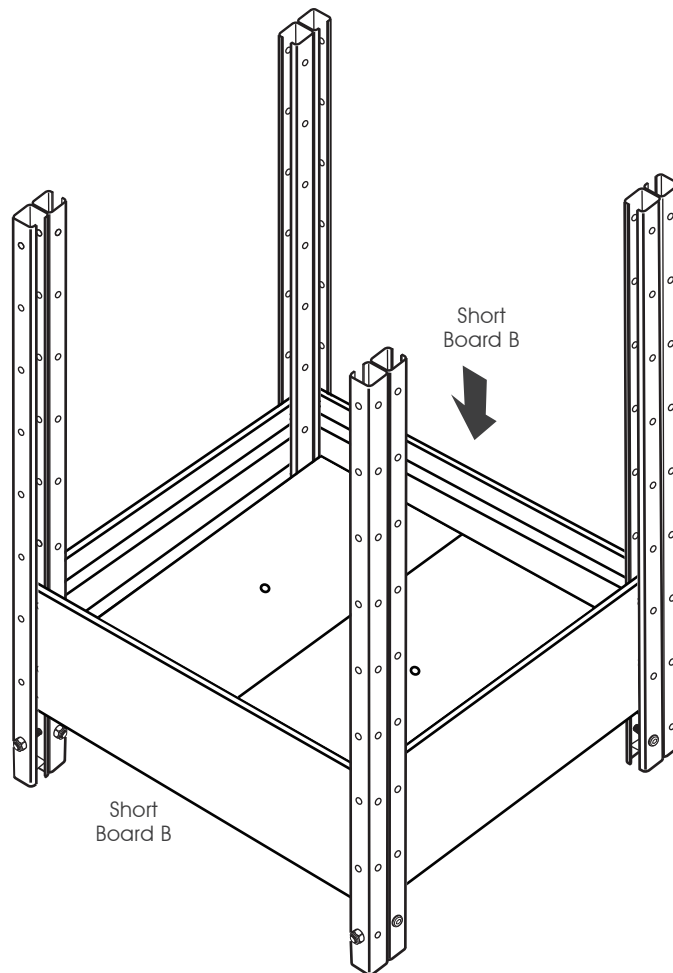


Assembly

Planter Box Cornerstone - 17" L x 19" W x 21" H

Push down the higher short board B to the bottom, as shown in Image 8.

IMAGE 8



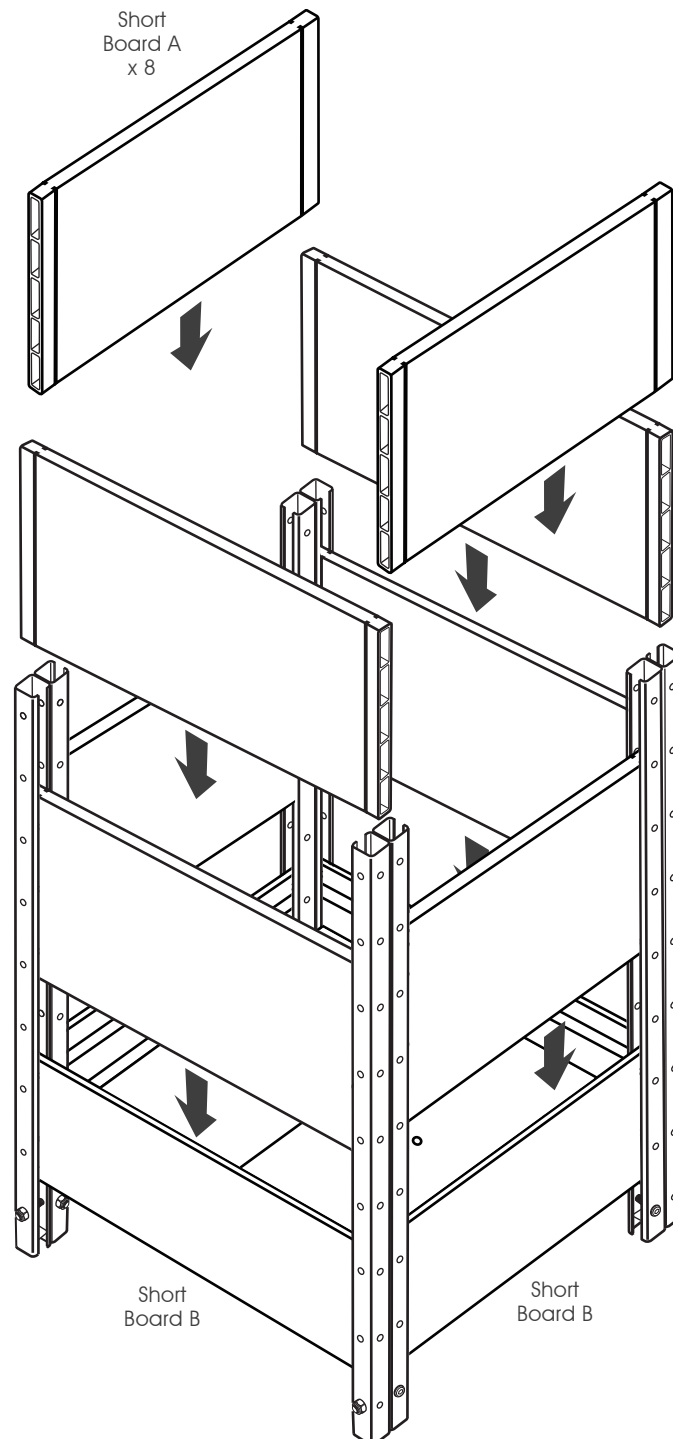
Assembly

Elevated Planter Box - 17" L x 19" W x 28" H

Slide the remaining boards into place, as shown in Image 9. Now you get an planter box cornerstone with 10" planting depth. Then, go to page 15, and follow the steps afterwards.

Note: If you want to add trellis kit onto this bed, please assemble the extension connectors **before** this step, to avoid disassembling the boards later.

IMAGE 9



Assembly

Planter Box Cornerstone - 17" L x 19" W x 21" H

For the planting depth of 14.4", please follow steps below.

For depth of 7.5", the assembly methods are similar, just pay attention to the sequence of the boards and position of the bottom boards, please refer to page 3.

Start by making sure each corner post is oriented correctly, as shown in Image 3a. Slide one short board B into the corner brackets from above.

Note: The short boards need to be placed in the inward "U" shape of the brackets, as shown in Image 4a.

IMAGE 3a

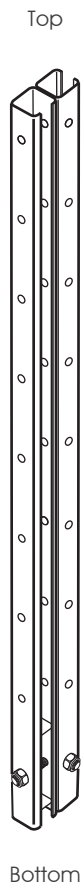
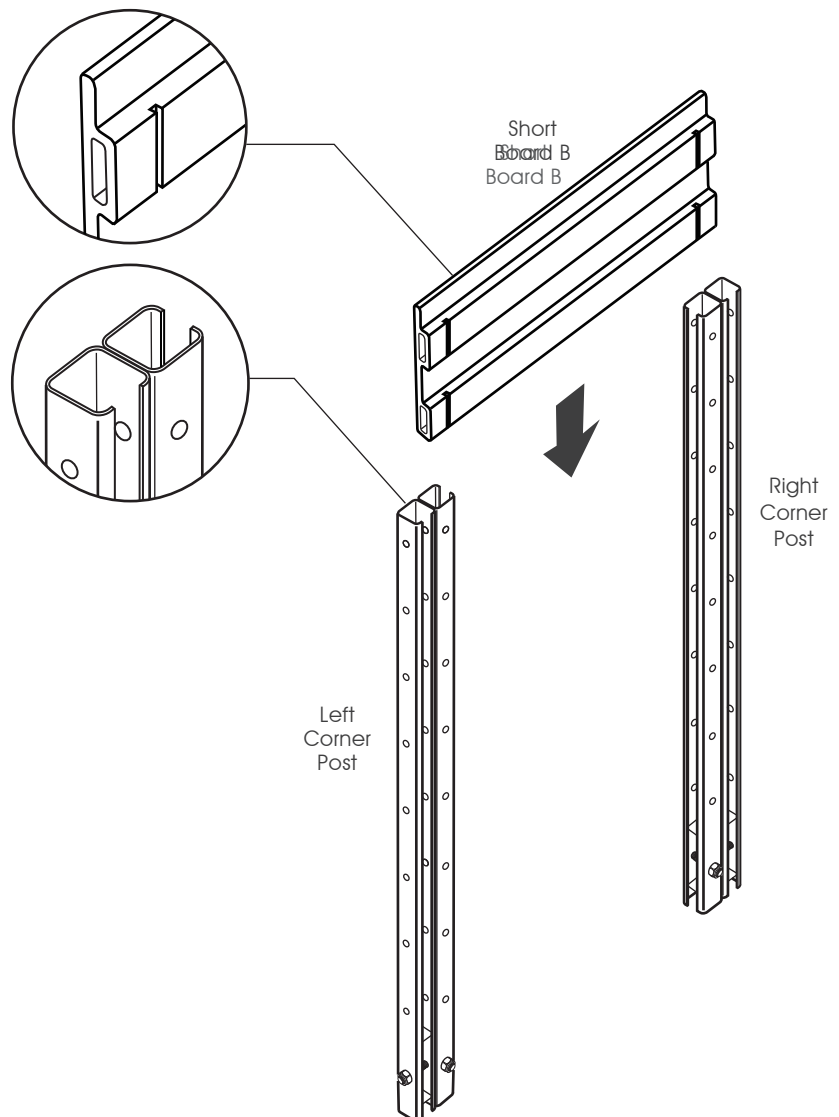


IMAGE 4a

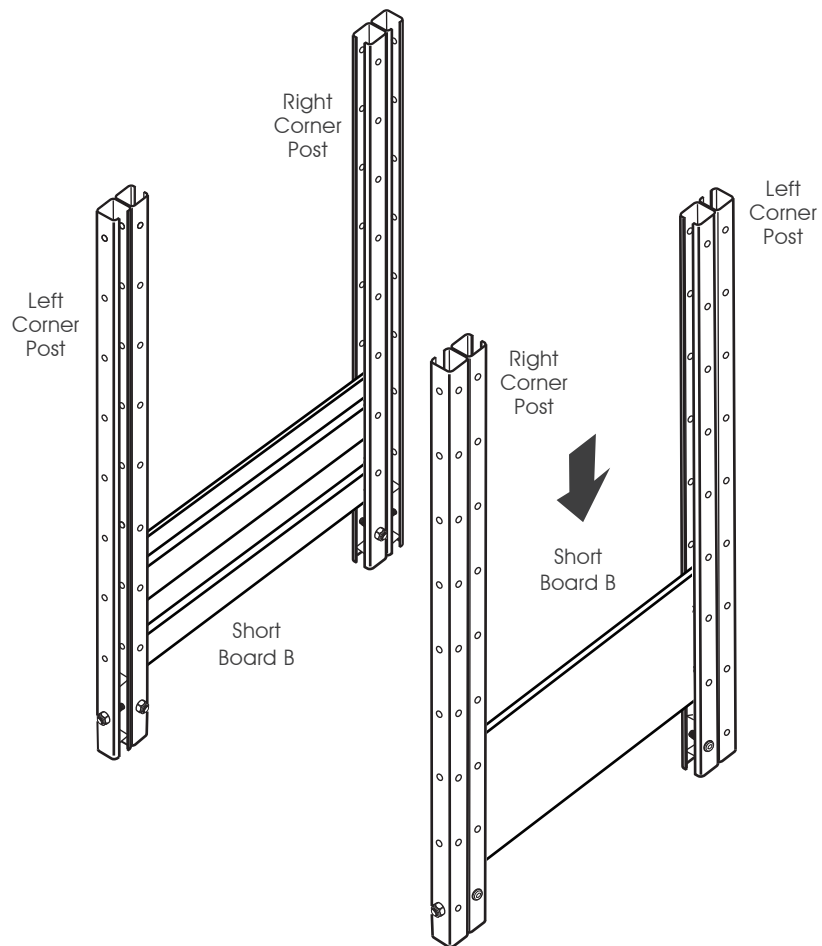


Assembly

Planter Box Cornerstone - 17" L x 19" W x 21" H

Slide another short board B into the other two corner brackets from above, as shown in Image 5a.

IMAGE 5a

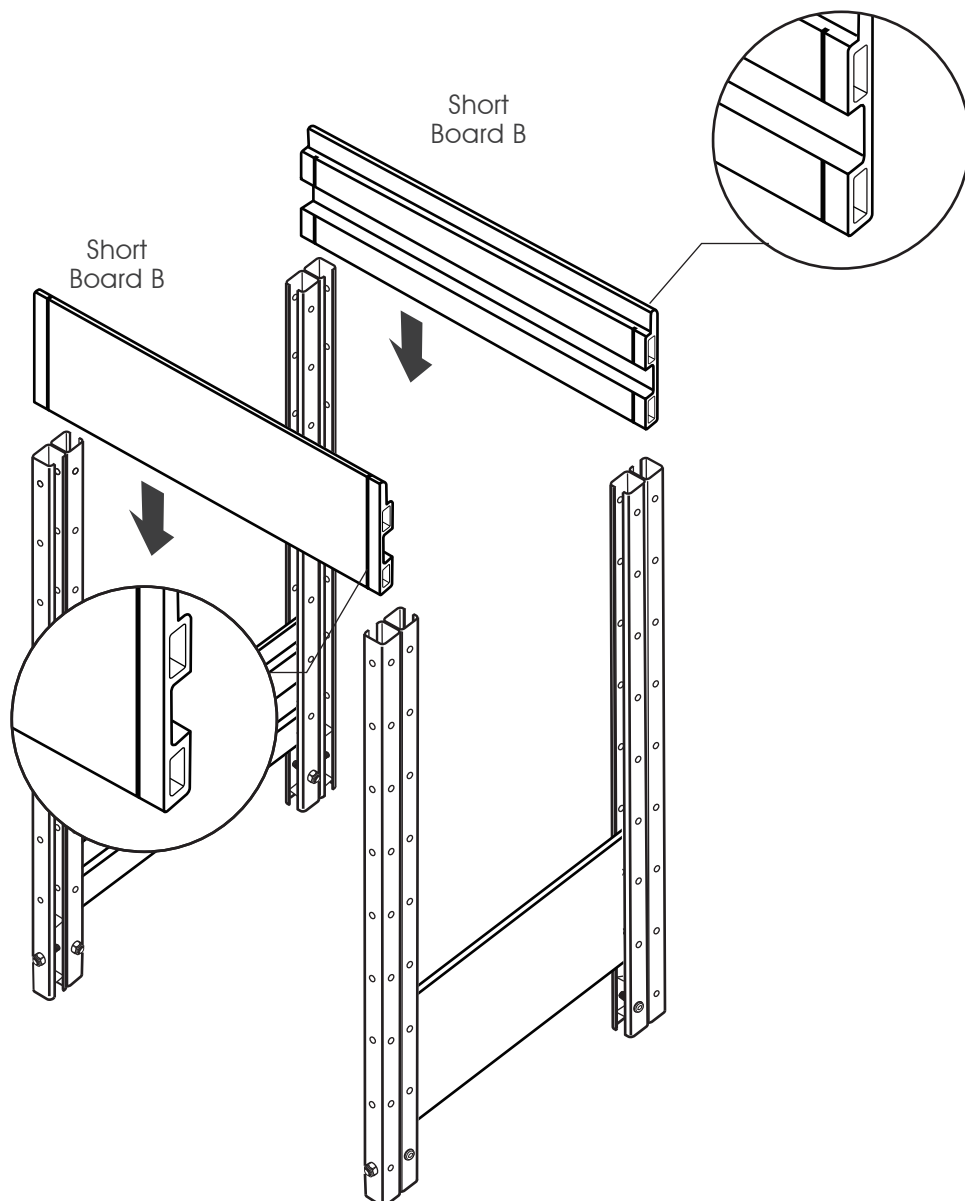


Assembly

Planter Box Cornerstone - 17" L x 19" W x 21" H

With the help of another person holding the 2 assembled parts, slide another two short boards B into the brackets from above to the bottom, as shown in Image 6a.

IMAGE 6a

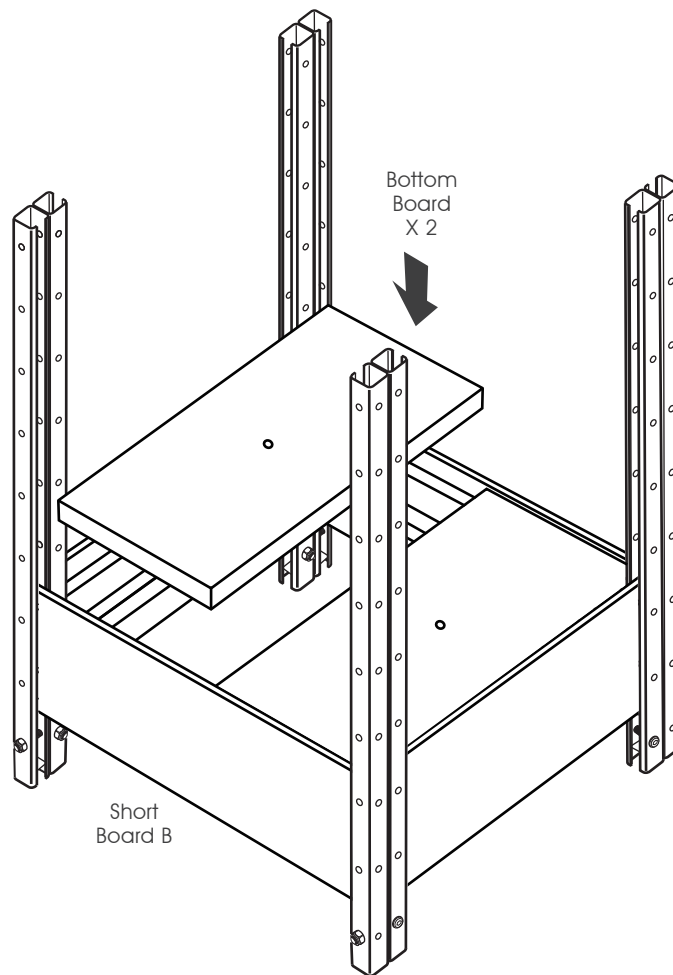


Assembly

Planter Box Cornerstone - 17" L x 19" W x 21" H

Put the bottom boards on the short boards B, as shown in Image 7a.

IMAGE 7a



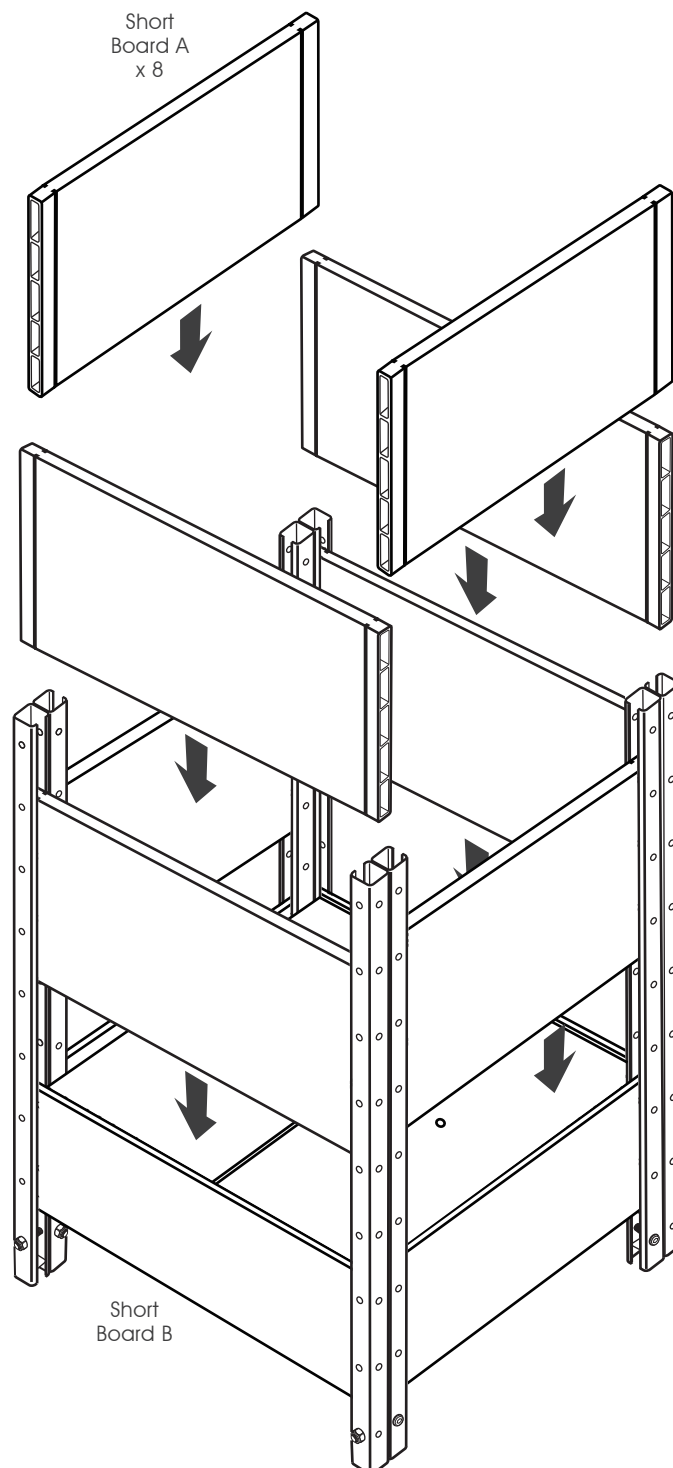
Assembly

Planter Box Cornerstone - 17" L x 19" W x 21" H

Slide the remaining boards into place, as shown in Image 8a. Now you get a planter box cornerstone with 7.5" planting depth.

Note: If you want to add trellis kit onto this planter box, please assemble the extension connectors **before** this step, to avoid disassembling the boards later.

IMAGE 8a

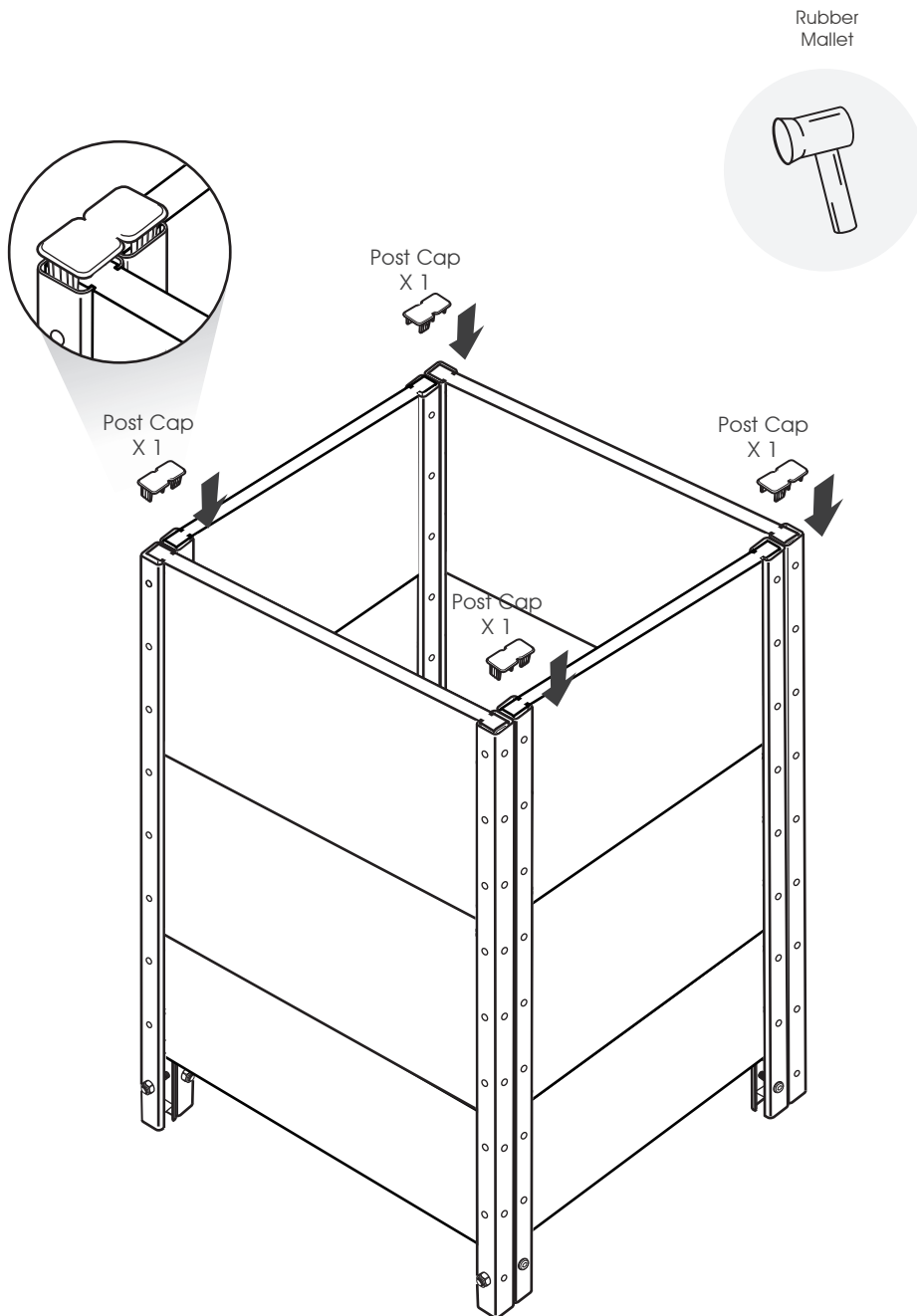


Assembly

Planter Box Cornerstone - 17" L x 19" W x 21" H

If necessary, use your rubber mallet to ensure the boards are tightly in place. Cover the brackets with the 4 end caps, as shown in Image 10.

IMAGE 10



Assembly

Planter Box Cornerstone - 17" L x 19" W x 21" H

Unfold the liner and cover the bottom of the garden bed, as shown in Image 11 and Image 12.

IMAGE 11

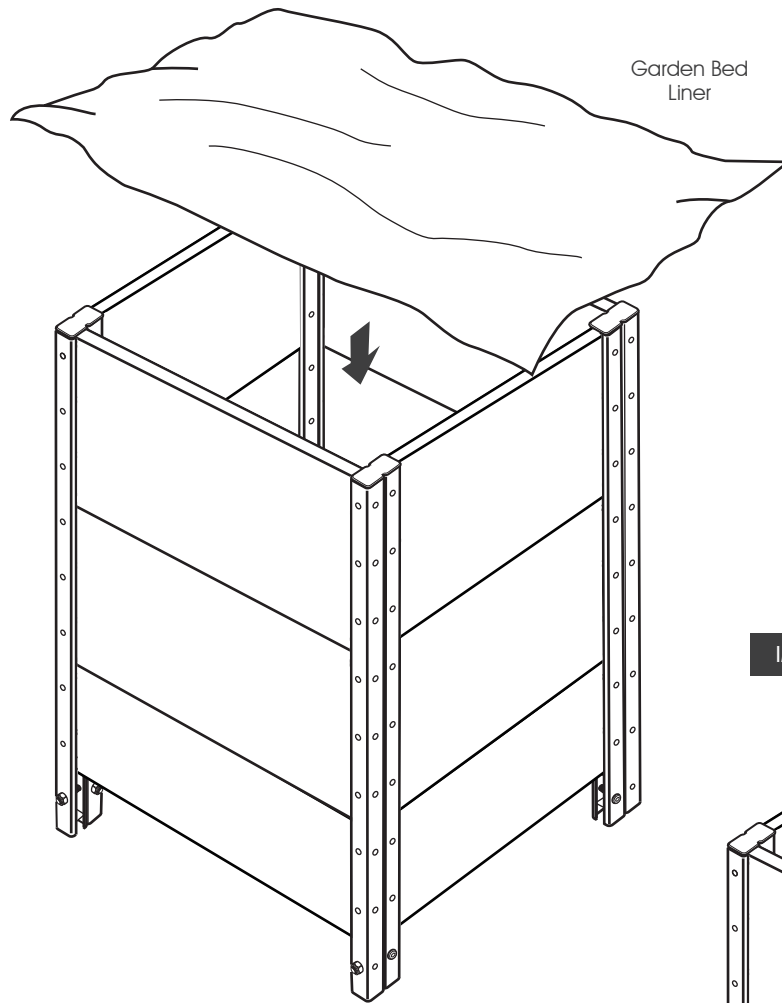
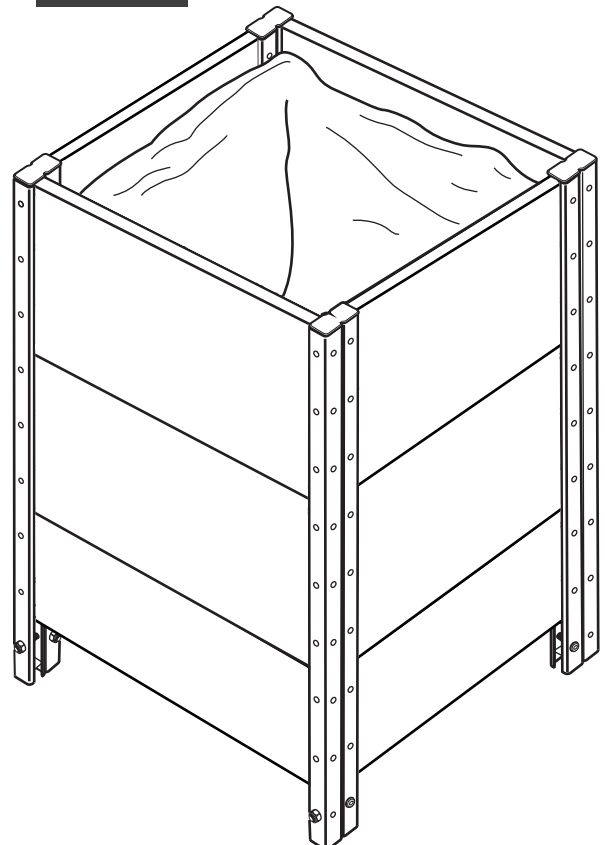


IMAGE 12



Note

Planter Box Cornerstone - 17" L x 19" W x 21" H

Sometimes there might be a misalignment of the Corner Posts as shown in Image 13 and Image 14, which may result in difficulty of sliding boards into the brackets. Please adjust them to the right position so that they are parallel to each other, and perpendicular to the ground.

IMAGE 13

Assembling Problem 1

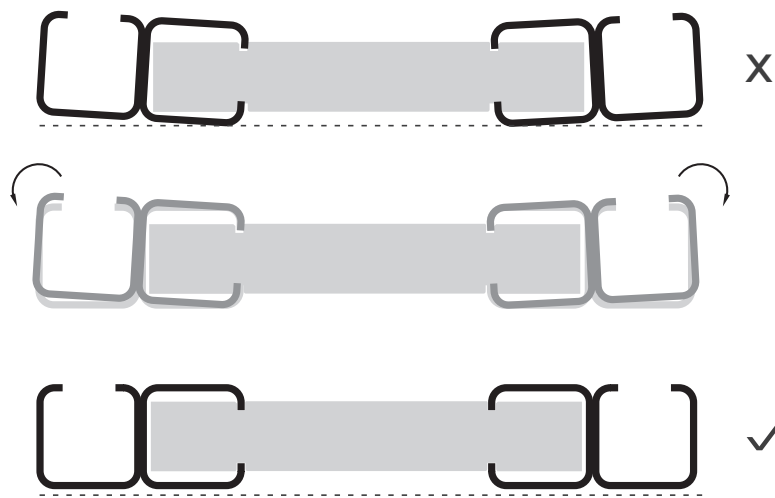
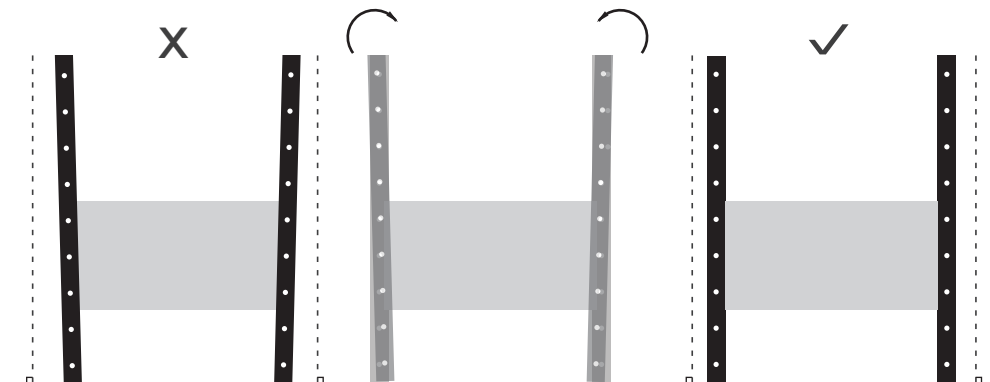


IMAGE 14

Assembling Problem 2



Bloom On.

Everbloom-Garden.com

US Patent Pending

★ Subscribe at www.everbloom-garden.com for
extra savings and upgrading information!

Distributed by:
Dynaforge Trading LLC
St. Paul, MN55101
Email: service@everbloom-garden.com