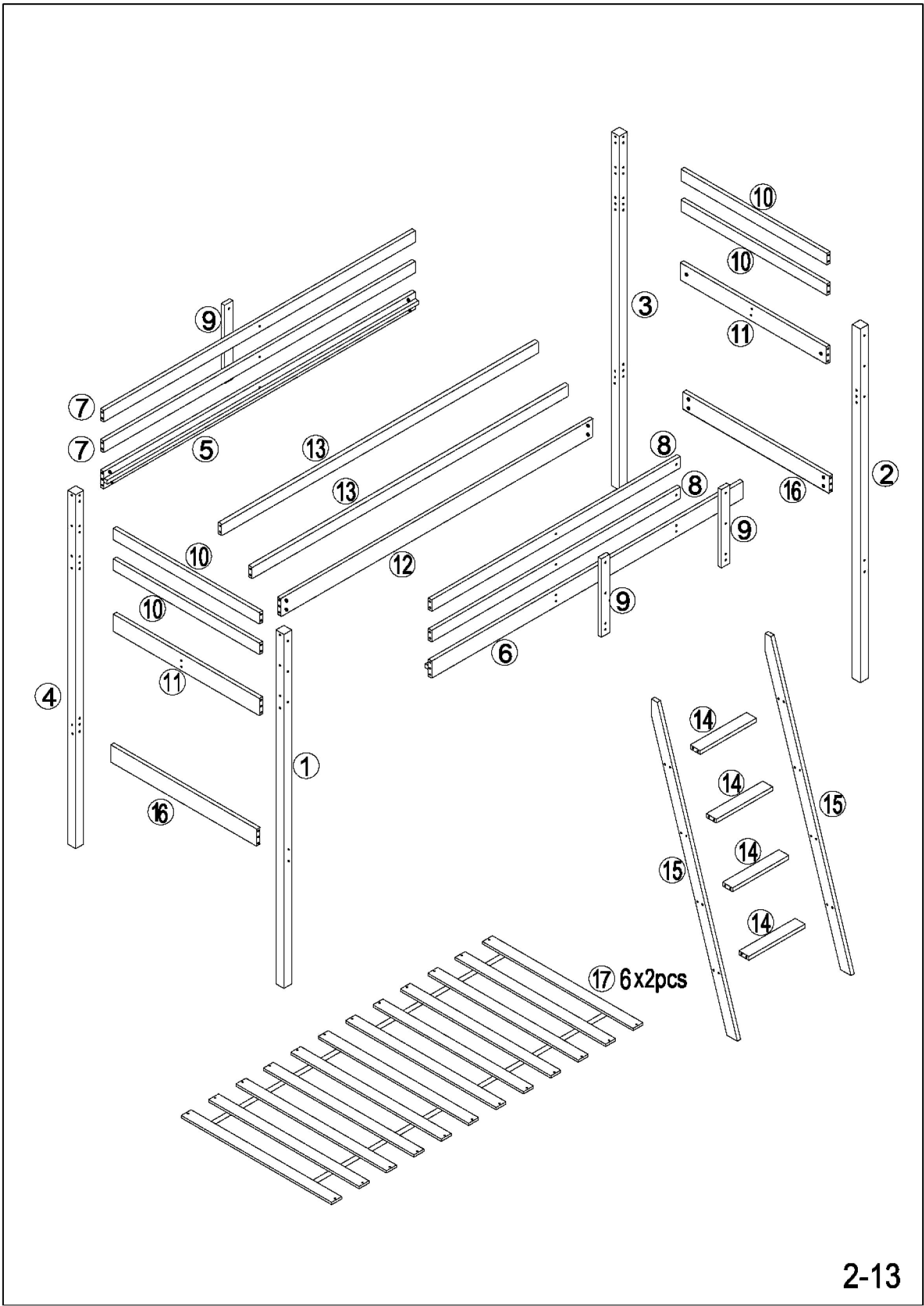





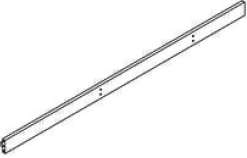



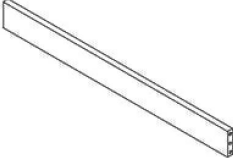
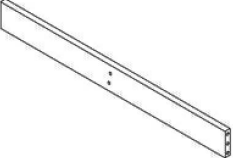
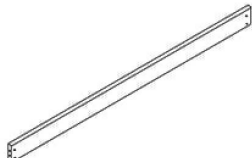



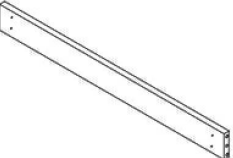
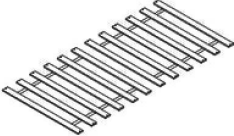








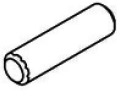

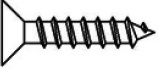


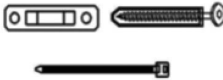


LOFT BED

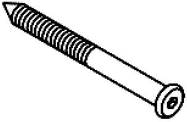





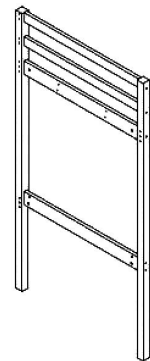
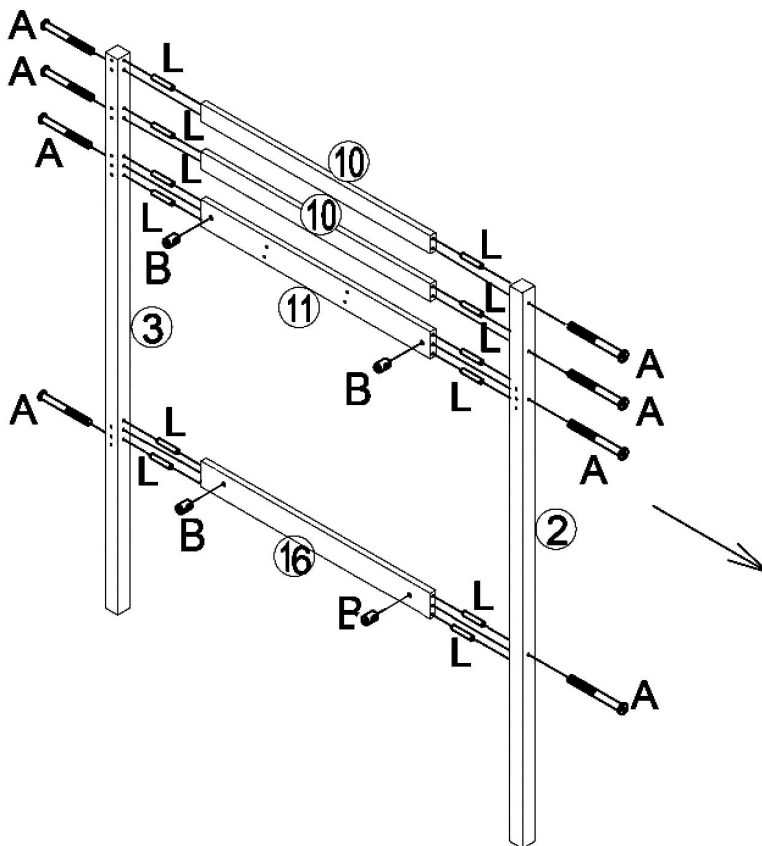
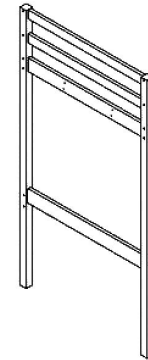
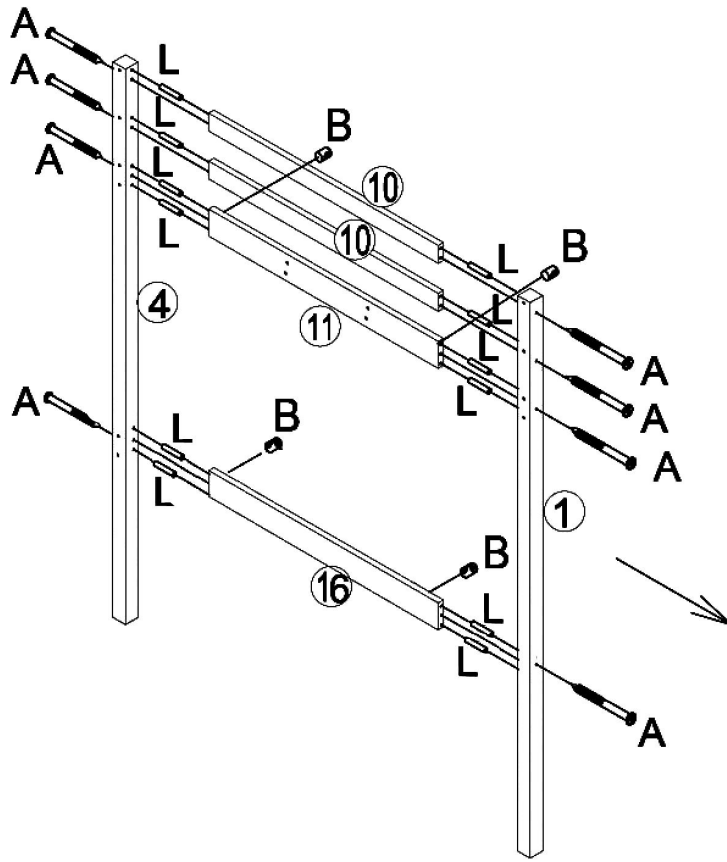


17 6x2pcs

①=1pc 	②=1pc 	③=1pc 	④=1pc 	⑤=1pc 
⑥=1pc 	⑦=2pcs 	⑧=2pcs 	⑨=3pcs 	⑩=4pcs 
⑪=2pcs 	⑫=1pc 	⑬=2pc 	⑭=4pcs 	⑮=2pcs 
⑯=2pcs 	⑰=2pcs 			
A- 34pcs 	B-46pcs 	C-8pcs 	D-12pcs 	E-12pcs 
F- 4pcs 	G-16pcs 	H-2pcs 	L-36pcs 	J-4pcs 
K-24pcs 	M-64pcs 	N-1pcs 	R-2set 	

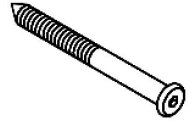
1

A x 16	
B x 20	
L x 24	
F x 4	



2

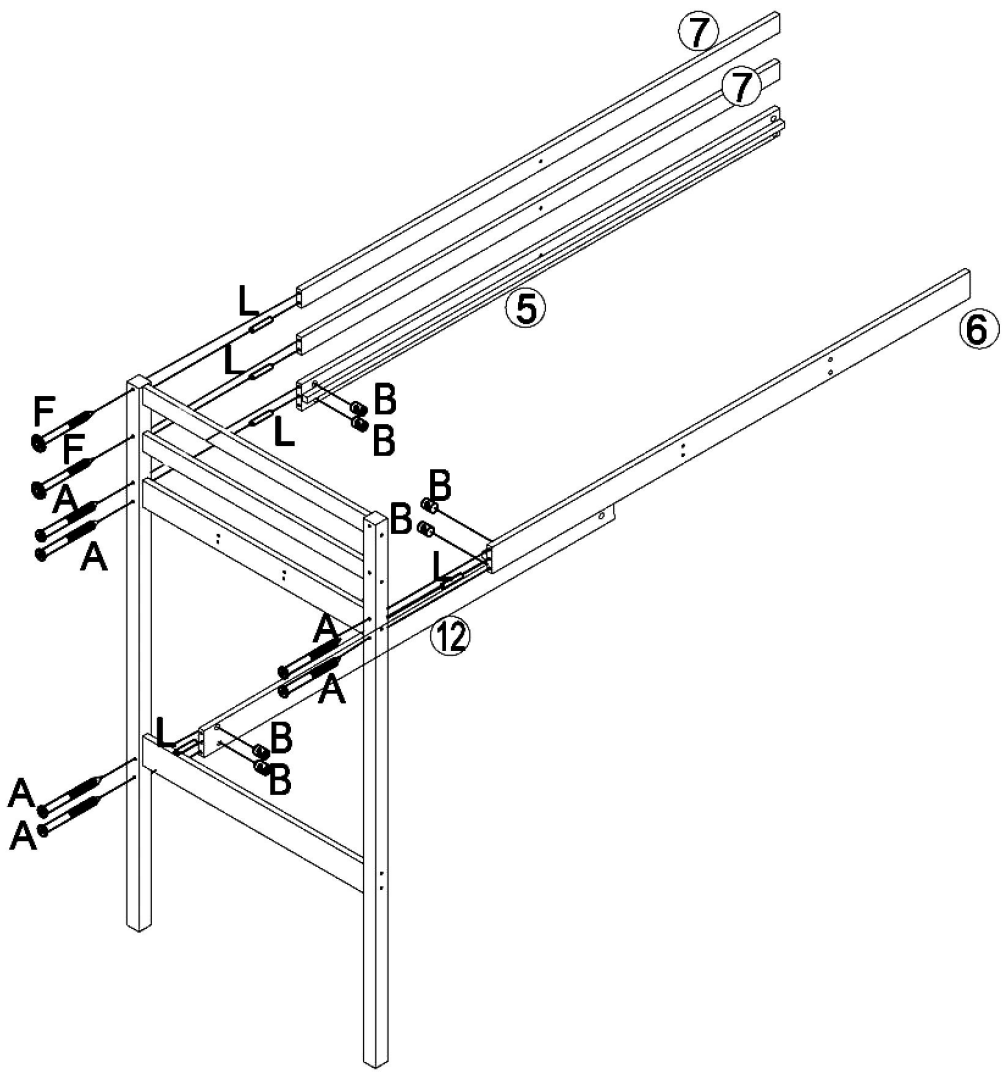
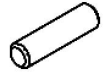
Ax8



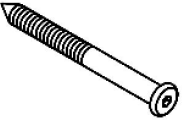


Bx8

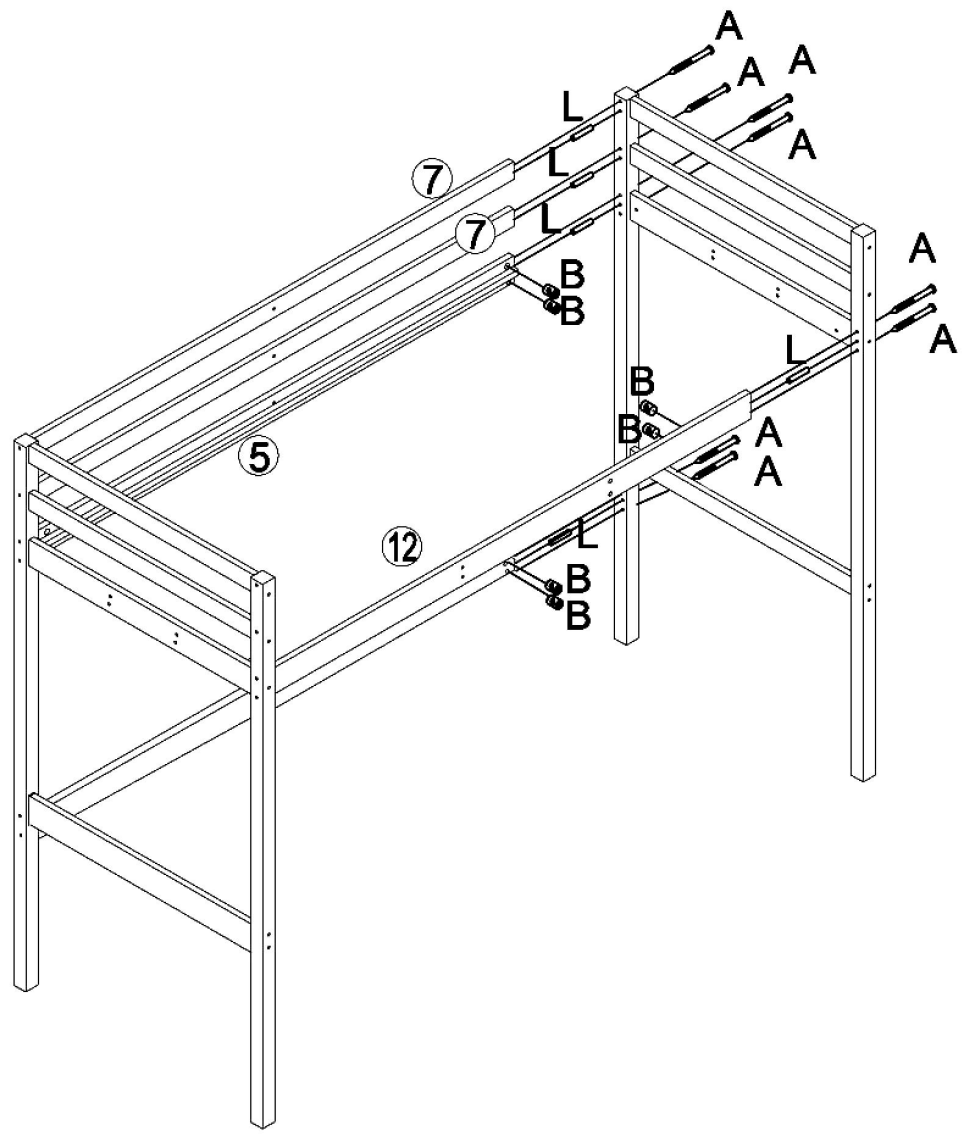


Lx5



3

Ax8	
Bx8	
Lx5	

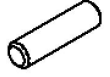


4

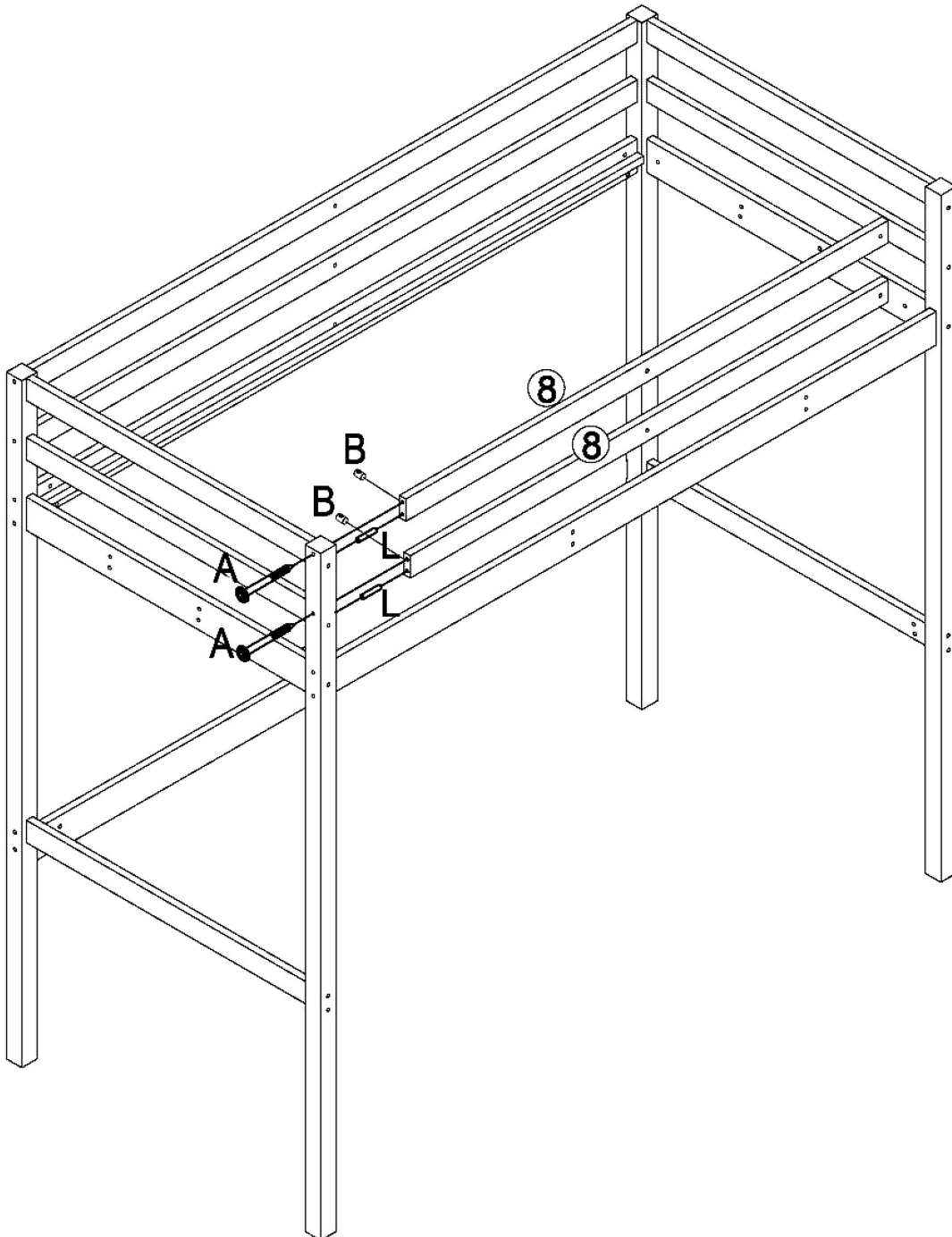
Ax2



Lx2



Bx2

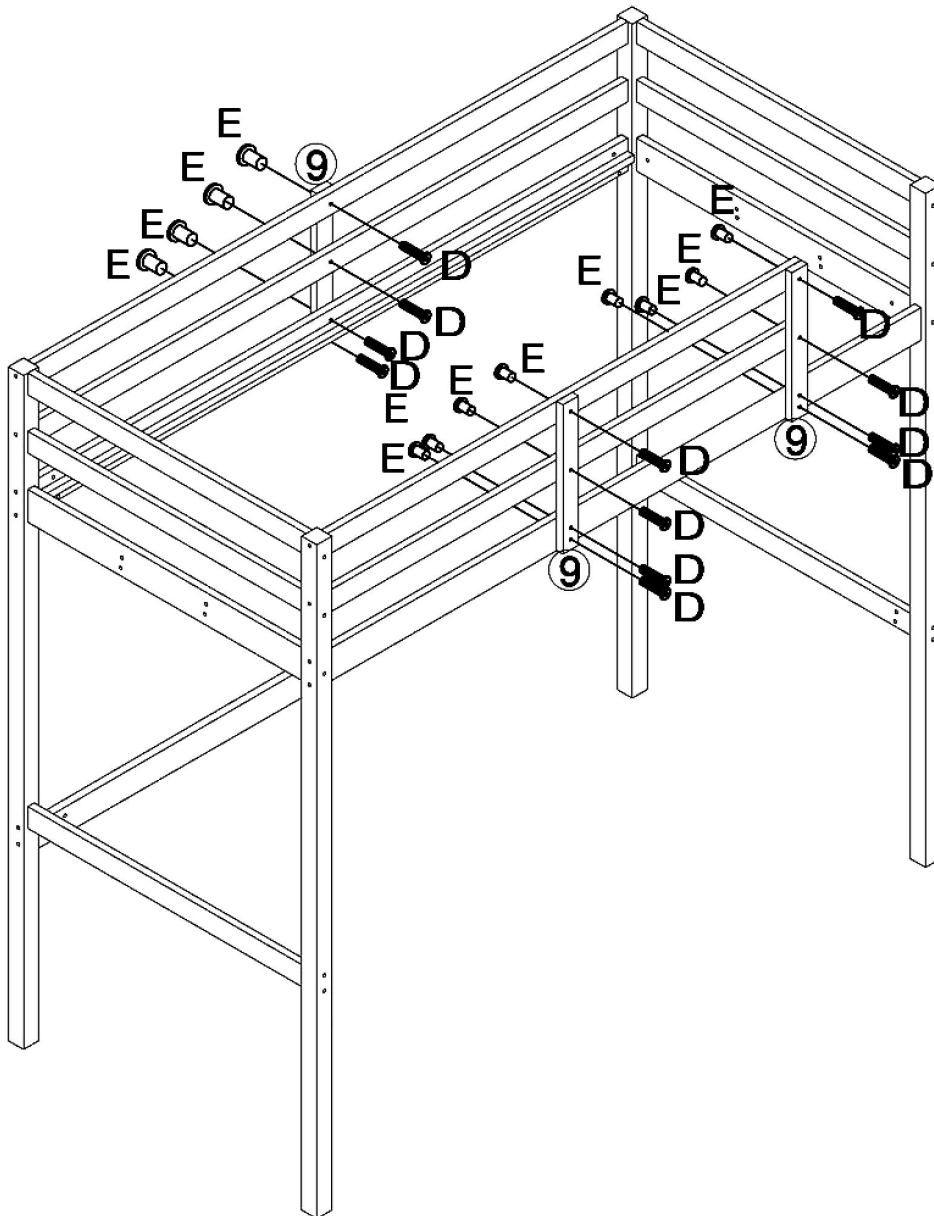


5

DX12

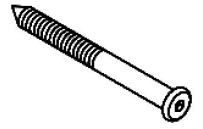


Ex12

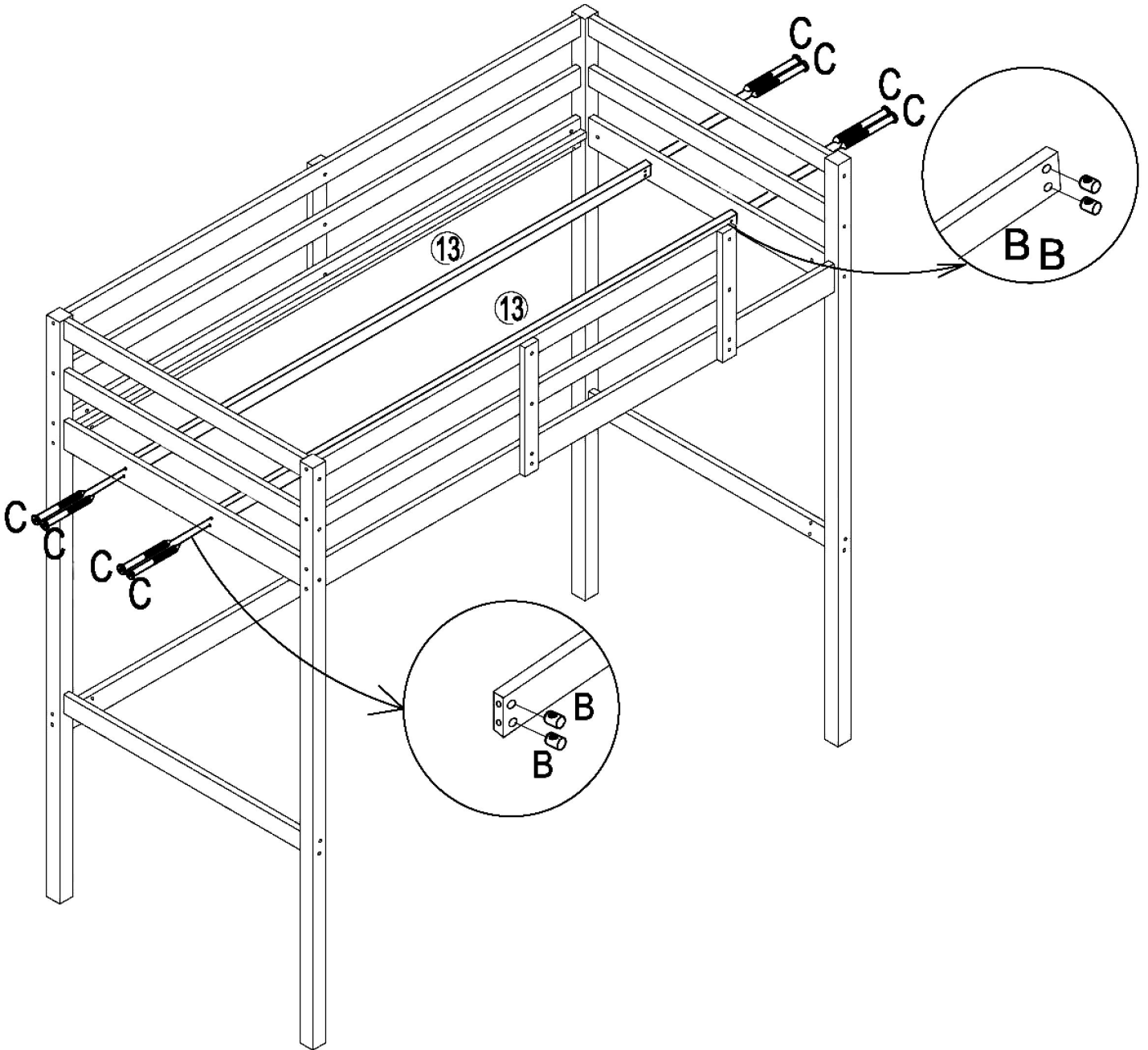


6

Cx8



Bx8



7

Gx16



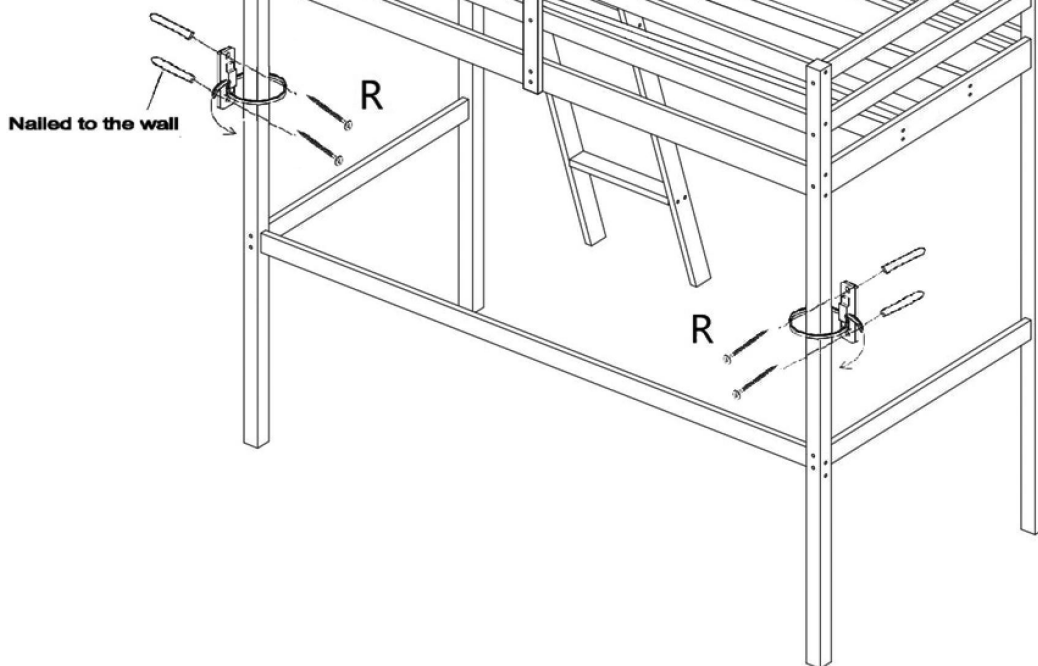
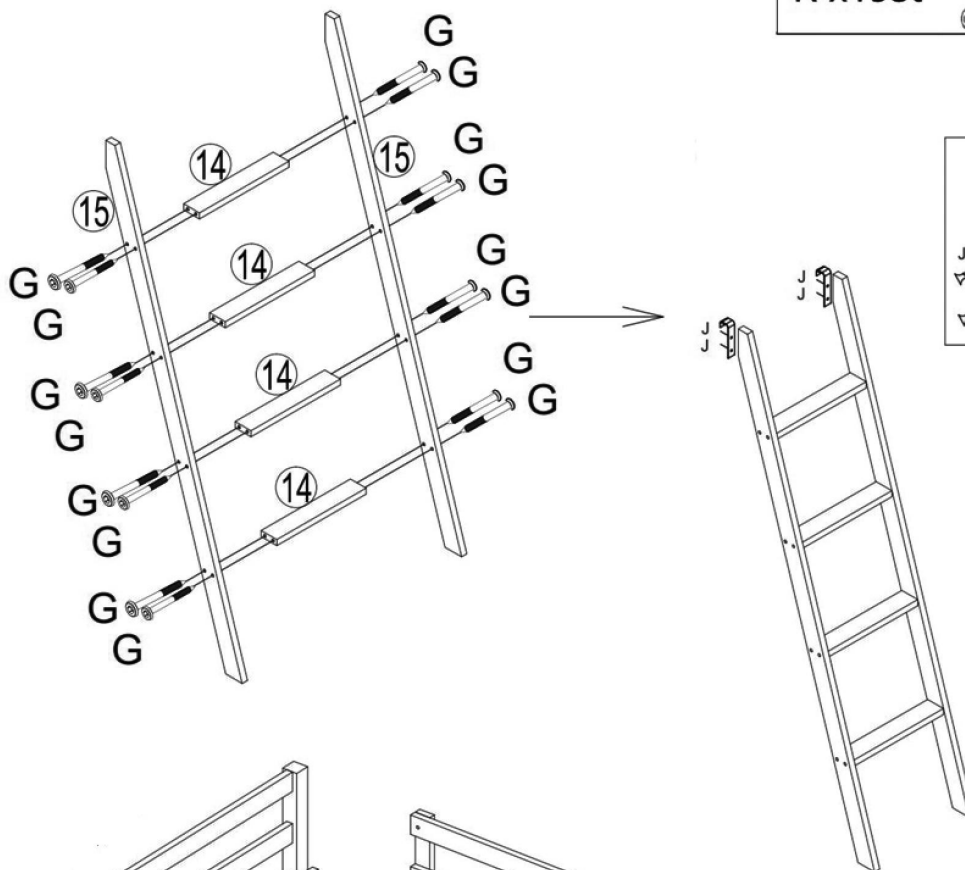
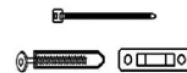
Hx2



J x4



R x1set

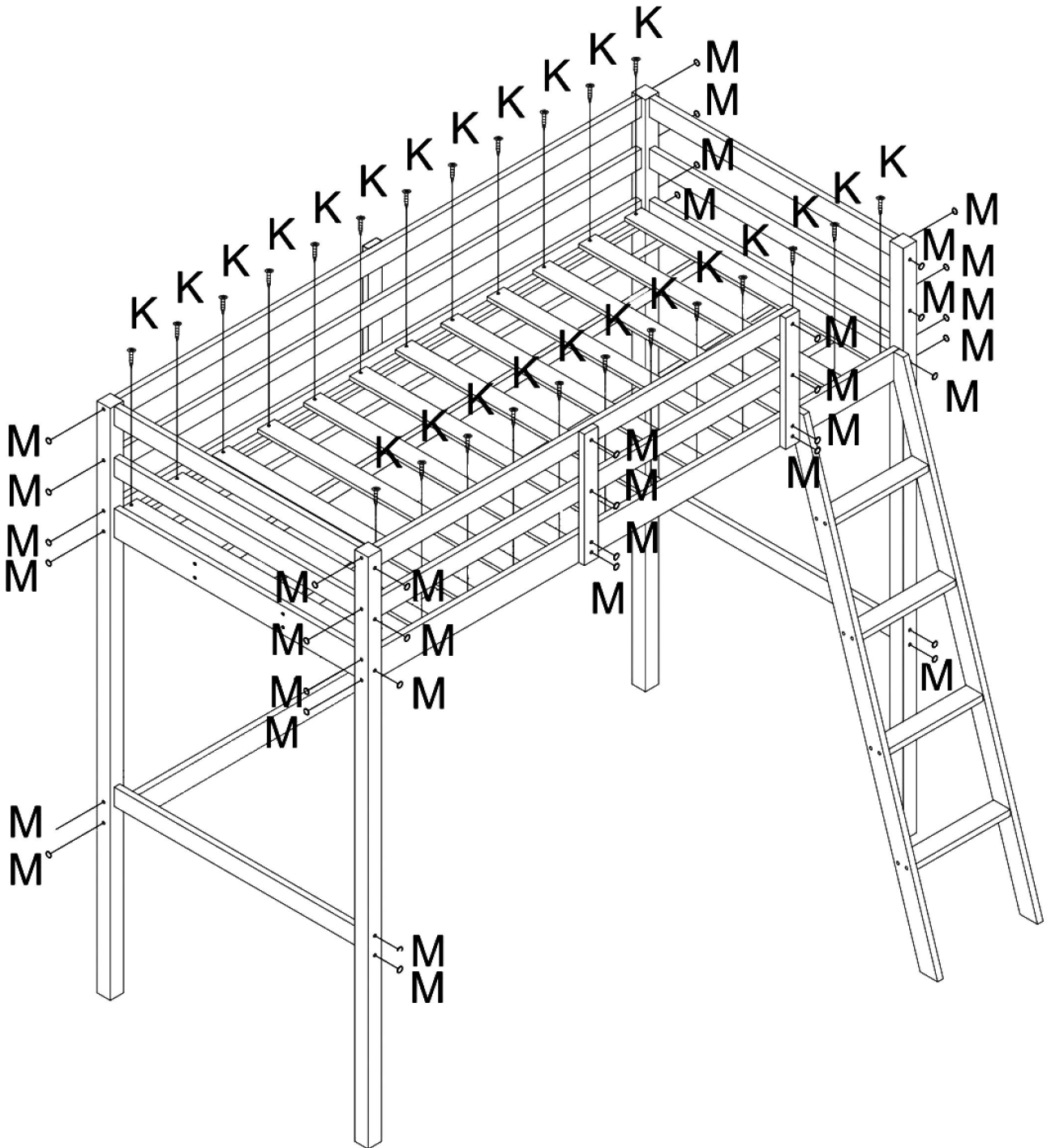


8

Kx24



Mx64



9





CONTACT US

Thanks for purchase from JOYMOR! Sincerely hope you have a happy shopping experience with us, and will kindly share the happy feeling to your family or friends or by leaving a positive rating on Amazon, it will greatly encourage our passions to provide better products and efficient service.

In case you have any unpleasant experience, please contact us for help at the first time as below:

 support@joymor.com

 www.joymor.com

We will reply to you within 24 hours as soon as possible and try our best to make you happy shopping again.

WARNING

1. Product is only for adult to assemble.
2. Retain instructions for future reference.
3. Read all instruction carefully and follow each step to assemble.
- 4 Always place the product on a flat, steady and stable surface.
5. Keep all small parts and packaging materials for this product away from babies and children as they potentially pose a serious choking hazard.
6. We recommend that, where possible, all items are assembled near to the area in which they will be placed in use, to avoid moving the product unnecessarily once assembled.