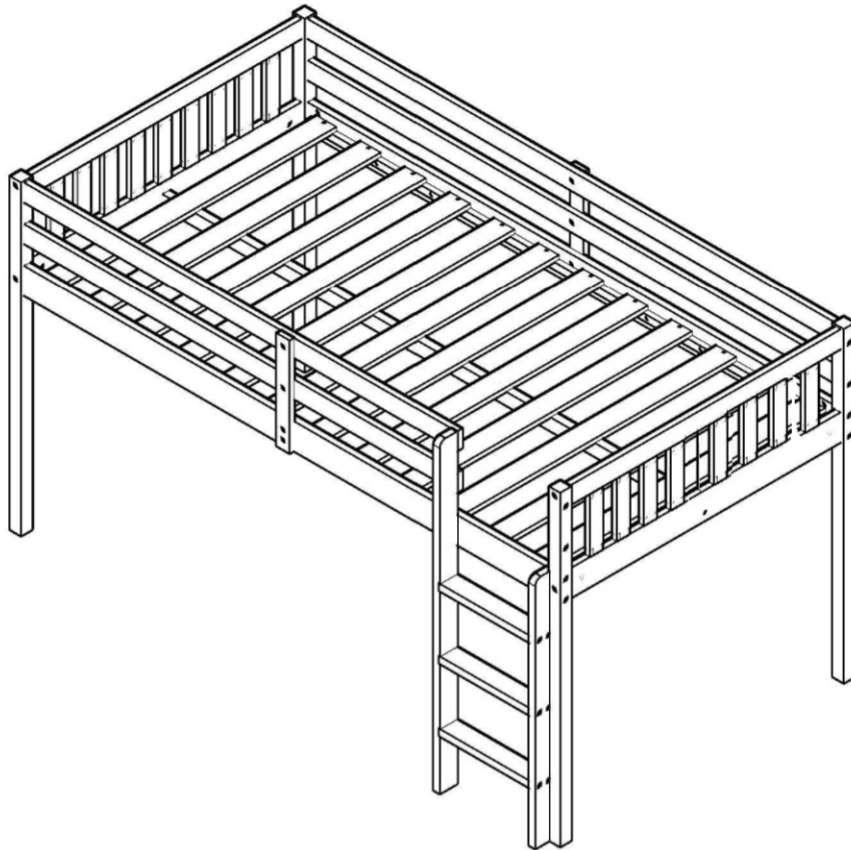




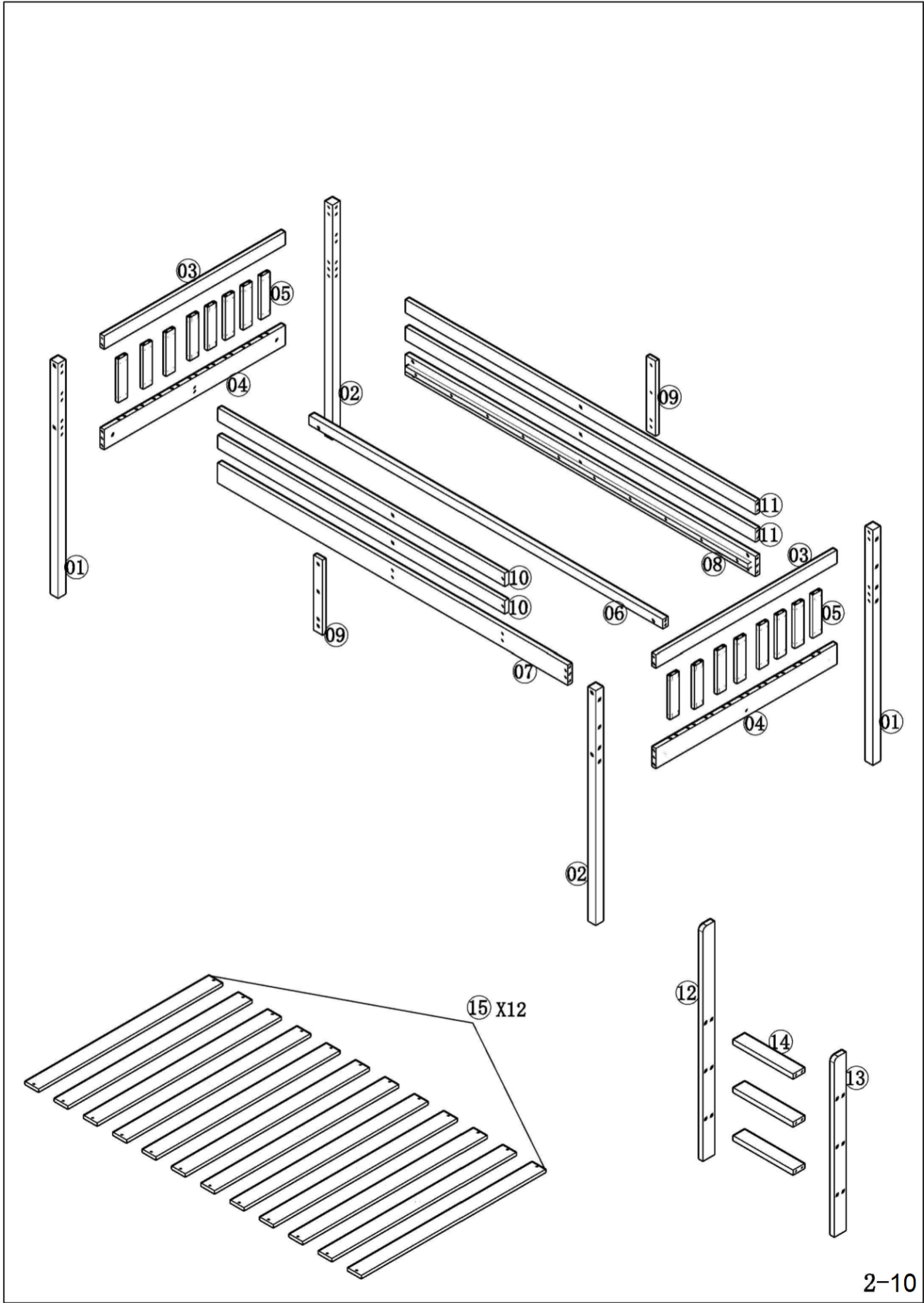
## INSTRUCTION MANUAL
































### Loft Bed Frame



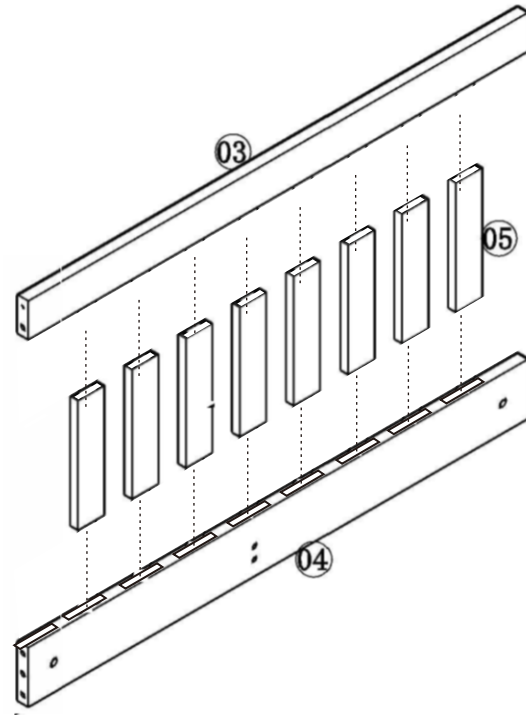
#### NOTE:

1. When receiving the goods, please confirm the product according to the instructions. Once you find less pieces, please provide relevant pictures to contact us. We will deal it in the time.
2. Please install goods with the instruction manual.
3. It is recommended that the installation should not be too tight to adjust easily. After the structure is installed, firm the interface for more stability.








<b>01</b> -2pcs 	<b>02</b> -2pcs 	<b>03</b> -2pcs 	<b>04</b> -2pcs 	<b>05</b> -16pcs 	<b>06</b> -1pcs 
<b>07</b> -1pcs 	<b>08</b> -1pcs 	<b>09</b> -2pcs 	<b>10</b> -2pcs 	<b>11</b> -2pcs 	<b>12</b> -1pcs 
<b>13</b> -1pcs 	<b>14</b> -3pcs 	<b>15</b> -12pcs 	<b>A</b> -12pcs  M6x90	<b>B</b> -14pcs 	<b>C</b> -24pcs  $\varnothing 8 \times 30$
<b>D</b> -10pcs  M6x90	<b>E</b> -2pcs  M6x70	<b>F</b> -2pcs 	<b>G</b> 24pcs 	<b>I</b> -18pcs 	<b>M</b> -8pcs 
<b>Y</b> -32pcs 	<b>X</b> -4pcs 	<b>V</b> -1pc 	<b>R</b> -1set  	<b>S</b> -1pc 	<b>T</b> -4pcs 

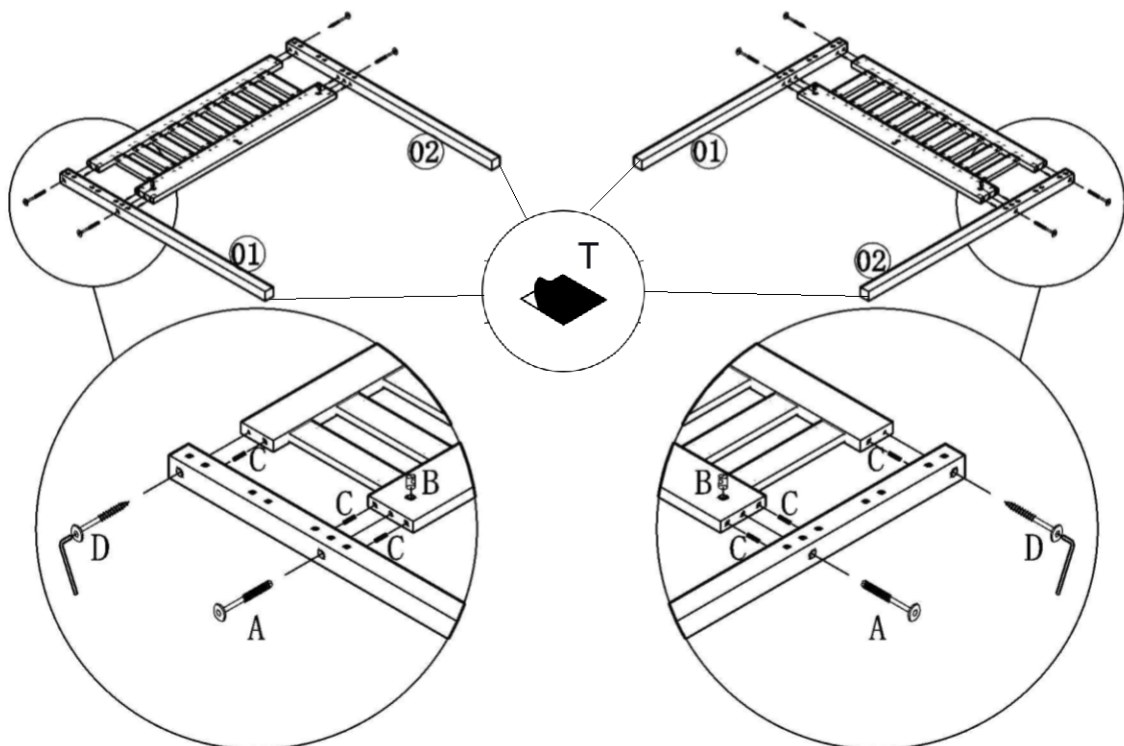
# 1









X2

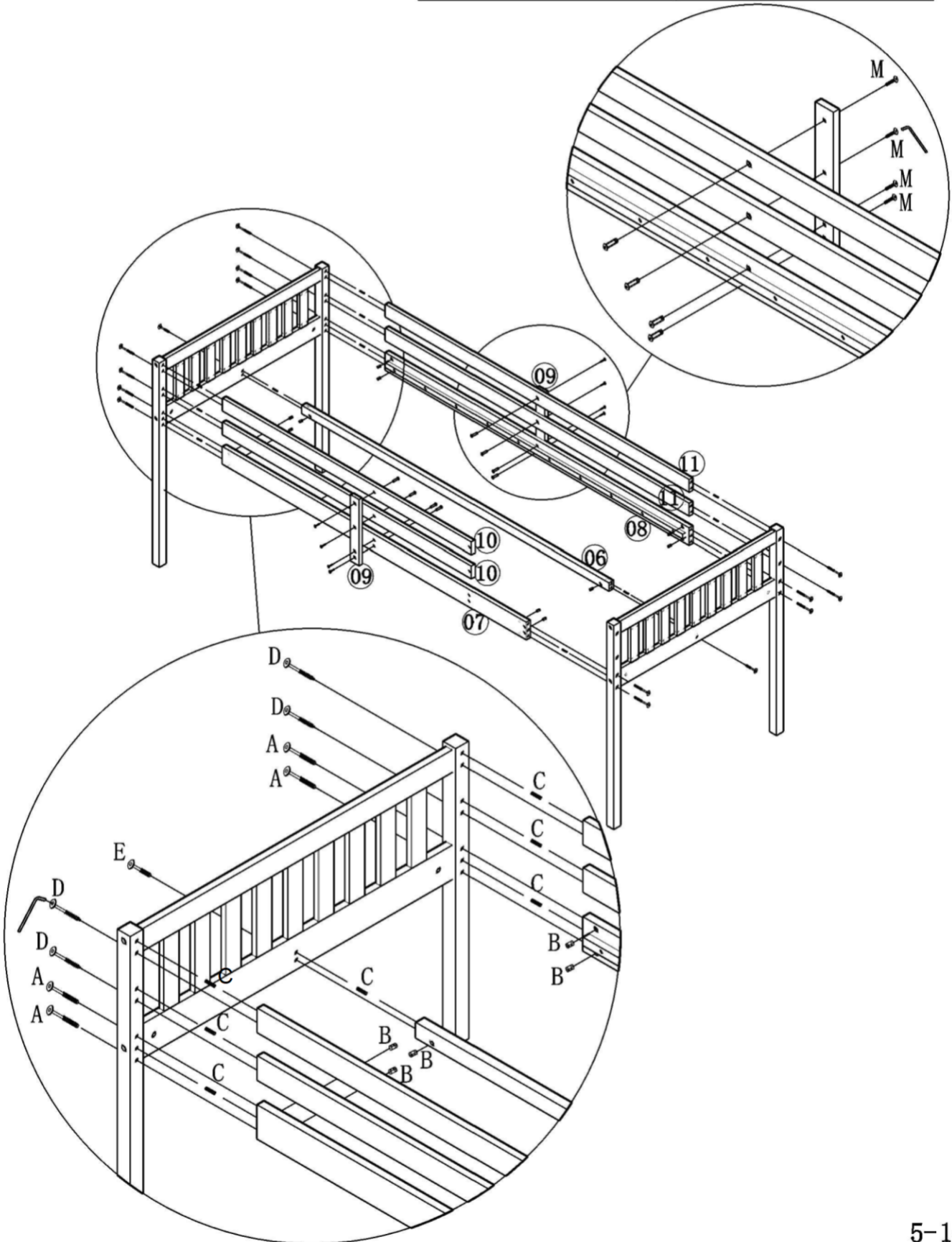
# 2

A x4		D x4	
B x4		T x4	
C x12			




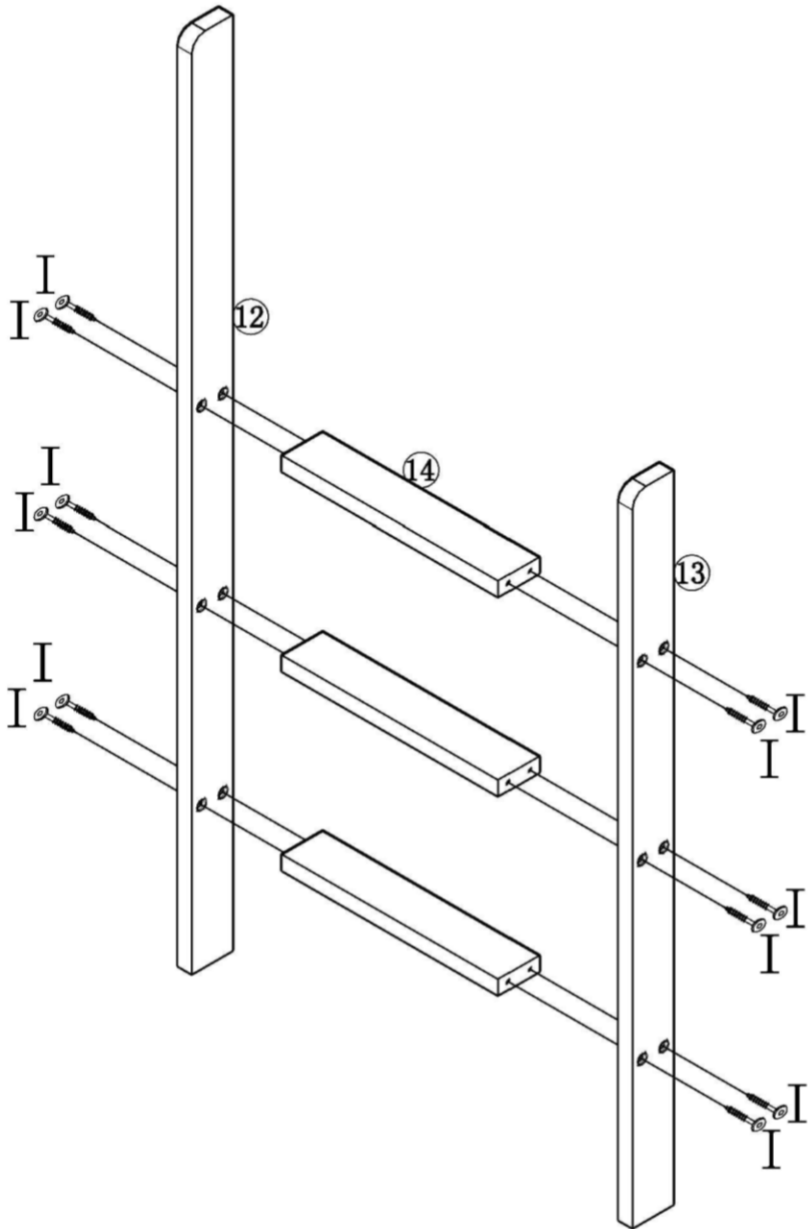
# 3

A x8		M x8	
B x10		D x6	
C x12		E x2	



4

I x12 



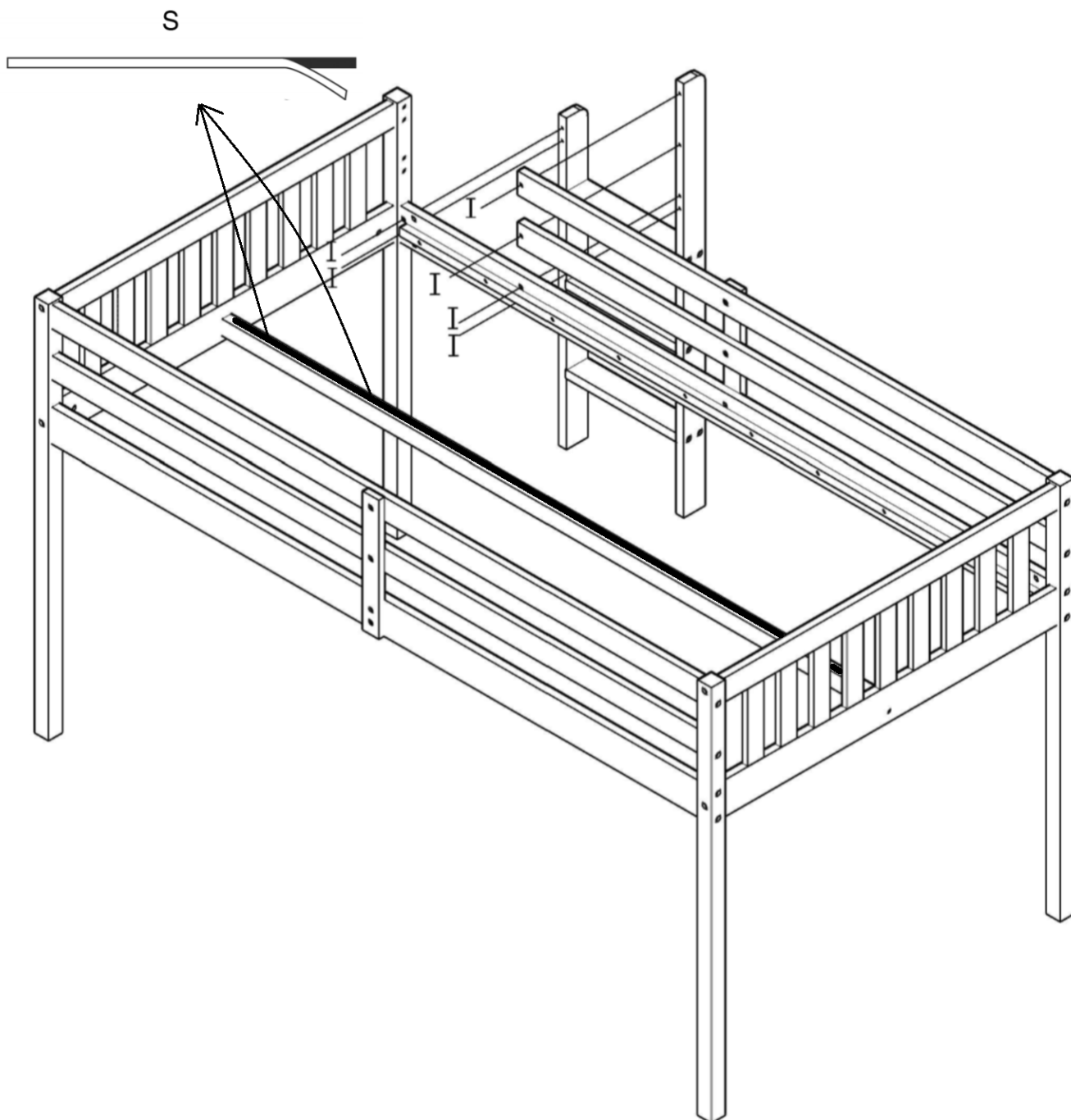


# 5



I x6

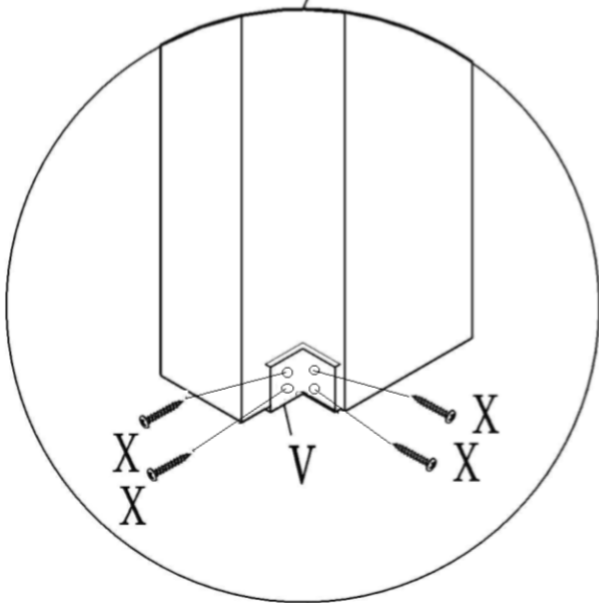
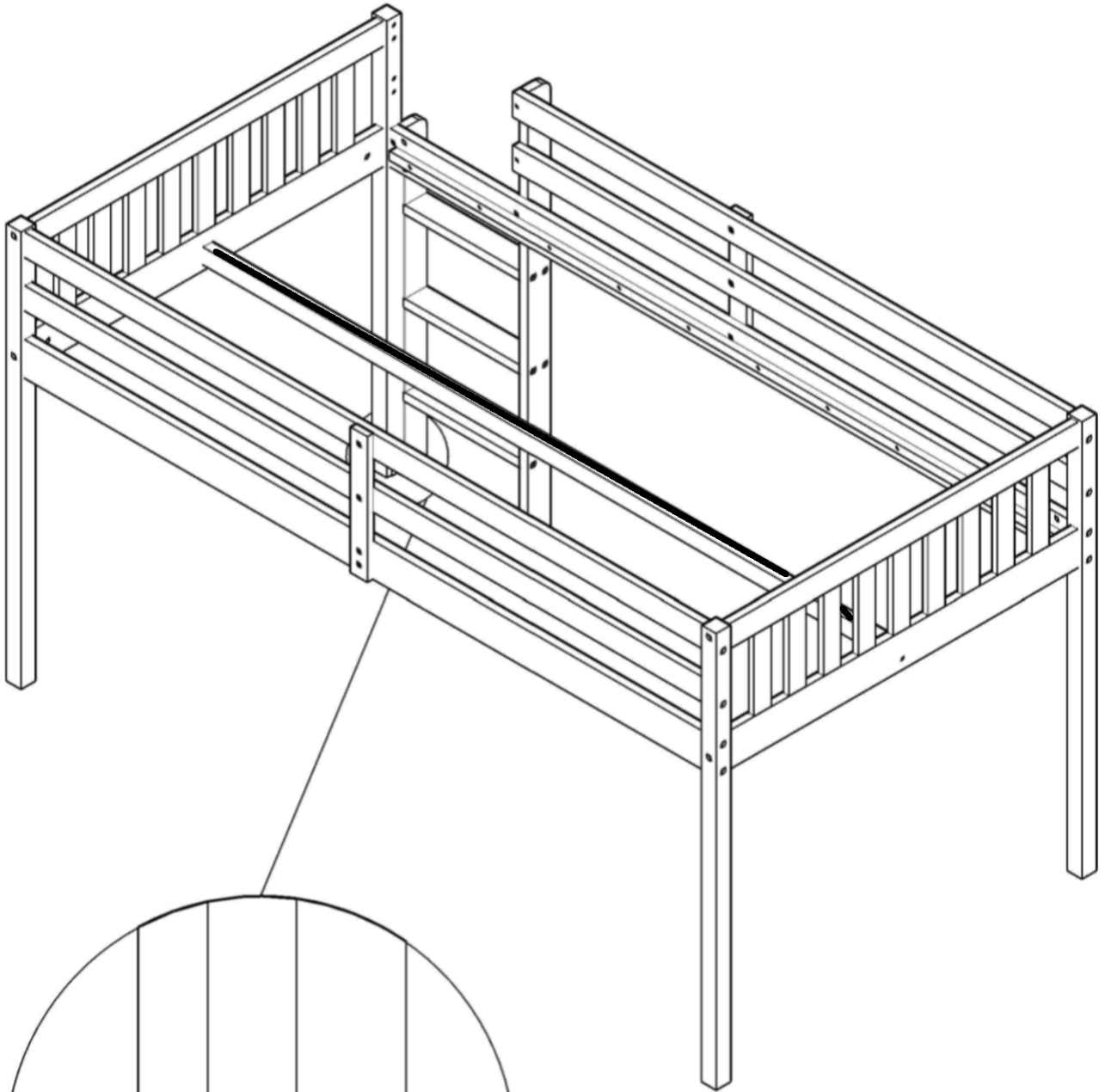


S x1



# 6

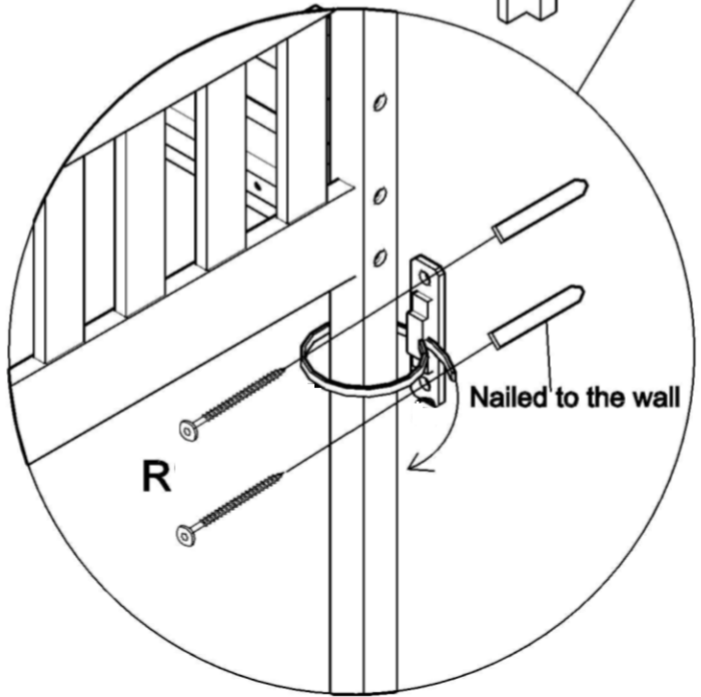
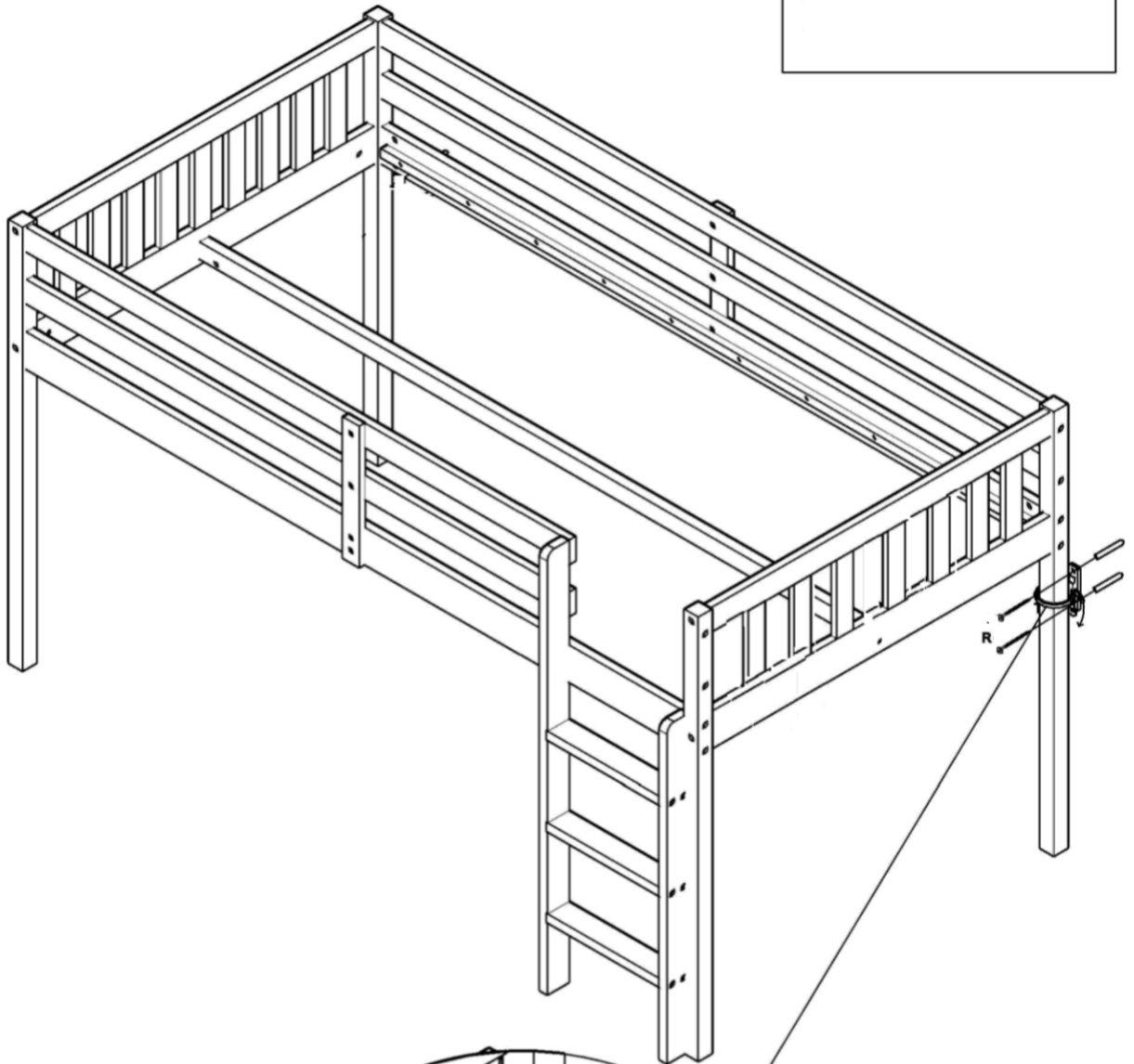

V x1	
X x4	





7

R x 1



8

G x24



Y x32

