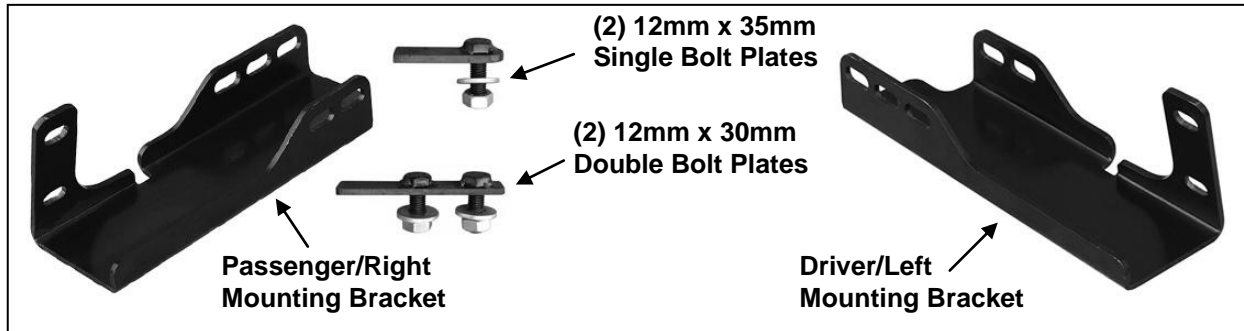


**WB016127 3" BULL BAR**  
 2007-17 CHEVY SILVERADO1500/GMC SIERRA1500  
 2007-17 TAHOE/SUBURBAN/YUKON/YUKON XL  
 2007-14 CADILLAC ESCALADE 1500/ESV/EXT  
 2007-13 CHEVY AVALANCHE

**PARTS LIST:**

1	Bull Bar	6	12mm x 30mm OD x 3mm Flat Washer
1	Driver/Left Mounting Bracket	6	12-1.75mm Nylon Lock Nut
1	Passenger/Right Mounting Bracket	4	10-1.50mm x 35mm Hex Bolt
2	12-1.75mm x 30mm Double Bolt Plate	8	10mm x30mm OD x 2.5mm Flat Washer
2	12-1.75mm x 35mm Single Bolt Plate	4	10-1.50mm Nylon Lock Nut
4	PVC Plate 70x35x0.7mm (Assist to hold the bolts plate only)		



**PROCEDURE:**

**REMOVE CONTENTS FROM BOX AND VERIFY ALL PARTS ARE PRESENT. READ INSTRUCTIONS CAREFULLY. CUTTING MAY BE REQUIRED. INSTALLATION MAY INTERFERE WITH FRONT MOUNTED SENSORS. NOTE:** It may be necessary to remove/relocate front license plate and license plate bracket. It is not required, but strongly recommended. If local/state law requires a front license plate, license plate relocation kit is available.

1. Start installation from under the front of the vehicle. Determine if the vehicle is equipped with tow hooks. **IMPORTANT:** Tow hooks cannot be reinstalled with the Bull Bar.

**Tow Hook equipped vehicles:**

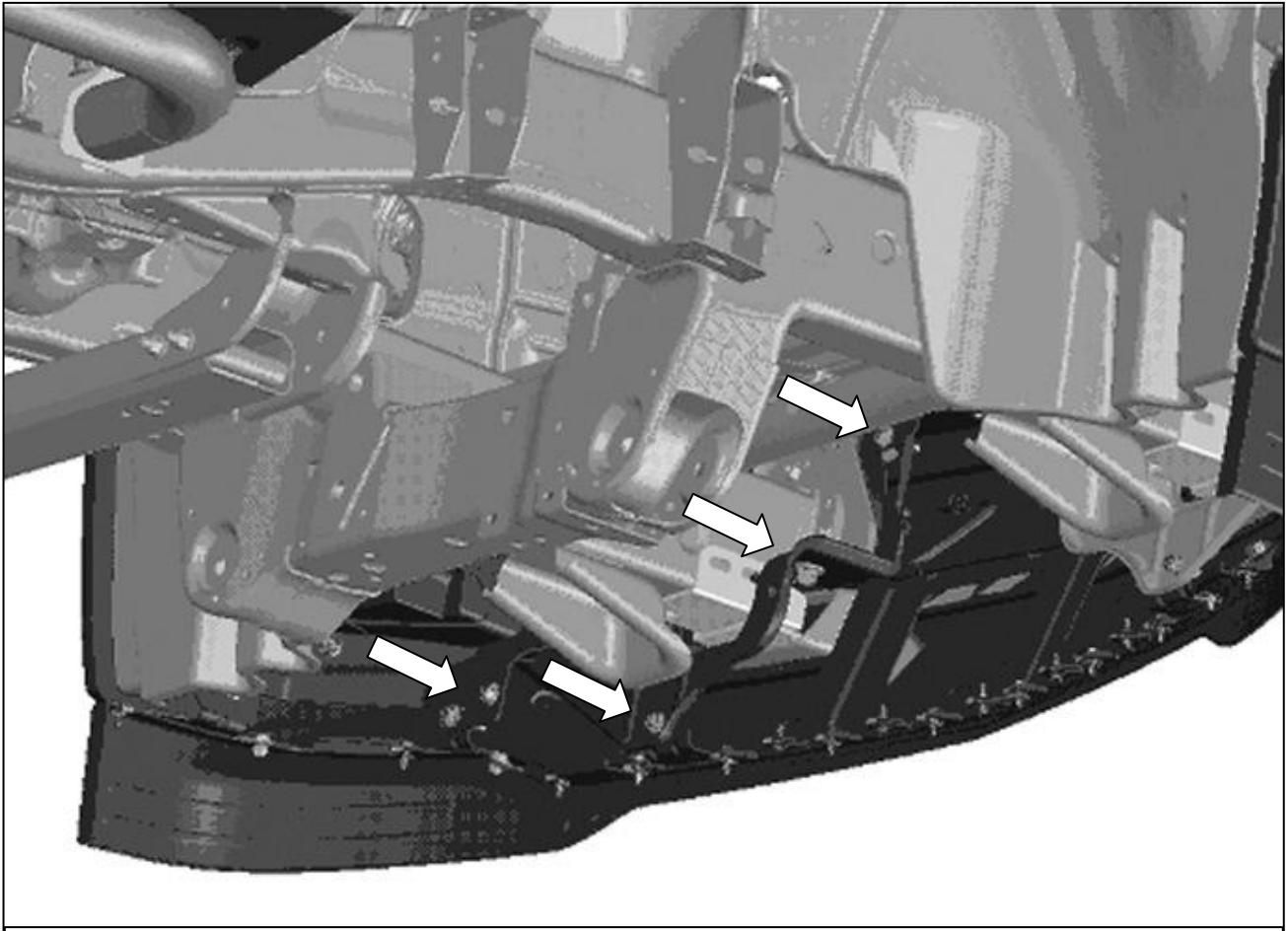
- a. Remove the factory tow hook from the end of each frame channel, **(Figure 1)**. Skip to **Step 2** if tow hooks were accessible and have been removed. **NOTE:** The driver side tow hook on some later models may be difficult to remove and assistance is highly recommended on these models. The following info only applies to the later GM models.
  - i. **Tow hook removal-option 1:** Remove the hex bolts securing the driver side of the bumper to the bracket. Use a short pry bar or large screwdriver to move the tab on the bumper bracket up and away to clear the hex bolt and slide it out past the bumper bracket, **(Figures 2A, 2B)**.
  - ii. **Option 2:** Remove plastic radiator grille. Loosen and/or completely remove the front bumper to remove the long hex bolt in the driver side tow hook, **(Figure 2B)**.
- b. Reattach the bumper after both tow hooks have been removed and the openings have been checked for Bracket clearance. Tighten all factory bumper hardware at this time.
- c. Proceed to **Step 2**.

**Vehicles without tow hooks:**

- a. Cut out the indented area in both sides of the plastic bumper insert to clear the Brackets as pictured, **(Figures 3 & 4)**. **IMPORTANT:** Make several small cuts for best fit. Do not cut through the top edge of the panel. **NOTE:** On some later models, the plastic panel is held in place with several small screws. The screws at the top corners are difficult to impossible to reach and remove without damaging the cover with the bumper in place. If you prefer to remove the panel to cut out the openings, it may be necessary or easier to remove the plastic grille then the steel bumper assembly with the plastic panel attached to access all of the small screws and clips.



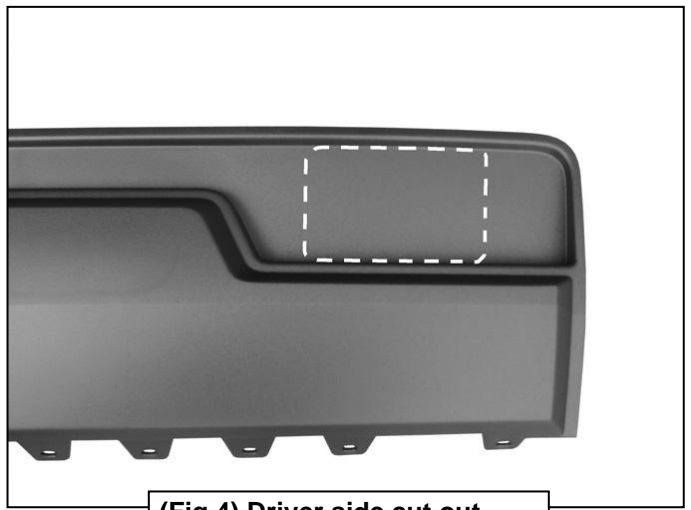
**WB016127 3" BULL BAR**  
2007-17 CHEVY SILVERADO1500/GMC SIERRA1500  
2007-17 TAHOE/SUBURBAN/YUKON/YUKON XL  
2007-14 CADILLAC ESCALADE 1500/ESV/EXT  
2007-13 CHEVY AVALANCHE



(Fig 2B) 2014 Silverado driver side illustrated from behind bumper to show bumper bolt locations.



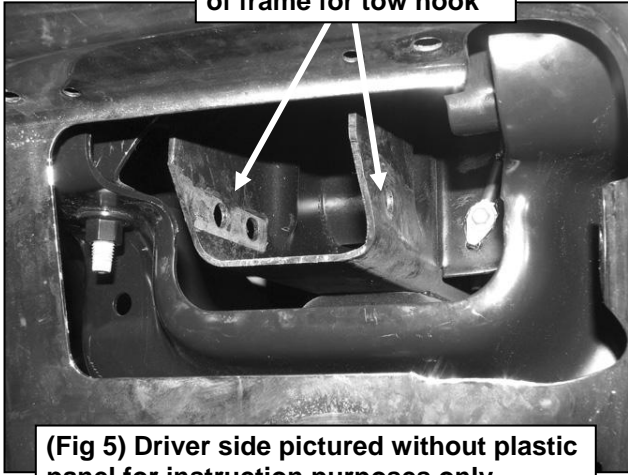
(Fig 3) Example of "no tow hook" model



(Fig 4) Driver side cut out illustrated for reference only

**WB016127 3" BULL BAR**  
 2007-17 CHEVY SILVERADO1500/GMC SIERRA1500  
 2007-17 TAHOE/SUBURBAN/YUKON/YUKON XL  
 2007-14 CADILLAC ESCALADE 1500/ESV/EXT  
 2007-13 CHEVY AVALANCHE

Mounting holes in end of frame for tow hook



(Fig 5) Driver side pictured without plastic panel for instruction purposes only

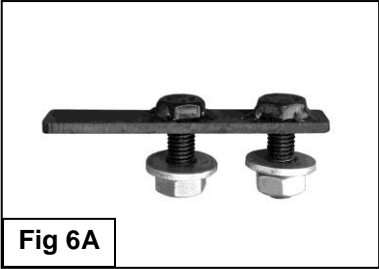
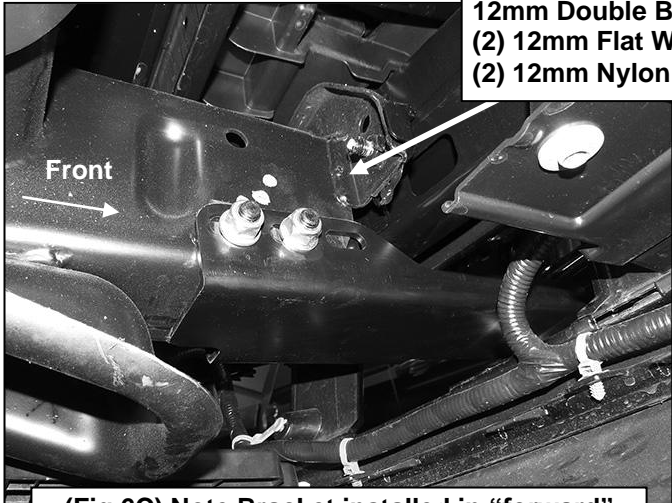


Fig 6A

12mm Double Bolt Plate  
 (2) 12mm Flat Washers  
 (2) 12mm Nylon Lock Nuts



(Fig 6C) Note Bracket installed in "forward" position to move Bull Bar away from bumper



(Fig 6B) Inner driver side Bracket with Double Bolt Plate

12mm Single Bolt Plate  
 12mm Flat Washer  
 12mm Nylon Lock Nut

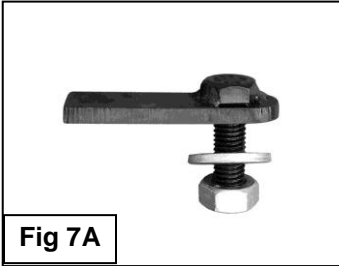
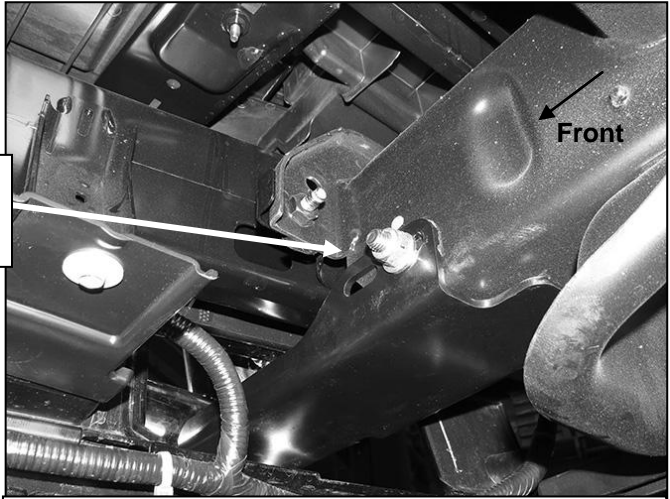


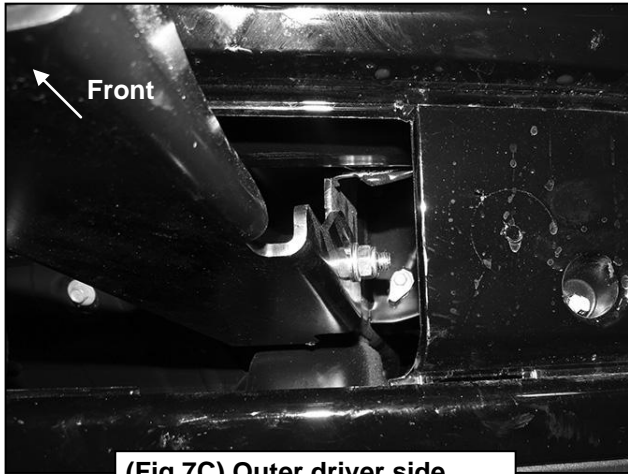
Fig 7A



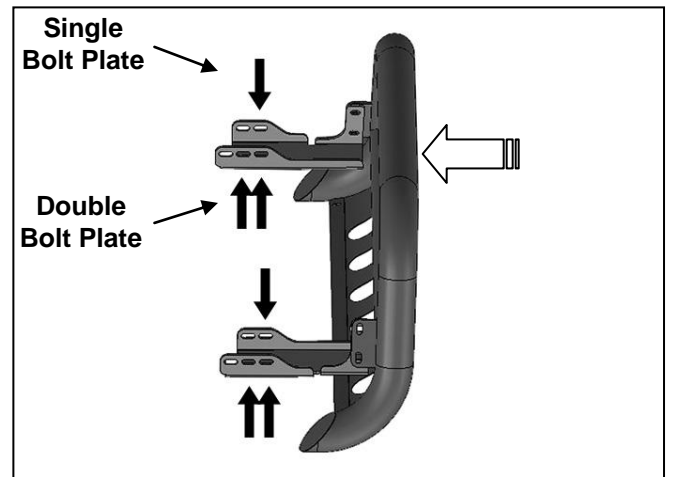
(Fig 7B) Passenger Bracket installed in "forward" position to move Bull Bar away from bumper

**WB016127 3" BULL BAR**  
 2007-17 CHEVY SILVERADO1500/GMC SIERRA1500  
 2007-17 TAHOE/SUBURBAN/YUKON/YUKON XL  
 2007-14 CADILLAC ESCALADE 1500/ESV/EXT  
 2007-13 CHEVY AVALANCHE

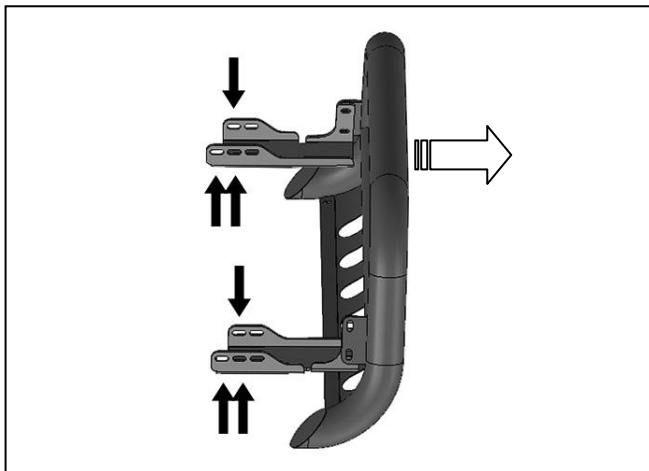
**Driver Side Mounting Bracket Installation Pictured**



**(Fig 7C) Outer driver side Bracket with Single Bolt Plate**

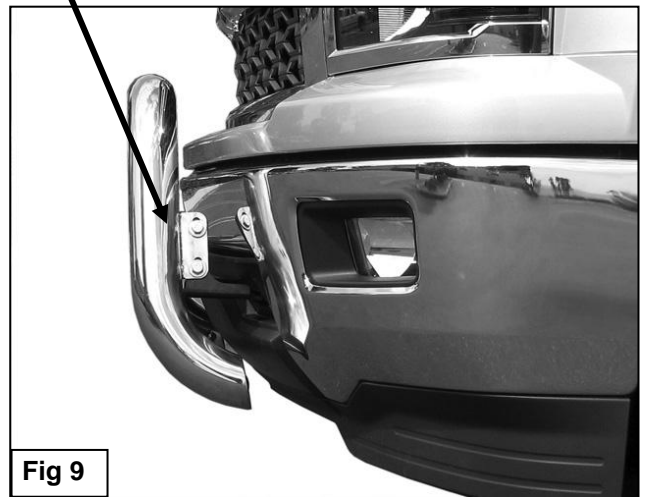


**(Fig 8A) Typical Silverado/Sierra mounting position**



**(Fig 8B) Typical Tahoe/Yukon and Suburban mounting position**

- (2) 10mm x 30mm Hex Bolts
- (4) 10mm Flat Washers
- (2) 10mm Nylon Lock Nuts



**Fig 9**



**Complete Installation**