

INSTALLATION INSTRUCTION

DESCRIPTION: 3" BULL BAR FOR **TACOMA** 05-15

Attention:

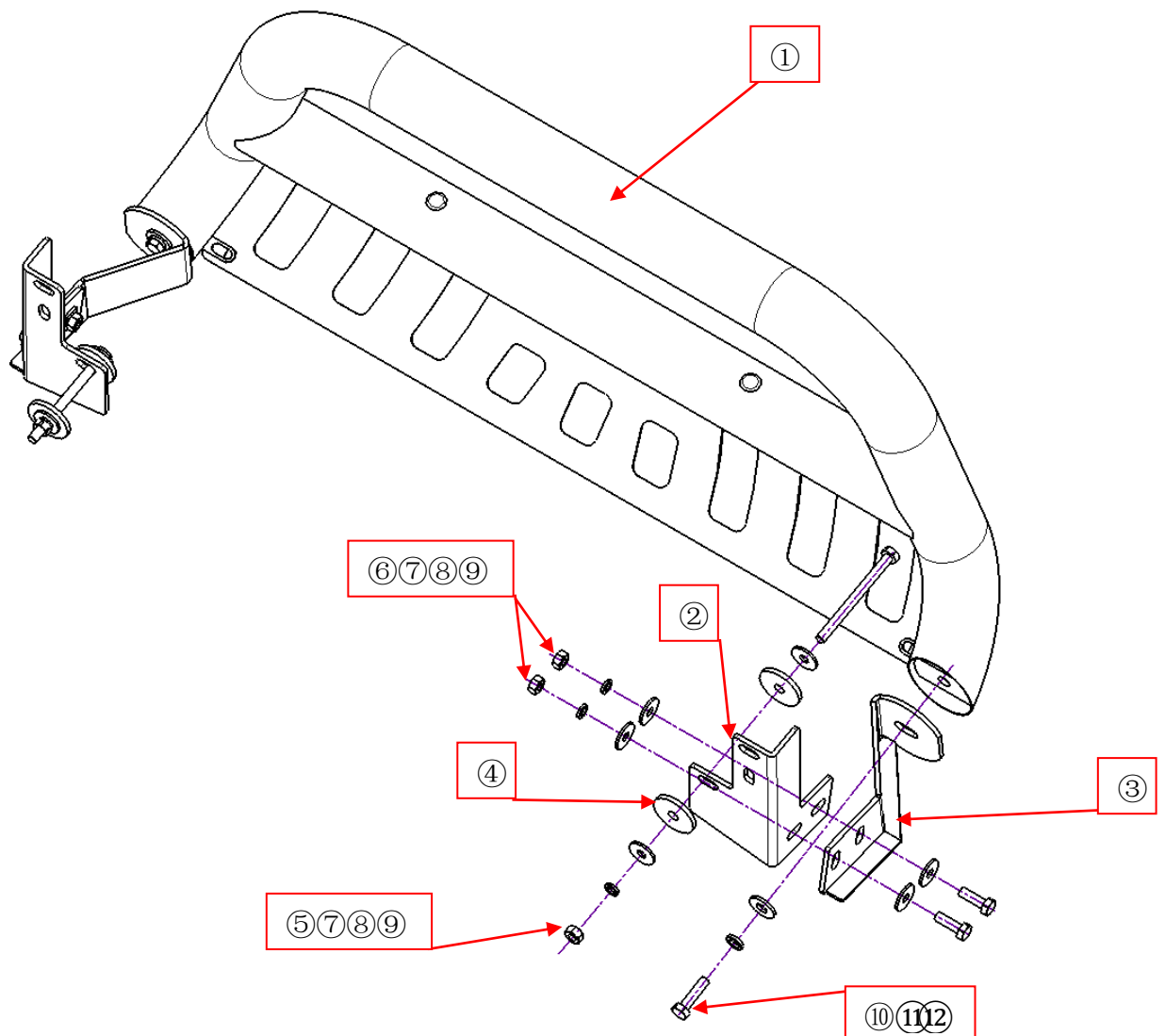
- Please read this installation menu before installing this part. Protect your car properly in case there is any scratch might happen.
- You may need to periodically to re-tighten all hardware for safety use after installation.
- Installation pictures are only for your reference, there might be some differences between pictures and real parts but no affection for your fitting.

PART LIST

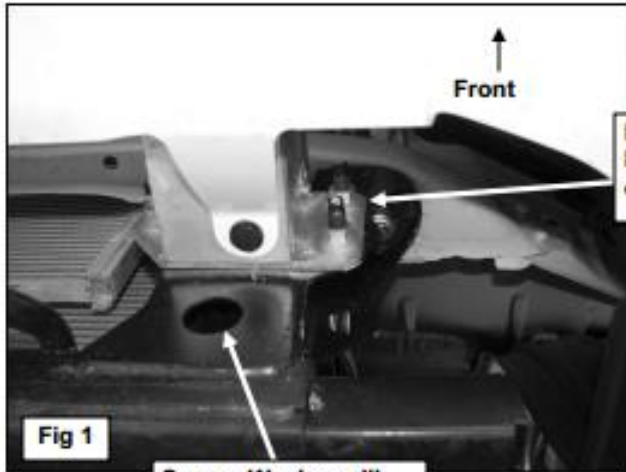
| NO | NAME | QTY | REMARK | NO. | NAME | QTY | REMARK |
|----|-----------------|-----|---------|-----|---------------|-----|-------------|
| ① | Bull Bar | 1 | | ⑦ | LARGE WASHER | 12 | φ 10*30*3.0 |
| ② | Bracket | 2 | | ⑧ | SPRING WASHER | 6 | φ 10 |
| ③ | Bracket | 2 | | ⑨ | HEXAGON NUT | 6 | M10 |
| ④ | THICKEN WASHER | 4 | | ⑩ | HEXAGON BOLT | 2 | M12*40 |
| ⑤ | HEXAGON BOLT | 2 | M10*120 | ⑪ | LARGE WASHER | 2 | φ 12*30*2.5 |
| ⑥ | HEXAGON BOLT | 4 | M10*30 | ⑫ | SPRING WASHER | 2 | φ 12 |

REMARK: It is the same installation for left and right bracket.

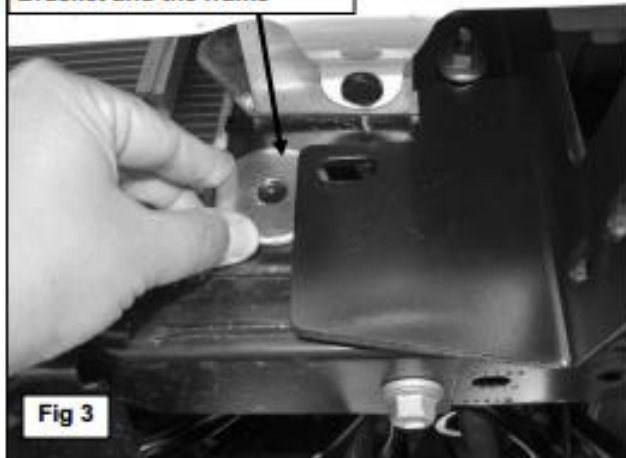
INSTALLATION PICTURE



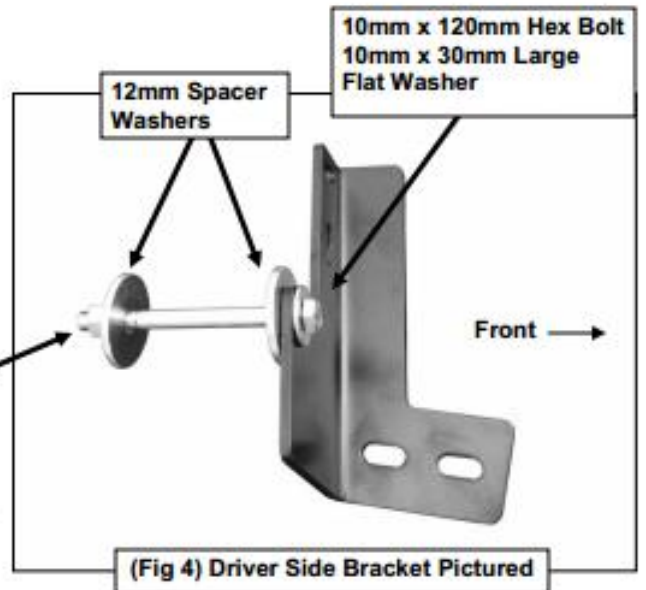
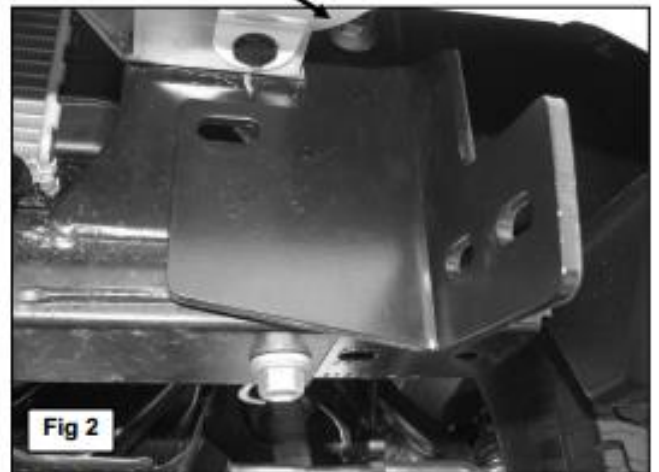
Driver Side Installation Pictured



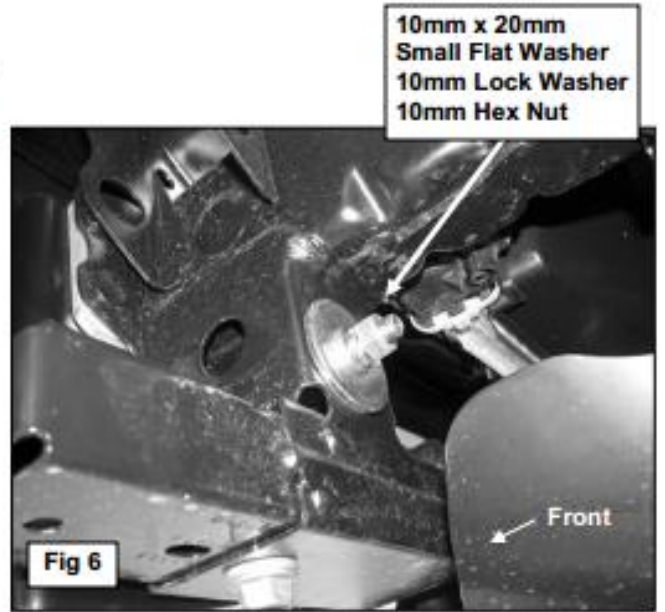
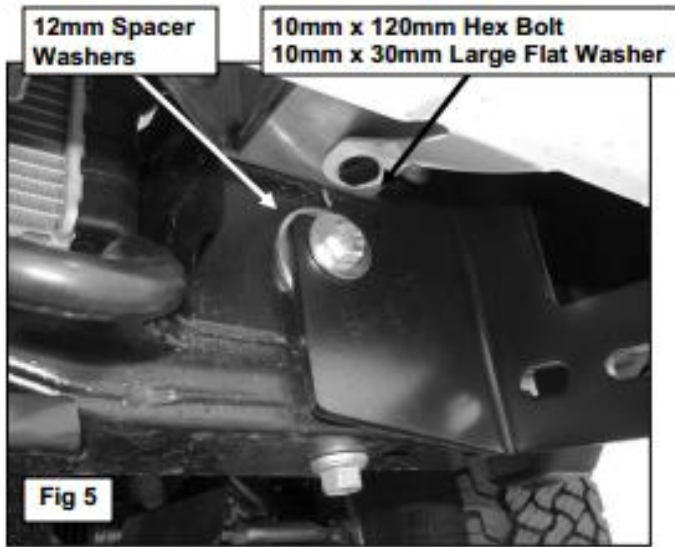
Insert 12mm Spacer Washer between the Mounting Bracket and the frame



10mm x 20mm Small Flat Washer
10mm Lock Washer
10mm Hex Nut



Driver Side Installation Pictured



Disclaimer: Caused due to improper installation initiates some related problem and losses, are beyond our company's quality assurance.