



Tools required:

- 19mm Socket & Ratchet
- T-55 Torx Bit Philips screwdriver
- 19mm Combination Wrench
- Wiring Harnesses

Please read the manual before the installation. If you can not replace the bumper by yourself, better to get some professional help. The manufacture holds no responsibility for any personal injury or damage sustained to vehicle during installation or use of this product.

Introduction:

Material: Manufactured from 5/32" mild steel plating and 2"x0.120" tubing.

Finish: Two stage finish using E-Coat pre-coating and high-grade textured black coat. powder coating for long lasting corrosion resistance.

D-rings capacity: 4.75t.

Winch location supports up to 12,000 lbs winch.

Application: The front bumper is specifically designed for using on 1987-2006 Jeep Wrangler YJ and TJ models.

Fitment: 1987 1988 1989 1990 1991 1992 1993 1994 1995 1996 1997 1998
1999 2000 2001 2002 2003 2004 2005 2006

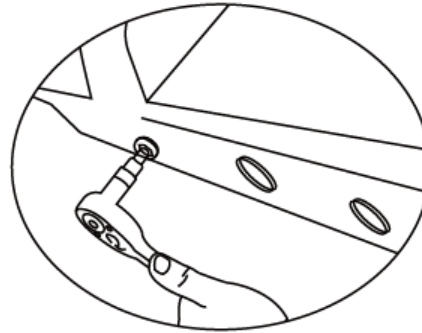
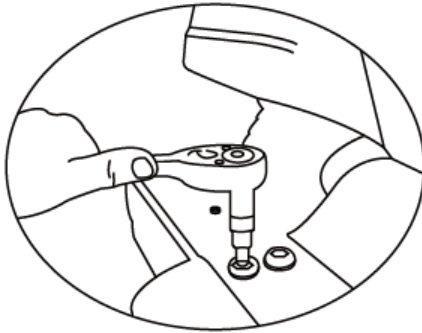
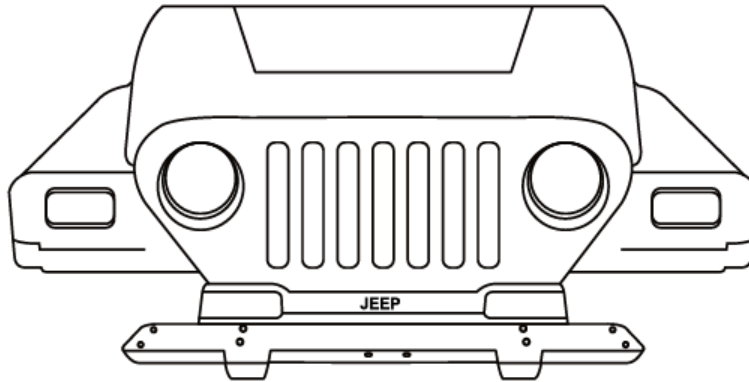
What's in the box?

- A : BumPer ×1
 - B : Round LED Lights × 2
 - C : D-Rings × 2
 - D : M12 Hex Screws × 6
 - E : M12 Spring Washer × 6
 - F : M12 Flate Washer × 6
- (Attached a few hardware as a backup)

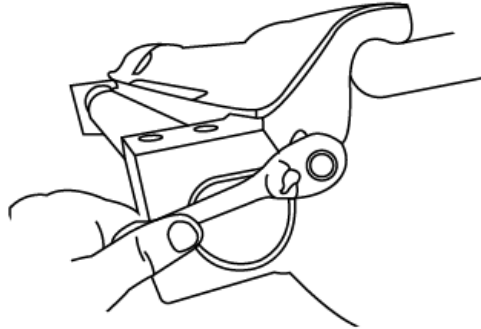
Installation Guides:

STEP 1: Remove OE bumper

1) Using the T-55 torx bit, remove the four upper bolts. Using the torx bit again, remove the two lower bolts. Grab both sides of your bumper and remove.



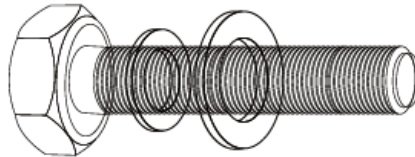
2) Using a 10mm socket, remove bolts on sides of sway bar cover and remove cover.



STEP 2: Install the new bumper.

1) Take your new bumper and slide onto frame rails. Position the Washer plate and Support Plate as below.

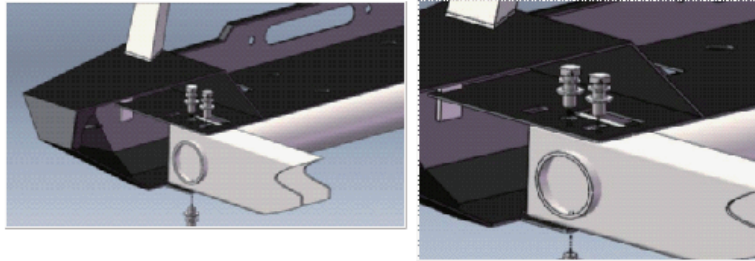
2) Stack washers onto bolts with the spring washer going on first.



3) Install bolts into bottom mounting points first; Leave bolts loose enough to spin washers.

4) Install remaining bolts into upper mounting points, leave loose until all bolts have been threaded. After all bolts have been threaded, tighten all six bolts.

5) Install the D-Rings.



Note:

- 1) To prevent damage, do not contact the lights with any metal or sharp tools.
- 2) Please pay attention to avoiding the wires been stuck during the installation.