

CEETSS-0057

Tools Required

13mm Socket

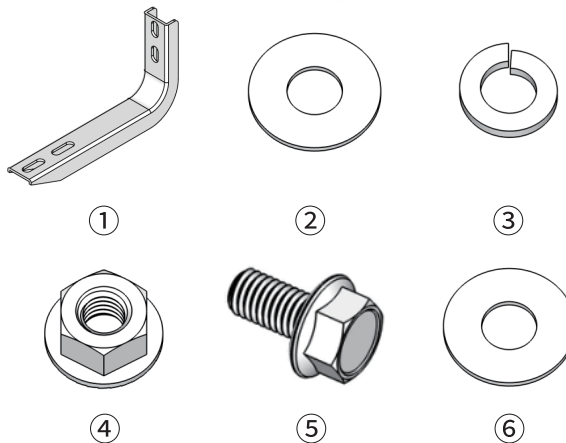
Ratchet

Torque Wrench



Part List:

	Qty.	Description
①	×6	Mounting Bracket
②	×12	M8 Flat Washer
③	×12	M8 Lock Washer
④	×12	M8 Hexagon Nut
Pre-Installed on Step Bar		
⑤	×12	M8 Hexagon Bolt
⑥	×12	M8 Flat Washer

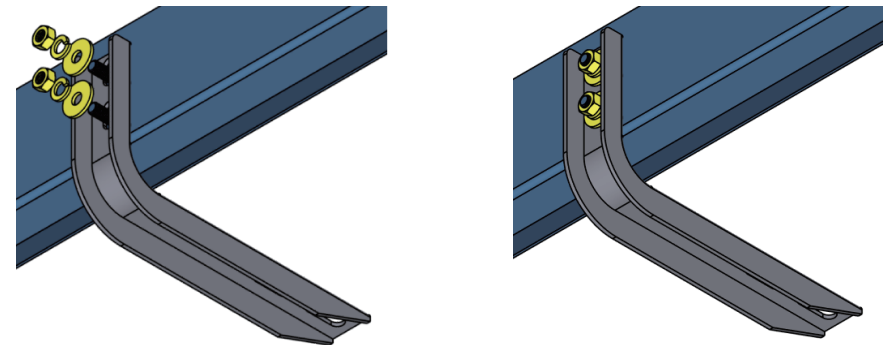


Step 1:

1. Locate (3) mounting positions on each side inner rocker panel.
2. Clean the factory studs on inner rocker panel.

Step 2:

1. Attach bracket to factory studs on inner rocker panel.
2. Secure the bracket to inner rocker panel using (2) M8 flat washers, (2) M8 lock washers, (2) M8 hex nuts.
3. Repeat to install other brackets. Torque M8 hex nuts to 15 ft lbs.



Step 3:

1. Remove (6) M8 hex bolts and (6) M8 flat washers under the step bar.
2. Slide mounting tracks to proper positions.
3. With assistance, lift and attach the step bar to brackets. Secure the step bar on brackets using (6) M8 hex bolts and (6) M8 flat washers.
4. Repeat to install the other side step bar. Torque M8 hex bolts to 15 ft-lbs.

