

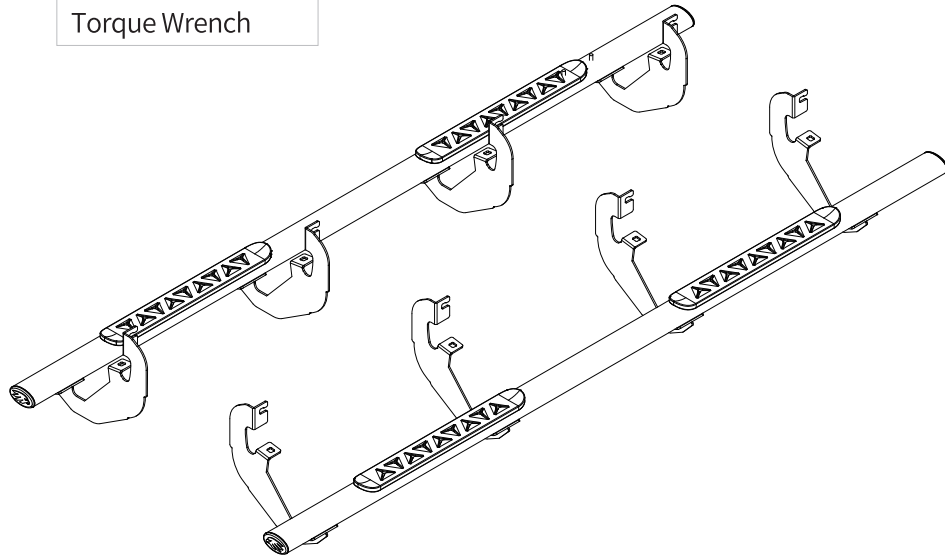
**Tools Required**

13mm Socket

Ratchet

Torque Wrench

**CEETSS-0053**



**Notes**

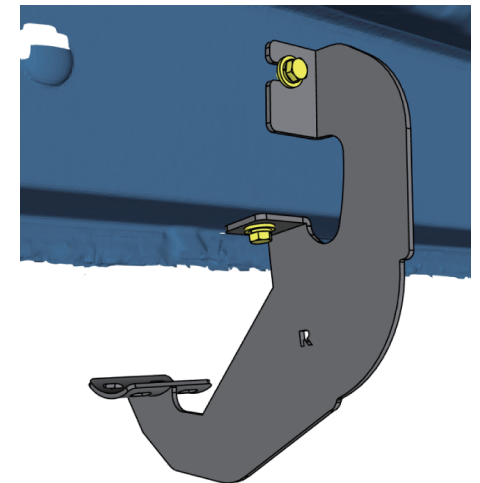
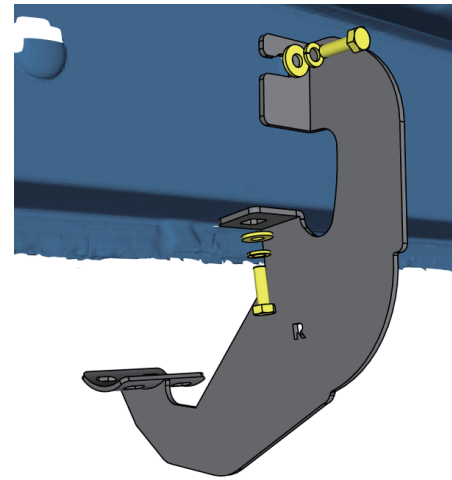
Read this instruction carefully before starting installation.  
 Proper tools will improve the quality of installation and reduce the time required.  
 If missing parts or any damage found, please take a picture, and contact us.

**Step 1:**

1. Locate (4) mounting positions on each side inner rocker panel.
2. Clean the sealant and dirt around mounting positions.
3. Remove rubber plugs and clean factory threaded inserts.

**Step 2:**

1. Attach the bracket to the thread inserts on inner rocker panel.
2. Secure the bracket to inner rocker panel with (2) M8 hex bolts, (2) M8 lock washers, (2) M8 flat washers.
3. Repeat to install remaining brackets, do not fully tighten.



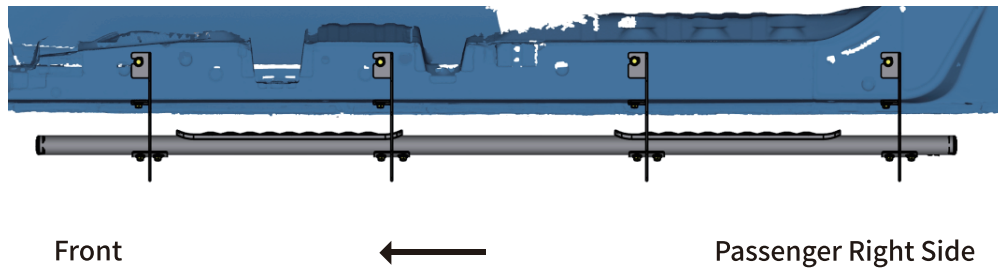
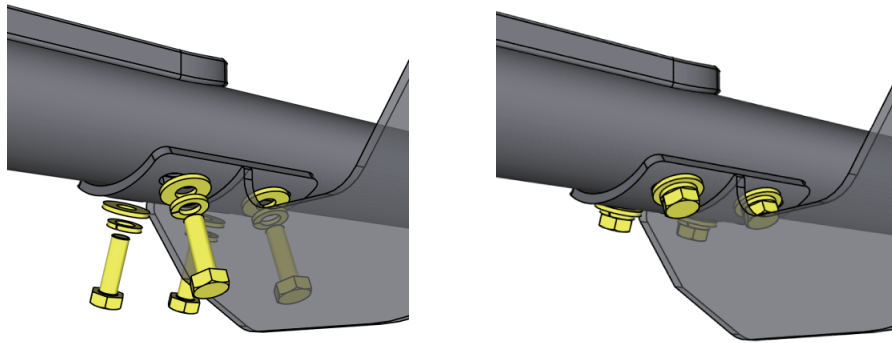
Front



Passenger Right Side

Step 3:

1. With assistance, lift and place the step bar to the brackets.
2. Secure the step bar on brackets with (12) M8 hex bolts, (12) M8 flat washers, (12) M8 lock washers.



Step 4:

1. Tighten M8 hex bolts on vehicle with 15 ft-lbs. torque.
2. Adjust the step bar to level and tighten M8 hex bolts with 15 ft-lbs. torque.
3. After the step bar installed, periodic check to ensure all mounting hardware remains secure and tight.

Part List:

	Qty.	Description
①	×4	Driver Left Side Bracket
②	×4	Passenger Right Side Bracket
③	×48	M8×30 Hexagon Bolt
④	×48	M8×20 Flat Washer
⑤	×48	M8 Lock Washer

