

**2007-2018 Chevrolet Silverado GMC Sierra Double Cab GAS Engine
2019 Chevrolet Silverado Legacy GMC Sierra Classic Double Cab GAS Engine**

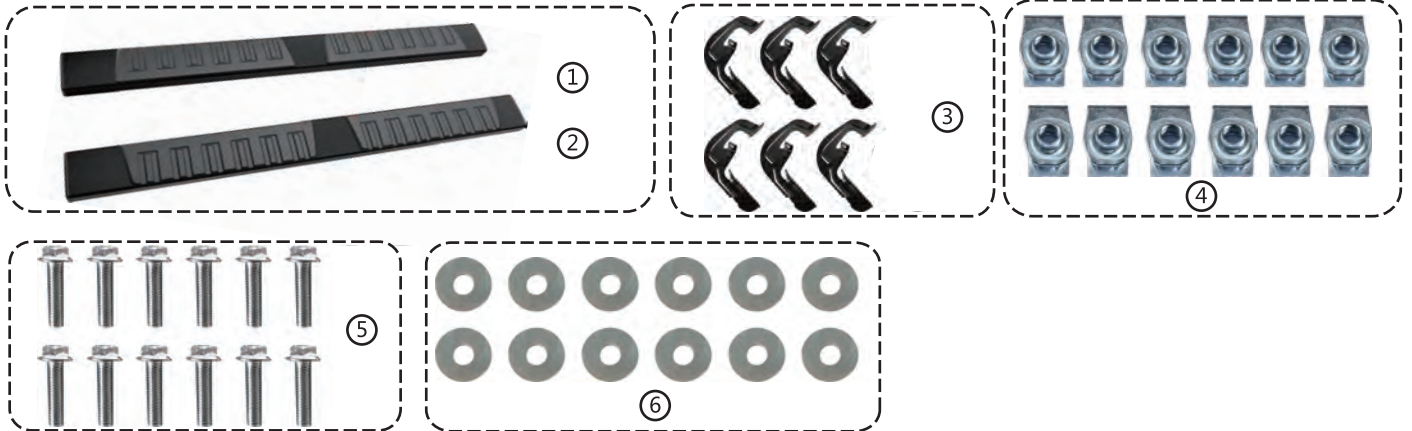
Attention:

- Please read this installation menu before installing this part. Protect your car properly in case there is any scratch might happen.
- You may need to periodically to re-tighten all hardware for safety use after installation.
- Installation pictures are only for your reference, there might be some differences between pictures and real parts but no effect for your fitting.
- Please do not tighten the screws before fitting whole brackets, so that you can adjust the fitting hole.



PARTS LIST:

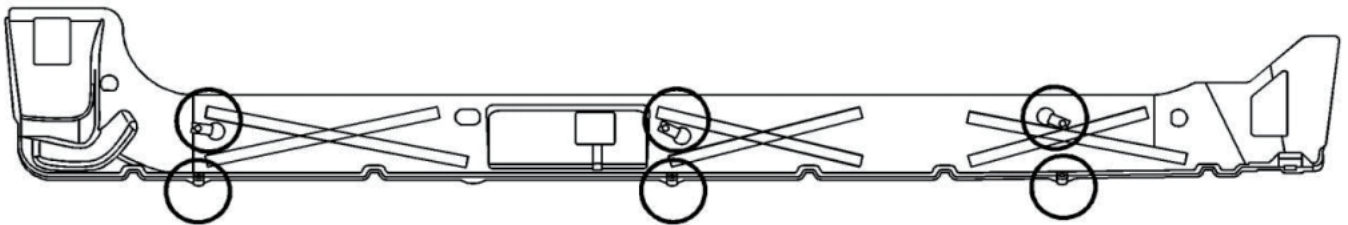
① Left Side Running Board (Driver Side)	X1	④ M8 U-Clip Nut	X12
② Right Side Running Board (Passenger Side)	X1	⑤ M8 Hexagon Bolt	X12
③ Bracket	X6	⑥ M8 Flat Washer	X12



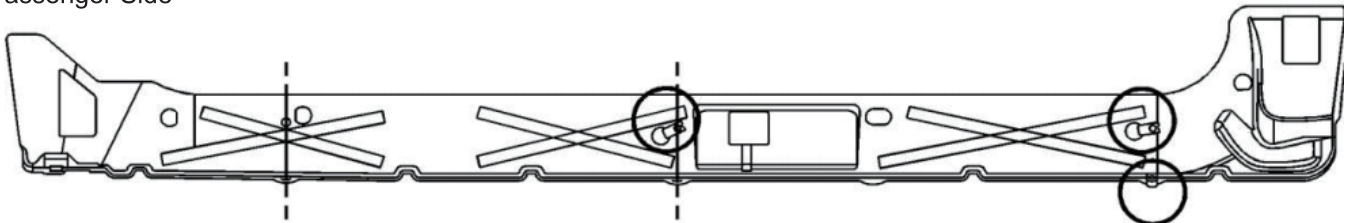
STEP 1

Locate Mounting Position

Driver Side



Passenger Side



Step 1

STEP 2

Insert U-Clip Nuts

☆**For 07-13 models:**

Behind rocker panel, there is not factory threaded hole exist. Insert the U-clip nuts from the larger access hole into the smaller mounting holes and mounting holes on pinch weld.

☆**For 14-18 and 19 classic models:**

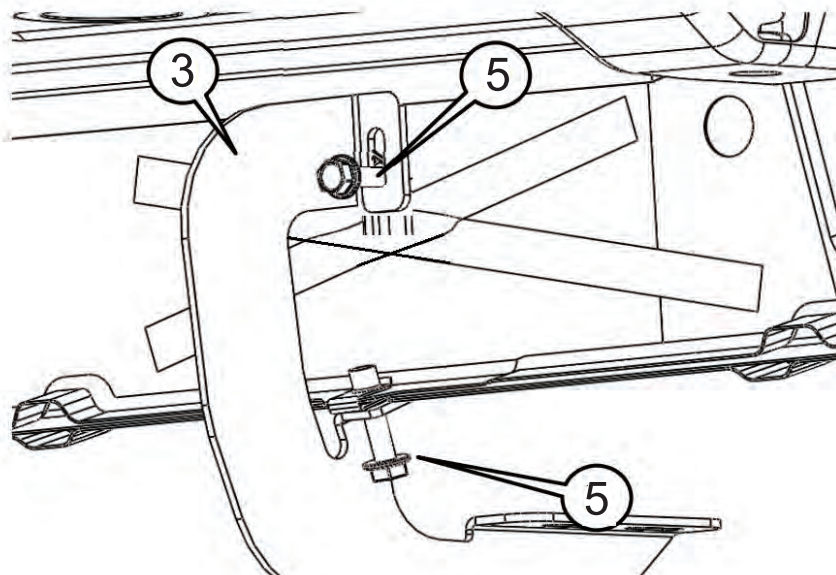
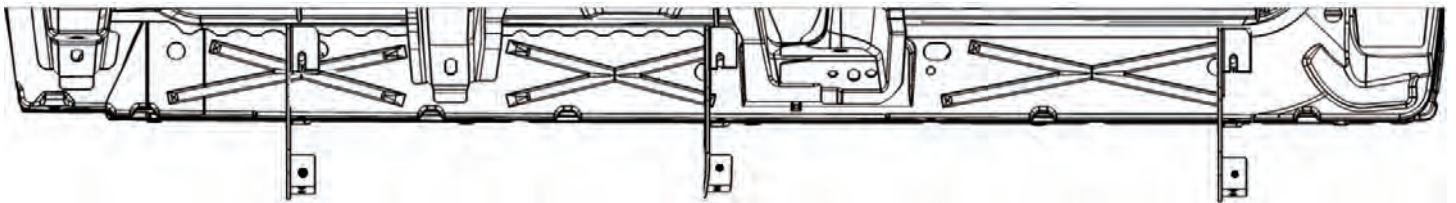
Use the factory thread holes directly and insert U-clip nuts to unthreaded holes and mounting holes on pinch weld.

STEP 3

Install Brackets

- ☆Add M8 flat washers on M8 hex bolts.
- ☆Attach bracket on rocker panel, line up both mounting holes.
- ☆Snug on M8 bolt sets. Do not fully tighten.
- ☆Repeat to install remaining brackets.

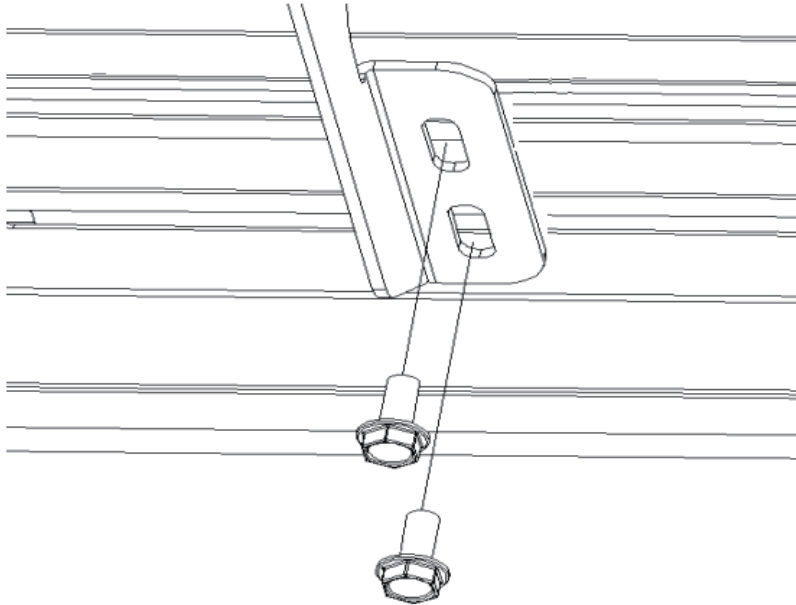
Passenger Side as Example



STEP 4

Assemble Running Board

- ☆ Remove all M8 hex bolts from running board, 8 bolts each side.
- ☆ Carefully place running board onto brackets.
- ☆ Slide the mounting tracks, align the tracks mounting holes with the slots on each bracket.
- ☆ Secure the mounting tracks by M8 hex bolts.



STEP 5

Tighten and check

- ☆ Tighten all the bolts. Tighten bolts on vehicle first and then the step bar.
- ☆ When the running boards installed, periodic check to ensure all mounting hardware remains secure.

Steps for reference

- ☆ Log into your My account.
- ☆ Go to My account, select Purchases and find this order.
- ☆ Click on "Contact Seller"

Thank you for selecting our Running Board.
Your new running board are custom molded to fit your specific vehicle.