



YITA Motor

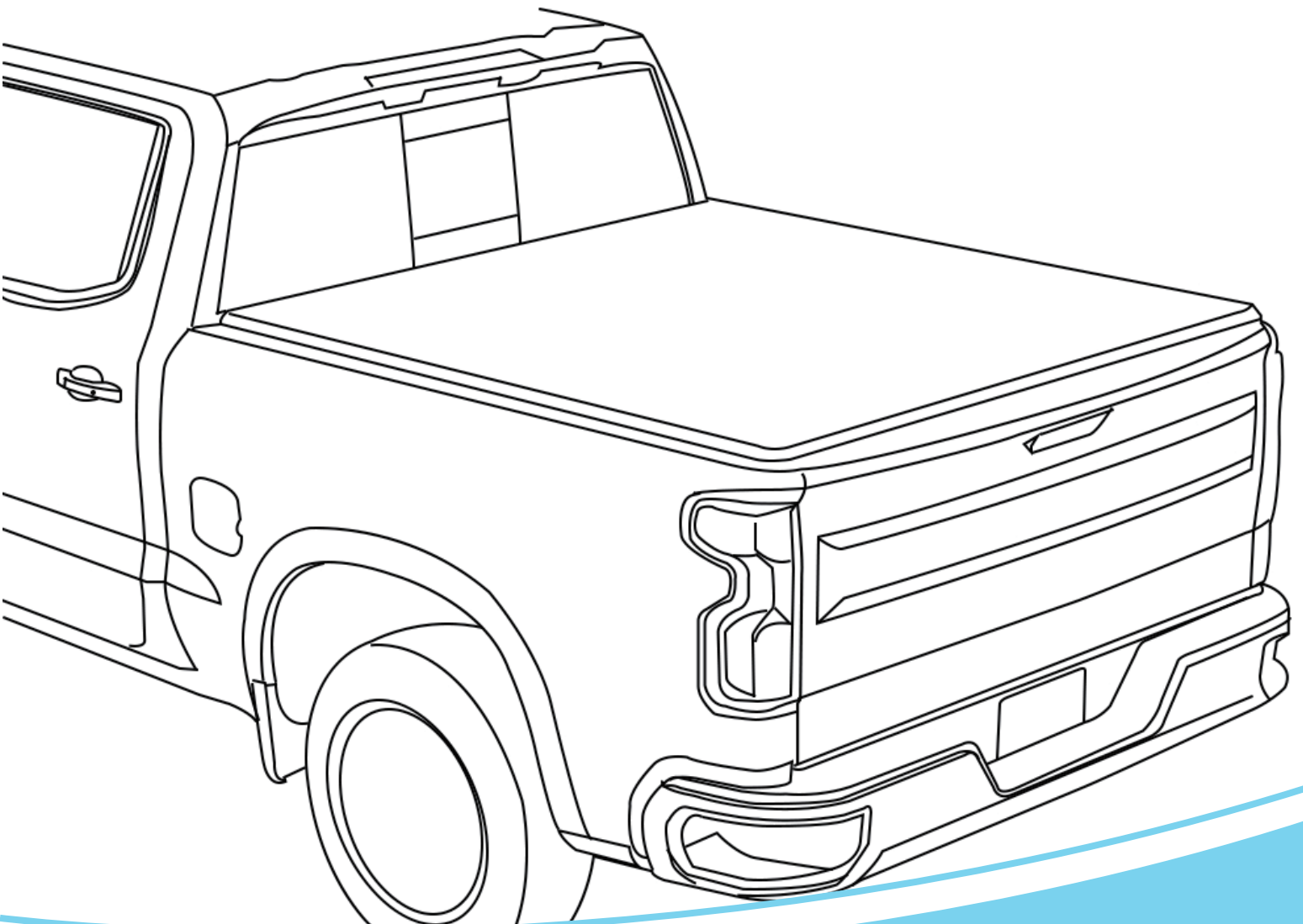
Soft Tri-fold Truck Bed Tonneau Cover

MISSING PARTS?

Contact us directly for ANY problems

🌐 : <https://www.amazon.com/yitamotor>

✉ : service@yitamotor.com



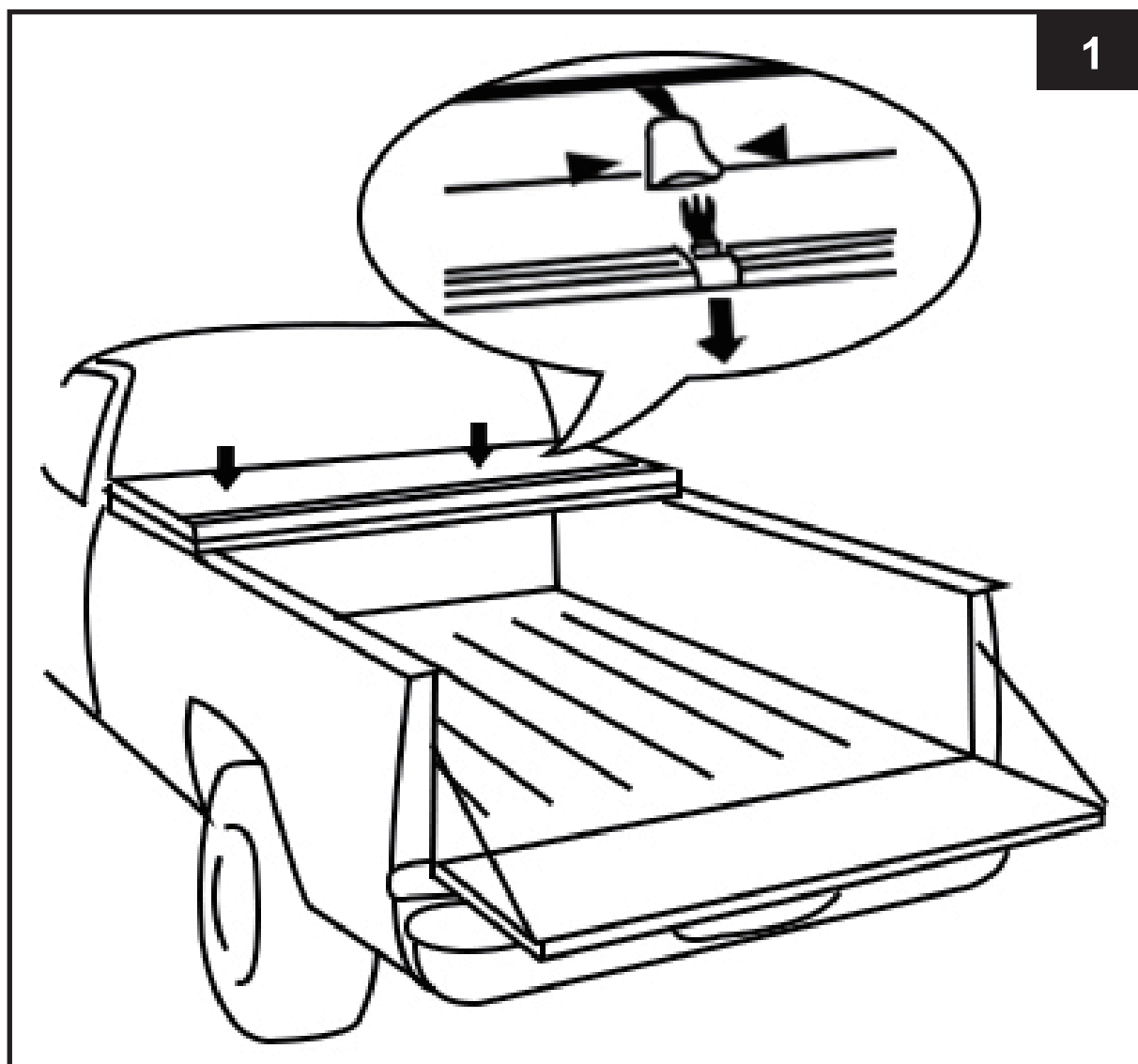
PARTS LIST :

Assembled Tri-fold Cover	1pc
Locking Pin	2pcs
Storage Bag	1pc
Nitrile Gloves	1pair
Installation Sheet	1pc

INSTALLATION MANUAL

STEP 1

Clean truck bed thoroughly and place assembled cover over cab end of truck box.



STEP 2

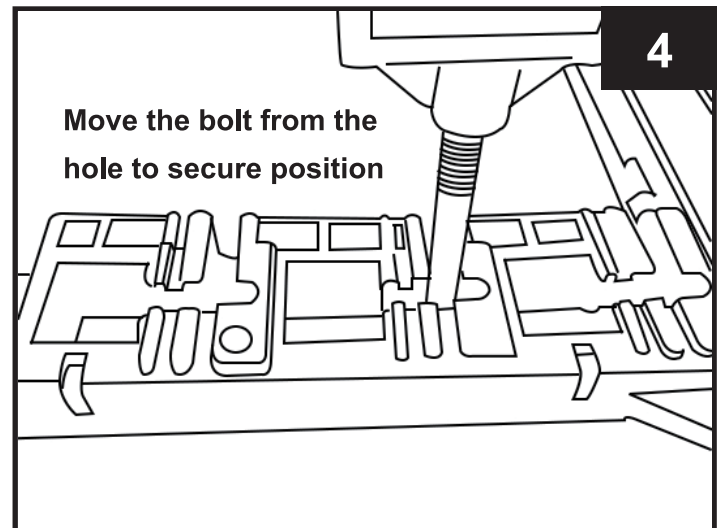
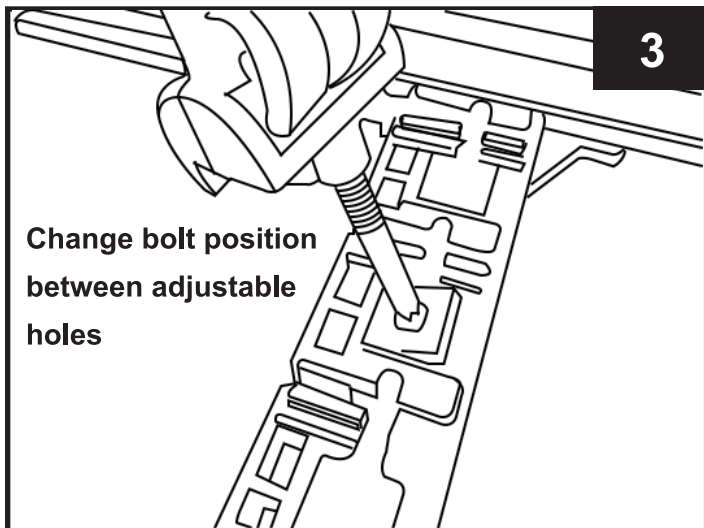
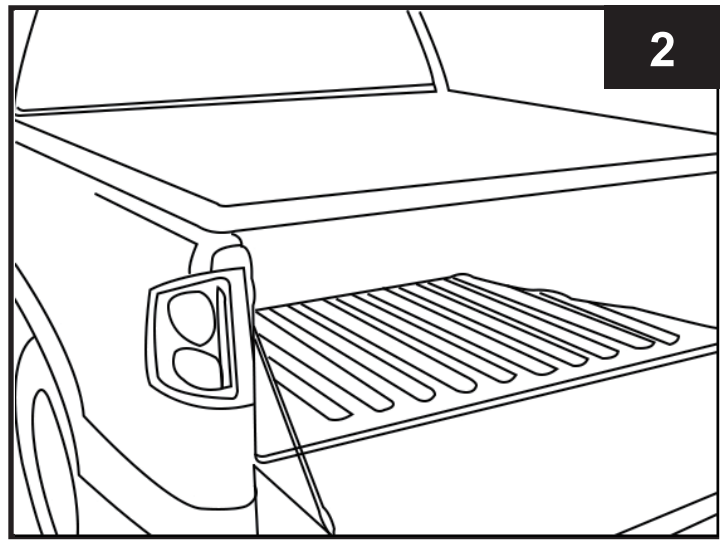
Un-buckle the safety straps. Then unfold the cover fully and adjust position over the truck bed for proper alignment on cab/tail.

STEP 3

Carefully refold the cover without shifting its position on the truck bed.

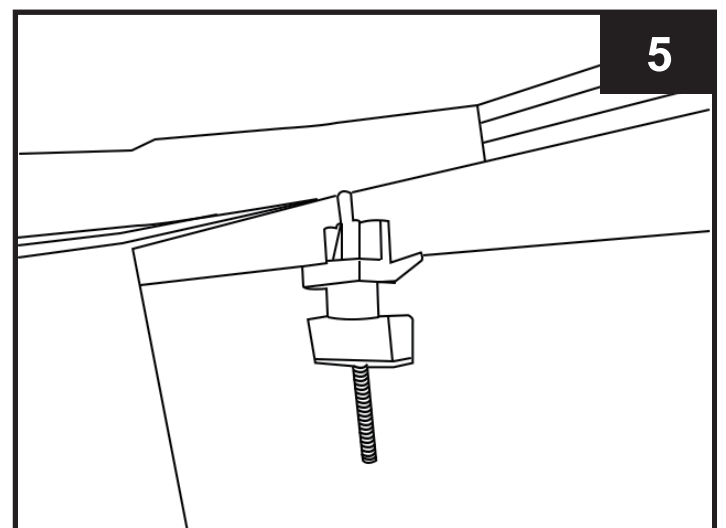
STEP 4

Before secure the clamps, adjust the clamp bolt to a proper adjustable hole on the crossbar. There are three adjustable holes, take off the bolt from one hole to put in another proper one, and move the bolt to the Secure Position.



STEP 5

Secure the Front Clamp Knobs (left and right) by pulling the clamp Knob down to clamp the metal bed wall edge of truck and screw on the knob to ensure the clamp is tightly clamped on the metal bed wall edge of truck. Do not secure to only lip of bedliner or rail cap.

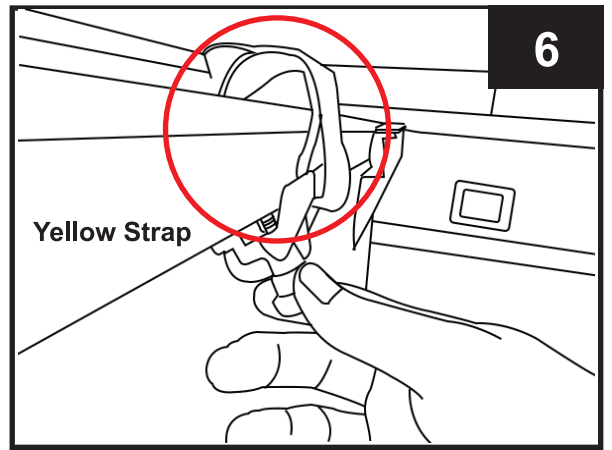


STEP 6

When the front clamps are secured, install the safety strap (see the photos).

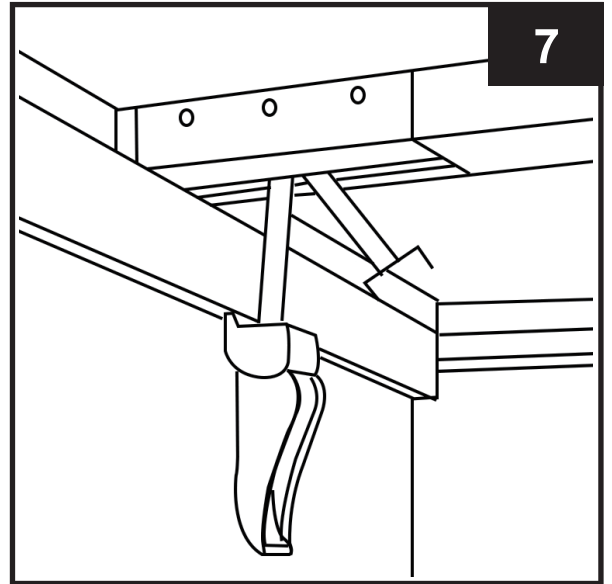
Tighten the knob of the safety straps.

PS: Nissan and Toyota tonneau cover without the safety strap, because of the Utility Track Channel.



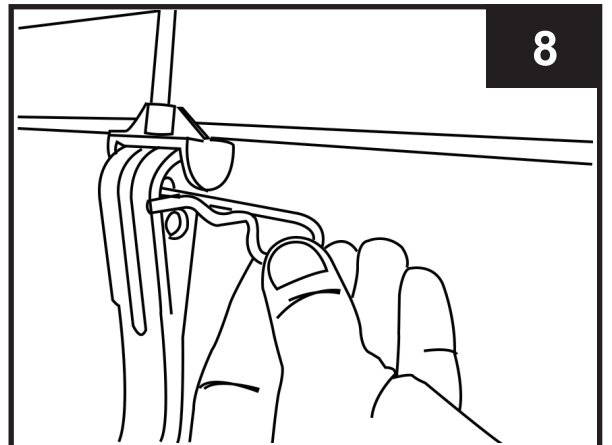
STEP 7

Secure the Rear Clamps (left and right) by pulling the clamp handle down to clamp the metal bed wall edge of truck. Note: If necessary, adjust the clamp position by rotating the clamp on the bolt to ensure the clamp is tightly clamped on the metal bed wall edge of truck. Do not secure to only lip of bedliner or rail cap.



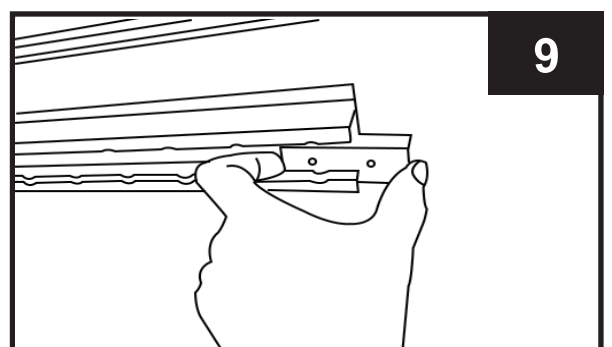
STEP 8

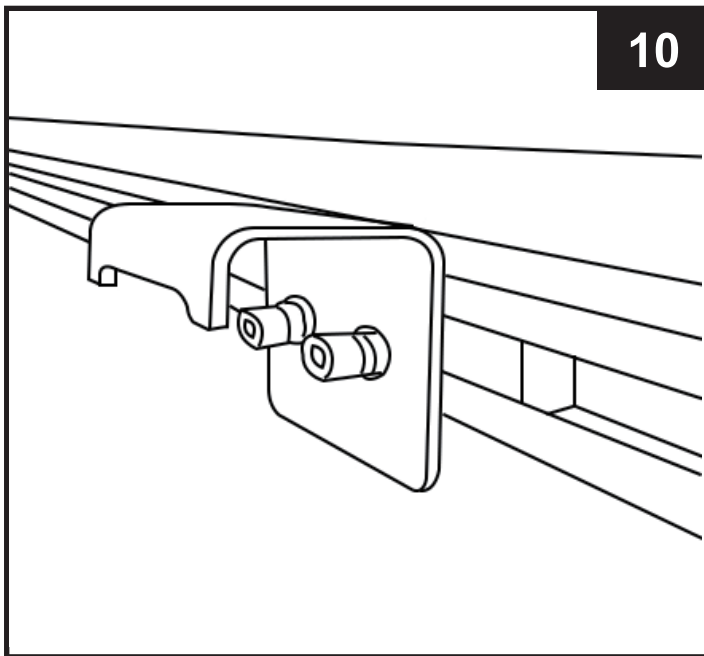
Insert locking pins into Rear clamps



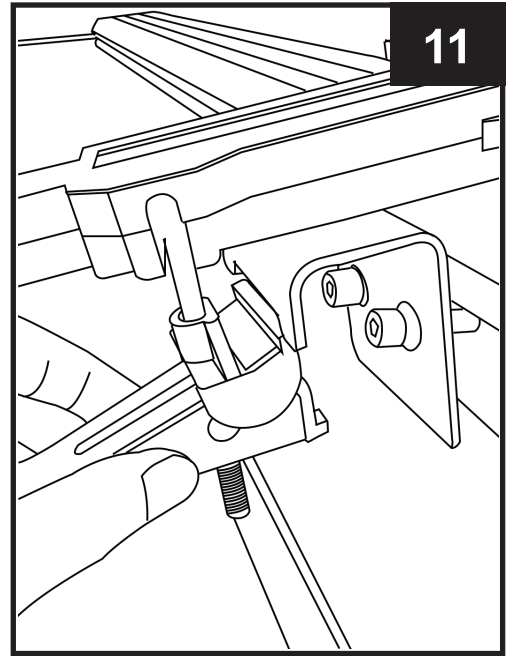
Nissan/Toyota Trucks (with Utility Track channel) only

*Slide the retainer plates into the side channels on the vehicle bed. (2 per side, 1 goes in front and 1 in back)





***Attach the clamp bracket to the plate with the included Allen head bolts.**

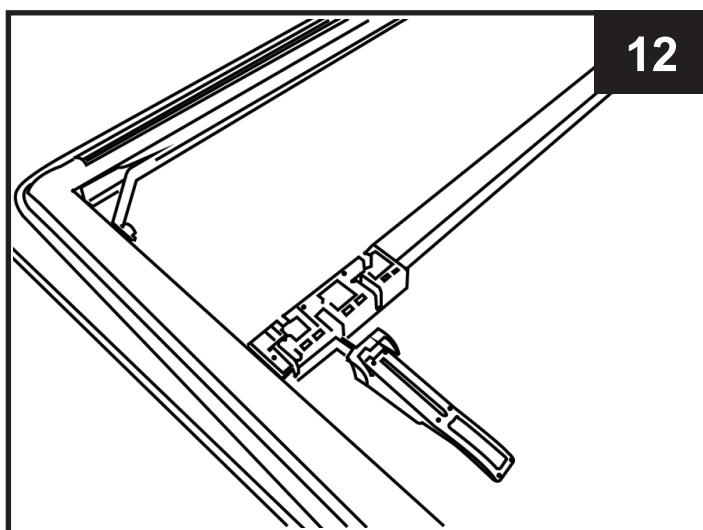


***Line the bracket up with the tri-fold cover clamp location once they are lined up. Secure bracket to the vehicle bed rail.**

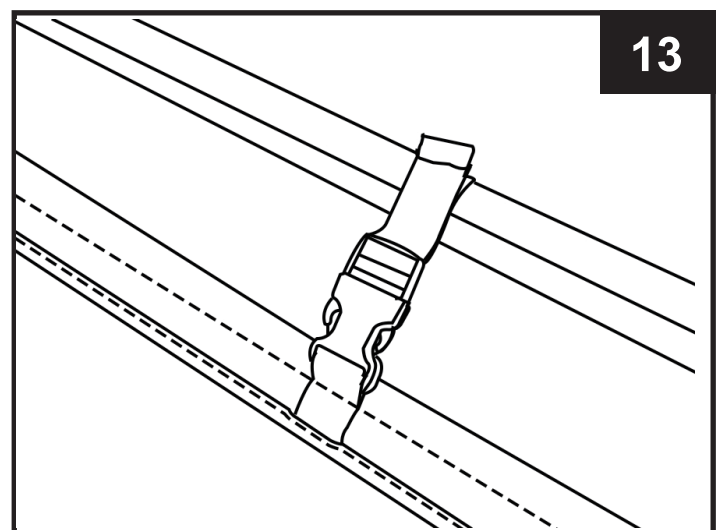
***Secure Tri-fold Cover latches (Front Clamp Knobs and Rear Clamps) to these brackets.**

To open the cover:

Release the rear clamps, fold the cover forward.



Note 1): when folding the cover, make sure to lock the rear clamps into the cross bar.



Note 2): When cover is folded completely, secure the folded cover by fastening the straps with buckles together. Pull the straps to tighten the folded cover tightly.



YITA Motor

Attention:

- ▶ Never Drive with a cover in partially opened position. When driving, cover must be secured with 4 clamps or completely folded up and secured by front clamps and buckles.
- ▶ Do not overload cargo or place sharp objects in contact with cover.
- ▶ Safety clamps provide additional security, but they do not replace front clamps.